

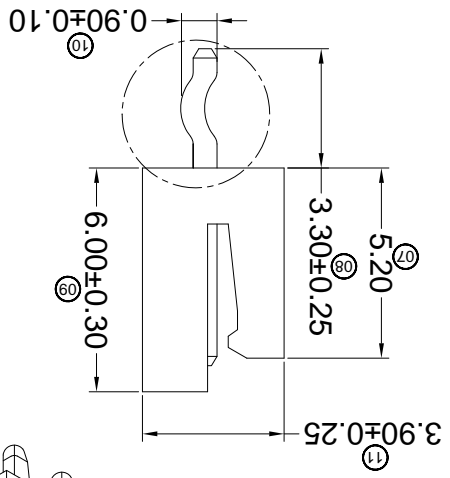
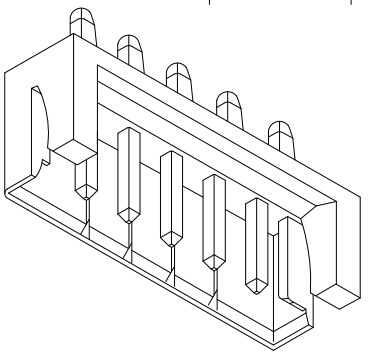
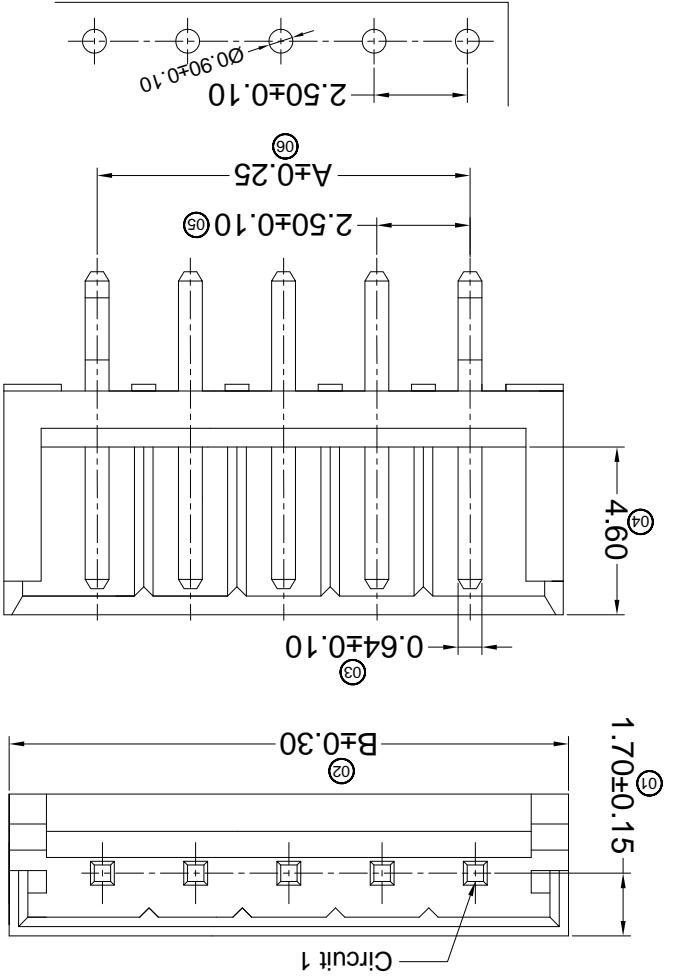
For and on behalf of  
**XKB INDUSTRIAL PRECISION CO., LIMITED**  
 香港星坤工業精密有限公司

Revisions  
 (Unauthorized Signature(s))

| MARK | DESCRIPTION | DATE | REVISED | APPROVED | UNSPECIFIED TOLERANCES |
|------|-------------|------|---------|----------|------------------------|
| △ X  |             |      |         |          | L > 63<br>± 0.5        |
| △ X  |             |      |         |          | 16 < L ≤ 63<br>± 0.4   |
| △ X  |             |      |         |          | 4 < L ≤ 16<br>± 0.3    |
|      |             |      |         |          | L ≤ 4<br>± 0.2         |
|      |             |      |         |          | ANGULAR<br>± 5°        |

| PART NO          | Material          | Material(Pin) | Finish(Pin) | Mates With XKB Housing |
|------------------|-------------------|---------------|-------------|------------------------|
| X2581WV-XXX-N0SN | Nylon 66 UL 94V-0 | Brass         | Tin-Plated  | X2581H                 |

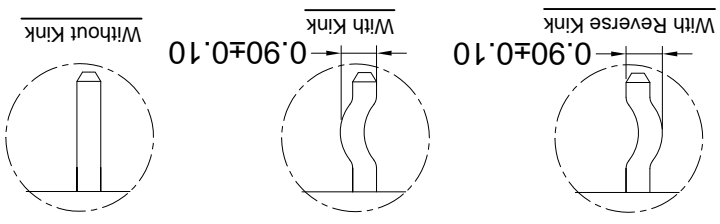
**Recommend PCB Layout**



- ① Series No.  
 ② Category: W-Water  
 ③ Welding Board Angle: V-180°; R-90°  
 ④ Welding Way: Blank-DIP: S-SMT  
 ⑤ Row No.-Pin No.: XX-Single Row; 2\*XX-Double Row  
 ⑥ Plug the Pin & Special No.: Blank-With Kink  
 ⑦ A-Without Kink; B-With Reverse Kink  
 ⑧ Material: NO-PA66 94V-0  
 ⑨ Plating Category: G\*\*-Gold Plated Contact  
 V\*\*-All Gold-Plated  
 01-Gold Flash 02-2u" 03-3u"  
 05-5u" 10-10u" 15-15u"  
 SN-Bright Tin Plating (70u")  
 SN1-Bright Tin Plating (120u" Min.)  
 0-No Plating Material  
 SW-Fog Tin Plating  
 HS-Hight temperature Tin  
 ◎ Color: Blank-Natural Color

X2581 W V X- XX X-N0 SN XX

| Dimensions (mm) | A  | B     |
|-----------------|----|-------|
| Poles           | 02 | 7.50  |
|                 | 03 | 5.00  |
|                 | 04 | 7.50  |
|                 | 05 | 10.00 |
|                 | 06 | 12.50 |
|                 | 07 | 15.00 |
|                 | 08 | 17.50 |
|                 | 09 | 20.00 |
|                 | 10 | 22.50 |
|                 | 11 | 25.00 |
|                 | 12 | 27.50 |
|                 | 13 | 30.00 |
|                 | 14 | 32.50 |
|                 | 15 | 35.00 |
|                 |    | 40.00 |



- **Specifications:**
- Voltage rating: 250V AC / DC
  - Current rating: 3A AC / DC
  - Withstanding voltage: 800V AC/minute
  - Temperature range: -25°C~+85°C
  - Insulation resistance: ≥1000MΩ
  - Contact resistance: ≤10mΩ
  - After environmental testing: ≤20mΩ

| DSND | DATE | SCALE: N/A | MODEL TYPE:                    |
|------|------|------------|--------------------------------|
|      |      |            | X2581WV-XXX-N0SN               |
| DWN  | DATE | VIEW:      | PART NO.:                      |
|      |      |            | 2.50 mm Crimp Style connectors |
| CHKD | DATE | UNIT: mm   | DWG NO.:                       |
|      |      |            |                                |
| APPD | DATE | SIZE: A4   | REVISION                       |
|      |      |            | 1/1                            |
|      |      |            | WEIGHT 1.0g                    |
|      |      |            | SHEET                          |
|      |      |            | A0                             |

## X-ON Electronics

Largest Supplier of Electrical and Electronic Components

*Click to view similar products for [Headers & Wire Housings](#) category:*

*Click to view products by [XKB](#) manufacturer:*

Other Similar products are found below :

[95000-104TRLF](#) [10135584-644402LF](#) [DF62W-EP2022PCA](#) [95000-106TRLF](#) [DF62W-2022SCA](#) [DF62W-EP2022PC](#) [2203348](#) [DF62W-2022SC](#) [1084018](#) [1029039](#) [1084017](#) [802-10-012-10-002000](#) [1112640](#) [1112639](#) [891-007-9SS-BST1T](#) [000-34000](#) [0008550134](#) [0009482033](#) [0009507031](#) [57102-F02-18ULF](#) [57102-S06-03LF](#) [57202-S52-04LF](#) [PCN6-15S-2.5E](#) [0039019024](#) [58102-G61-06LF](#) [582553-1](#) [0009485154](#) [0009508121](#) [0022285053](#) [0050291907](#) [018731A](#) [LY20-4P-DT1-P1E-BR](#) [02.125.8002.8](#) [60101931](#) [60598-1 \(Cut Strip\)](#) [M1625-3R/100](#) [61062-3](#) [61082-181009](#) [CSU011177004](#) [636-1427](#) [638009-1](#) [641938-9](#) [641991-4](#) [644168-1](#) [644827-2](#) [647662-1](#) [65039-019ELF](#) [65692-001LF](#) [65781-018](#) [65781-047](#)