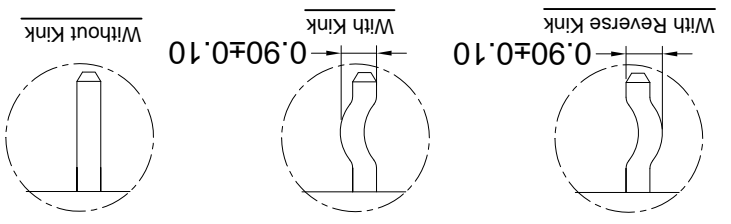
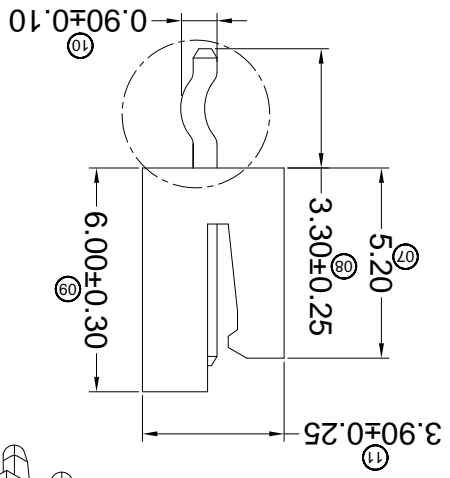
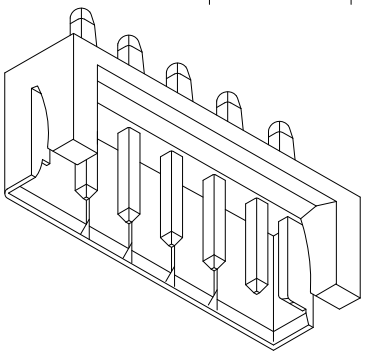
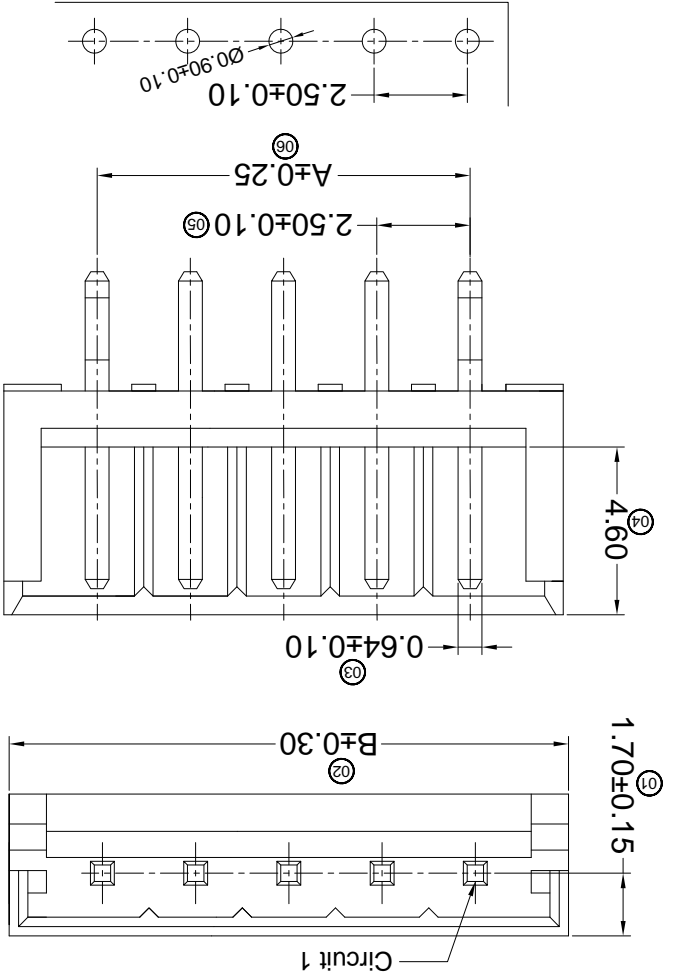


REVISIONS		APPROVED		REVISED		DATE		DESCRIPTION		MARK	
UNSPECIFIED TOLERANCES		L > 63		16 < L ≤ 63		4 < L ≤ 16		L ≤ 4		± 0.2	
± 0.5		± 0.4		± 0.3		± 0.2		ANGULAR		± 5°	

X2581WV-XXX-N0SN		Nylon 66 UL 94V-0		Brass		Tin-Plated		Mates With XKB Housing		PART NO	
X2581H										X2581WV-XXX-N0SN	

Recommend PCB Layout



- Specifications :
- Voltage rating: 250V AC / DC
 - Current rating: 3A AC / DC
 - Withstanding voltage: 800V AC/minute
 - Temperature range: -25°C~+85°C
 - Insulation resistance: ≥1000MΩ
 - Contact resistance: ≤10mΩ
 - After environmental testing: ≤20mΩ

- ① Series No.
- ② Category: W-Water
- ③ Welding Board Angle: V-180°; R-90°
- ④ Welding Way: Blank-DIP: S-SMT
- ⑤ Row No.-Pin No.: XX-Single Row; 2*XX-Double Row
- ⑥ Plug the Pin & Special No.: Blank-With Kink
- ⑦ A-Without Kink; B-With Reverse Kink
- ⑧ Material: NO -PA66 94V-0
- ⑨ Plating Category: G**-Gold Plated Contact
- ⑩ V**- All Gold-Plated
- ⑪ 01-Gold Flash 02-2u" 03-3u"
- ⑫ 05-5u" 10-10u" 15-15u"
- ⑬ SN-Bright Tin Plating (70u")
- ⑭ SN1-Bright Tin Plating (120u" Min)
- ⑮ 0-No Plating Material
- ⑯ SW- Fog Tin Plating
- ⑰ HS-Hight temperature Tin
- ⑱ Color: Blank-Natural Color

Poles		A		B	
Dimensions (mm)		2.50		7.50	
		5.00		10.00	
		7.50		12.50	
		10.00		15.00	
		12.50		17.50	
		15.00		20.00	
		17.50		22.50	
		20.00		25.00	
		22.50		27.50	
		25.00		30.00	
		27.50		32.50	
		30.00		35.00	
		32.50		37.50	
		35.00		40.00	

DATE		SCALE: N/A		MODEL TYPE:	
DWND		VIEW:		PART NO.: X2581WV-XXX-N0SN	
CHKD		UNIT: mm		2.50 mm Crimp Style connectors	
APPD		DATE		SIZE: A4	
UNSPECIFIED TOLERANCES		REVISION		SHEET	
± 0.5		A0		1/1	

KXB INDUSTRIAL PRECISION CO., LIMITED

For and on behalf of
KXB INDUSTRIAL PRECISION CO., LIMITED
香港星坤工業精密有限公司

1 2 3 4 5 6 7 8

1 2 3 4 5 6 7 8

REVISIONS (Authorized Signature(s))

X-ON Electronics

Largest Supplier of Electrical and Electronic Components

Click to view similar products for [Headers & Wire Housings](#) category:

Click to view products by [XKB](#) manufacturer:

Other Similar products are found below :

[95000-104TRLF](#) [10135584-644402LF](#) [DF62W-EP2022PCA](#) [95000-106TRLF](#) [DF62W-2022SCA](#) [DF62W-EP2022PC](#) [2203348](#) [DF62W-2022SC](#) [1084018](#) [1029039](#) [1084017](#) [802-10-012-10-002000](#) [1112640](#) [1112639](#) [891-007-9SS-BST1T](#) [000-34000](#) [0008550134](#) [0009482033](#) [0009507031](#) [57102-F02-18ULF](#) [57102-S06-03LF](#) [57202-S52-04LF](#) [PCN6-15S-2.5E](#) [0039019024](#) [58102-G61-06LF](#) [582553-1](#) [0009485154](#) [0009508121](#) [0022285053](#) [0050291907](#) [018731A](#) [LY20-4P-DT1-P1E-BR](#) [02.125.8002.8](#) [60101931](#) [60598-1 \(Cut Strip\)](#) [M1625-3R/100](#) [61062-3](#) [61082-181009](#) [CSU011177004](#) [636-1427](#) [638009-1](#) [641938-9](#) [641991-4](#) [644168-1](#) [644827-2](#) [647662-1](#) [65039-019ELF](#) [65692-001LF](#) [65781-018](#) [65781-047](#)