

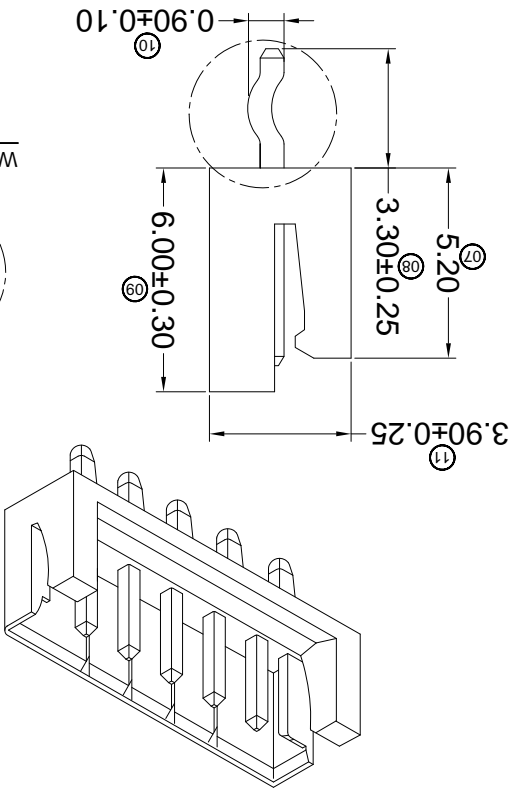
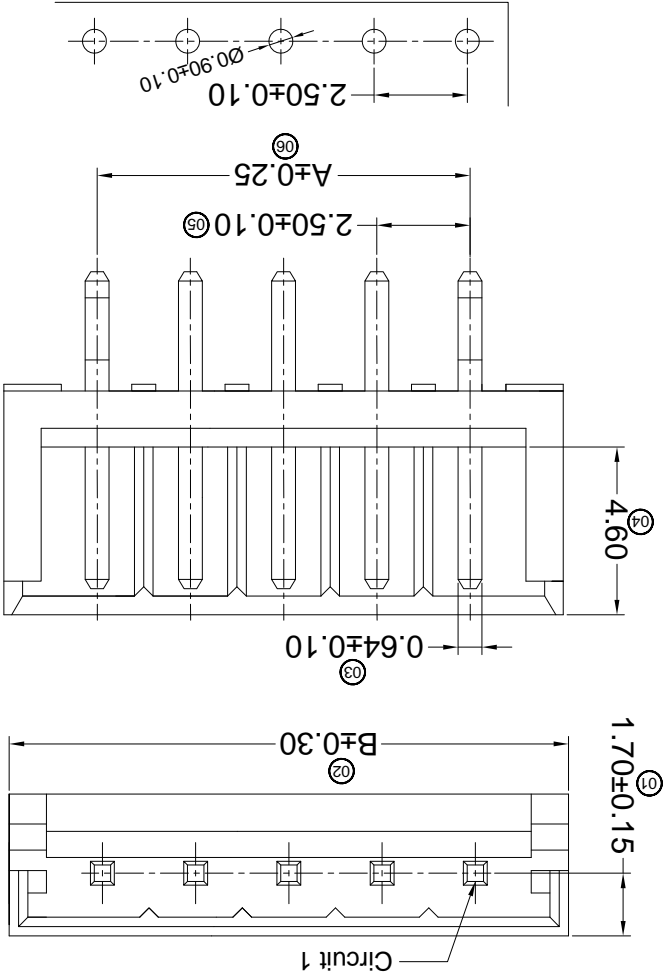
*For and on behalf of*  
**XKB INDUSTRIAL PRECISION CO., LIMITED**  
 香港星坤工業精密有限公司

REVISIONS  
 (Unauthorized Signatures)

MARK	DESCRIPTION	DATE	REVISED	APPROVED	UNSPECIFIED TOLERANCES
△ X					L > 63 ± 0.5
△ X					16 < L ≤ 63 ± 0.4
△ X					4 < L ≤ 16 ± 0.3
					L ≤ 4 ± 0.2
					ANGULAR ± 5°

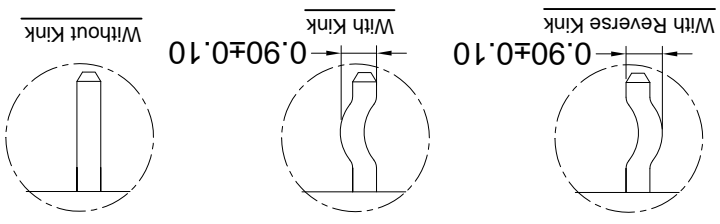
PART NO	Material	Material(Pin)	Finish(Pin)	Mates With XKB Housing
X2581WV-XXX-N0SN	Nylon 66 UL 94V-0	Brass	Tin-Plated	X2581H

**Recommend PCB Layout**



- X2581 W V X- XX X-N0 SN XX
- ① Series No.
  - ② Category: W-Water
  - ③ Welding Board Angle: V-180°; R-90°
  - ④ Welding Way: Blank-DIP: S-SMT
  - ⑤ Row No.-Pin No.: XX-Single Row; 2\*XX-Double Row
  - ⑥ Plug the Pin & Special No.: Blank-With Kink
  - ⑦ A-Without Kink; B-With Reverse Kink
  - ⑧ Material: N0 -PA66 94V-0
  - ⑨ Plating Category: G\*\*-Gold Plated Contact
  - ⑩ V\*\*- All Gold-Plated
  - ⑪ 01-Gold Flash 02-2u" 03-3u"
  - ⑫ 05-5u" 10-10u" 15-15u"
  - ⑬ SN-Bright Tin Plating (70u")
  - ⑭ SN1-Bright Tin Plating (120u" Min)
  - ⑮ 0-No Plating Material
  - ⑯ SW- Fog Tin Plating
  - ⑰ HS-Hight temperature Tin
  - ⑱ Color: Blank-Natural Color

Poles	A	B
02	2.50	7.50
03	5.00	10.00
04	7.50	12.50
05	10.00	15.00
06	12.50	17.50
07	15.00	20.00
08	17.50	22.50
09	20.00	25.00
10	22.50	27.50
11	25.00	30.00
12	27.50	32.50
13	30.00	35.00
14	32.50	37.50
15	35.00	40.00



- Specifications:**
- Voltage rating: 250V AC / DC
  - Current rating: 3A AC / DC
  - Withstanding voltage: 800V AC/minute
  - Temperature range: -25°C~+85°C
  - Insulation resistance: ≥1000MΩ
  - Contact resistance: ≤10mΩ
  - After environmental testing: ≤20mΩ

DATE	SCALE: N/A	MODEL TYPE:
		X2581WV-XXX-N0SN
DATE	VIEW:	PART NO.:
DATE	UNIT: mm	2.50 mm Crimp Style connectors
DATE	SIZE: A4	DWG NO.:
DATE	WEIGHT	REVISION
	1.0g	1/1
	SHEET	A0

**XKB INDUSTRIAL PRECISION CO., LIMITED**

## X-ON Electronics

Largest Supplier of Electrical and Electronic Components

*Click to view similar products for [Headers & Wire Housings](#) category:*

*Click to view products by [XKB](#) manufacturer:*

Other Similar products are found below :

[95000-104TRLF](#) [10135584-644402LF](#) [DF62W-EP2022PCA](#) [95000-106TRLF](#) [DF62W-2022SCA](#) [DF62W-EP2022PC](#) [2203348](#) [DF62W-2022SC](#) [1084018](#) [1029039](#) [1084017](#) [802-10-012-10-002000](#) [1112640](#) [1112639](#) [891-007-9SS-BST1T](#) [000-34000](#) [0008550134](#) [0009482033](#) [0009507031](#) [57102-F02-18ULF](#) [57102-S06-03LF](#) [57202-S52-04LF](#) [PCN6-15S-2.5E](#) [0039019024](#) [58102-G61-06LF](#) [582553-1](#) [0009485154](#) [0009508121](#) [0022285053](#) [0050291907](#) [018731A](#) [LY20-4P-DT1-P1E-BR](#) [02.125.8002.8](#) [60101931](#) [60598-1 \(Cut Strip\)](#) [M1625-3R/100](#) [61062-3](#) [61082-181009](#) [CSU011177004](#) [636-1427](#) [638009-1](#) [641938-9](#) [641991-4](#) [644168-1](#) [644827-2](#) [647662-1](#) [65039-019ELF](#) [65692-001LF](#) [65781-018](#) [65781-047](#)