

REVISIONS		APPROVED		DATE	DESCRIPTION	MARK
1	2	3	4	5	6	7
Δ X	Δ X	Δ X				

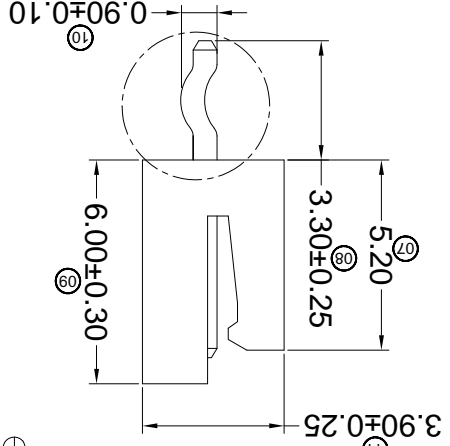
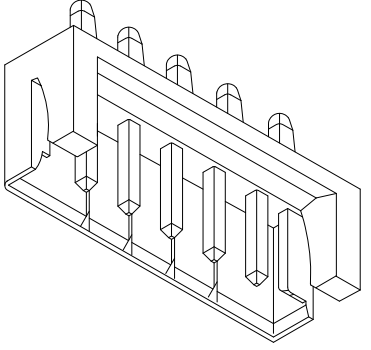
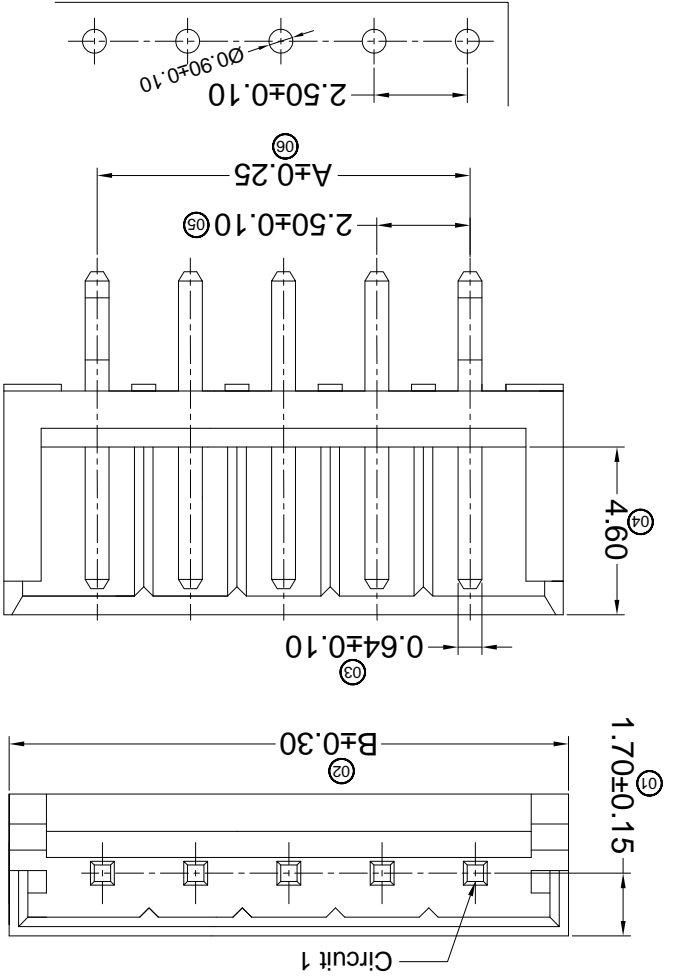
UNSPECIFIED TOLERANCES

L > 63	± 0.5
16 < L ≤ 63	± 0.4
4 < L ≤ 16	± 0.3
L ≤ 4	± 0.2
ANGULAR	± 5°

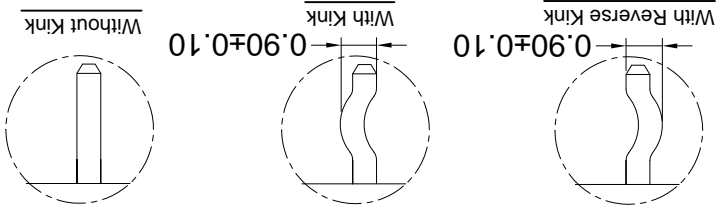
REVISIONS (Authorized Signatures)

PART NO	Material	Material(Pin)	Finish(Pin)	Mates With XKB Housing
X2581WV-XXX-N0SN	Nylon 66 UL 94V-0	Brass	Tin-Plated	X2581H

Recommend PCB Layout



- ① Series No.
- ② Category: W-Water
- ③ Welding Board Angle: V-180°; R-90°
- ④ Welding Way: Blank-DIP: S-SMT
- ⑤ Row No.-Pin No.: XX-Single Row; 2*XX-Double Row
- ⑥ Plug the Pin & Special No.: Blank-With Kink
- ⑦ A-Without Kink; B-With Reverse Kink
- ⑧ Material: NO -PA66 94V-0
- ⑨ Plating Category: G**-Gold Plated Contact
- ⑩ V**- All Gold-Plated
- ⑪ 01-Gold Flash 02-2u" 03-3u"
- ⑫ 05-5u" 10-10u" 15-15u"
- ⑬ SN-Bright Tin Plating (70u")
- ⑭ SN1-Bright Tin Plating (120u" Min)
- ⑮ 0-No Plating Material
- ⑯ SW- Fog Tin Plating
- ⑰ HS-Hight temperature Tin
- ⑱ Color: Blank-Natural Color



- Specifications:
- Voltage rating: 250V AC / DC
 - Current rating: 3A AC / DC
 - Withstanding voltage: 800V AC/minute
 - Temperature range: -25°C~+85°C
 - Insulation resistance: ≥1000MΩ
 - Contact resistance: ≤10mΩ
 - After environmental testing: ≤20mΩ

Poles	A	B
Dimensions (mm)	2.50	7.50
	10.00	12.50
	15.00	17.50
	20.00	25.00
	25.00	30.00
	30.00	35.00
	35.00	40.00

DNSD	DATE	SCALE: N/A	MODEL TYPE:
DWN	DATE	VIEW:	X2581WV-XXX-N0SN
CHKD	DATE	UNIT: mm	2.50 mm Crimp Style connectors
APPD	DATE	SIZE: A4	DWG NO.:
REVISION	SHEET	WEIGHT	1.0g
A0	1/1		

For and on behalf of
XKB INDUSTRIAL PRECISION CO., LIMITED
香港星坤工業精密有限公司

X-ON Electronics

Largest Supplier of Electrical and Electronic Components

Click to view similar products for [Headers & Wire Housings](#) category:

Click to view products by [XKB](#) manufacturer:

Other Similar products are found below :

[95000-104TRLF](#) [10135584-644402LF](#) [DF62W-EP2022PCA](#) [95000-106TRLF](#) [DF62W-2022SCA](#) [DF62W-EP2022PC](#) [2203348](#) [DF62W-2022SC](#) [1084018](#) [1029039](#) [1084017](#) [802-10-012-10-002000](#) [1112640](#) [1112639](#) [891-007-9SS-BST1T](#) [000-34000](#) [0008550134](#) [0009482033](#) [0009507031](#) [57102-F02-18ULF](#) [57102-S06-03LF](#) [57202-S52-04LF](#) [PCN6-15S-2.5E](#) [0039019024](#) [58102-G61-06LF](#) [582553-1](#) [0009485154](#) [0009508121](#) [0022285053](#) [0050291907](#) [018731A](#) [LY20-4P-DT1-P1E-BR](#) [02.125.8002.8](#) [60101931](#) [60598-1 \(Cut Strip\)](#) [M1625-3R/100](#) [61062-3](#) [61082-181009](#) [CSU011177004](#) [636-1427](#) [638009-1](#) [641938-9](#) [641991-4](#) [644168-1](#) [644827-2](#) [647662-1](#) [65039-019ELF](#) [65692-001LF](#) [65781-018](#) [65781-047](#)