

REVISIONS  
*Authorized Signature(s)*

MARK	DESCRIPTION	DATE	REVISED	APPROVED	UNSPECIFIED TOLERANCES
△ X					L > 63
△ X					16 < L ≤ 63
△ X					4 < L ≤ 16
△ X					L ≤ 4
					ANGULAR
					± 5°

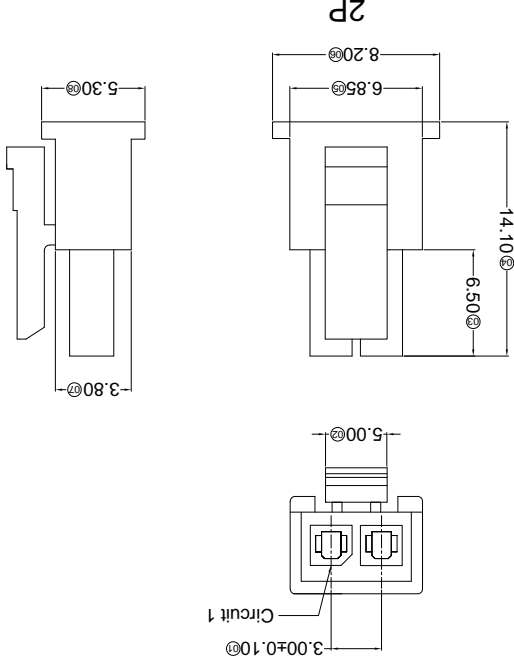
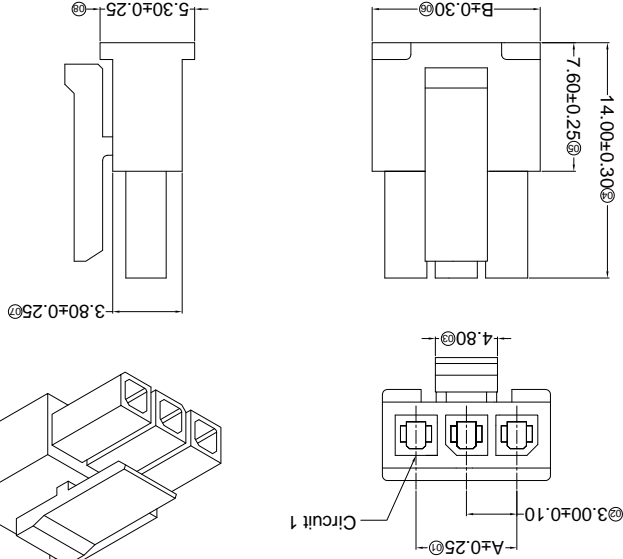
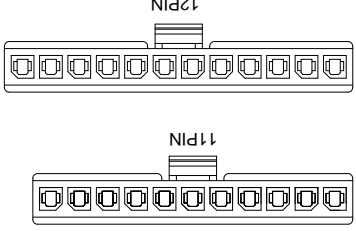
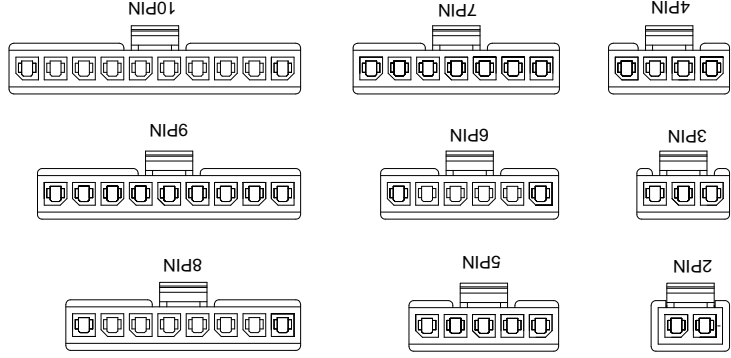
For and on behalf of  
**XKB INDUSTRIAL PRECISION CO., LIMITED**  
香港星坤工業精密有限公司

**XKB INDUSTRIAL PRECISION CO., LIMITED**

WEIGHT	1.0g
SHEET	1/1
REVISION	A0
SIZE: A4	
DATE	
UNIT: mm	
DATE	
VIEW:	
SCALE: N/A	
MODEL TYPE:	X3025HM-XX-N2
PART NO.:	X3025HM-XX-N2
3.00 mm Crimp Style Connectors	
DWG NO.:	

PART NO	Material	Suitable XKB Terminal	Mates With XKB Wafer
X3025HM-XX-N2	Nylon 66 94V-2	X3025TF	X3025W

Poles	Dimensions (mm)		Poles	Dimensions (mm)	
	A	B		A	B
07	18.00	21.85	12	33.00	36.85
06	15.00	18.85	11	30.00	33.85
05	12.00	15.85	10	27.00	30.85
04	9.00	12.85	09	24.00	27.85
03	6.00	9.85	08	21.00	24.85
				A	B



■ Specifications :

- Voltage rating: 250V AC / DC
- Current rating: 5A AC / DC
- Withstanding voltage: 1000V AC/minute
- Temperature range: -40°C~+105°C
- Insulation resistance: ≥1000MΩ
- Contact resistance: ≤10mΩ
- After environmental testing: ≤20mΩ

X3025 H M-XX X-N2 XX

① Series No.

② Category: H-HSG

③ Welding Board Angle: M-Male HGS

④ Row No.-Pin No.: XX-02P~12P

⑤ Plug the Pin & special No.

⑥ Material: N2-PA66 94V-2

⑦ Color: Blank-Natural Color

8 7 6 5 4 3 2 1

8 7 6 5 4 3 2 1

## X-ON Electronics

Largest Supplier of Electrical and Electronic Components

*Click to view similar products for [Headers & Wire Housings](#) category:*

*Click to view products by [XKB](#) manufacturer:*

Other Similar products are found below :

[95000-104TRLF](#) [10135584-644402LF](#) [DF62W-EP2022PCA](#) [95000-106TRLF](#) [DF62W-2022SCA](#) [DF62W-EP2022PC](#) [2203348](#) [DF62W-2022SC](#) [1084018](#) [1029039](#) [1084017](#) [802-10-012-10-002000](#) [1112640](#) [1112639](#) [891-007-9SS-BST1T](#) [000-34000](#) [0008550134](#) [0009482033](#) [0009507031](#) [57102-F02-18ULF](#) [57102-S06-03LF](#) [57202-S52-04LF](#) [PCN6-15S-2.5E](#) [0039019024](#) [58102-G61-06LF](#) [582553-1](#) [0009485154](#) [0009508121](#) [0022285053](#) [0050291907](#) [018731A](#) [LY20-4P-DT1-P1E-BR](#) [02.125.8002.8](#) [60101931](#) [60598-1 \(Cut Strip\)](#) [M1625-3R/100](#) [61062-3](#) [61082-181009](#) [CSU011177004](#) [636-1427](#) [638009-1](#) [641938-9](#) [641991-4](#) [644168-1](#) [644827-2](#) [647662-1](#) [65039-019ELF](#) [65692-001LF](#) [65781-018](#) [65781-047](#)