

For and on behalf of
KXB INDUSTRIAL PRECISION CO., LIMITED
 香港星坤工業精密有限公司

| MARK | DESCRIPTION | DATE | REVISED | APPROVED | UNSPECIFIED TOLERANCES |
|------|-------------|------|---------|----------|------------------------|
| △ X | | | | | L > 63 |
| △ X | | | | | 16 < L ≤ 63 |
| △ X | | | | | 4 < L ≤ 16 |
| | | | | | L ≤ 4 |
| | | | | | ANGULAR |

| REVISIONS | DATE | REVISED | APPROVED | UNSPECIFIED TOLERANCES |
|-----------|------|---------|----------|------------------------|
| | | | | L > 63 |
| | | | | 16 < L ≤ 63 |
| | | | | 4 < L ≤ 16 |
| | | | | L ≤ 4 |
| | | | | ANGULAR |

| DATE | SCALE: N/A | MODEL TYPE: X3025HM-2*XX-N2 |
|------|------------|-----------------------------|
| | | |

| DATE | VIEW: | PART NO.: X3025HM-2*XX-N2 |
|------|-------|---------------------------|
| | | |

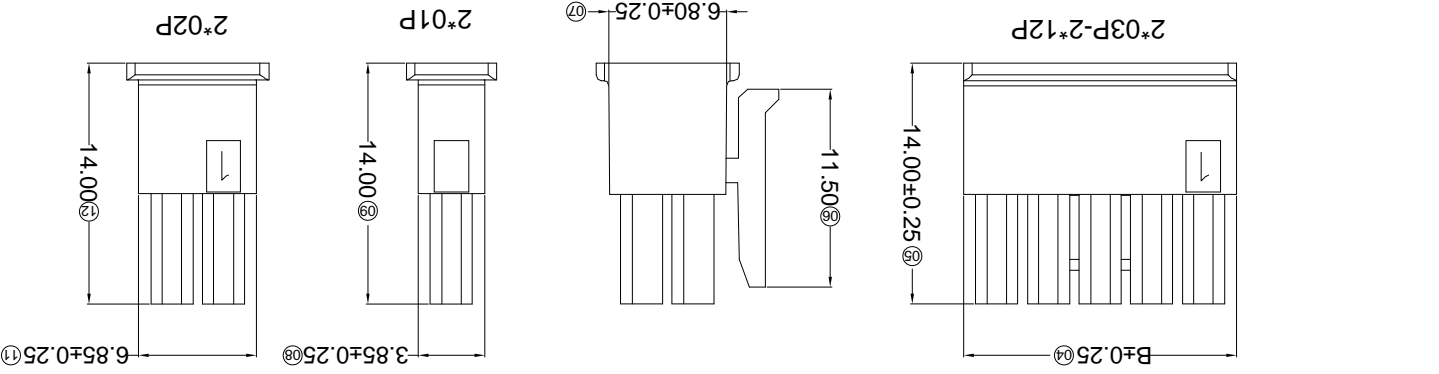
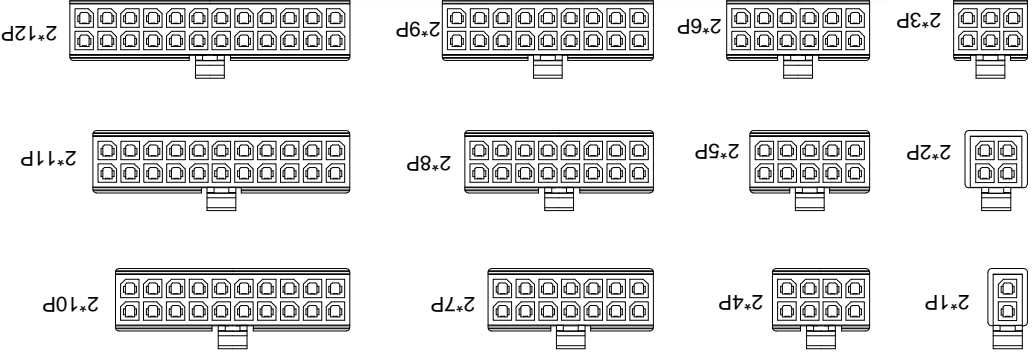
| DATE | UNIT: mm | DWG NO.: |
|------|----------|--------------------------------|
| | | 3.00 mm Crimp Style Connectors |

| DATE | SIZE: A4 | WEIGHT |
|------|----------|--------|
| | | 1.0g |

| DATE | REVISION | SHEET | REVISION |
|------|----------|-------|----------|
| | | 1/1 | A0 |

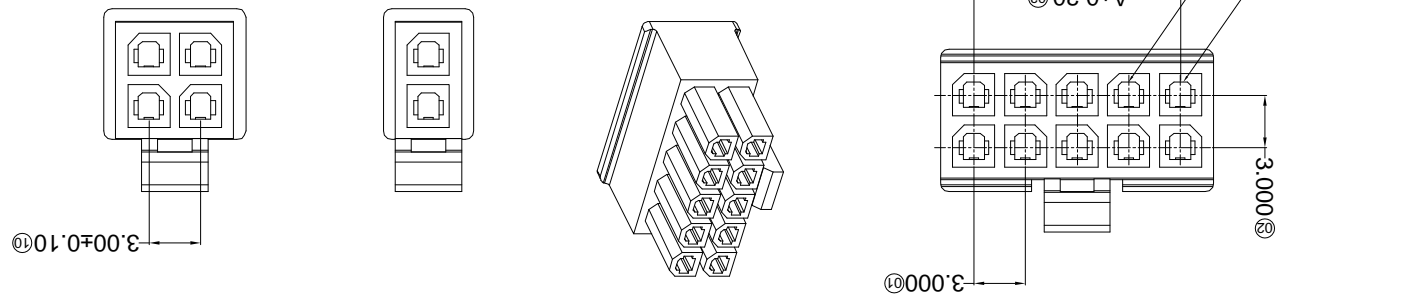
| PART NO | Material | Suitable SWB Terminal | Mates With XKB Water |
|-----------------|----------------|-----------------------|----------------------|
| X3025HM-2*XX-N2 | Nylon 66 94V-2 | X3025TF | X3025W |

| Poles | Dimensions(mm) | | Poles | Dimensions(mm) | |
|-------|----------------|-------|-------|----------------|-------|
| | A | B | | A | B |
| 2*01 | 2*07 | 18.00 | 2*01 | 2*07 | 21.85 |
| 2*02 | 3.00 | 24.00 | 2*02 | 2*08 | 24.85 |
| 2*03 | 6.00 | 27.85 | 2*03 | 2*09 | 27.85 |
| 2*04 | 9.00 | 30.85 | 2*04 | 2*10 | 30.85 |
| 2*05 | 12.00 | 33.85 | 2*05 | 2*11 | 33.85 |
| 2*06 | 15.00 | 36.85 | 2*06 | 2*12 | 36.85 |



- ① Series No. X3025 H M-2*XX XX-N2 XX
 ② Category: H-HSG
 ③ Welding Board Angle: M-Male HSG
 ④ Row No.-Pin No.: 2*XX-2*01P~2*12P
 ⑤ Plug the Pin & special No.:
 ⑥ Material: N2-PA66 94V-2;
 ⑦ Color: Blank-Natural Color

- Specifications:
 • Voltage rating: 250V AC / DC
 • Current rating: 5A AC / DC
 • Withstanding voltage: 1000V AC/minute
 • Temperature range: -25°C~+85°C
 • Insulation resistance: ≥1000MΩ
 • Contact resistance: ≤10mΩ
 • After environmental testing: ≤20mΩ



X-ON Electronics

Largest Supplier of Electrical and Electronic Components

Click to view similar products for [Headers & Wire Housings](#) category:

Click to view products by [XKB](#) manufacturer:

Other Similar products are found below :

[95000-104TRLF](#) [10135584-644402LF](#) [DF62W-EP2022PCA](#) [95000-106TRLF](#) [DF62W-2022SCA](#) [DF62W-EP2022PC](#) [2203348](#) [DF62W-2022SC](#) [1084018](#) [1029039](#) [1084017](#) [802-10-012-10-002000](#) [1112640](#) [1112639](#) [891-007-9SS-BST1T](#) [000-34000](#) [0008550134](#) [0009482033](#) [0009507031](#) [57102-F02-18ULF](#) [57102-S06-03LF](#) [57202-S52-04LF](#) [PCN6-15S-2.5E](#) [0039019024](#) [58102-G61-06LF](#) [582553-1](#) [0009485154](#) [0009508121](#) [0022285053](#) [0050291907](#) [018731A](#) [LY20-4P-DT1-P1E-BR](#) [02.125.8002.8](#) [60101931](#) [60598-1 \(Cut Strip\)](#) [M1625-3R/100](#) [61062-3](#) [61082-181009](#) [CSU011177004](#) [636-1427](#) [638009-1](#) [641938-9](#) [641991-4](#) [644168-1](#) [644827-2](#) [647662-1](#) [65039-019ELF](#) [65692-001LF](#) [65781-018](#) [65781-047](#)