

For and on behalf of  
**KXB INDUSTRIAL PRECISION CO., LIMITED**  
 香港星坤工業精密有限公司

MARK	DESCRIPTION	DATE	REVISED	APPROVED	UNSPECIFIED TOLERANCES
△ X					L > 63
△ X					16 < L ≤ 63
△ X					4 < L ≤ 16
					L ≤ 4
					ANGULAR

REVISIONS	DATE	REVISED	APPROVED	UNSPECIFIED TOLERANCES
				L > 63
				16 < L ≤ 63
				4 < L ≤ 16
				L ≤ 4
				ANGULAR

DATE	SCALE: N/A	MODEL TYPE: X3025HM-2*XX-N2

DATE	VIEW:	PART NO.: X3025HM-2*XX-N2

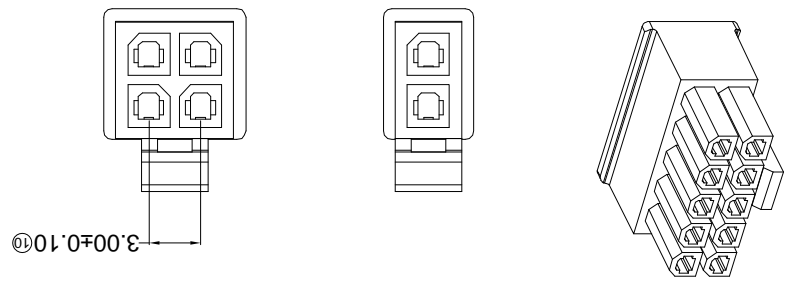
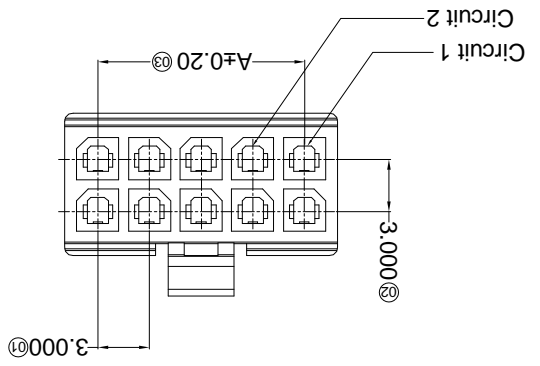
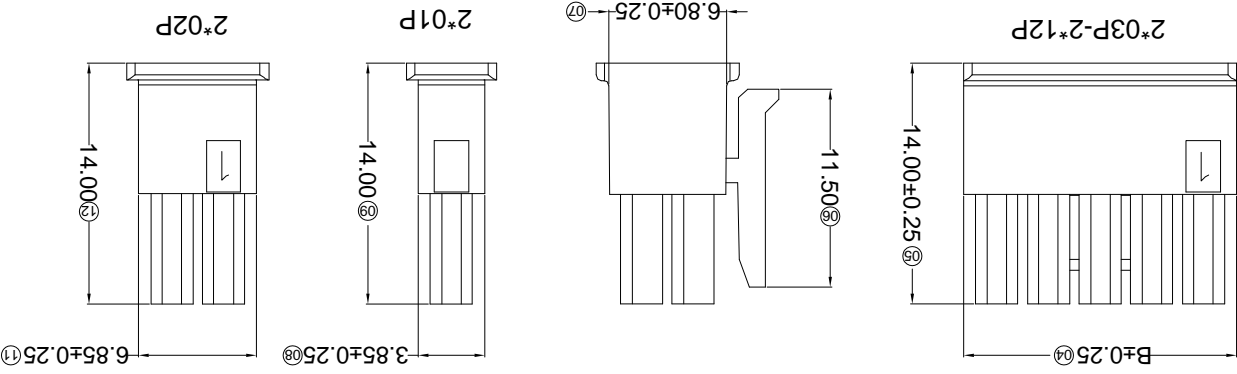
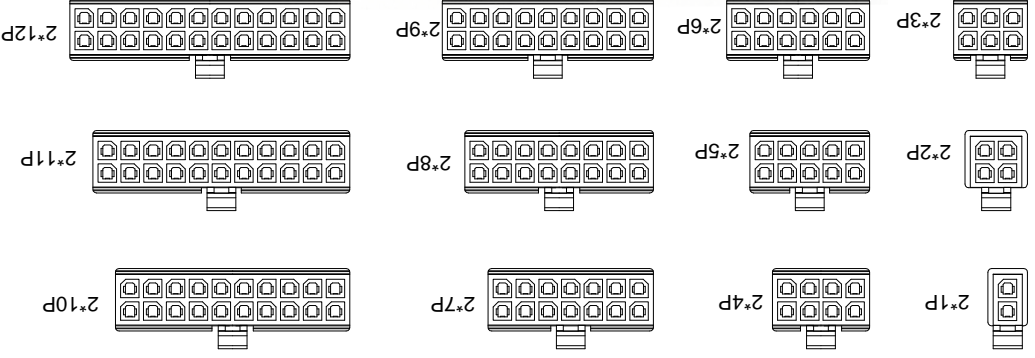
DATE	UNIT: mm	DWG NO.:
		3.00 mm Crimp Style Connectors

DATE	SIZE: A4	WEIGHT
		1.0g

REVISION	SHEET	NO
	1/1	A0

PART NO	Material	Suitable SWB Terminal	Mates With XKB Water
X3025HM-2*XX-N2	Nylon 66 94V-2	X3025TF	X3025W

Poles	Dimensions(mm)		Poles	Dimensions(mm)	
	A	B		A	B
2*01	2*07	18.00	2*01	2*07	18.00
2*02	3.00	24.85	2*02	2*08	24.85
2*03	6.00	27.85	2*03	2*09	27.85
2*04	9.00	30.85	2*04	2*10	30.85
2*05	12.00	33.85	2*05	2*11	33.85
2*06	15.00	36.85	2*06	2*12	36.85



- Series No. ①  
 Category: H-HSG ②  
 Welding Board Angle: M-Male HSG ③  
 Row No.-Pin No.: 2\*XX-2\*01P~2\*12P ④  
 Plug the Pin & special No.: ⑤  
 Material: N2-PA66 94V-2; ⑥  
 Color: Blank-Natural Color ⑦
- X3025 H M-2\*XX XX-N2 XX ① ② ③ ④ ⑤ ⑥ ⑦

- Specifications:**
- Voltage rating: 250V AC / DC
  - Current rating: 5A AC / DC
  - Withstanding voltage: 1000V AC/minute
  - Temperature range: -25°C~+85°C
  - Insulation resistance: ≥1000MΩ
  - Contact resistance: ≤10mΩ
  - After environmental testing: ≤20mΩ

## X-ON Electronics

Largest Supplier of Electrical and Electronic Components

*Click to view similar products for [Headers & Wire Housings](#) category:*

*Click to view products by [XKB](#) manufacturer:*

Other Similar products are found below :

[95000-104TRLF](#) [10135584-644402LF](#) [DF62W-EP2022PCA](#) [95000-106TRLF](#) [DF62W-2022SCA](#) [DF62W-EP2022PC](#) [2203348](#) [DF62W-2022SC](#) [1084018](#) [1029039](#) [1084017](#) [802-10-012-10-002000](#) [1112640](#) [1112639](#) [891-007-9SS-BST1T](#) [000-34000](#) [0008550134](#) [0009482033](#) [0009507031](#) [57102-F02-18ULF](#) [57102-S06-03LF](#) [57202-S52-04LF](#) [PCN6-15S-2.5E](#) [0039019024](#) [58102-G61-06LF](#) [582553-1](#) [0009485154](#) [0009508121](#) [0022285053](#) [0050291907](#) [018731A](#) [LY20-4P-DT1-P1E-BR](#) [02.125.8002.8](#) [60101931](#) [60598-1 \(Cut Strip\)](#) [M1625-3R/100](#) [61062-3](#) [61082-181009](#) [CSU011177004](#) [636-1427](#) [638009-1](#) [641938-9](#) [641991-4](#) [644168-1](#) [644827-2](#) [647662-1](#) [65039-019ELF](#) [65692-001LF](#) [65781-018](#) [65781-047](#)