

For and on behalf of  
**KXB INDUSTRIAL PRECISION CO., LIMITED**  
 香港星坤工業精密有限公司

| MARK | DESCRIPTION | DATE | REVISED | APPROVED | UNSPECIFIED TOLERANCES |
|------|-------------|------|---------|----------|------------------------|
| △ X  |             |      |         |          | L > 63                 |
| △ X  |             |      |         |          | 16 < L ≤ 63            |
| △ X  |             |      |         |          | 4 < L ≤ 16             |
|      |             |      |         |          | L ≤ 4                  |
|      |             |      |         |          | ANGULAR                |

| REVISIONS | DATE | REVISED | APPROVED | UNSPECIFIED TOLERANCES |
|-----------|------|---------|----------|------------------------|
|           |      |         |          | L > 63                 |
|           |      |         |          | 16 < L ≤ 63            |
|           |      |         |          | 4 < L ≤ 16             |
|           |      |         |          | L ≤ 4                  |
|           |      |         |          | ANGULAR                |

| DATE | SCALE: N/A | MODEL TYPE: X3025HM-2*XX-N2 |
|------|------------|-----------------------------|
|      |            |                             |

| DATE | VIEW: | PART NO.: 3.00 mm Crimp Style Connectors |
|------|-------|--|
|      |       |  |

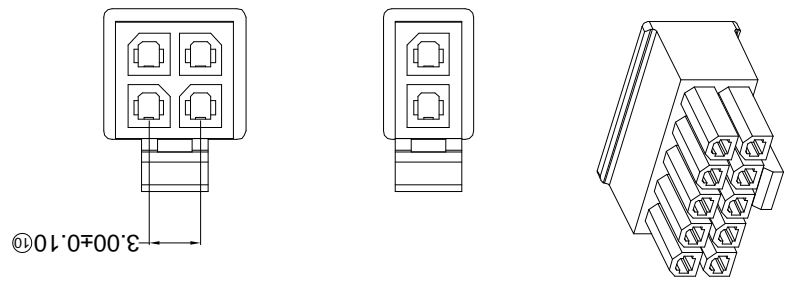
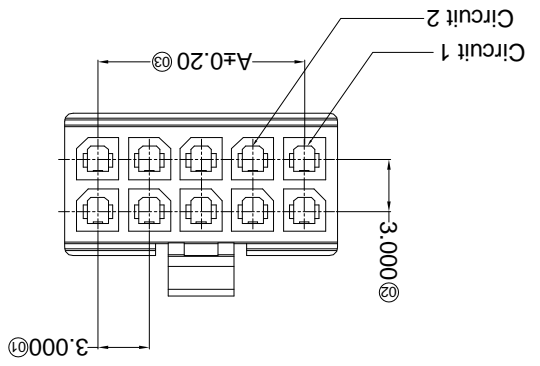
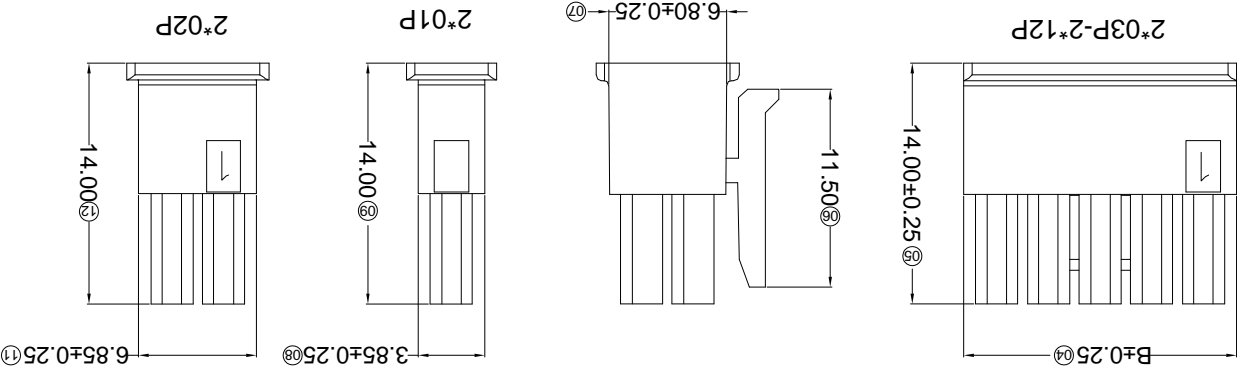
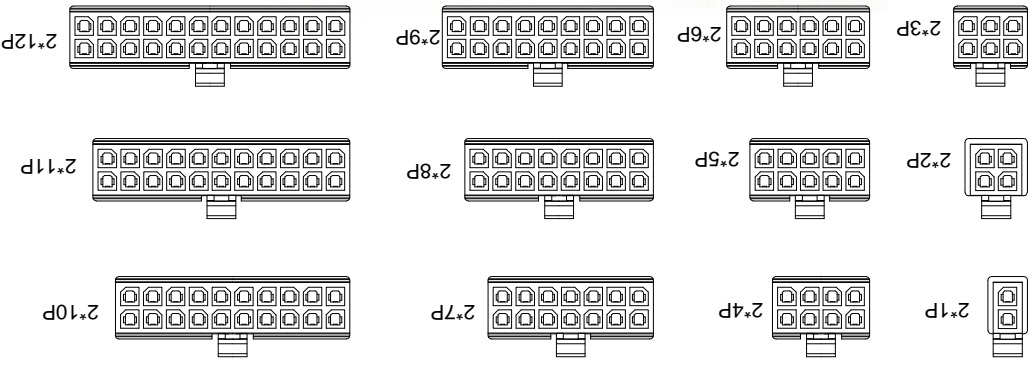
| DATE | UNIT: mm | DWG NO.: |
|------|----------|----------|
|      |          |          |

| DATE | SIZE: A4 | WEIGHT: 1.0g |
|------|----------|--------------|
|      |          |              |

| DATE | SHEET: 1/1 | REVISION: A0 |
|------|------------|--------------|
|      |            |              |

| PART NO         | Material       | Suitable SWB Terminal | Mates With XKB Water |
|-----------------|----------------|-----------------------|----------------------|
| X3025HM-2*XX-N2 | Nylon 66 94V-2 | X3025TF               | X3025W               |

| Poles | Dimensions(mm) |       | Poles | Dimensions(mm) |       |
|-------|----------------|-------|-------|----------------|-------|
|       | A              | B     |       | A              | B     |
| 2*01  | 2*07           | 18.00 | 2*01  | 2*07           | 21.85 |
| 2*02  | 3.00           | 24.00 | 2*02  | 2*08           | 24.85 |
| 2*03  | 6.00           | 27.85 | 2*03  | 2*09           | 27.85 |
| 2*04  | 9.00           | 30.85 | 2*04  | 2*10           | 30.85 |
| 2*05  | 12.00          | 33.85 | 2*05  | 2*11           | 33.85 |
| 2*06  | 15.00          | 36.85 | 2*06  | 2*12           | 36.85 |



**X3025 H M-2\*XX XX-N2 XX**

① Series No.

② Category: H-HSG

③ Welding Board Angle: M-Male HSG

④ Row No.-Pin No.: 2\*XX-2\*01P~2\*12P

⑤ Plug the Pin & special No.:

⑥ Material: N2-PA66 94V-2;

⑦ Color: Blank-Natural Color

- Specifications:**
- Voltage rating: 250V AC / DC
  - Current rating: 5A AC / DC
  - Withstanding voltage: 1000V AC/minute
  - Temperature range: -25°C~+85°C
  - Insulation resistance: ≥1000MΩ
  - Contact resistance: ≤10mΩ
  - After environmental testing: ≤20mΩ

## X-ON Electronics

Largest Supplier of Electrical and Electronic Components

*Click to view similar products for [Headers & Wire Housings](#) category:*

*Click to view products by [XKB](#) manufacturer:*

Other Similar products are found below :

[95000-104TRLF](#) [10135584-644402LF](#) [DF62W-EP2022PCA](#) [95000-106TRLF](#) [DF62W-2022SCA](#) [DF62W-EP2022PC](#) [2203348](#) [DF62W-2022SC](#) [1084018](#) [1029039](#) [1084017](#) [802-10-012-10-002000](#) [1112640](#) [1112639](#) [891-007-9SS-BST1T](#) [000-34000](#) [0008550134](#) [0009482033](#) [0009507031](#) [57102-F02-18ULF](#) [57102-S06-03LF](#) [57202-S52-04LF](#) [PCN6-15S-2.5E](#) [0039019024](#) [58102-G61-06LF](#) [582553-1](#) [0009485154](#) [0009508121](#) [0022285053](#) [0050291907](#) [018731A](#) [LY20-4P-DT1-P1E-BR](#) [02.125.8002.8](#) [60101931](#) [60598-1 \(Cut Strip\)](#) [M1625-3R/100](#) [61062-3](#) [61082-181009](#) [CSU011177004](#) [636-1427](#) [638009-1](#) [641938-9](#) [641991-4](#) [644168-1](#) [644827-2](#) [647662-1](#) [65039-019ELF](#) [65692-001LF](#) [65781-018](#) [65781-047](#)