

For and on behalf of
KRB INDUSTRIAL PRECISION CO., LIMITED
 香港星坤工業精密有限公司

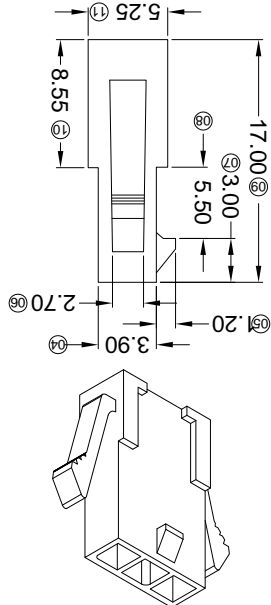
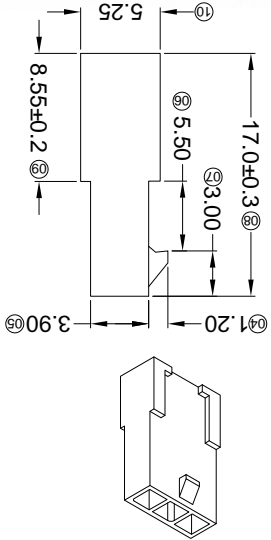
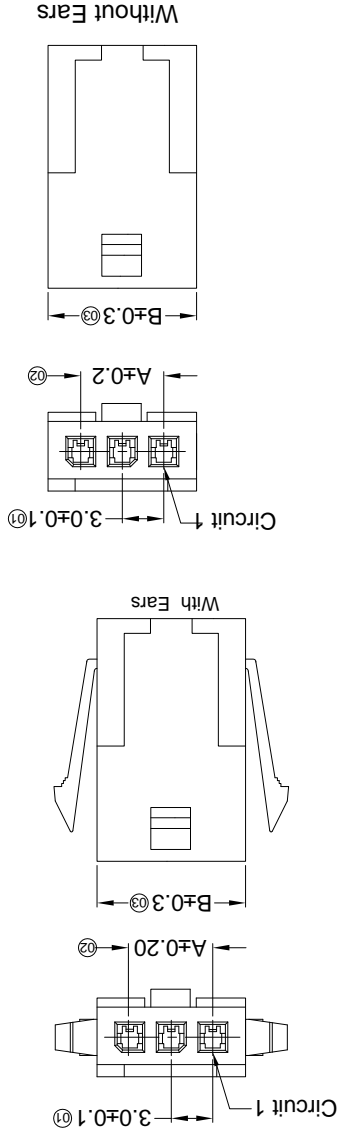
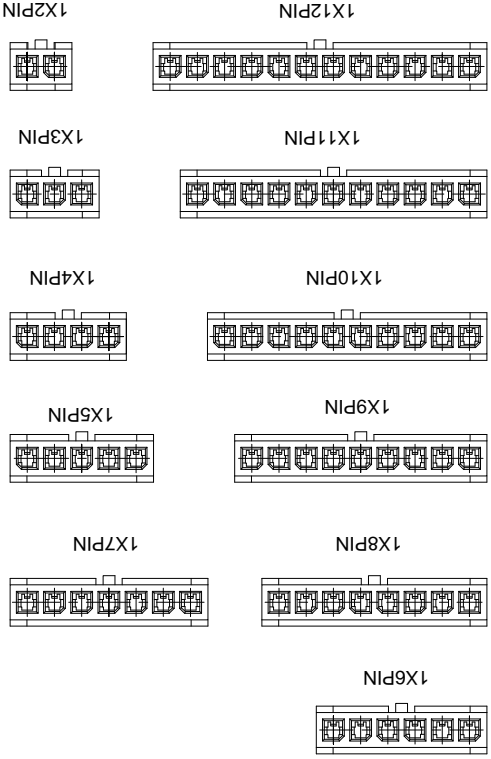
Revisions
 (Authorized Signatures)

MARK	DESCRIPTION	DATE	REVISED	APPROVED	UNSPECIFIED TOLERANCES
△ X					$L > 63$ $L > 63$
△ X					$4 < L \leq 16$ ± 0.3
△ X					$L \leq 4$ ± 0.2
					ANGULAR $\pm 5^\circ$

DSND	DATE	SCALE: N/A	MODEL TYPE: X3025HF-XXX-N2
DWN	DATE <td>VIEW: </td> <td>PART NO.: 3.00 mm Crimp Style Connectors</td>	VIEW:	PART NO.: 3.00 mm Crimp Style Connectors
CHKD	DATE <td>UNIT: mm</td> <td>DWG NO.:</td>	UNIT: mm	DWG NO.:
APPD	DATE <td>SIZE: A4</td> <td>WEIGHT 1.0g</td>	SIZE: A4	WEIGHT 1.0g
			SHEET 1/1
			REVISION A0

PART NO	Material	Color	Suitable XKB Terminal	Mates With XKB Housing	Note
X3025HF-XX1-N2WH	Nylon 66 94V-2	White	X3025TM	X3025HM	Without Ears
X3025HF-XX1-N2	Nylon 66 94V-2	Natural Color	X3025TM	X3025HM	Without Ears
X3025HF-XXG-N2WH	Nylon 66 94V-2	White	X3025TM	X3025HM	With Ears
X3025HF-XXG-N2	Nylon 66 94V-2	Natural Color	X3025TM	X3025HM	With Ears

Poles	Dimensions(mm)		Dimensions(mm)	
	A	B	A	B
07	18.00	21.90		
06	15.00	18.90	12	33.00
05	12.00	15.90	11	30.00
04	9.00	12.90	10	27.00
03	6.00	9.90	09	27.90
02	3.00	6.90	08	24.90
			A	B



- Specifications:
- Voltage rating: 250V AC / DC
 - Current rating: 5A AC / DC
 - Withstanding voltage: 1000V AC/minute
 - Temperature range: -40°C~+105°C
 - Insulation resistance: $\geq 1000M\Omega$
 - Contact resistance: $\leq 10m\Omega$
 - After environmental testing: $\leq 20m\Omega$
- ① Series No.
 ② Category: H-HSG
 ③ Welding Board Angle: F-Female HSG
 ④ Row No.-Pin No.: XX-02P~12P
 ⑤ Plug the Pin & special No.: I-Without Ears G-With Ears
 ⑥ Material: N2-PA66 94V-2;
 ⑦ Color: Blank-Natural Color : WH-White

X3025 H F-XX XX-N2 XX
 ① ② ③ ④ ⑤ ⑥ ⑦

For and on behalf of
XKB INDUSTRIAL PRECISION CO., LIMITED
 香港星坤工業精密有限公司

MARK	DESCRIPTION	DATE	REVISED	APPROVED	UNSPECIFIED TOLERANCES	
					L > 63	L ≤ 63
△ X					±0.4	±0.3
△ X					±0.3	±0.2
△ X					L ≤ 4	±0.2
					ANGULAR	±5°

REVISIONS		UNSPECIFIED TOLERANCES	
NO	REVISION	L > 63	L ≤ 63
A0	1/1	±0.4	±0.3

WEIGHT	SHEET	XKB INDUSTRIAL PRECISION CO., LIMITED	
1.0g	1/1	SIZE: A4	

MODEL TYPE	SCALE	DATE	DNSD
X3025HM-XX-N2	N/A		

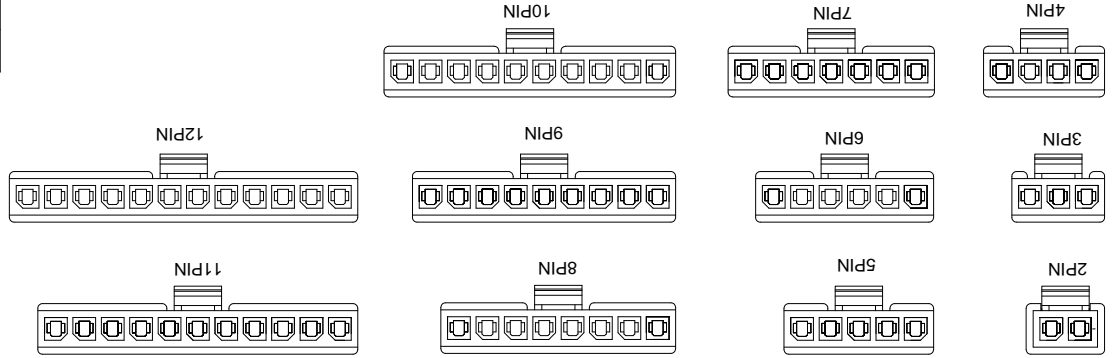
PART NO.	VIEW	DATE	DWN
X3025HM-XX-N2	VIEW: ⑦		

3.00 mm Crimp Style Connectors	UNIT	DATE	CHKD
DWG NO.:	mm		

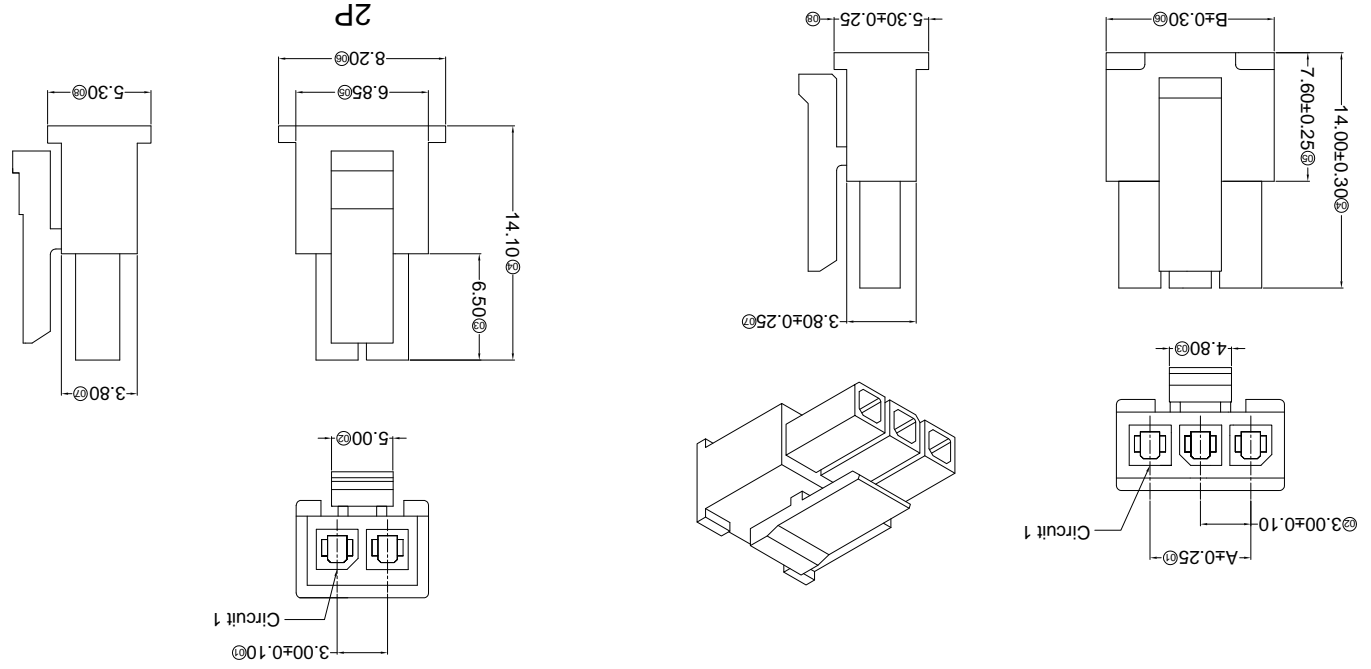
DATE	DATE	APPD

PART NO	Material	Suitable XKB Terminal	Mates With XKB Wafer
X3025HM-XX-N2	Nylon 66 94V-2	X3025TF	X3025W

Poles	Dimensions (mm)		Poles	A	B
	A	B			
07	18.00	21.85	12	33.00	36.85
06	15.00	18.85	11	30.00	33.85
05	12.00	15.85	10	27.00	30.85
04	9.00	12.85	09	24.00	27.85
03	6.00	9.85	08	21.00	24.85



- Specifications:**
- Voltage rating: 250V AC / DC
 - Current rating: 5A AC / DC
 - Withstanding voltage: 1000V AC/minute
 - Temperature range: -40°C~+105°C
 - Insulation resistance: ≥1000MΩ
 - Contact resistance: ≤10mΩ
 - After environmental testing: ≤20mΩ
- X3025 H M-XX X-N2 XX**
- Series No.
 - Category: H-HSG
 - Welding Board Angle: M-Male HGS
 - Row No./Pin No.: XX-02P~12P
 - Plug the Pin & special No.
 - Material: N2-PA66 94V-2
 - Color: Blank-Natural Color



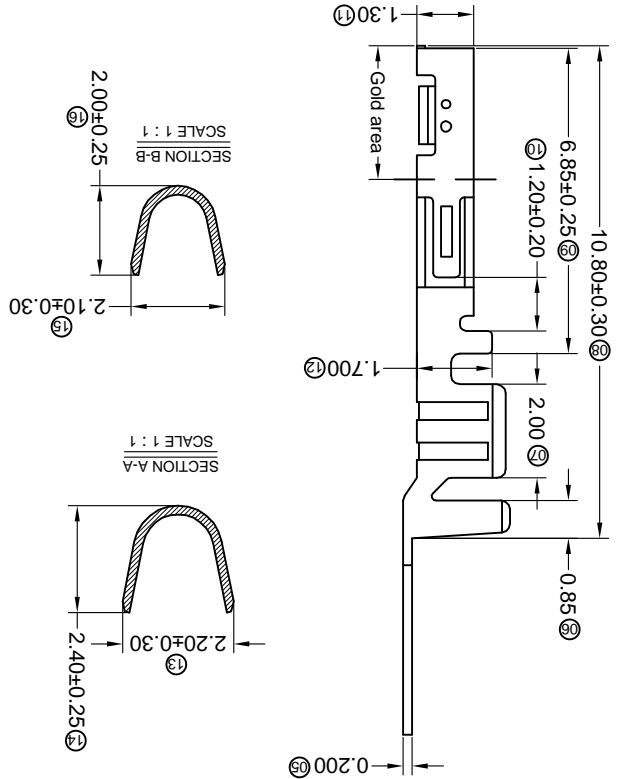
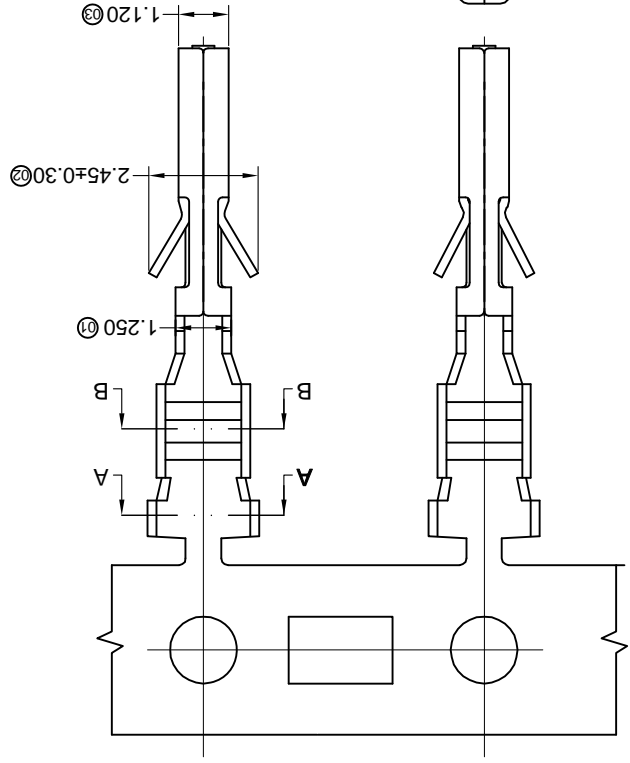
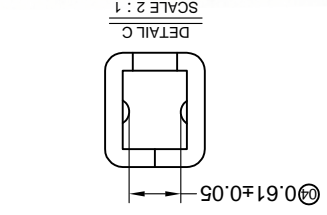
For and on behalf of
XKB INDUSTRIAL PRECISION CO., LIMITED
 香港星坤工業精密有限公司

REVISIONS
 (Unauthorized Signatures)

MARK	DESCRIPTION	DATE	REVISED	APPROVED	UNSPECIFIED TOLERANCES
△ X					L > 63 ± 0.5
△ X					16 > L ≤ 63 ± 0.4
△ X					4 < L ≤ 16 ± 0.3
△ X					L ≤ 4 ± 0.2
					ANGULAR ± 5°

DATE	DATE	DATE	DATE	DATE	DATE	DATE	DATE
DNSD	DWN	CHKD	APPD				
SCALE: N/A	VIEW:	UNIT: mm	SIZE: A4				
MODEL TYPE: X3025TF-PXXX	PART NO.:	3.00 mm Crimp Style Connectors		DWG NO.:			
WEIGHT: 1.0g	SHEET: 1/1	REVISION: A0					

PART NO	Material	Wire Range	Insulation O.D.	Finish	Used in XKB Housing
X3025TF-PG30	Phosphor Bronze	AWG#20-24	1.85mm(Max)	Stamping Before Plating:30~50u" Ni;Contact Area Gold:30u" Min.	X3025HM
X3025TF-PG15				Stamping Before Plating:30~50u" Ni;Contact Area Gold:15u" Min.	
X3025TF-PG01				Stamping Before Plating:30~50u" Ni;Contact Area Gold Flash	
X3025TF-PSN				Stamping Before Plating:30~50u" Ni;70~120u" Sn	



■ Specifications :

- Voltage rating: 250V AC / DC
- Current rating: 5A AC / DC
- Withstanding voltage: 1000V AC/minute
- Temperature range: -40°C~+85°C
- Insulation resistance: ≥1000MΩ
- Contact resistance: ≤10mΩ
- After environmental testing: ≤20mΩ

X3025 T-F-P XX X-X

- (17) Series Number
- (22) Category: T-terminal
- (23) Shape: F-Female Terminal
- (24) Material: P-Phosphor bronze
- (25) Plating style:
- (26) G-Gold-Plated Contact
- (27) *01-Gold Flash *15-15u" *30-30u"
- (28) SN-Bright tin plating 70-120u"
- (29) Plating method:
- (30) Blank-Stamping before plating
- (31) Mold No./Mark/Special No.

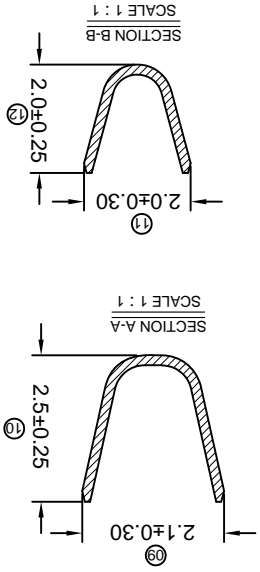
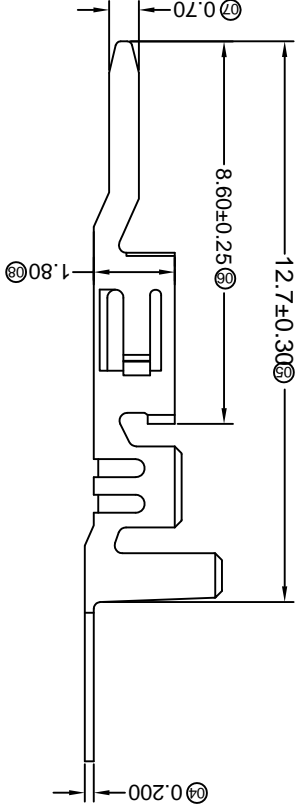
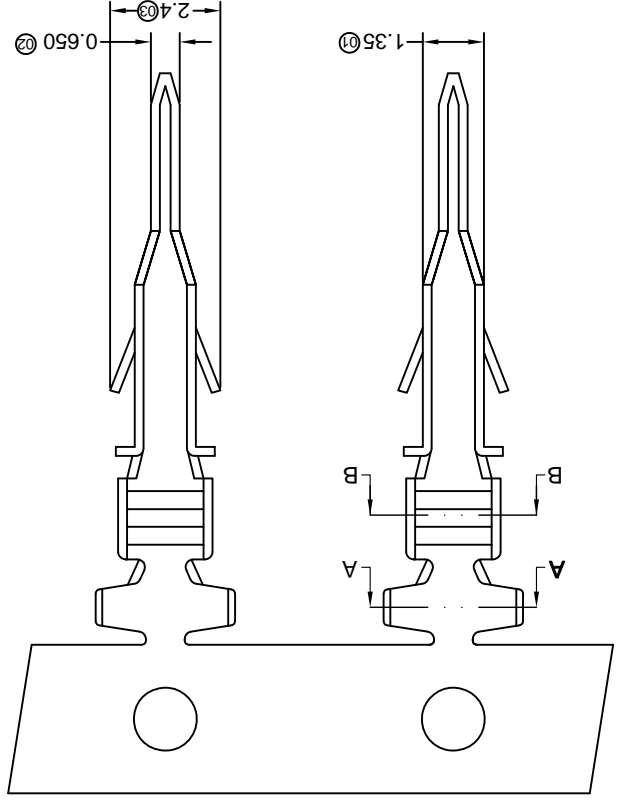
REVISIONS
Authorized Signature(s)

For and on behalf of
XKB INDUSTRIAL PRECISION CO., LIMITED
香港星坤工業精密有限公司

MARK	DESCRIPTION	DATE	REVISED	APPROVED	UNSPECIFIED TOLERANCES
△ X					L > 63
△ X					16 > L ≤ 63
△ X					4 < L ≤ 16
△ X					L ≤ 4
					ANGULAR ± 5°

REVISION	SHEET	WEIGHT	DATE	DATE	DATE	DATE
A0	1/1	1.0g				
			SIZE: A4			
			UNIT: mm			
			VIEW:			
			SCALE: N/A			
			MODEL TYPE: X3025TM-PXX			
			PART NO.:			
			3.00 mm Crimp Style Connectors			
			DWG NO.:			

PART NO	Material	Wire Range	Insulation O.D.	Finish	Used in XKB Housing
X3025TM-PSN	Phosphor Bronze AWG#20-24	1.85mm(Max)		Stamping Before Plating:30u" Ni;70u" Sn	X3025HF
X3025TM-PG01				Stamping Before Plating:30u" Ni>Contact Area Gold Flash	
X3025TM-PG15				Stamping Before Plating:30u" Ni;Contact Area Gold:15u" Min.	
X3025TM-PG30				Stamping Before Plating:30u" Ni;Contact Area Gold:30u" Min.	



- Specifications :**
- Voltage rating: 250V AC / DC
 - Current rating: 5A AC / DC
 - Withstanding voltage: 1000V AC/minute
 - Temperature range: -25°C~+85°C
 - Insulation resistance: ≥1000MΩ
 - Contact resistance: ≤10mΩ
 - After environmental testing: ≤20mΩ
- X3025 T M-P XX X-X**
- ① Series Number
 - ② Category: T-terminal
 - ③ Shape: M-Male Terminal
 - ④ Material: P-Phosphor bronze
 - ⑤ Plating style: G-Gold-Plated Contact
 - ⑥ Plating method: SN-Bright tin plating 70u"
 - ⑦ *01-Gold Flash *15-15u" *30-30u"
 - ⑧ Mold No./Mark/Special No.

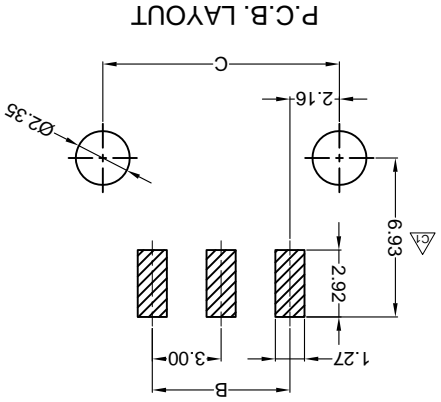
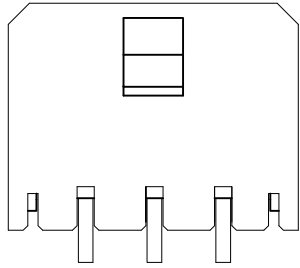
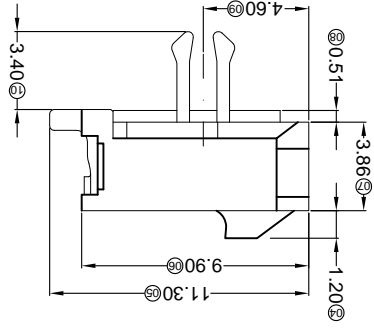
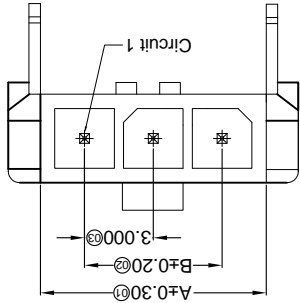
For and on behalf of
KKB INDUSTRIAL PRECISION CO., LIMITED
 香港星坤工業精密有限公司

REVISIONS
 Authorized Signature(s)

MARK	DESCRIPTION	DATE	REVISED	APPROVED	UNSPECIFIED TOLERANCES
△ X					L > 63 ± 0.5
△ X					16 < L ≤ 63 ± 0.4
△ X					4 < L ≤ 16 ± 0.3
△ X					L ≤ 4 ± 0.2
					ANGULAR ± 5°

DSND	DATE	SCALE: N/A	MODEL TYPE: X3025WRS-XXC-XXXX
DWN	DATE <td>VIEW: </td> <td>PART NO.:</td>	VIEW:	PART NO.:
CHKD	DATE <td>UNIT: mm</td> <td>3.00 mm Crimp Style Connectors</td>	UNIT: mm	3.00 mm Crimp Style Connectors
APPD	DATE <td>SIZE: A4</td> <td>DWG NO.:</td>	SIZE: A4	DWG NO.:
		WEIGHT 1.0g	REVISION
		SHEET 1/1	A0

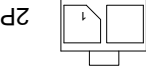
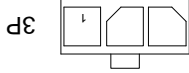
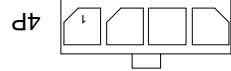
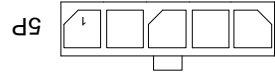
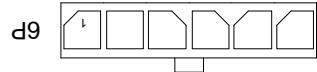
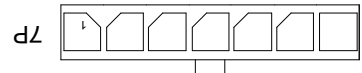
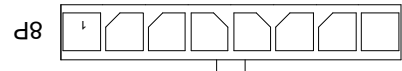
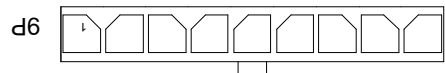
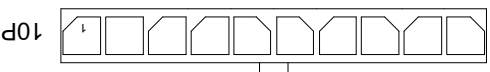
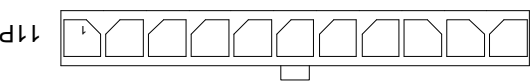
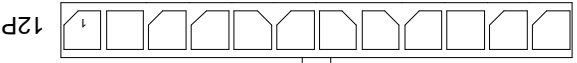
PART NO	Material	Material(Pin)	Finish(Pin)	Material (Solder Tabs) (Solder Tabs)	Finish (Solder Tabs)	Mates With XKB Housing
3025WRS-XXC-66SN	PA66 UL 94V-0	Brass	Tin-Plated	Brass	Tin-Plated	X3025H
3025WRS-XXC-LPSN	LCP UL 94V-0		Tin Plating Fog			
3025WRS-XXC-LPSW	LCP UL 94V-0					



- X3025 W R S-XX C-XX XX XX
- ① Series No.
 - ② Category: W-water
 - ③ Welding Board Angle: R-90°
 - ④ Welding Way: S-SMT
 - ⑤ Row No.-Pin No.: XX-Single row
 - ⑥ Special NO.: C-The harpoon
 - ⑦ Material: LP-LCP 94V-0 66-PA66 94V-0
 - ⑧ Plating Category: SN-Bright tin plating 70U
 - ⑨ SW-Fog Tin plating
 - ⑩ Color: Blank-natural color

- Specifications :
- Voltage rating: 250V AC / DC
 - Current rating: 5A AC / DC
 - Withstanding voltage: 1000V AC/minute
 - Temperature range: -25°C~+85°C
 - Insulation resistance: ≥1000MΩ
 - Contact resistance: ≤10mΩ
 - After environmental testing: ≤20mΩ

Poles	Dimensions (mm)		
	A	B	C
02	6.85	3.00	7.30
03	9.85	6.00	10.30
04	12.85	9.00	13.30
05	15.85	12.00	16.30
06	18.85	15.00	19.30
07	21.85	18.00	22.30
08	24.85	21.00	25.30
09	27.85	24.00	28.30
10	30.85	27.00	31.30
11	33.85	30.00	34.30
12	36.85	33.00	37.30



8 7 6 5 4 3 2 1

A

B

C

D

E

F

For and on behalf of
KRB INDUSTRIAL PRECISION CO., LIMITED
 香港星坤工業精密有限公司

REVISIONS
 Authorized Signature(s)

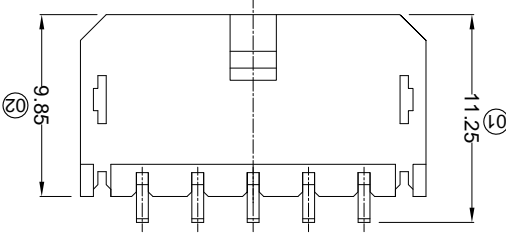
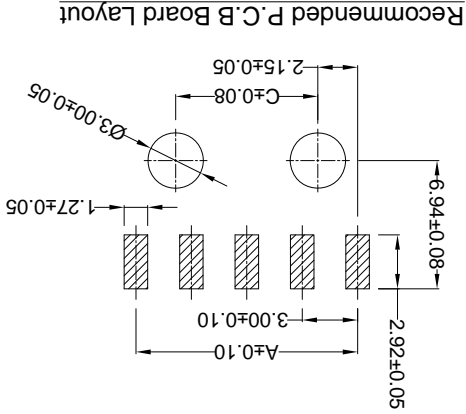
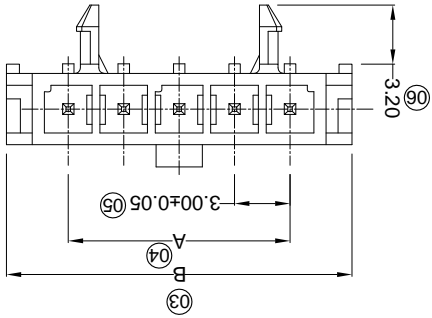
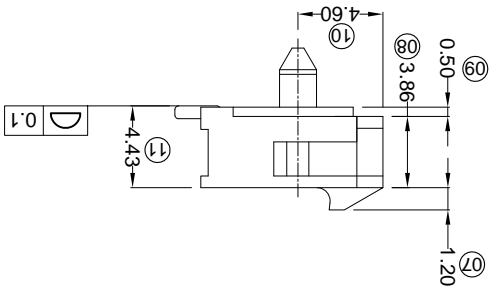
MARK	DESCRIPTION	DATE	REVISED	APPROVED	UNSPECIFIED TOLERANCES
△ X					L > 63 ± 0.5
△ X					16 > L ≤ 63 ± 0.4
△ X					4 < L ≤ 16 ± 0.3
△ X					L ≤ 4 ± 0.2
					ANGULAR ± 5°

DATE	DATE	DATE	DATE	DATE	DATE
DSND	DWN	CHKD	APPD		
SCALE: N/A	VIEW:	UNIT: mm	SIZE: A4		
MODEL TYPE: X3025WRS-XXE-LPXX	PART NO.:	DWG NO.:			
		3.00 mm Crimp Style Connectors			
		WEIGHT 1.0g			
		SHEET 1/1			
		REVISION A0			

PART NO	Material	Material(Pin)	Finish(Pin)	Mates With XKB Housing
X3025WRS-XXE-LPSN	LCP UL 94V-0	Brass	Tin-Plated	X3025H
X3025WRS-XXE-LPSW			Tin Plating Fog	

Poles	Dimensions (mm)		
	A	B	C
02	3.00	9.65	---
03	6.00	12.65	---
04	9.00	15.65	4.70
05	12.00	18.65	7.70
06	15.00	21.65	10.70
07	18.00	24.65	13.70
08	21.00	27.65	16.70
09	24.00	30.65	19.70
10	27.00	33.65	22.70
11	30.00	36.65	25.70
12	33.00	39.65	28.70

- ① Series No.
 ② Category:
 W-water
 ③ Welding Board Angle:
 R-90°
 ④ Welding Way:
 S-SMT
 ⑤ Row No.-Pin No.
 XX-Single row
 ⑥ Special NO.
 E-With plastic positioning column
 ⑦ Material:
 LP-LCP 94V-0
 ⑧ Planting Category:
 V**All Gold-Plated
 G**Gold-Plated Contact
 *01-Gold Flash ; *02-Zn ; *03-3u" ; *05-5u"
 *10-10u" ; *15-15u" ; *30-30u" ; *50-50u"
 SN-Bright tin plating 70u"
 SN1-Bright tin plating 120u"Min.
 SW-Fog Tin plating
 ⑨ Color:
 Blank-natural color
- X3025 W R S-XX E-LP XX XX
 ① ② ③ ④ ⑤ ⑥ ⑦ ⑧ ⑨



- Specifications :
- Voltage rating: 250V AC / DC
 - Current rating: 5A AC / DC
 - Withstanding voltage: 1000V AC/minute
 - Temperature range: -25°C~+85°C
 - Insulation resistance: ≥1000MΩ
 - Contact resistance: ≤10mΩ
 - After environmental testing: ≤20mΩ

REVISIONS
Authorized Signatures(s)

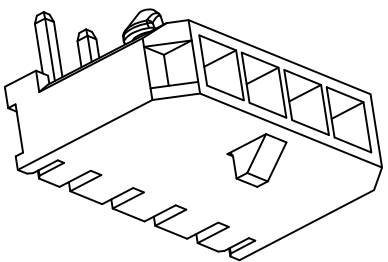
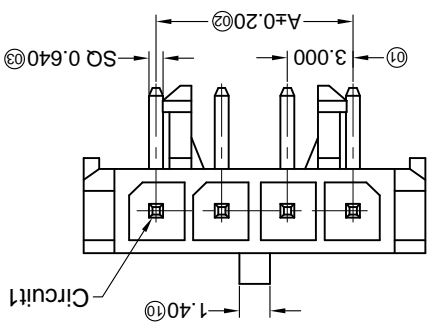
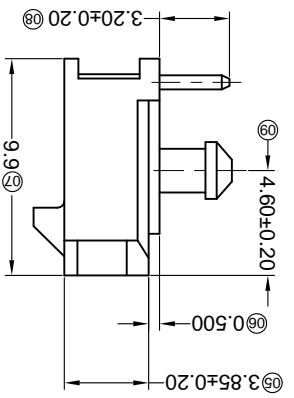
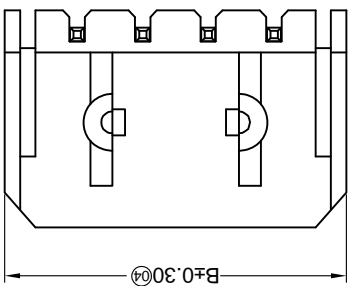
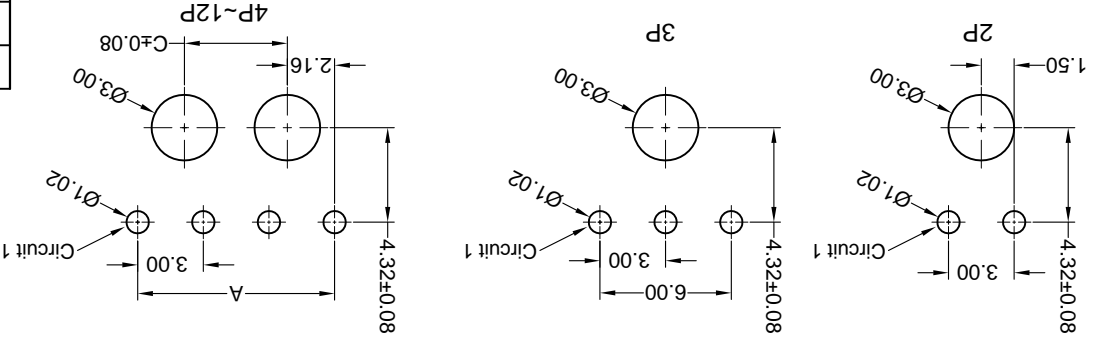
MARK	DESCRIPTION	DATE	REVISED	APPROVED	UNSPECIFIED TOLERANCES
△ X					L > 63 ± 0.5
△ X					16 < L ≤ 63 ± 0.4
△ X					4 < L ≤ 16 ± 0.3
△ X					L ≤ 4 ± 0.2
					ANGULAR ± 5°

For and on behalf of
KKB INDUSTRIAL PRECISION CO., LIMITED
香港星坤工業精密有限公司

KKB INDUSTRIAL PRECISION CO., LIMITED

WEIGHT	1.0g	SHEET	1/1	REVISION	A0
SIZE:	A4	DATE		APPD	
UNIT:	mm	DATE		CHKD	
VIEW:	VIEW: ①	DATE		DWN	
SCALE:	N/A	DATE		DSND	
MODEL TYPE:	X3025WR-XX-XXSNXX	PART NO.:			
		DWG NO.:	3.00mm Crimp Style Connectors		

Recommended P.C.B Layout
General Tolerance ± 0.05



PART NO	Material	Material(Pin)	Finish(Pin)	Mates With KKB Housing
X3025WR-XX-LPNSXX	LCP UL 94V-0	Brass	Tin-Plated	X3025H
X3025WR-XX-N0NSXX	PA9T UL 94V-0			

Poles	Dimensions(mm)			
	A	B	C	Poles
01	---	6.65	---	07
02	3.00	9.65	---	08
03	6.00	12.65	---	09
04	9.00	15.65	4.70	10
05	12.00	18.65	7.70	11
06	15.00	21.65	10.70	12

- ① Series No.
- ② Category: W-water
- ③ Welding Board Angle: R-90°
- ④ Welding Way: Blank-DIP
- ⑤ Row No.-Pin No.: XX-Single row
- ⑥ Plug the Pin & Special No.:
- ⑦ Material: LP-LCP 94V-0 N0-PA9T 94V-0
- ⑧ Plating Category: SN-Bright tin plating 70u" Min.
- ⑨ Color: Blank-Natural Color Black

X3025 W R X - XX X - XX SN XX
① ② ③ ④ ⑤ ⑥ ⑦ ⑧ ⑨

- Specifications :
- Voltage rating: 250V AC / DC
 - Current rating: 5A AC / DC
 - Withstanding voltage: 1500V AC/minute
 - Temperature range: -40°C~+105°C
 - Insulation resistance: ≥1000MΩ
 - Contact resistance: ≤10mΩ
 - After environmental testing: ≤20mΩ

REVISIONS
Unauthorized Signatures(s)

MARK	DESCRIPTION	DATE	REVISED	APPROVED	UNSPECIFIED TOLERANCES
△ X					L > 63
△ X					16 < L ≤ 63
△ X					4 < L ≤ 16
△ X					L ≤ 4
					ANGULAR

For and on behalf of
KXB INDUSTRIAL PRECISION CO., LIMITED
香港星坤工業精密有限公司

KXB INDUSTRIAL PRECISION CO., LIMITED

WEIGHT	1.0g	SHEET	1/1	REVISION	A0
SIZE: A4		DATE		DATE	
UNIT: mm		DATE		DATE	
VIEW:		DATE		DATE	
SCALE: N/A		DATE		DATE	
MODEL TYPE: X3025WR-XXB-XXSN		PART NO.:		PART NO.:	
		3.00mm Crimp Style Connectors		DWG NO.:	

PART NO	Material	Material(Pin)	Finish(Pin)	Mates With XKB Housing
X3025WR-XXB-66SN	PA66 UL 94V-0	Brass	Tin-Plated	X3025H
X3025WR-XXB-LP5N	LCP UL 94V-0			

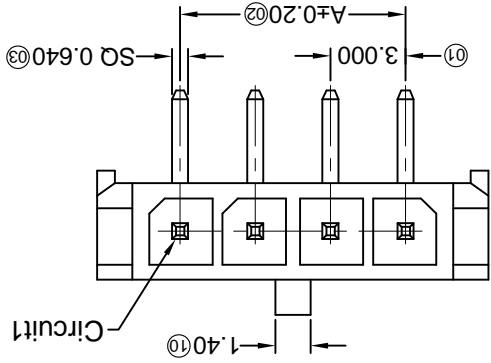
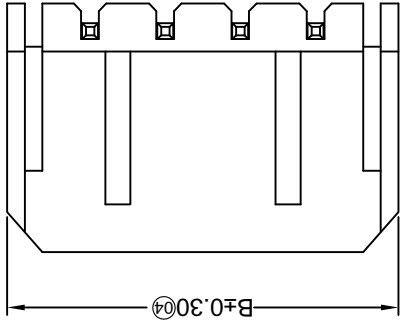
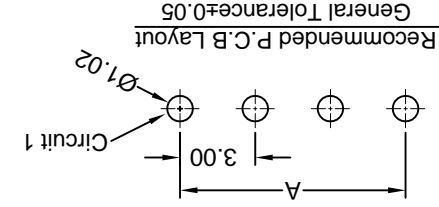
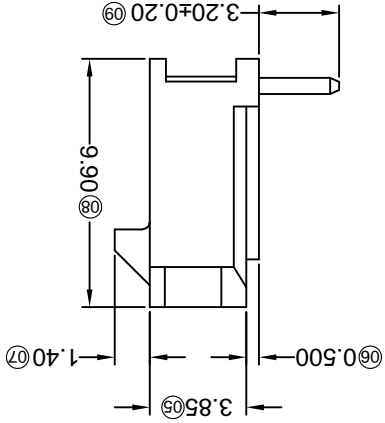
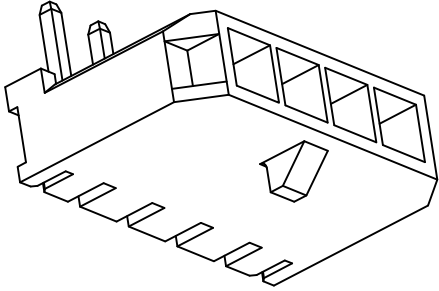
Poles	Dimensions(mm)		Poles		Dimensions(mm)	
	A	B	A	B	A	B
01	---	6.65	07	18.00	24.65	27.65
02	3.00	9.65	08	21.00	27.65	30.65
03	6.00	12.65	09	24.00	30.65	33.65
04	9.00	15.65	10	27.00	33.65	36.65
05	12.00	18.65	11	30.00	36.65	39.65
06	15.00	21.65	12	33.00	39.65	---

- ① Series No.
- ② Category: W-water
- ③ Welding Board Angle: R-90°
- ④ Welding Way: Blank-DIP
- ⑤ Row No.-Pin No.: XX-01P-12P
- ⑥ Plug the Pin & Special No.:
- ⑦ B-Without positioning column
- ⑧ Material: LP-LCP 94V-0;
- ⑨ 66-PA66 94V-0
- ⑩ Planting Category: SN-Bright tin plating
- ⑪ Color: Blank-Natural Color Black

X3025 W R X - XX B - XX SN XX
① ② ③ ④ ⑤ ⑥ ⑦ ⑧ ⑨

- Voltage rating: 250V AC / DC
- Current rating: 5A AC / DC
- Withstanding voltage: 1500V AC/minute
- Temperature range: -40°C~+105°C
- Insulation resistance: ≥1000MΩ
- Contact resistance: ≤10mΩ
- After environmental testing: ≤20mΩ

■ Specifications :



REVISIONS
(Unauthorized Signatures)

MARK	DESCRIPTION	DATE	REVISED	APPROVED	UNSPECIFIED TOLERANCES
△ X					L > 63 ± 0.5
△ X					16 < L ≤ 63 ± 0.4
△ X					4 < L ≤ 16 ± 0.3
					L ≤ 4 ± 0.2
					ANGULAR ± 5°

For and on behalf of
XKB INDUSTRIAL PRECISION CO., LIMITED
香港星坤工業精密有限公司

XKB INDUSTRIAL PRECISION CO., LIMITED

WEIGHT	1.0g
SHEET	1/1
REVISION	A0
SIZE:	A4
UNIT:	mm
VIEW:	
SCALE:	N/A
MODEL TYPE:	X3025WV-XXC-XXSN
PART NO.:	
3.00 mm Crimp Style Connectors	
DWG NO.:	

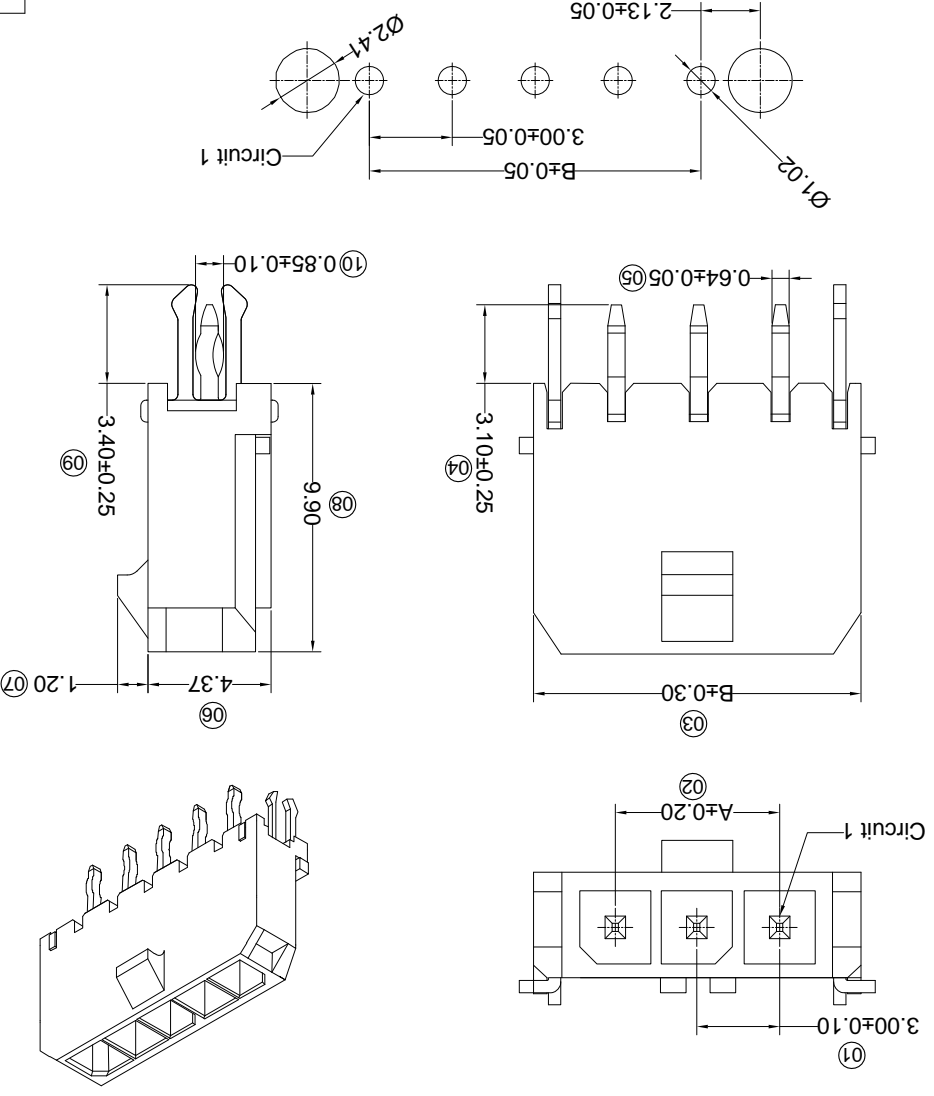
PART NO	Material	Material(Pin)	Finish(Pin)	Mates With XKB Housing
X3025WV-XXC-LPSN	LCP UL 94V-0	Brass	Tin-Plated	X3025H
X3025WV-XXC-66SN	PA66 UL 94V-0			

Poles	A	B
12	33.00	39.65
11	30.00	36.65
10	27.00	33.65
9	24.00	30.65
8	21.00	27.65
7	18.00	24.65
6	15.00	21.65
5	12.00	18.65
4	9.00	15.65
3	6.00	12.65
2	3.00	9.65

- ① Series No. X3025W V X-XXC-XXSNXX
- ② Category: W-water
- ③ Welding Board Angle: V-180°
- ④ Welding Way: Blank-DIP
- ⑤ Row No.-Pin No. XX-Single row
- ⑥ Special NO. C-With a harpoon
- ⑦ Material: LP-LCP 94V-0 66-PA66 94V-0
- ⑧ Plating Category: V**All Gold-Plated
- ⑨ Gold-Plated Contact G**Gold-Plated Contact
- *01-Gold Flash ; *02-2u" ; *03-3u" ; *05-5u" ; *10-10u" ; *15-15u" ; *30-30u" ; *50-50u"
- ⑩ Color: SN-Bright tin plating 70u" ; SN1-Bright tin plating 120u"Min. ; SW-Fog Tin plating ; Blank-natural color

- Specifications :
- Voltage rating: 250V AC / DC
 - Current rating: 5A AC / DC
 - Withstanding voltage: 1000V AC/minute
 - Temperature range: -25°C~+85°C
 - Insulation resistance: ≥1000MΩ
 - Contact resistance: ≤10mΩ
 - After environmental testing: ≤20mΩ

P.C.B LAYOUT



X-ON Electronics

Largest Supplier of Electrical and Electronic Components

Click to view similar products for [Headers & Wire Housings](#) category:

Click to view products by [XKB](#) manufacturer:

Other Similar products are found below :

[95000-104TRLF](#) [10135584-644402LF](#) [DF62W-EP2022PCA](#) [95000-106TRLF](#) [DF62W-2022SCA](#) [DF62W-EP2022PC](#) [2203348](#) [DF62W-2022SC](#) [1084018](#) [1029039](#) [1084017](#) [802-10-012-10-002000](#) [1112640](#) [1112639](#) [891-007-9SS-BST1T](#) [000-34000](#) [0008550134](#) [0009482033](#) [0009507031](#) [57102-F02-18ULF](#) [57102-S06-03LF](#) [57202-S52-04LF](#) [PCN6-15S-2.5E](#) [0039019024](#) [58102-G61-06LF](#) [582553-1](#) [0009485154](#) [0009508121](#) [0022285053](#) [0050291907](#) [018731A](#) [LY20-4P-DT1-P1E-BR](#) [02.125.8002.8](#) [60101931](#) [60598-1 \(Cut Strip\)](#) [M1625-3R/100](#) [61062-3](#) [61082-181009](#) [CSU011177004](#) [636-1427](#) [638009-1](#) [641938-9](#) [641991-4](#) [644168-1](#) [644827-2](#) [647662-1](#) [65039-019ELF](#) [65692-001LF](#) [65781-018](#) [65781-047](#)