

For and on behalf of  
**KRB INDUSTRIAL PRECISION CO., LIMITED**  
 香港星坤工業精密有限公司

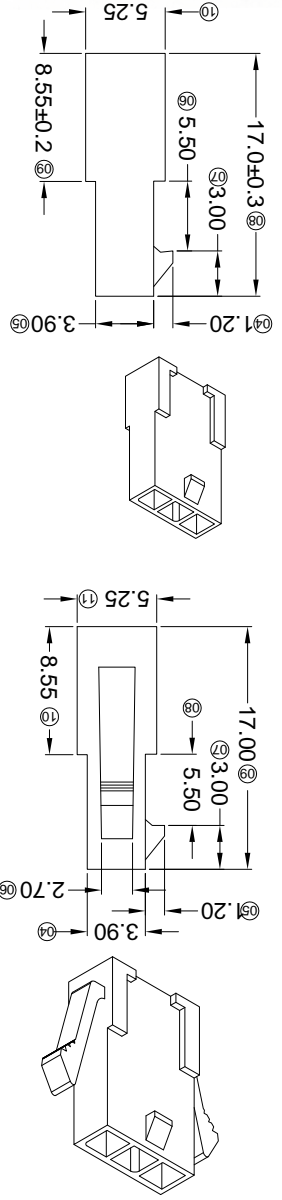
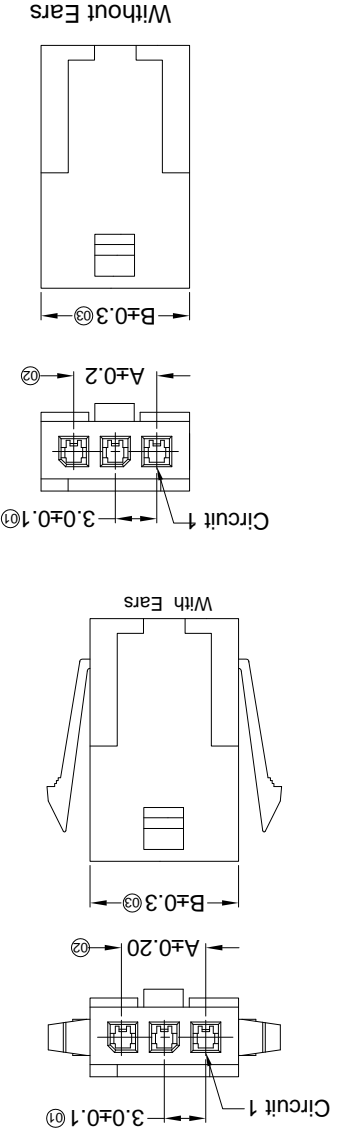
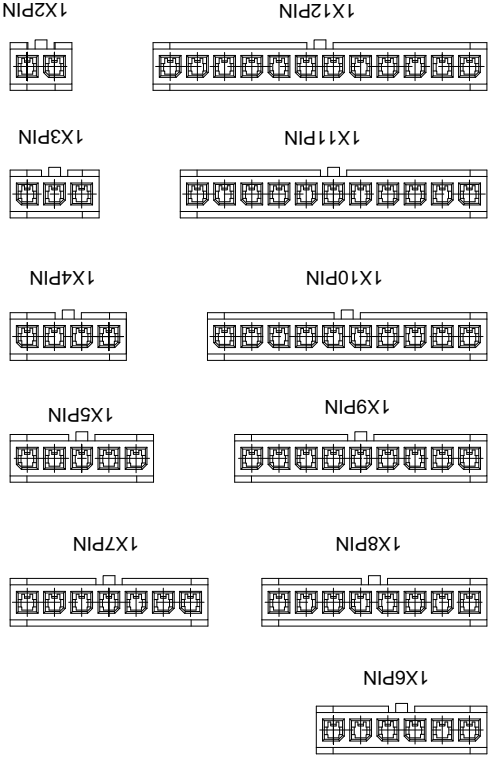
Revisions  
 (Authorized Signature(s))

MARK	DESCRIPTION	DATE	REVISED	APPROVED	UNSPECIFIED TOLERANCES
△ X					$L > 63$ $L > 63$
△ X					$4 < L \leq 16$ $\pm 0.3$
△ X					$L \leq 4$ $\pm 0.2$
					ANGULAR $\pm 5^\circ$

DSND	DATE	SCALE: N/A	MODEL TYPE: X3025HF-XXX-N2
DWN	DATE <td>VIEW: </td> <td>PART NO.: 3.00 mm Crimp Style Connectors</td>	VIEW:	PART NO.: 3.00 mm Crimp Style Connectors
CHKD	DATE <td>UNIT: mm</td> <td>DWG NO.:</td>	UNIT: mm	DWG NO.:
APPD	DATE <td>SIZE: A4</td> <td>WEIGHT 1.0g</td>	SIZE: A4	WEIGHT 1.0g
			SHEET 1/1
			REVISION A0

PART NO	Material	Color	Suitable XKB Terminal	Mates With XKB Housing	Note
X3025HF-XX1-N2WH	Nylon 66 94V-2	White	X3025TM	X3025HM	Without Ears
X3025HF-XX1-N2	Nylon 66 94V-2	Natural Color	X3025TM	X3025HM	Without Ears
X3025HF-XXG-N2WH	Nylon 66 94V-2	White	X3025TM	X3025HM	With Ears
X3025HF-XXG-N2	Nylon 66 94V-2	Natural Color	X3025TM	X3025HM	With Ears

Poles	Dimensions(mm)		Dimensions(mm)	
	A	B	A	B
07	18.00	21.90		
06	15.00	18.90	12	33.00
05	12.00	15.90	11	30.00
04	9.00	12.90	10	27.00
03	6.00	9.90	09	27.90
02	3.00	6.90	08	24.90
			A	B



- Specifications :
- Voltage rating: 250V AC / DC
  - Current rating: 5A AC / DC
  - Withstanding voltage: 1000V AC/minute
  - Temperature range: -40°C~+105°C
  - Insulation resistance:  $\geq 1000M\Omega$
  - Contact resistance:  $\leq 10m\Omega$
  - After environmental testing:  $\leq 20m\Omega$
- ① Series No.
- ② Category: H-HSG
- ③ Welding Board Angle: F-Female HSG
- ④ Row No.-Pin No.: XX-02P~12P
- ⑤ Plug the Pin & special No.: I-Without Ears G-With Ears
- ⑥ Material: N2-PA66 94V-2;
- ⑦ Color: Blank-Natural Color : WH-White

X3025 H F-XX XX-N2 XX  
 ① ② ③ ④ ⑤ ⑥ ⑦

REVISIONS  
*Authorized Signature(s)*

MARK	DESCRIPTION	DATE	REVISED	APPROVED	UNSPECIFIED TOLERANCES
△ X					L > 63
△ X					16 < L ≤ 63
△ X					4 < L ≤ 16
△ X					L ≤ 4
					ANGULAR
					± 5°

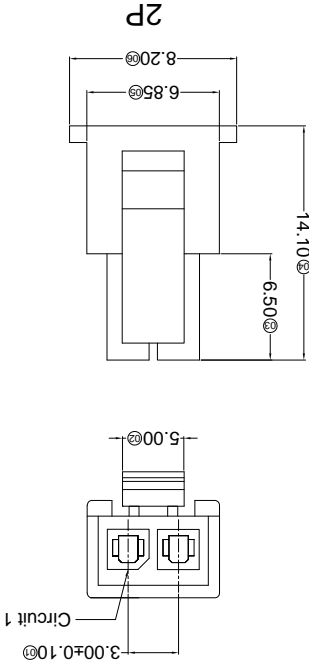
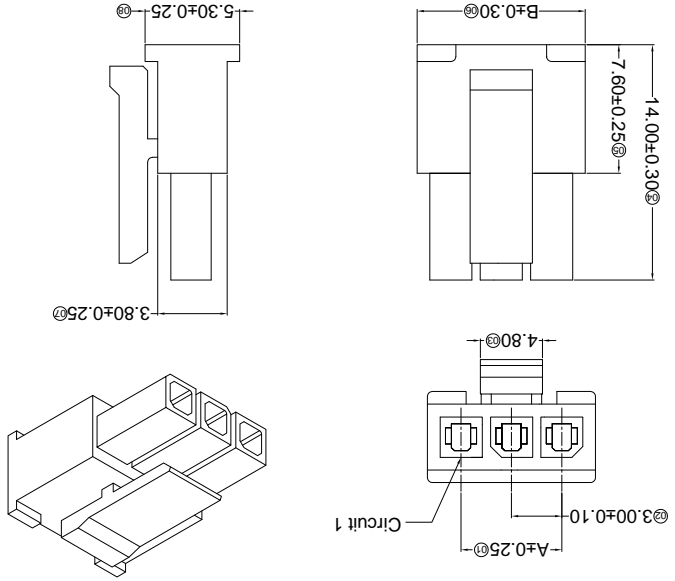
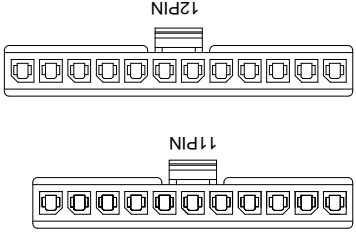
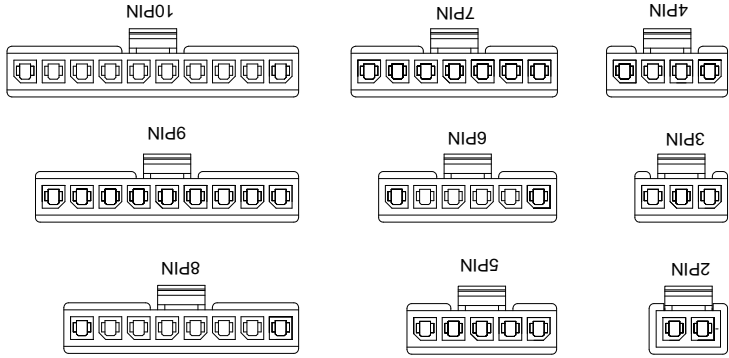
For and on behalf of  
**XKB INDUSTRIAL PRECISION CO., LIMITED**  
香港星坤工業精密有限公司

**XKB INDUSTRIAL PRECISION CO., LIMITED**

WEIGHT	1.0g
SHEET	1/1
REVISION	A0
SIZE: A4	
DATE	
UNIT: mm	
DATE	
VIEW:	
SCALE: N/A	
MODEL TYPE:	X3025HM-XX-N2
PART NO.:	X3025HM-XX-N2
3.00 mm Crimp Style Connectors	
DWG NO.:	

PART NO	Material	Suitable XKB Terminal	Mates With XKB Wafer
X3025HM-XX-N2	Nylon 66 94V-2	X3025TF	X3025W

Poles	Dimensions (mm)		Poles	Dimensions (mm)	
	A	B		A	B
07	18.00	21.85	12	33.00	36.85
06	15.00	18.85	11	30.00	33.85
05	12.00	15.85	10	27.00	30.85
04	9.00	12.85	09	24.00	27.85
03	6.00	9.85	08	21.00	24.85
				A	B



**Specifications :**

- Voltage rating: 250V AC / DC
- Current rating: 5A AC / DC
- Withstanding voltage: 1000V AC/minute
- Temperature range: -40°C~+105°C
- Insulation resistance: ≥1000MΩ
- Contact resistance: ≤10mΩ
- After environmental testing: ≤20mΩ

X3025 H M-XX X-N2 XX

① Series No.

② Category: H-HSG

③ Welding Board Angle: M-Male HGS

④ Row No./Pin No.: XX-02P~12P

⑤ Plug the Pin & special No.

⑥ Material: N2-PA66 94V-2

⑦ Color: Blank-Natural Color

8 7 6 5 4 3 2 1

8 7 6 5 4 3 2 1

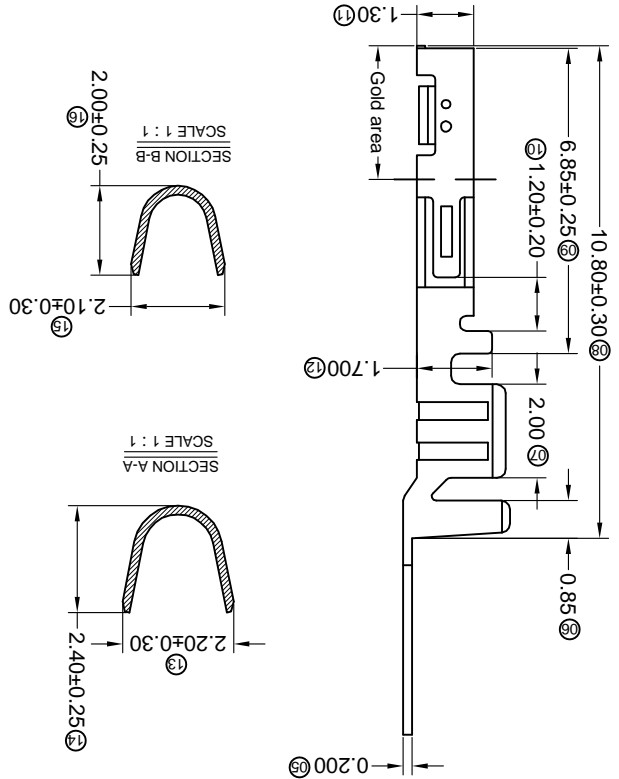
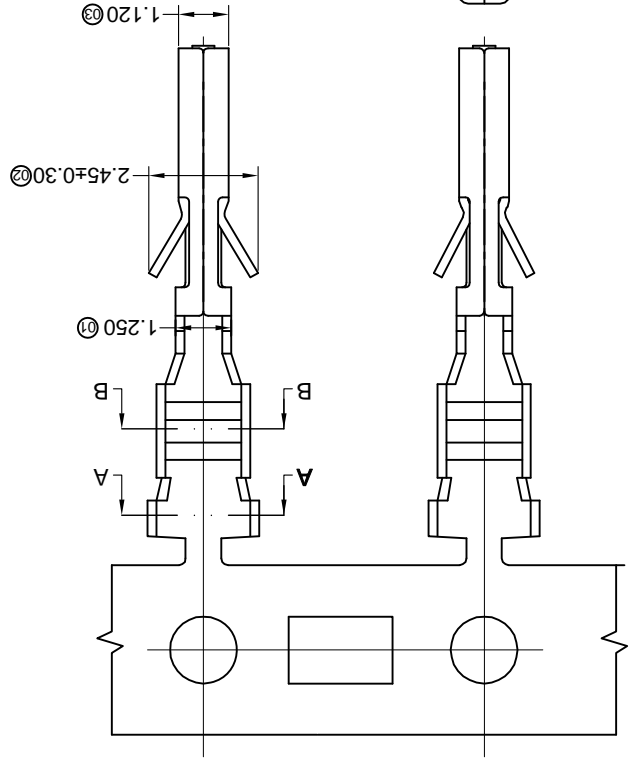
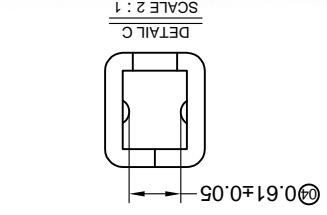
For and on behalf of  
**XKB INDUSTRIAL PRECISION CO., LIMITED**  
 香港星坤工業精密有限公司

REVISIONS  
 (Unauthorized Signatures)

MARK	DESCRIPTION	DATE	REVISED	APPROVED	UNSPECIFIED TOLERANCES
△ X					L > 63 ± 0.5
△ X					16 > L ≤ 63 ± 0.4
△ X					4 < L ≤ 16 ± 0.3
△ X					L ≤ 4 ± 0.2
					ANGULAR ± 5°

DATE	DATE	DATE	DATE	DATE	DATE	DATE	DATE	DATE	DATE
DNSD	DWN	CHKD	APPD						
SCALE: N/A	VIEW:	UNIT: mm	SIZE: A4						
MODEL TYPE: X3025TF-PXXX	PART NO.:	3.00 mm Crimp Style Connectors							
		DWG NO.:							
		WEIGHT: 1.0g							
		SHEET: 1/1							
		REVISION: A0							

PART NO	Material	Wire Range	Insulation O.D.	Finish	Used in XKB Housing
X3025TF-PG30	Phosphor Bronze	AWG#20-24	1.85mm(Max)	Stamping Before Plating:30~50u" Ni;Contact Area Gold:30u" Min.	X3025HM
X3025TF-PG15				Stamping Before Plating:30~50u" Ni;Contact Area Gold:15u" Min.	
X3025TF-PG01				Stamping Before Plating:30~50u" Ni;Contact Area Gold Flash	
X3025TF-PSN				Stamping Before Plating:30~50u" Ni;70~120u" Sn	



■ Specifications :

- Voltage rating: 250V AC / DC
- Current rating: 5A AC / DC
- Withstanding voltage: 1000V AC/minute
- Temperature range: -40°C~+85°C
- Insulation resistance: ≥1000MΩ
- Contact resistance: ≤10mΩ
- After environmental testing: ≤20mΩ

X3025 T-F-P XX X-X  
 ①① Series Number  
 ①② Category: T-terminal  
 ①③ Shape: F-Female Terminal  
 ①④ Material: P-Phosphor bronze  
 ①⑤ Plating style:  
 ①⑥ G-Gold-Plated Contact  
 \*01-Gold Flash \*15-15u" \*30-30u"  
 SN-Bright tin plating 70-120u"  
 ①⑦ Plating method:  
 Blank-Stamping before plating  
 ①⑧ Mold No./Mark/Special No.

For and on behalf of  
**KXB INDUSTRIAL PRECISION CO., LIMITED**  
 香港星坤工業精密有限公司

REVISIONS  
 Authorized Signature(s)

MARK	DESCRIPTION	DATE	REVISED	APPROVED	UNSPECIFIED TOLERANCES
△ X					L > 63 ± 0.5
△ X					16 > L ≤ 63 ± 0.4
△ X					4 < L ≤ 16 ± 0.3
△ X					L ≤ 4 ± 0.2
					ANGULAR ± 5°

REVISION	SHEET	WEIGHT	DATE	DATE	DATE	DATE	DATE
A0	1/1	1.0g					

**KXB INDUSTRIAL PRECISION CO., LIMITED**

DSND	SCALE: N/A	DATE	VIEW:	UNIT: mm	SIZE: A4

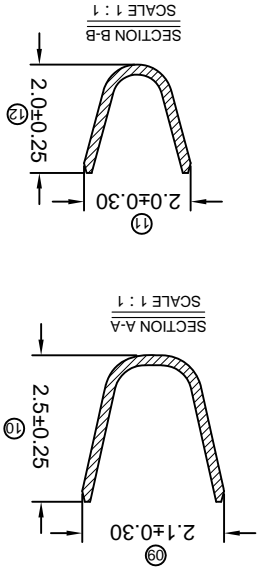
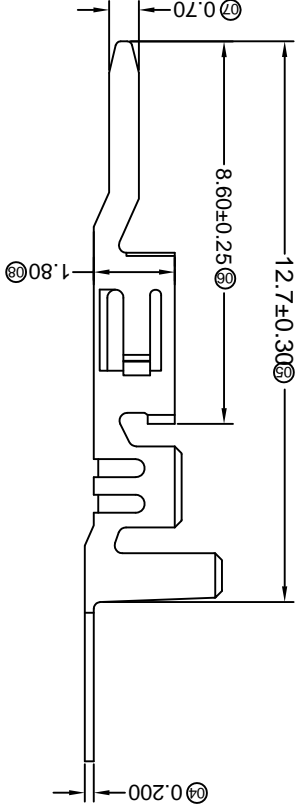
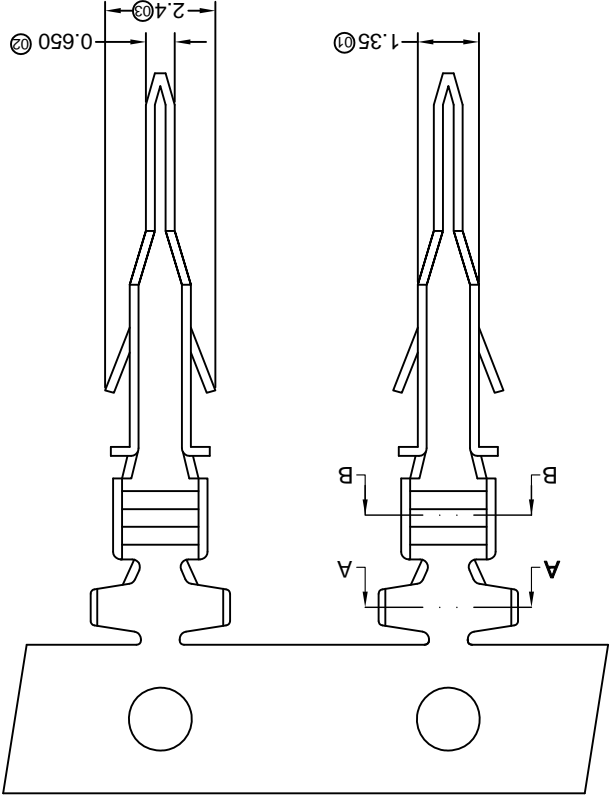
DWN	DATE	PART NO.:	MODEL TYPE:
		X3025TM-PXX	X3025TM-PXX

CHKD	DATE	3.00 mm Crimp Style Connectors

APPD	DATE	DWG NO.:

PART NO	Material	Wire Range	Insulation O.D.	Finish
X3025TM-PSN	Phosphor Bronze AWG#20-24	1.85mm(Max)		Stamping Before Plating:30u" Ni;70u" Sn
X3025TM-PG01				Stamping Before Plating:30u" Ni;Contact Area Gold Flash
X3025TM-PG15				Stamping Before Plating:30u" Ni;Contact Area Gold:15u" Min.
X3025TM-PG30				Stamping Before Plating:30u" Ni;Contact Area Gold:30u" Min.

Used in XKB Housing



- Specifications :**
- Voltage rating: 250V AC / DC
  - Current rating: 5A AC / DC
  - Withstanding voltage: 1000V AC/minute
  - Temperature range: -25°C~+85°C
  - Insulation resistance: ≥1000MΩ
  - Contact resistance: ≤10mΩ
  - After environmental testing: ≤20mΩ
- X3025 T M-P XX X-X**
- ① Series Number
  - ② Category: T-terminal
  - ③ Shape: M-Male Terminal
  - ④ Material: P-Phosphor bronze
  - ⑤ Plating style: G-Gold-Plated Contact
  - ⑥ Plating method: SN-Bright tin plating 70u"
  - ⑦ \*01-Gold Flash \*15-15u" \*30-30u"
  - ⑧ Mold No./Mark/Special No.

REVISIONS  
*Unauthorized Signature(s)*

For and on behalf of  
**XKB INDUSTRIAL PRECISION CO., LIMITED**  
香港星坤工業精密有限公司

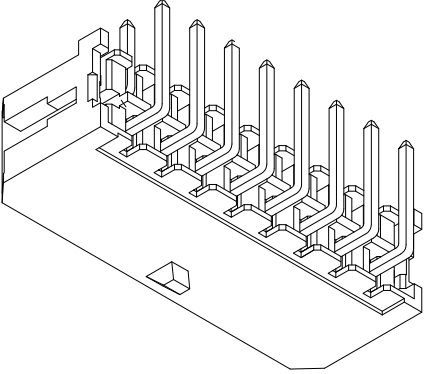
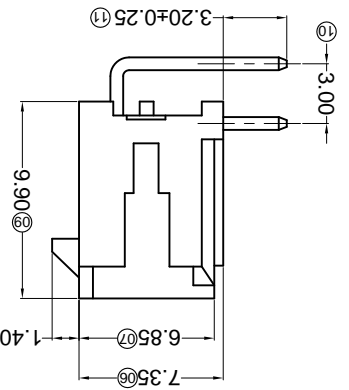
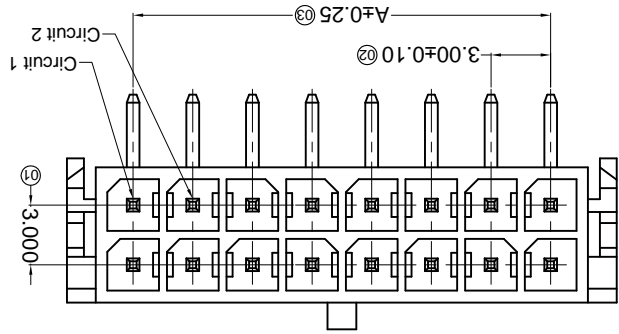
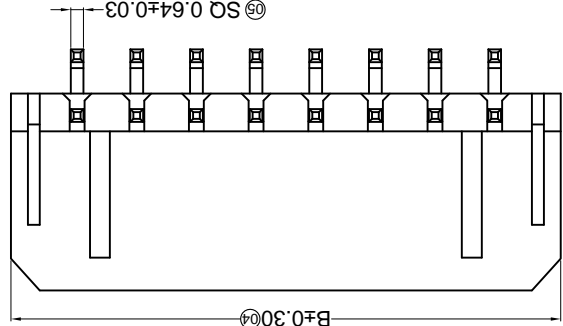
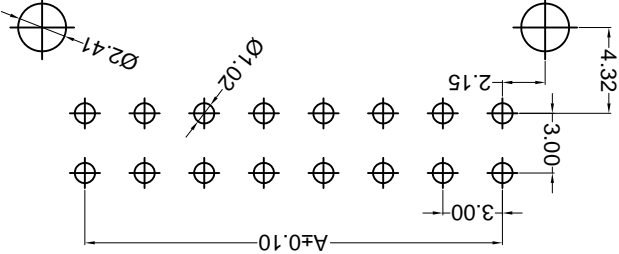
MARK	DESCRIPTION	DATE	REVISED	APPROVED	UNSPECIFIED TOLERANCES
△ X					L > 63
△ X					16 < L ≤ 63
△ X					4 < L ≤ 16
					L ≤ 4
					ANGULAR
					± 5°
					± 0.5

DATE	SCALE: N/A	MODEL TYPE: X3025WR-2*XXB-XXSN
DNSD	VIEW:	PART NO.:
DWN	UNIT: mm	3.00 mm Crimp Style Connectors
CHKD	DATE	DWG NO.:
APPD	DATE	SIZE: A4
	WEIGHT	REVISION
	SHEET	A0

Poles	Dimensions (mm)		Poles	
	A	B	A	B
2*01	---	6.65	2*07	18.00
2*02	3.00	9.65	2*08	21.00
2*03	6.00	12.65	2*09	24.00
2*04	9.00	15.65	2*10	27.00
2*05	12.00	18.65	2*11	30.00
2*06	15.00	21.65	2*12	33.00
				39.65

Part No.	Material	Material(Pin)	Finish(Pin)	Mates With XKB Housing
X3025WR-2*XXB-66SN	Nylon 66 UL 94V-0	Brass	Tin-Plated	X3025H
X3025WR-2*XXB-46SN	Nylon 46 UL 94V-0			
X3025WR-2*XXB-L-PSN	LCP UL 94V-0			

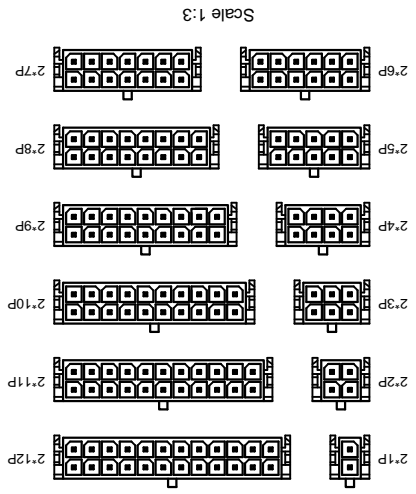
Recommended P.C.B Layout  
General Tolerance±0.05



**Specifications :**

- Voltage rating: 250V AC / DC
- Current rating: 5A AC / DC
- Withstanding voltage: 1000V AC/minute
- Temperature range: -25°C~+85°C
- Insulation resistance: ≥1000MΩ
- Contact resistance: ≤10mΩ
- After environmental testing: ≤20mΩ

X3025 W R X-2\*XX B-XX XX XX  
① Series No.  
② Category: W-water  
③ Welding Board Angle: R-90°  
④ Welding Way: Blank-DIP  
⑤ Row No.-Pin No.: 2\*XX-2\*01P-2\*12P  
⑥ Special NO.: B-Without positioning column  
⑦ Material: 46-PA46 94V-0 66-PA66 94V-0 LP-LCP 94V-0  
⑧ Plating Category: SN-Bright tin plating  
⑨ Color: Blank-natural color



For and on behalf of  
**XKB INDUSTRIAL PRECISION CO., LIMITED**  
 香港星坤工業精密有限公司

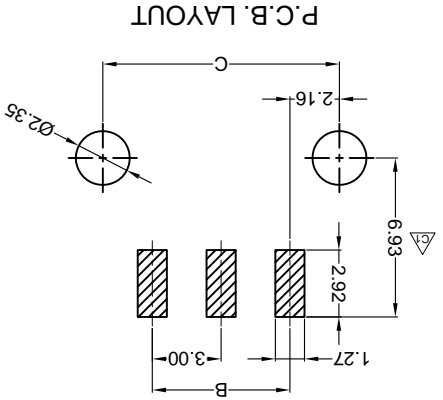
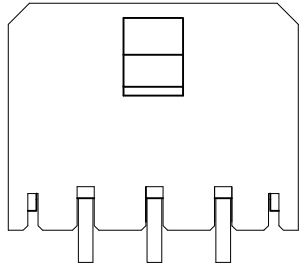
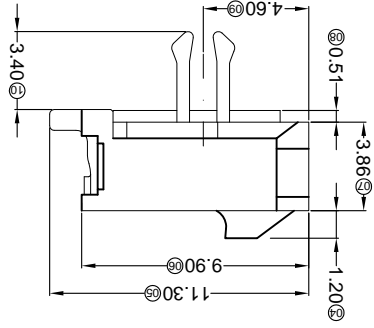
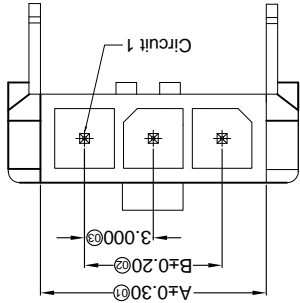
REVISIONS  
 Authorized Signature(s)

MARK	DESCRIPTION	DATE	REVISED	APPROVED	UNSPECIFIED TOLERANCES
△ X					L > 63 ± 0.5
△ X					16 < L ≤ 63 ± 0.4
△ X					4 < L ≤ 16 ± 0.3
△ X					L ≤ 4 ± 0.2
					ANGULAR ± 5°

DSND	DATE	SCALE: N/A	MODEL TYPE: X3025WRS-XXC-XXXX
DWN	DATE	VIEW:	PART NO.:
CHKD	DATE	UNIT: mm	3.00 mm Crimp Style Connectors
APPD	DATE	SIZE: A4	DWG NO.:

WEIGHT	SHEET	REVISION
1.0g	1/1	A0

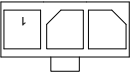
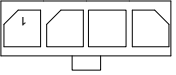
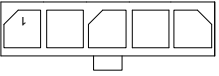
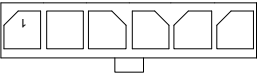
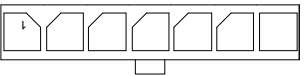
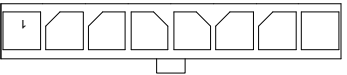
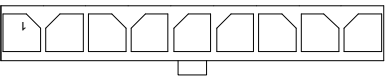
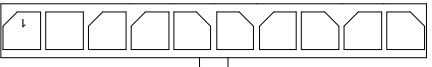
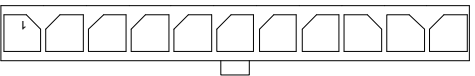
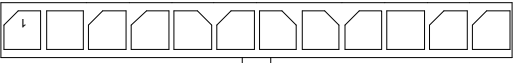
PART NO	Material	Material(Pin)	Finish(Pin)	Material (Solder Tabs) (Solder Tabs)	Finish (Solder Tabs)	Mates With XKB Housing
3025WRS-XXC-66SN	PA66 UL 94V-0	Brass	Tin-Plated	Brass	Tin-Plated	X3025H
3025WRS-XXC-LPSN	LCP UL 94V-0		Tin Plating Fog			
3025WRS-XXC-LPSW	LCP UL 94V-0					



- X3025 W R S-XX C-XX XX XX
- ① Series No.
  - ② Category: W-water
  - ③ Welding Board Angle: R-90°
  - ④ Welding Way: S-SMT
  - ⑤ Row No.-Pin No.: XX-Single row
  - ⑥ Special NO.: C-The harpoon
  - ⑦ Material: LP-LCP 94V-0-66-PA66 94V-0
  - ⑧ Plating Category: SN-Bright tin plating 70U
  - ⑨ SW-Fog Tin plating
  - ⑩ Color: Blank-natural color

- Specifications :
- Voltage rating: 250V AC / DC
  - Current rating: 5A AC / DC
  - Withstanding voltage: 1000V AC/minute
  - Temperature range: -25°C~+85°C
  - Insulation resistance: ≥1000MΩ
  - Contact resistance: ≤10mΩ
  - After environmental testing: ≤20mΩ

Poles	Dimensions (mm)		
	A	B	C
02	6.85	3.00	7.30
03	9.85	6.00	10.30
04	12.85	9.00	13.30
05	15.85	12.00	16.30
06	18.85	15.00	19.30
07	21.85	18.00	22.30
08	24.85	21.00	25.30
09	27.85	24.00	28.30
10	30.85	27.00	31.30
11	33.85	30.00	34.30
12	36.85	33.00	37.30



8 7 6 5 4 3 2 1

8 7 6 5 4 3 2 1

REVISIONS  
Authorized Signatures(s)

MARK	DESCRIPTION	DATE	REVISED	APPROVED	UNSPECIFIED TOLERANCES
△ X					L > 63 ± 0.5
△ X					16 > L ≤ 63 ± 0.4
△ X					4 < L ≤ 16 ± 0.3
△ X					L ≤ 4 ± 0.2
					ANGULAR ± 5°

For and on behalf of  
KKB INDUSTRIAL PRECISION CO., LIMITED  
香港星坤工業精密有限公司

KKB INDUSTRIAL PRECISION CO., LIMITED

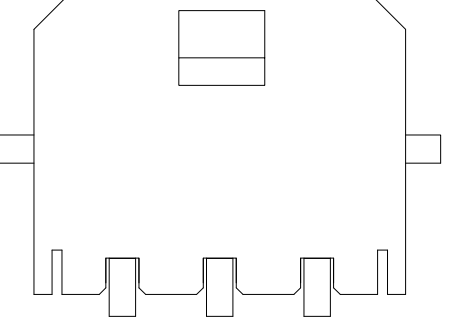
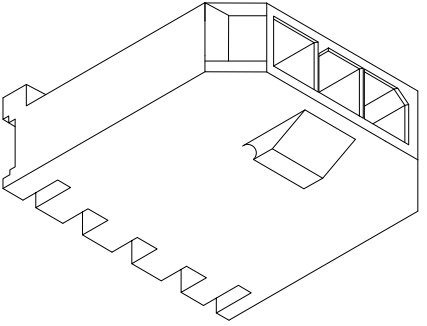
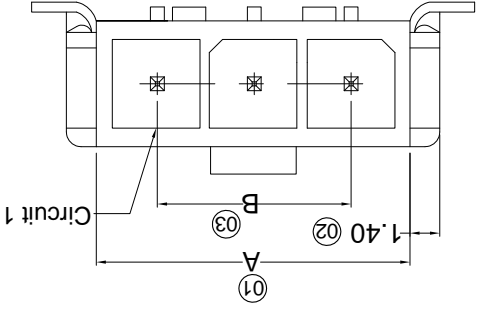
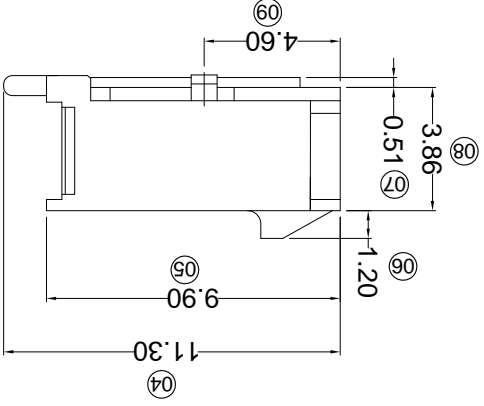
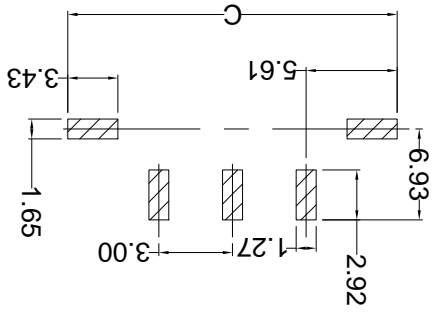
WEIGHT	SHEET	REVISION
1.0g	1/1	A0

DATE	DATE	DATE	DATE	DATE	DATE
DATE	DATE	DATE	DATE	DATE	DATE

SIZE: A4	UNIT: mm	VIEW: ①	SCALE: N/A
SIZE: A4	UNIT: mm	VIEW: ①	SCALE: N/A

PART NO	Material	Material(Pin)	Finish(Pin)	Material (Solder Tabs)	Finish (Solder Tabs)	Mates With XKB Housing
X3025WRS-XXD-LP5W	LCP UL 94V-0	Brass	Tin Plating Fog	Brass	Tin-Plated	X3025H
X3025WRS-XXD-LP615	LCP UL 94V-0	Brass	Contact Area Gold: 15u" Min.	Brass	Tin-Plated	X3025H

P.C.B. LAYOUT



- X3025 W R S- XX D-LP SW XX
- ① Series No.
  - ② Category:
  - ③ W-water
  - ④ Welding Board Angle:
  - ⑤ R-90°
  - ⑥ Welding Way:
  - ⑦ S-SMT
  - ⑧ Row No.-Pin No.
  - ⑨ XX-Single row
  - ⑩ Special NO.
  - ⑪ D-Solder Tabs
  - ⑫ Material:
  - ⑬ LP-LCP 94V-0
  - ⑭ Planting Category:
  - ⑮ V\*\*:All Gold-Plated
  - ⑯ G\*\*:Gold-Plated Contact
  - ⑰ \*01-Gold Flash ; \*02-2U" ; \*03-3U" ; \*05-5U"
  - ⑱ \*10-10U" ; \*15-15U" ; \*30-30U" ; \*50-50U"
  - ⑲ SN-Bright tin plating 70U"
  - ⑳ SN1-Bright tin plating 120U"Min. ;
  - ㉑ SW-Fog Tin plating
  - ㉒ Color:
  - ㉓ Blank-natural color

Poles	A	B	C
12	36.85	33.00	44.20
11	33.85	30.00	41.20
10	30.85	27.00	38.20
9	27.85	24.00	35.20
8	24.85	21.00	32.20
7	21.85	18.00	29.20
6	18.85	15.00	26.20
5	15.85	12.00	23.20
4	12.85	9.00	20.20
3	9.85	6.00	17.20
2	6.85	3.00	14.20
	A	B	C

- Specifications :
- Voltage rating: 250V AC / DC
  - Current rating: 5A AC / DC
  - Withstanding voltage: 1000V AC/minute
  - Temperature range: -25°C~+85°C
  - Insulation resistance: ≥1000MΩ
  - Contact resistance: ≤10mΩ
  - After environmental testing: ≤20mΩ
  - Mark "\*"Indicate Dimensions Need To Controlled In Emphasis





For and on behalf of  
**KKB INDUSTRIAL PRECISION CO., LIMITED**  
 香港星坤工業精密有限公司

MARK	DESCRIPTION	DATE	REVISIONS	UNSPECIFIED TOLERANCES
△ X				L > 63 ± 0.5
△ X				16 < L ≤ 63 ± 0.4
△ X				4 < L ≤ 16 ± 0.3
△ X				L ≤ 4 ± 0.2
				ANGULAR ± 5°

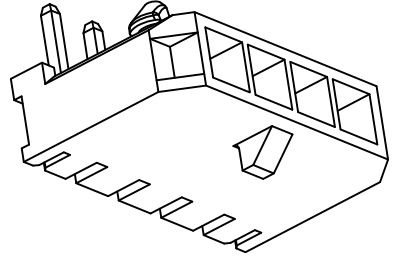
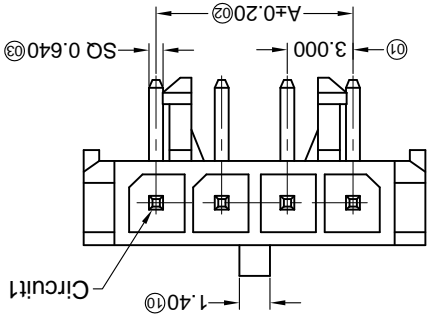
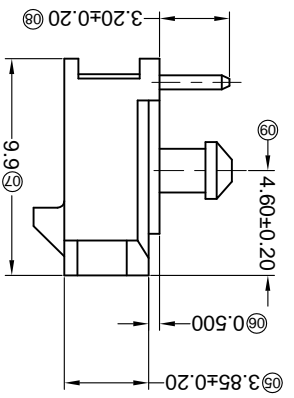
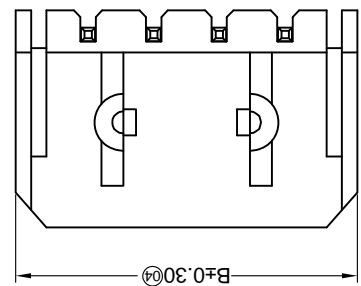
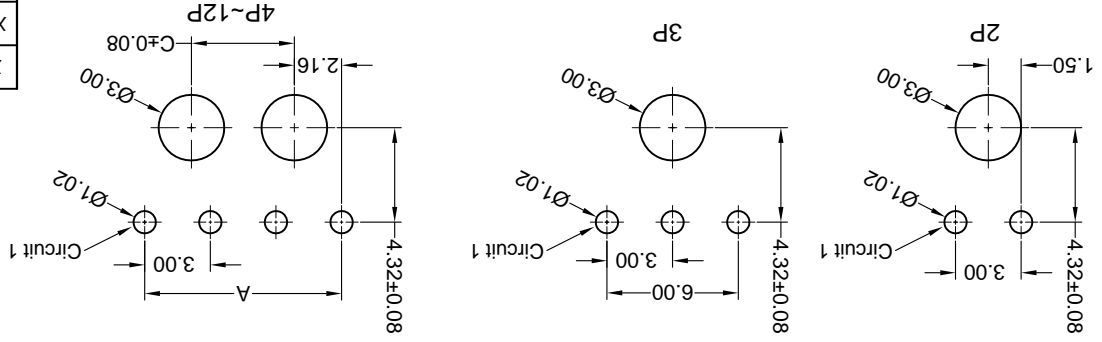
REVISIONS	DATE	DESCRIPTION	UNSPECIFIED TOLERANCES
APPROVED			L > 63 ± 0.5
REVISED			16 < L ≤ 63 ± 0.4
APPROVED			4 < L ≤ 16 ± 0.3
			L ≤ 4 ± 0.2
			ANGULAR ± 5°

DSND	DATE	SCALE: N/A	MODEL TYPE: X3025WR-XX-XXSNXX
DWN	DATE	VIEW:	PART NO.:
CHKD	DATE	UNIT: mm	3.00mm Crimp Style Connectors
APPD	DATE	SIZE: A4	DWG NO.:

PART NO	Material	Material(Pin)	Finish(Pin)	Mates With KKB Housing
X3025WR-XX-LPNSXX	LCP UL 94V-0	Brass	Tin-Plated	X3025H
X3025WR-XX-N0NSXX	PA9T UL 94V-0			

Poles	Dimensions(mm)			
	A	B	C	Poles
01	---	6.65	---	07
02	3.00	9.65	---	08
03	6.00	12.65	---	09
04	9.00	15.65	4.70	10
05	12.00	18.65	7.70	11
06	15.00	21.65	10.70	12

Recommended P.C.B Layout  
 General Tolerance±0.05



- Specifications :**
- Voltage rating: 250V AC / DC
  - Current rating: 5A AC / DC
  - Withstanding voltage: 1500V AC/minute
  - Temperature range: -40°C~+105°C
  - Insulation resistance: ≥1000MΩ
  - Contact resistance: ≤10mΩ
  - After environmental testing: ≤20mΩ

X3025 W R X - XX X - XX SN XX

- ① Series No.
- ② Category: W-water
- ③ Welding Board Angle: R-90°
- ④ Welding Way: Blank-DIP
- ⑤ Row No.-Pin No.: XX-Single row
- ⑥ Plug the Pin & Special No.:
- ⑦ Material: LP-LCP 94V-0 N0-PA9T 94V-0
- ⑧ Plating Category: SN-Bright tin plating 70u" Min.
- ⑨ Color: Blank-Natural Color Black

REVISIONS  
*Unauthorized Signatures(s)*

MARK	DESCRIPTION	DATE	REVISED	APPROVED	UNSPECIFIED TOLERANCES
△ X					L > 63
△ X					16 < L ≤ 63
△ X					4 < L ≤ 16
△ X					L ≤ 4
					ANGULAR

*For and on behalf of*  
KXB INDUSTRIAL PRECISION CO., LIMITED  
香港星坤工業精密有限公司

KXB INDUSTRIAL PRECISION CO., LIMITED

WEIGHT	1.0g	SHEET	1/1	REVISION	A0
SIZE: A4		DATE		APPD	
UNIT: mm		DATE		CHKD	
VIEW:		DATE		DWN	
SCALE: N/A		DATE		DSND	

MODEL TYPE: X3025WR-XXB-XXSN  
PART NO.: X3025WR-XXB-XXSN  
3.00mm Crimp Style Connectors  
DWG NO.:

PART NO	Material	Material(Pin)	Finish(Pin)	Mates With XKB Housing
X3025WR-XXB-66SN	PA66 UL 94V-0	Brass	Tin-Plated	X3025H
X3025WR-XXB-LP5N	LCP UL 94V-0			

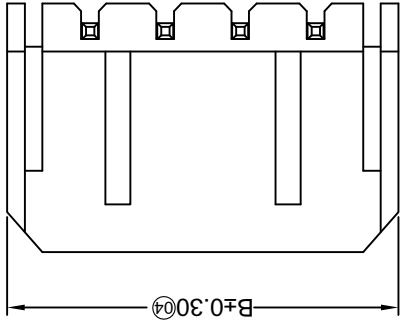
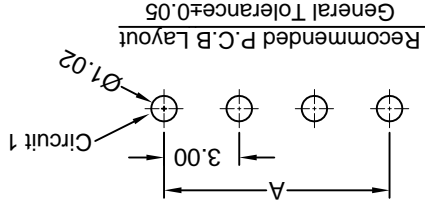
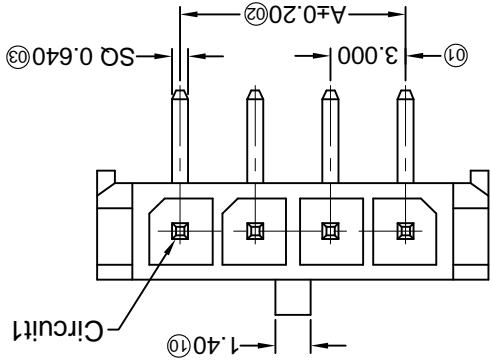
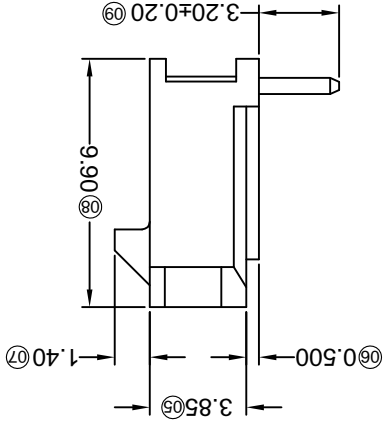
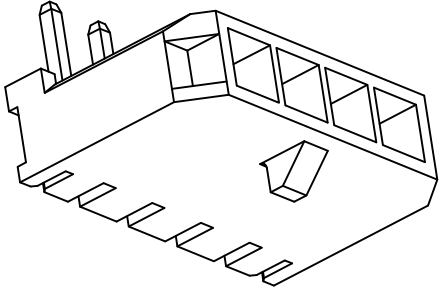
Poles	Dimensions(mm)		Poles		Dimensions(mm)	
	A	B	A	B	A	B
01	---	6.65	07	18.00	24.65	27.65
02	3.00	9.65	08	21.00	27.65	30.65
03	6.00	12.65	09	24.00	30.65	33.65
04	9.00	15.65	10	27.00	33.65	36.65
05	12.00	18.65	11	30.00	36.65	39.65
06	15.00	21.65	12	33.00	39.65	---

- ① Series No.
- ② Category: W-water
- ③ Welding Board Angle: R-90°
- ④ Welding Way: Blank-DIP
- ⑤ Row No.-Pin No.: XX-01P-12P
- ⑥ Plug the Pin & Special No.:
- ⑦ B-Without positioning column
- ⑧ Material: LP-LCP 94V-0;
- ⑨ 66-PA66 94V-0
- ⑩ Planting Category: SN-Bright tin plating
- ⑪ Color: Blank-Natural Color Black

X3025 W R X - XX B - XX SN XX  
① ② ③ ④ ⑤ ⑥ ⑦ ⑧ ⑨

- Voltage rating: 250V AC / DC
- Current rating: 5A AC / DC
- Withstanding voltage: 1500V AC/minute
- Temperature range: -40°C~+105°C
- Insulation resistance: ≥1000MΩ
- Contact resistance: ≤10mΩ
- After environmental testing: ≤20mΩ

■ Specifications :



*For and on behalf of*  
KXB INDUSTRIAL PRECISION CO., LIMITED  
香港星坤工業精密有限公司

Recommended P.C.B Layout  
General Tolerance±0.05

For and on behalf of  
**KXB INDUSTRIAL PRECISION CO., LIMITED**  
 香港星坤工業精密有限公司

Authorized Signatures

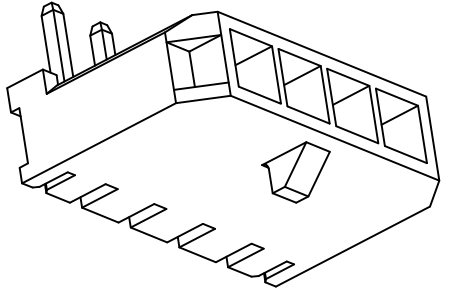
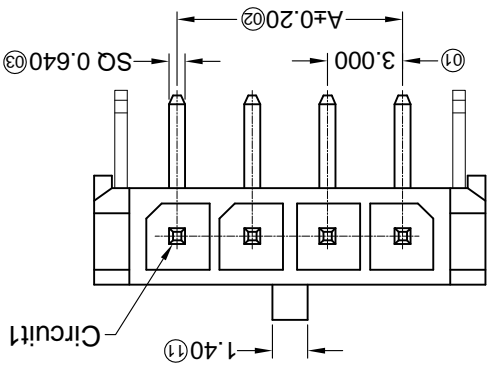
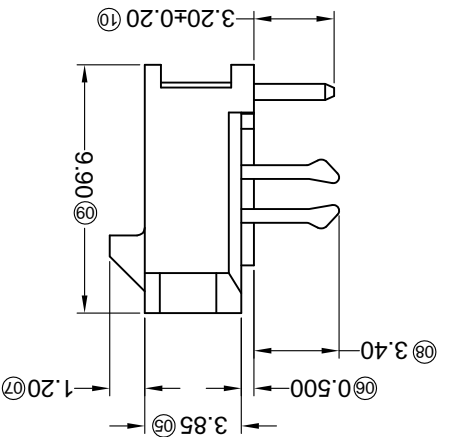
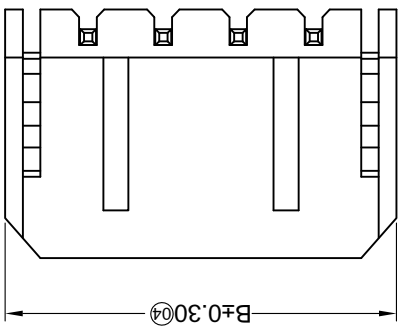
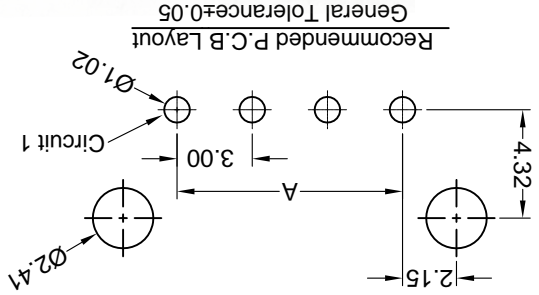
MARK	DESCRIPTION	DATE	REVISIONS	UNSPECIFIED TOLERANCES
△ X				L > 63 ±0.5
△ X				16 < L ≤ 63 ±0.4
△ X				4 < L ≤ 16 ±0.3
△ X				L ≤ 4 ±0.2
				ANGULAR ±5°

REVISION	SHEET	WEIGHT	DATE	DATE	DATE	DATE
A0	1/1	1.0g				

APPD	CHKD	DWN	DSND

SIZE: A4	UNIT: mm	VIEW: ①	SCALE: N/A

PART NO.:	MODEL TYPE:
3.00mm Crimp Style Connectors	X3025WR-XXC-XXSN



Poles	Dimensions(mm)		Material	Finish(Pin)	Mates With XKB Housing
	A	B			
06	15.00	21.65	Brass	Tin-Plated	X3025H
05	12.00	18.65	LCP UL 94V-0		
04	9.00	15.65	LCP UL 94V-0		
03	6.00	12.65	LCP UL 94V-0		
02	3.00	9.65	LCP UL 94V-0		
01	---	6.65	LCP UL 94V-0		
	A	B			

- ① Series No.
- ② Category: W-water
- ③ Welding Board Angle: R-90°
- ④ Welding Way: Blank-DIP
- ⑤ Row No.-Pin No.: XX-01P-12P
- ⑥ Plug the Pin & Special No.: C-The harpoon
- ⑦ Material: LP-LCP 94V-0;
- ⑧ 66-PA66 94V-0
- ⑨ Planting Category: SN-Bright tin plating
- ⑩ Color: Blank-Natural Color Black

X3025 W R X - XX C - XX SN XX

- Specifications :
- Voltage rating: 250V AC / DC
  - Current rating: 5A AC / DC
  - Withstanding voltage: 1500V AC/minute
  - Temperature range: -40°C~+105°C
  - Insulation resistance: ≥1000MΩ
  - Contact resistance: ≤10mΩ
  - After environmental testing: ≤20mΩ

For and on behalf of  
**KKB INDUSTRIAL PRECISION CO., LIMITED**  
 香港星坤工業精密有限公司

Authorized Signatures

MARK	DESCRIPTION	DATE	REVISED	APPROVED	UNSPECIFIED TOLERANCES
△ X					L > 63
△ X					16 < L ≤ 63
△ X					L ≤ 4
△ X					4 < L ≤ 16
					L ≤ 4
					ANGULAR
					± 5°

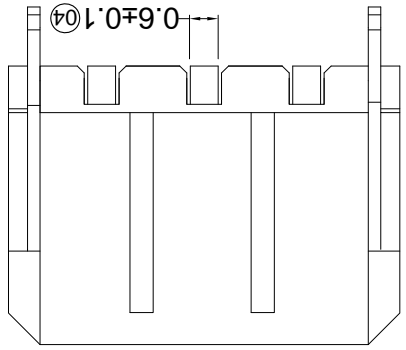
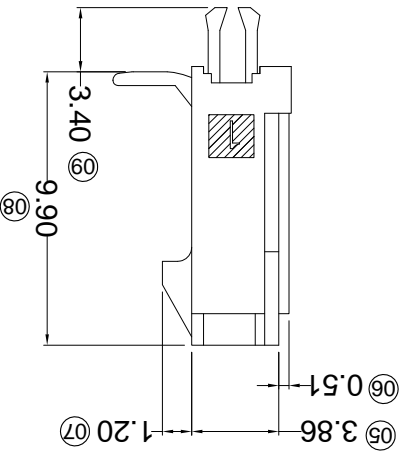
REVISIONS	DATE	DESCRIPTION
APPD	DATE	SIZE: A4
CHKD	DATE	UNIT: mm
DWN	DATE	VIEW: ①
DSND	DATE	SCALE: N/A

MODEL TYPE:	X3025WVS-XXC-XXXX
PART NO.:	X3025WVS-XXC-XXXX
3.00 mm Crimp Style Connectors	
DWG NO.:	
WEIGHT	1.0g
SHEET	1/1
REVISION	A0

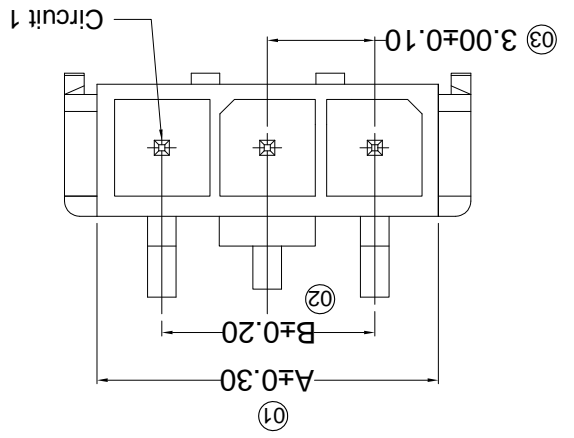
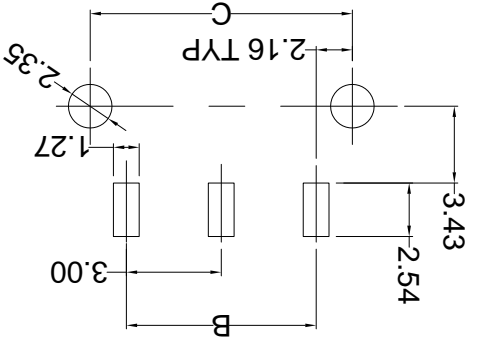
PART NO	Material	Material(Pin)	Finish(Pin)	Material (Solder Tabs)	Finish (Solder Tabs)	Mates With KKB Housing
X3025WVS-XXC-66SN	PA66 UL 94V-0	Brass	Tin-Plated	Brass	Tin-Plated	X3025H
X3025WVS-XXC-LPSW	LCP UL 94V-0	Brass	Tin Plating Fog	Brass	Tin-Plated	X3025H

Poles	A	B	C
02	6.85	3.00	7.30
03	9.85	6.00	10.30
04	12.85	9.00	13.30
05	15.85	12.00	16.30
06	18.85	15.00	19.30
07	21.85	18.00	22.30
08	24.85	21.00	25.30
09	27.85	24.00	28.30
10	30.85	27.00	31.30
11	33.85	30.00	34.30
12	36.85	33.00	37.30

- ① Series No. X3025 W V S - XX C-XX XX XX
- ② Category: W-water
- ③ Welding Board Angle: V-180°
- ④ Welding Way: S-SMT
- ⑤ Row No.-Pin No. XX-Single row
- ⑥ Special NO. C-The harpoon
- ⑦ Material: LP-LCP 94V-0 66-PA66 94V-0
- ⑧ Plating Category: V-All Gold-Plated
- ⑨ G\*-Gold-Plated Contact
- ⑩ \*01-Gold Flash : \*02-2U" : \*03-3U" : \*05-5U" \*10-10U" : \*15-15U" : \*30-30U" : \*50-50U"
- ⑪ SN-Bright tin plating 70U"
- ⑫ SN1-Bright tin plating 120U"Min. :
- ⑬ SW-Fog Tin plating
- ⑭ Color: Blank-natural color



P.C.B. LAYOUT



- Specifications :
- Voltage rating: 250V AC / DC
  - Current rating: 5A AC / DC
  - Withstanding voltage: 1000V AC/minute
  - Temperature range: -25°C~+85°C
  - Insulation resistance: ≥1000MΩ
  - Contact resistance: ≤10mΩ
  - After environmental testing: ≤20mΩ
  - Mark "\*" indicate Dimensions Need To Controlled In Emphasis



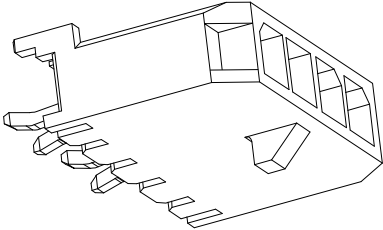
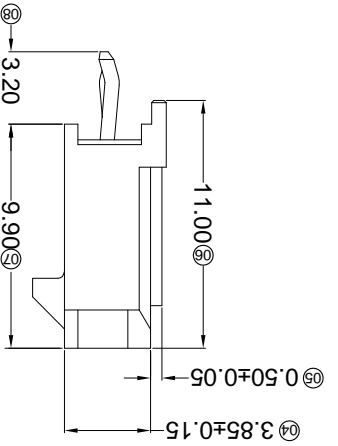
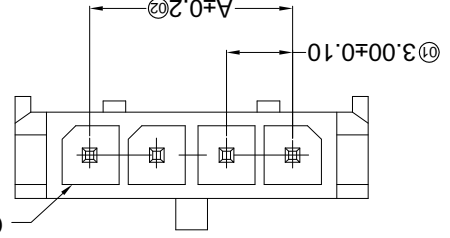
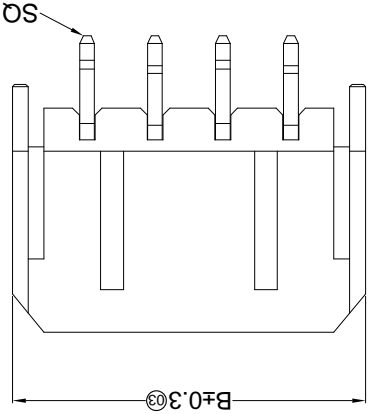
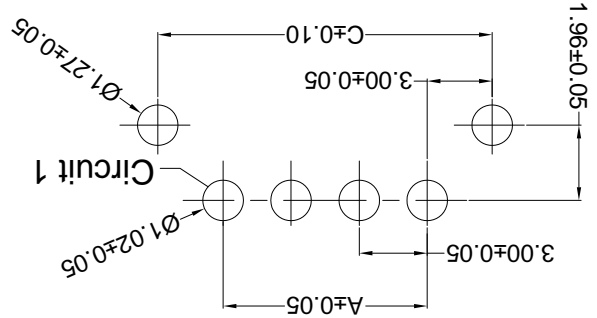
For and on behalf of  
**KRB INDUSTRIAL PRECISION CO., LIMITED**  
 香港星坤工業精密有限公司

REVISIONS  
 (Authorized Signatures)

MARK	DESCRIPTION	DATE	REVISED	APPROVED	UNSPECIFIED TOLERANCES
△ X					L > 63 ± 0.5
△ X					16 < L ≤ 63 ± 0.4
△ X					4 < L ≤ 16 ± 0.3
					L ≤ 4 ± 0.2
					ANGULAR ± 5°

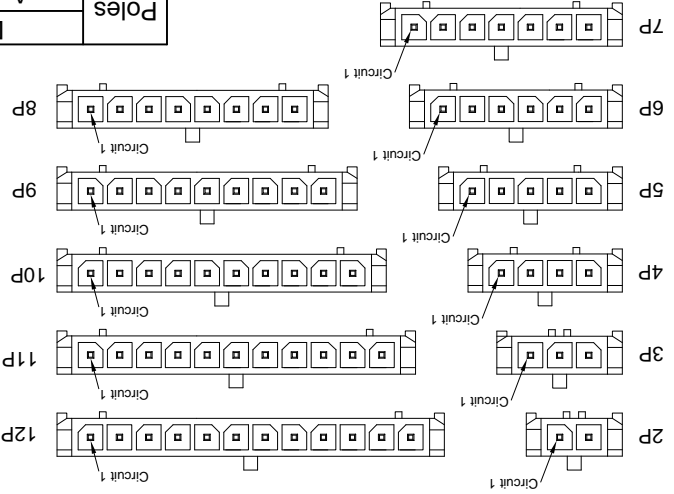
DSND	DATE	SCALE: N/A	MODEL TYPE: X3025WV-XXXXSN
DWN	DATE	VIEW:	PART NO.:
CHKD	DATE	UNIT: mm	DWG NO.:
APPD	DATE	SIZE: A4	REVISION
			WEIGHT 1.0g
			SHEET 1/1
			NO. A0

P.C.B LAYOUT



PART NO	Material	Material(Pin)	Finish(Pin)	Mates With XKB Housing
X3025WV-XX-PTSN	PBT UL 94V-0	Brass	Tin-Plated	X3025H
X3025WV-XX-46SN	PA46 UL 94V-0			
X3025WV-XX-66SN	PA66 UL 94V-0			

Poles	A	B	C
02	3.00	9.65	9.00
03	6.00	12.65	12.00
04	9.00	15.65	15.00
05	12.00	18.65	18.00
06	15.00	21.65	21.00
07	18.00	24.65	24.00
08	21.00	27.65	27.00
09	24.00	30.65	30.00
10	27.00	33.65	33.00
11	30.00	36.65	36.00
12	33.00	39.65	39.00



- Specifications :
- ① Voltage rating: 250V AC / DC
  - ② Current rating: 5A AC / DC
  - ③ Category: W-water
  - ④ Welding Board Angle: V- Straight 180°
  - ⑤ Welding Way: Blank-DIP
  - ⑥ Row No.-Pin No.: XX-02P-12P
  - ⑦ Plug the Pin & Special No.:
  - ⑧ Material: 46-PA46 94V-0; PT-PBT 94V-0; 66-PA66 94V-0
  - ⑨ Planting Category: SN-Bright tin plating
  - ⑩ Color: Blank-Natural Color
- After environmental testing: ≤20mΩ
- Contact resistance: ≤10mΩ
- Insulation resistance: ≥1000MΩ
- Temperature range: -25°C~+85°C
- Withstanding voltage: 1500V AC/minute

X3025 W V X-XX X-XX SN XX  
 ① ② ③ ④ ⑤ ⑥ ⑦ ⑧ ⑨ ⑩

REVISIONS  
*(Unauthorized Signatures)*

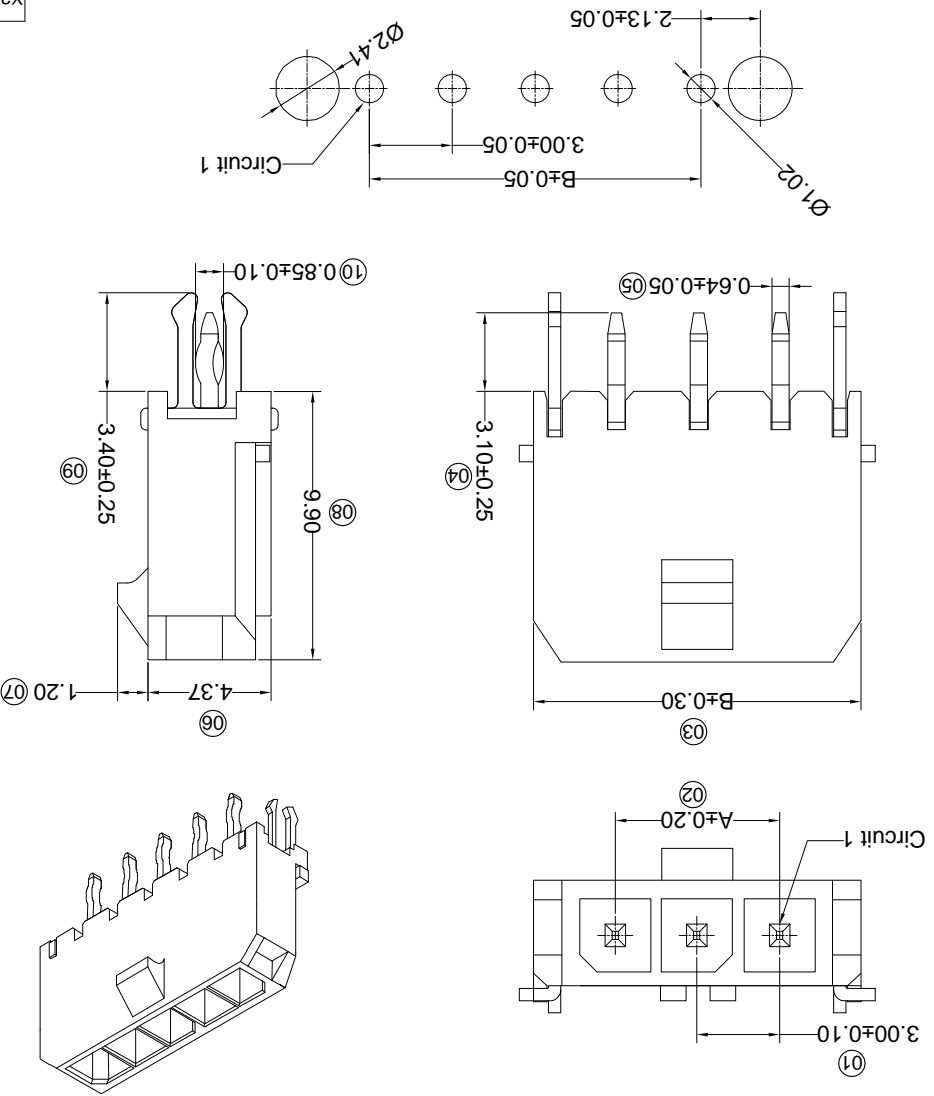
MARK	DESCRIPTION	DATE	REVISED	APPROVED	UNSPECIFIED TOLERANCES
△ X					L > 63 ± 0.5
△ X					16 < L ≤ 63 ± 0.4
△ X					4 < L ≤ 16 ± 0.3
					L ≤ 4 ± 0.2
					ANGULAR ± 5°

For and on behalf of  
**XKB INDUSTRIAL PRECISION CO., LIMITED**  
香港星坤工業精密有限公司

**XKB INDUSTRIAL PRECISION CO., LIMITED**

WEIGHT	1.0g
SHEET	1/1
REVISION	A0
SIZE:	A4
UNIT:	mm
VIEW:	
SCALE:	N/A
MODEL TYPE:	X3025WV-XXC-XXSN
PART NO.:	X3025WV-XXC-XXSN
3.00 mm Crimp Style Connectors	
DWG NO.:	

**P.C.B LAYOUT**



PART NO	Material	Material(Pin)	Finish(Pin)	Mates With XKB Housing
X3025WV-XXC-LP6SN	LCP UL 94V-0	Brass	Tin-Plated	X3025H
X3025WV-XXC-66SN	PA66 UL 94V-0			

Poles	A	B
12	33.00	39.65
11	30.00	36.65
10	27.00	33.65
9	24.00	30.65
8	21.00	27.65
7	18.00	24.65
6	15.00	21.65
5	12.00	18.65
4	9.00	15.65
3	6.00	12.65
2	3.00	9.65

- ① Series No.
- ② Category:
- ③ W-water
- ④ Welding Board Angle:
- ⑤ V-180°
- ⑥ Welding Way:
- ⑦ Blank-DIP
- ⑧ Row No.-Pin No.
- ⑨ XX-Single row
- ⑩ Special NO.
- ⑪ C-With a harpoon
- ⑫ Material:
- ⑬ LP-LCP 94V-0 66-PA66 94V-0
- ⑭ Planting Category:
- ⑮ V\*\*All Gold-Plated
- ⑯ G\*\*Gold-Plated Contact
- ⑰ \*01-Gold Flash ; \*02-2u" ; \*03-3u" ; \*05-5u"
- ⑱ \*10-10u" ; \*15-15u" ; \*30-30u" ; \*50-50u"
- ⑲ SN-Bright tin plating 70u"
- ⑳ SN1-Bright tin plating 120u"Min.
- ㉑ SW-Fog Tin plating
- ㉒ Color:
- ㉓ Blank-natural color

- Specifications :**
- Voltage rating: 250V AC / DC
  - Current rating: 5A AC / DC
  - Withstanding voltage: 1000V AC/minute
  - Temperature range: -25°C~+85°C
  - Insulation resistance: ≥1000MΩ
  - Contact resistance: ≤10mΩ
  - After environmental testing: ≤20mΩ

## X-ON Electronics

Largest Supplier of Electrical and Electronic Components

*Click to view similar products for [Headers & Wire Housings](#) category:*

*Click to view products by [XKB](#) manufacturer:*

Other Similar products are found below :

[95000-104TRLF](#) [10135584-644402LF](#) [DF62W-EP2022PCA](#) [95000-106TRLF](#) [DF62W-2022SCA](#) [DF62W-EP2022PC](#) [2203348](#) [DF62W-2022SC](#) [1084018](#) [1029039](#) [1084017](#) [802-10-012-10-002000](#) [1112640](#) [1112639](#) [891-007-9SS-BST1T](#) [000-34000](#) [0008550134](#) [0009482033](#) [0009507031](#) [57102-F02-18ULF](#) [57102-S06-03LF](#) [57202-S52-04LF](#) [PCN6-15S-2.5E](#) [0039019024](#) [58102-G61-06LF](#) [582553-1](#) [0009485154](#) [0009508121](#) [0022285053](#) [0050291907](#) [018731A](#) [LY20-4P-DT1-P1E-BR](#) [02.125.8002.8](#) [60101931](#) [60598-1 \(Cut Strip\)](#) [M1625-3R/100](#) [61062-3](#) [61082-181009](#) [CSU011177004](#) [636-1427](#) [638009-1](#) [641938-9](#) [641991-4](#) [644168-1](#) [644827-2](#) [647662-1](#) [65039-019ELF](#) [65692-001LF](#) [65781-018](#) [65781-047](#)