

For and on behalf of
KRB INDUSTRIAL PRECISION CO., LIMITED
 香港星坤工業精密有限公司

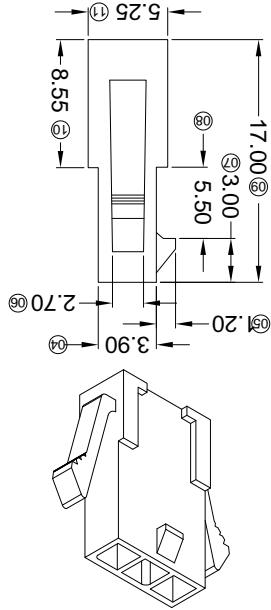
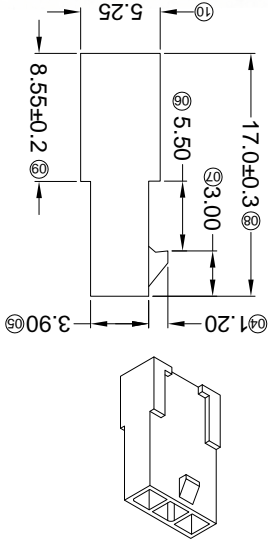
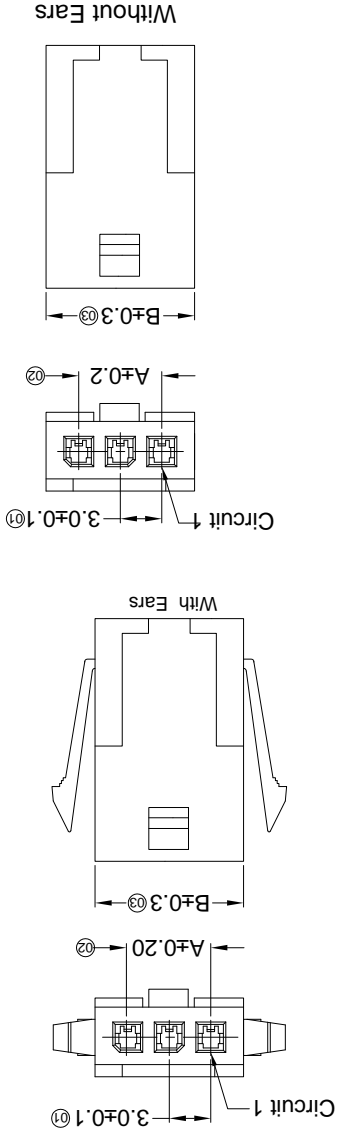
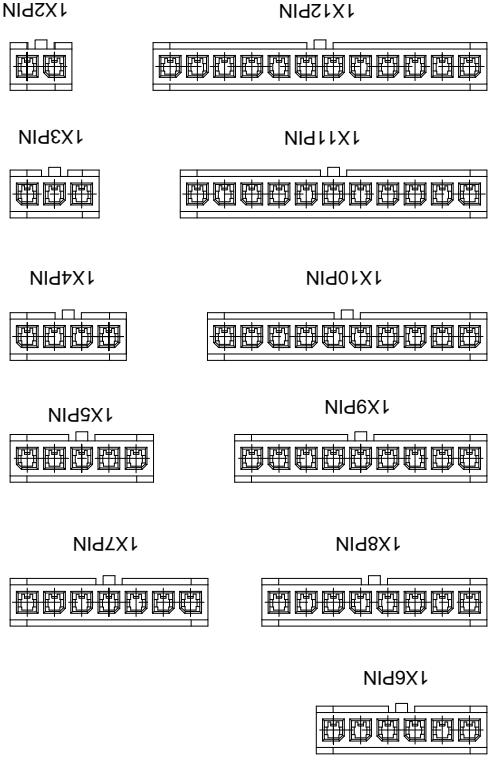
Revisions
 (Authorized Signatures)

MARK	DESCRIPTION	DATE	REVISED	APPROVED	UNSPECIFIED TOLERANCES
△ X					$L > 63$
△ X					$16 < L \leq 63$
△ X					$4 < L \leq 16$
					$L \leq 4$
					ANGULAR
					$\pm 5^\circ$

DSND	DATE	SCALE: N/A	MODEL TYPE: X3025HF-XXX-N2
DWN	DATE <td>VIEW: </td> <td>PART NO.: 3.00 mm Crimp Style Connectors</td>	VIEW:	PART NO.: 3.00 mm Crimp Style Connectors
CHKD	DATE <td>UNIT: mm</td> <td>DWG NO.:</td>	UNIT: mm	DWG NO.:
APPD	DATE <td>SIZE: A4</td> <td>WEIGHT 1.0g</td>	SIZE: A4	WEIGHT 1.0g
			SHEET 1/1
			REVISION A0

PART NO	Material	Color	Suitable XKB Terminal	Mates With XKB Housing	Note
X3025HF-XX1-N2WH	Nylon 66 94V-2	White	X3025TM	X3025HM	Without Ears
X3025HF-XX1-N2	Nylon 66 94V-2	Natural Color	X3025TM	X3025HM	Without Ears
X3025HF-XXG-N2WH	Nylon 66 94V-2	White	X3025TM	X3025HM	With Ears
X3025HF-XXG-N2	Nylon 66 94V-2	Natural Color	X3025TM	X3025HM	With Ears

Poles	Dimensions(mm)		Dimensions(mm)	
	A	B	A	B
07	18.00	21.90		
06	15.00	18.90	12	33.00
05	12.00	15.90	11	30.00
04	9.00	12.90	10	27.00
03	6.00	9.90	09	27.90
02	3.00	6.90	08	24.90
			A	B



- Specifications:
- Voltage rating: 250V AC / DC
 - Current rating: 5A AC / DC
 - Withstanding voltage: 1000V AC/minute
 - Temperature range: -40°C~+105°C
 - Insulation resistance: $\geq 1000M\Omega$
 - Contact resistance: $\leq 10m\Omega$
 - After environmental testing: $\leq 20m\Omega$
- ① Series No.
- ② Category: H-HSG
- ③ Welding Board Angle: F-Female HSG
- ④ Row No.-Pin No.: XX-02P~12P
- ⑤ Plug the Pin & special No.: I-Without Ears G-With Ears
- ⑥ Material: N2-PA66 94V-2;
- ⑦ Color: Blank-Natural Color : WH-White

X3025 H F-XX XX-N2 XX

① Series No.

② Category: H-HSG

③ Welding Board Angle: F-Female HSG

④ Row No.-Pin No.: XX-02P~12P

⑤ Plug the Pin & special No.: I-Without Ears

G-With Ears

⑥ Material: N2-PA66 94V-2;

⑦ Color: Blank-Natural Color : WH-White

REVISIONS
Authorized Signature(s)

MARK	DESCRIPTION	DATE	REVISED	APPROVED	UNSPECIFIED TOLERANCES
△ X					L > 63
△ X					16 < L ≤ 63
△ X					4 < L ≤ 16
△ X					L ≤ 4
					ANGULAR
					± 5°

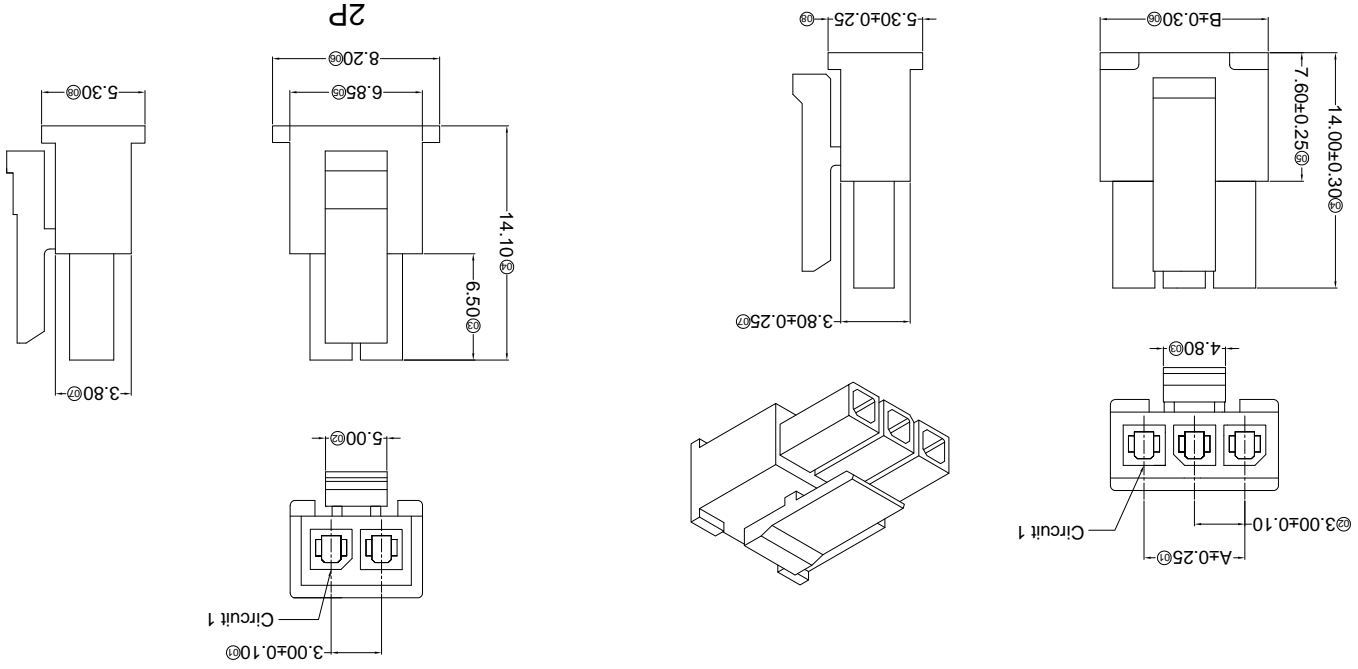
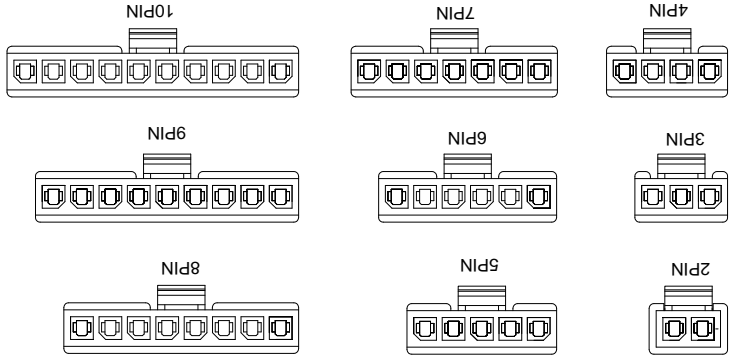
For and on behalf of
XKB INDUSTRIAL PRECISION CO., LIMITED
香港星坤工業精密有限公司

XKB INDUSTRIAL PRECISION CO., LIMITED

MODEL TYPE:	SCALE: N/A	DATE		DSND
PART NO.:	VIEW:	DATE		DWN
3.00 mm Crimp Style Connectors	UNIT: mm	DATE		CHKD
DWG NO.:	SIZE: A4	DATE		APPD
REVISION	SHEET	WEIGHT		
A0	1/1	1.0g		

PART NO	Material	Suitable XKB Terminal	Mates With XKB Wafer
X3025HM-XX-N2	Nylon 66 94V-2	X3025TF	X3025W

Poles	Dimensions (mm)		Poles	Dimensions (mm)	
	A	B		A	B
07	18.00	21.85	12	33.00	36.85
06	15.00	18.85	11	30.00	33.85
05	12.00	15.85	10	27.00	30.85
04	9.00	12.85	09	24.00	27.85
03	6.00	9.85	08	21.00	24.85
			A	B	



■ Specifications :

- Voltage rating: 250V AC / DC
- Current rating: 5A AC / DC
- Withstanding voltage: 1000V AC/minute
- Temperature range: -40°C~+105°C
- Insulation resistance: ≥1000MΩ
- Contact resistance: ≤10mΩ
- After environmental testing: ≤20mΩ

X3025 H M-XX X-N2 XX

- Series No.
- Category: H-HSG
- Welding Board Angle: M-Male HGS
- Row No./Pin No.: XX-02P~12P
- Plug the Pin & special No.
- Material: N2-PA66 94V-2
- Color: Blank-Natural Color

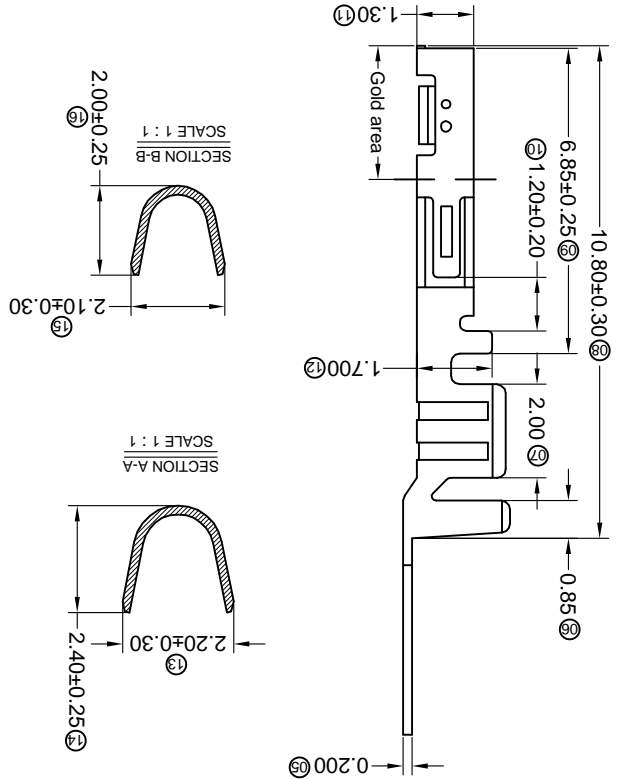
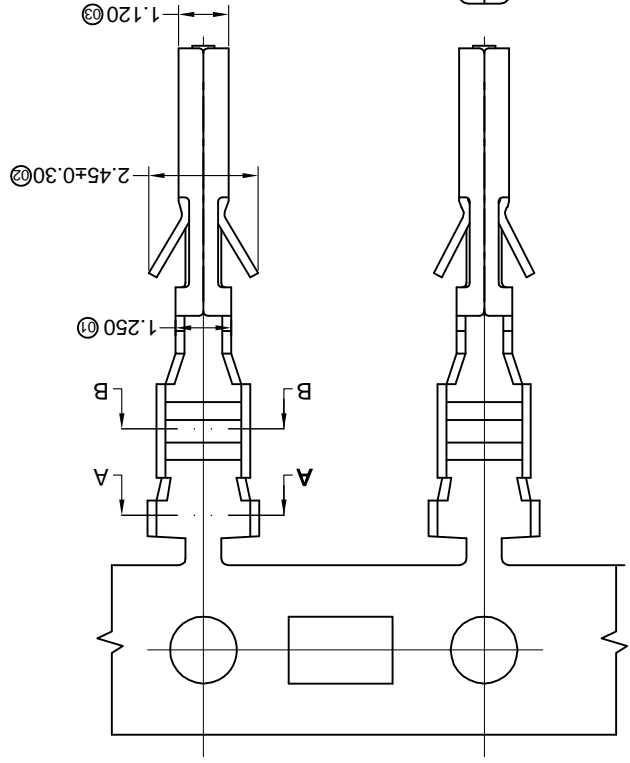
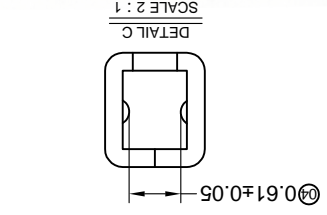
For and on behalf of
XKB INDUSTRIAL PRECISION CO., LIMITED
 香港星坤工業精密有限公司

REVISIONS
 (Authorized Signatures)

MARK	DESCRIPTION	DATE	REVISED	APPROVED	UNSPECIFIED TOLERANCES
△ X					L > 63 ± 0.5
△ X					16 > L ≤ 63 ± 0.4
△ X					4 < L ≤ 16 ± 0.3
△ X					L ≤ 4 ± 0.2
					ANGULAR ± 5°

DATE	DATE	DATE	DATE	DATE	DATE
DNSD	DWN	CHKD	APPD		
SCALE: N/A	VIEW:	UNIT: mm	SIZE: A4		
MODEL TYPE: X3025TF-PXXX	PART NO.:	3.00 mm Crimp Style Connectors		DWG NO.:	
				WEIGHT: 1.0g	
				SHEET: 1/1	
				REVISION: A0	

PART NO	Material	Wire Range	Insulation O.D.	Finish	Used in XKB Housing
X3025TF-PG30	Phosphor Bronze	AWG#20-24	1.85mm(Max)	Stamping Before Plating:30~50u" Ni;Contact Area Gold:30u" Min.	X3025HM
X3025TF-PG15				Stamping Before Plating:30~50u" Ni;Contact Area Gold:15u" Min.	
X3025TF-PG01				Stamping Before Plating:30~50u" Ni;Contact Area Gold Flash	
X3025TF-PSN				Stamping Before Plating:30~50u" Ni;70~120u" Sn	



■ Specifications :

- Voltage rating: 250V AC / DC
- Current rating: 5A AC / DC
- Withstanding voltage: 1000V AC/minute
- Temperature range: -40°C~+85°C
- Insulation resistance: ≥1000MΩ
- Contact resistance: ≤10mΩ
- After environmental testing: ≤20mΩ

X3025 T-F-P XX X-X

- ① Series Number
- ② Category: T-terminal
- ③ Shape: F-Female Terminal
- ④ Material: P-Phosphor bronze
- ⑤ Plating style:
- ⑥ G-Gold-Plated Contact
- ⑦ *01-Gold Flash *15-15u" *30-30u"
- ⑧ SN-Bright tin plating 70-120u"
- ⑨ Plating method:
- ⑩ Blank-Stamping before plating
- ⑪ Mold No./Mark/Special No.

For and on behalf of
KXB INDUSTRIAL PRECISION CO., LIMITED
 香港星坤工業精密有限公司

REVISIONS
 Authorized Signature(s)

MARK	DESCRIPTION	DATE	REVISED	APPROVED	UNSPECIFIED TOLERANCES
△ X					L > 63 ± 0.5
△ X					16 > L ≤ 63 ± 0.4
△ X					4 < L ≤ 16 ± 0.3
△ X					L ≤ 4 ± 0.2
					ANGULAR ± 5°

REVISION	SHEET	WEIGHT	DATE	DATE	DATE	DATE	DATE
A0	1/1	1.0g					

KXB INDUSTRIAL PRECISION CO., LIMITED

DSND	SCALE: N/A	DATE

DWN	VIEW:	DATE

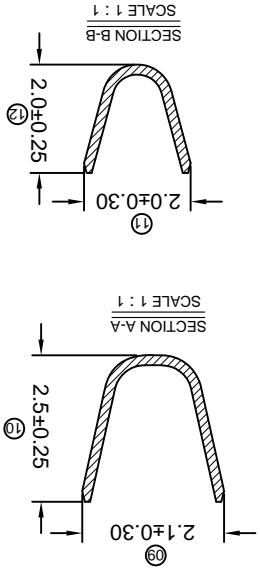
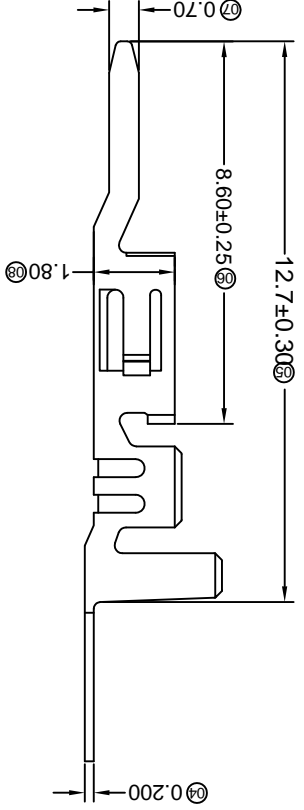
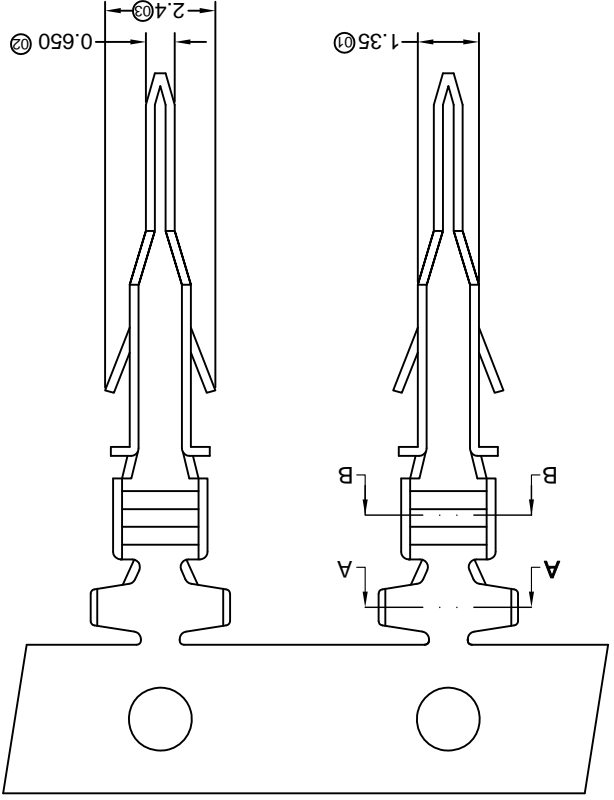
CHKD	UNIT: mm	DATE

APPD	SIZE: A4	DATE

MODEL TYPE: X3025TM-PXX
 PART NO.:
 3.00 mm Crimp Style Connectors
 DWG NO.:

PART NO	Material	Wire Range	Insulation O.D.	Finish
X3025TM-PSN	Phosphor Bronze AWG#20-24	1.85mm(Max)		Stamping Before Plating:30u" Ni;70u" Sn
X3025TM-PG01				Stamping Before Plating:30u" Ni>Contact Area Gold Flash
X3025TM-PG15				Stamping Before Plating:30u" Ni>Contact Area Gold:15u" Min.
X3025TM-PG30				Stamping Before Plating:30u" Ni>Contact Area Gold:30u" Min.

Used in XKB Housing



- Specifications :**
- Voltage rating: 250V AC / DC
 - Current rating: 5A AC / DC
 - Withstanding voltage: 1000V AC/minute
 - Temperature range: -25°C~+85°C
 - Insulation resistance: ≥1000MΩ
 - Contact resistance: ≤10mΩ
 - After environmental testing: ≤20mΩ
- X3025 T M-P XX X-X**
- ① Series Number
 - ② Category: T-terminal
 - ③ Shape: M-Male Terminal
 - ④ Material: P-Phosphor bronze
 - ⑤ Plating style: G-Gold-Plated Contact
 - ⑥ Plating method: SN-Bright tin plating 70u"
 - ⑦ *01-Gold Flash *15-15u" *30-30u"
 - ⑧ Mold No./Mark/Special No.

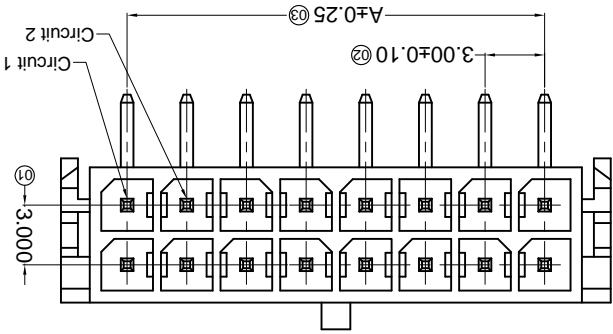
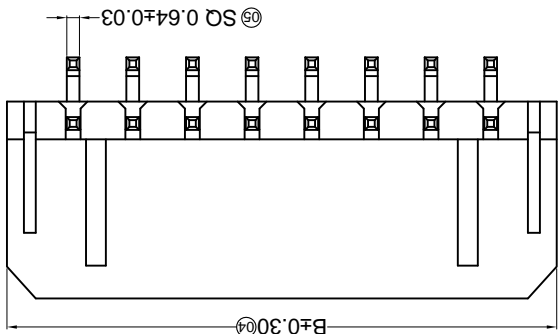
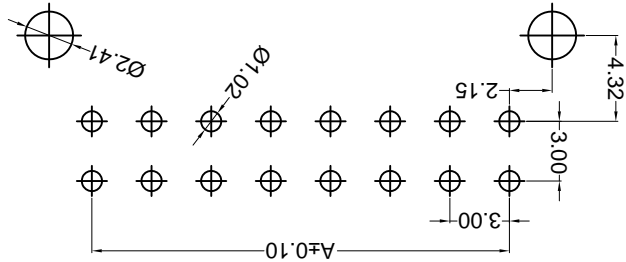
For and on behalf of
KRB INDUSTRIAL PRECISION CO., LIMITED
 香港星坤工業精密有限公司

REVISIONS
 Authorized Signature(s)

MARK	DESCRIPTION	DATE	REVISED	APPROVED	UNSPECIFIED TOLERANCES
△ X					L > 63 ± 0.5
△ X					16 < L ≤ 63 ± 0.4
△ X					4 < L ≤ 16 ± 0.3
					L ≤ 4 ± 0.2
					ANGULAR ± 5°

DSND	DATE	SCALE: N/A	MODEL TYPE: X3025WR-2*XXB-XXSN
DWN	DATE	VIEW:	PART NO.:
CHKD	DATE	UNIT: mm	3.00 mm Crimp Style Connectors
APPD	DATE	SIZE: A4	DWG NO.:
WEIGHT	SHEET	REVISION	
1.0g	1/1	A0	

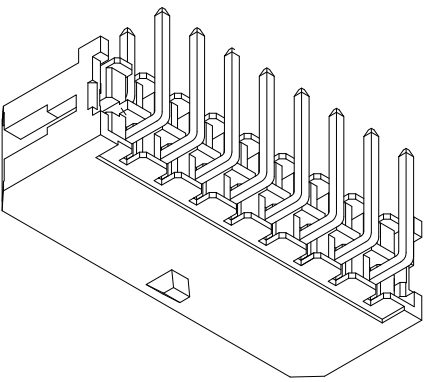
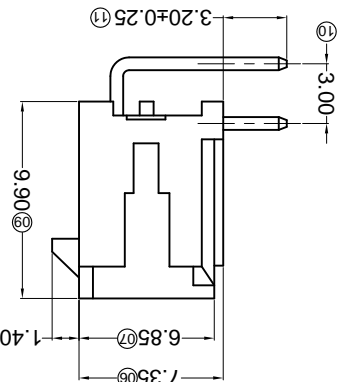
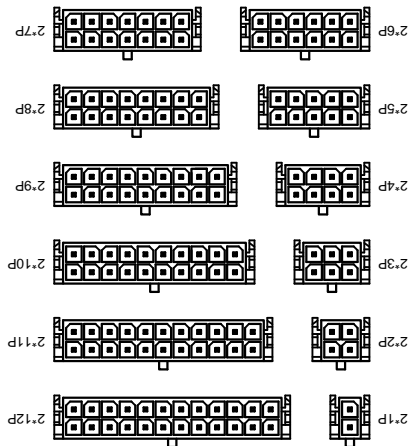
Recommended P.C.B Layout
 General Tolerance±0.05



Poles	Dimensions (mm)		Poles		Dimensions (mm)	
	A	B	A	B	A	B
2*01	---	6.65	2*07	18.00	24.65	27.65
2*02	3.00	9.65	2*08	21.00	27.65	30.65
2*03	6.00	12.65	2*09	24.00	30.65	33.65
2*04	9.00	15.65	2*10	27.00	33.65	36.65
2*05	12.00	18.65	2*11	30.00	36.65	39.65
2*06	15.00	21.65	2*12	33.00	39.65	

Part No.	Material	Material(Pin)	Finish(Pin)	Mates With KRB Housing
X3025WR-2*XXB-L-PSN	LCP UL 94V-0	Brass	Tin-Plated	X3025H
X3025WR-2*XXB-46SN	Nylon 46 UL 94V-0			
X3025WR-2*XXB-66SN	Nylon 66 UL 94V-0			

Scale 1:3



- ① Series No.
 ② Category: W-water
 ③ Welding Board Angle: R-90°
 ④ Welding Way: Blank-DIP
 ⑤ Row No.-Pin No.: 2*XX-2*01P-2*12P
 ⑥ Special NO.: B-Without positioning column
 ⑦ Material: 46-PA46 94V-0 66-PA66 94V-0 LP-LCP 94V-0
 ⑧ Plating Category: SN-Bright tin plating
 ⑨ Color: Blank-natural color

- Specifications :
- Voltage rating: 250V AC / DC
 - Current rating: 5A AC / DC
 - Withstanding voltage: 1000V AC/minute
 - Temperature range: -25°C~+85°C
 - Insulation resistance: ≥1000MΩ
 - Contact resistance: ≤10mΩ
 - After environmental testing: ≤20mΩ

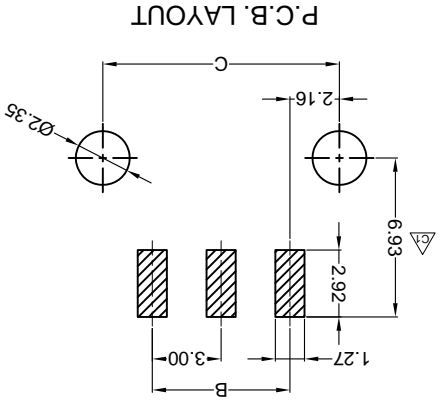
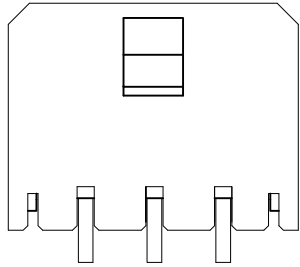
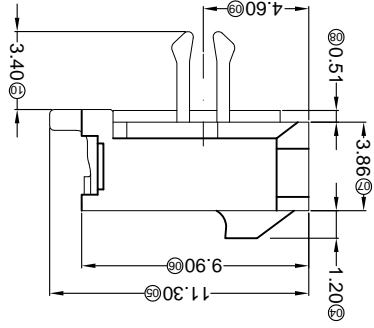
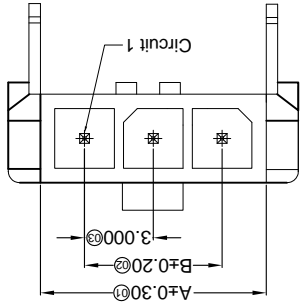
For and on behalf of
KKB INDUSTRIAL PRECISION CO., LIMITED
 香港星坤工業精密有限公司

REVISIONS
 (Authorized Signature(s))

MARK	DESCRIPTION	DATE	REVISED	APPROVED	UNSPECIFIED TOLERANCES
△ X					L > 63 ±0.5
△ X					16 < L ≤ 63 ±0.4
△ X					4 < L ≤ 16 ±0.3
△ X					L ≤ 4 ±0.2
					ANGULAR ±5°

DSND	DATE	SCALE: N/A	MODEL TYPE: X3025WRS-XXC-XXXX
DWN	DATE	VIEW:	PART NO.:
CHKD	DATE	UNIT: mm	DWG NO.:
APPD	DATE	SIZE: A4	REVISION
			1/1
			WEIGHT 1.0g
			SHEET
			REVISION A0

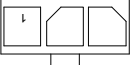
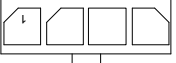
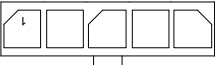
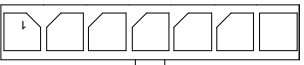
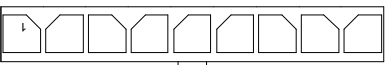
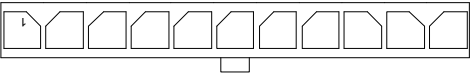
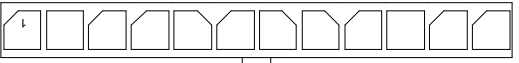
PART NO	Material	Material(Pin)	Finish(Pin)	Material (Solder Tabs) (Solder Tabs)	Finish (Solder Tabs)	Mates With XKB Housing
3025WRS-XXC-66SN	PA66 UL 94V-0	Brass	Tin-Plated	Brass	Tin-Plated	X3025H
3025WRS-XXC-LPSN	LCP UL 94V-0		Tin Plating Fog			
3025WRS-XXC-LPSW	LCP UL 94V-0					



- X3025 W R S-XX C-XX XX XX
- ① Series No.
 - ② Category: W-water
 - ③ Welding Board Angle: R-90°
 - ④ Welding Way: S-SMT
 - ⑤ Row No.-Pin No.: XX-Single row
 - ⑥ Special NO.: C-The harpoon
 - ⑦ Material: LP-LCP 94V-0-66-PA66 94V-0
 - ⑧ Plating Category: SN-Bright tin plating 70U
 - ⑨ SW-Fog Tin plating
 - ⑩ Color: Blank-natural color

- Specifications :
- Voltage rating: 250V AC / DC
 - Current rating: 5A AC / DC
 - Withstanding voltage: 1000V AC/minute
 - Temperature range: -25°C~+85°C
 - Insulation resistance: ≥1000MΩ
 - Contact resistance: ≤10mΩ
 - After environmental testing: ≤20mΩ

Poles	Dimensions (mm)		
	A	B	C
02	6.85	3.00	7.30
03	9.85	6.00	10.30
04	12.85	9.00	13.30
05	15.85	12.00	16.30
06	18.85	15.00	19.30
07	21.85	18.00	22.30
08	24.85	21.00	25.30
09	27.85	24.00	28.30
10	30.85	27.00	31.30
11	33.85	30.00	34.30
12	36.85	33.00	37.30



A B C D E F

1 2 3 4 5 6 7 8

REVISIONS
Authorized Signatures(s)

MARK	DESCRIPTION	DATE	REVISED	APPROVED	UNSPECIFIED TOLERANCES
△ X					L > 63 ± 0.5
△ X					16 > L ≤ 63 ± 0.4
△ X					4 < L ≤ 16 ± 0.3
△ X					L ≤ 4 ± 0.2
					ANGULAR ± 5°

For and on behalf of
KKB INDUSTRIAL PRECISION CO., LIMITED
香港星坤工業精密有限公司

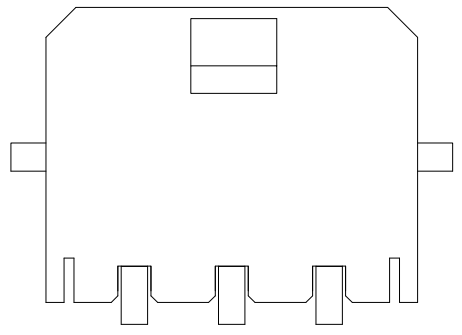
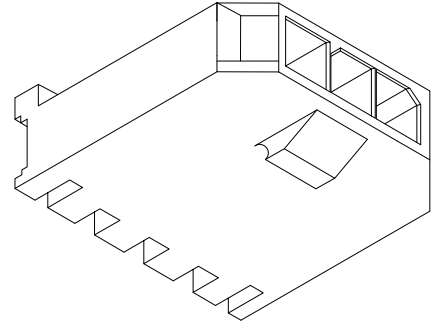
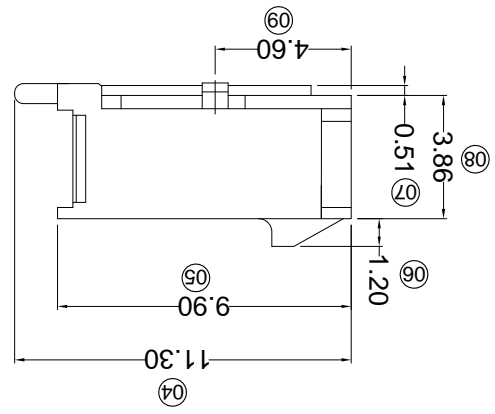
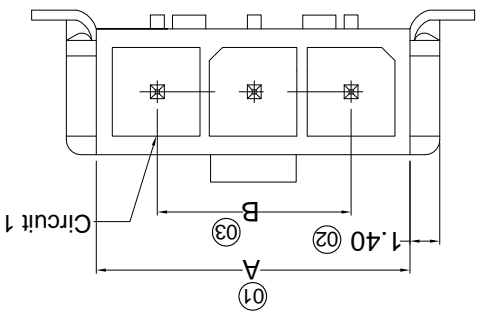
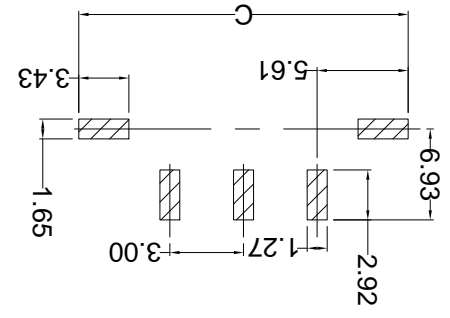
KKB INDUSTRIAL PRECISION CO., LIMITED

WEIGHT	SHEET	REVISION
1.0g	1/1	A0

DATE	SCALE: N/A	MODEL TYPE: X3025WRS-XXD-LPXXX	VIEW:	DATE	DATE	DATE	DATE	DATE	DATE	DATE	DATE
DSND											
DWN											
CHKD											
APPD											

PART NO	Material	Material(Pin)	Finish(Pin)	Material (Solder Tabs)	Finish (Solder Tabs)	Mates With XKB Housing
X3025WRS-XXD-LP15	LCP UL 94V-0	Brass	Contact Area Gold: 15u" Min.	Brass	Tin-Plated	X3025H
X3025WRS-XXD-LP5W	LCP UL 94V-0	Brass	Tin Plating Fog	Brass	Tin-Plated	X3025H

P.C.B. LAYOUT



- X3025 W R S- XX D-LP SW XX
- ① Series No.
 - ② Category: W-water
 - ③ Welding Board Angle: R-90°
 - ④ Welding Way: S-SMT
 - ⑤ Row No.-Pin No.
 - ⑥ XX-Single row
 - ⑦ Special NO.
 - ⑧ D-Solder Tabs
 - ⑨ Material: LP-LCP 94V-0
 - ⑩ Planting Category: V**All Gold-Plated
 - G**Gold-Plated Contact
 - *01-Gold Flash : *02-2U" ; *03-3U" ; *05-5U"
 - *10-10U" ; *15-15U" ; *30-30U" ; *50-50U"
 - SN-Bright tin plating 70U"
 - SN1-Bright tin plating 120U"Min. ;
 - SW-Fog Tin plating
 - ⑪ Color: Blank-natural color

Poles	A	B	C
2	6.85	3.00	14.20
3	9.85	6.00	17.20
4	12.85	9.00	20.20
5	15.85	12.00	23.20
6	18.85	15.00	26.20
7	21.85	18.00	29.20
8	24.85	21.00	32.20
9	27.85	24.00	35.20
10	30.85	27.00	38.20
11	33.85	30.00	41.20
12	36.85	33.00	44.20

- Specifications :
- Voltage rating: 250V AC / DC
 - Current rating: 5A AC / DC
 - Withstanding voltage: 1000V AC/minute
 - Temperature range: -25°C~+85°C
 - Insulation resistance: ≥1000MΩ
 - Contact resistance: ≤10mΩ
 - After environmental testing: ≤20mΩ
 - Mark "*"Indicate Dimensions Need To Controlled In Emphasis

For and on behalf of
KRB INDUSTRIAL PRECISION CO., LIMITED
 香港星坤工業精密有限公司

MARK	DESCRIPTION	DATE	REVISIONS	UNSPECIFIED TOLERANCES
△ X				L > 63 ± 0.5
△ X				16 < L ≤ 63 ± 0.4
△ X				4 < L ≤ 16 ± 0.3
△ X				L ≤ 4 ± 0.2
				ANGULAR ± 5°

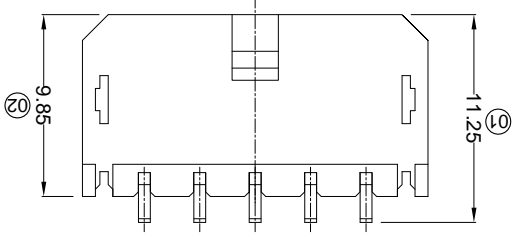
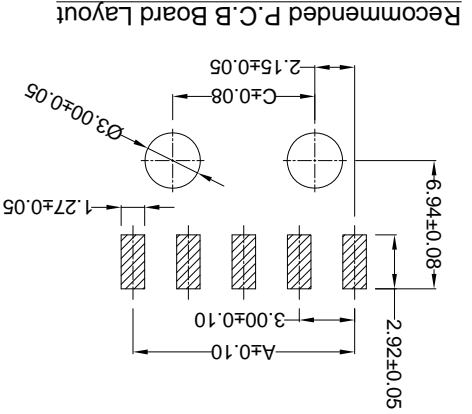
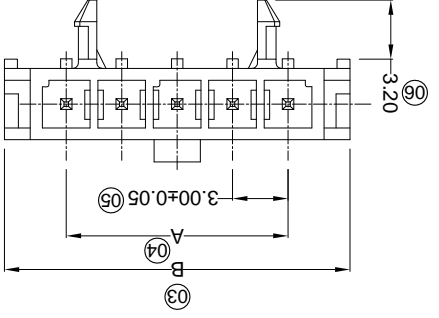
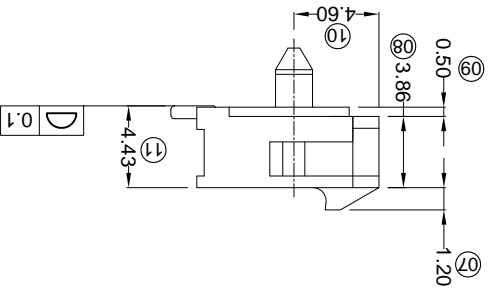
REVISIONS	DATE	APPROVED	REVISOR	DATE	DESCRIPTION

MODEL TYPE:	SCALE: N/A	DATE:	DATE:	DATE:	DATE:
X3025WRS-XXE-LPXX					
PART NO.:	VIEW:	DATE:	DATE:	DATE:	DATE:
3.00 mm Crimp Style Connectors					
DWG NO.:	UNIT: mm	DATE:	DATE:	DATE:	DATE:
	SIZE: A4	DATE:	DATE:	DATE:	DATE:
WEIGHT	SHEET	REVISION			
1.0g	1/1	A0			

PART NO	Material	Material(Pin)	Finish(Pin)	Mates With XKB Housing
X3025WRS-XXE-LPSN	LCP UL 94V-0	Brass	Tin-Plated	X3025H
X3025WRS-XXE-LPSW			Tin Plating Fog	

Poles	Dimensions (mm)		
	A	B	C
02	3.00	9.65	---
03	6.00	12.65	---
04	9.00	15.65	4.70
05	12.00	18.65	7.70
06	15.00	21.65	10.70
07	18.00	24.65	13.70
08	21.00	27.65	16.70
09	24.00	30.65	19.70
10	27.00	33.65	22.70
11	30.00	36.65	25.70
12	33.00	39.65	28.70

- ① Series No.
 ② Category:
 W-water
 ③ Welding Board Angle:
 R-90°
 ④ Welding Way:
 S-SMT
 ⑤ Row No.-Pin No.
 XX-Single row
 ⑥ Special NO.
 E-With plastic positioning column
 ⑦ Material:
 LP-LCP 94V-0
 ⑧ Plating Category:
 V**All Gold-Plated
 G**Gold-Plated Contact
 *01-Gold Flash ; *02-Zn ; *03-3u" ; *05-5u"
 *10-10u" ; *15-15u" ; *30-30u" ; *50-50u"
 SN-Bright tin plating 70u"
 SN1-Bright tin plating 120u"Min.
 SW-Fog Tin plating
 ⑨ Color:
 Blank-natural color



- Specifications :
- Voltage rating: 250V AC / DC
 - Current rating: 5A AC / DC
 - Withstanding voltage: 1000V AC/minute
 - Temperature range: -25°C~+85°C
 - Insulation resistance: ≥1000MΩ
 - Contact resistance: ≤10mΩ
 - After environmental testing: ≤20mΩ

X3025 W R S-XX E-LP XX XX
 ① ② ③ ④ ⑤ ⑥ ⑦ ⑧ ⑨

Recommended P.C.B Board Layout

REVISIONS
Authorized Signature(s)

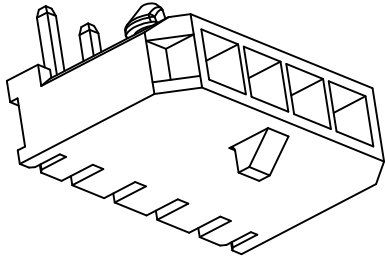
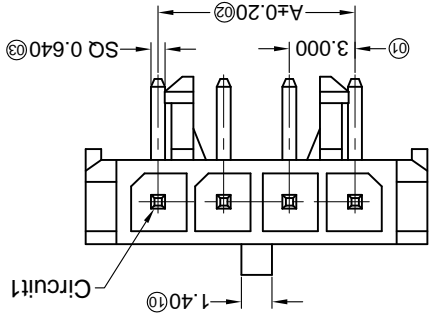
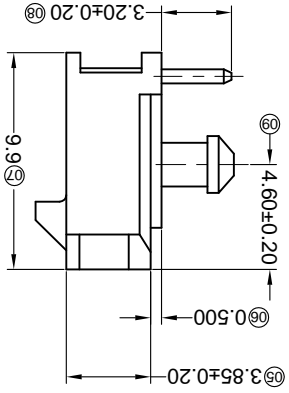
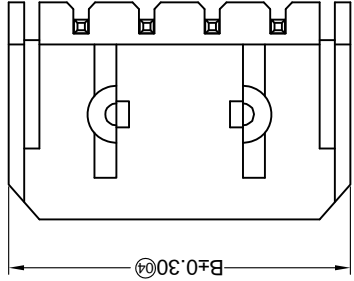
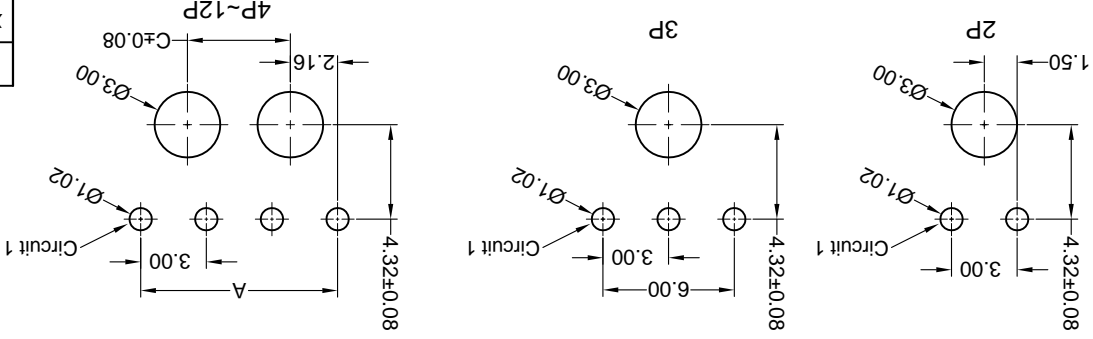
MARK	DESCRIPTION	DATE	REVISED	APPROVED	UNSPECIFIED TOLERANCES
△ X					L > 63
△ X					16 < L ≤ 63
△ X					4 < L ≤ 16
△ X					L ≤ 4
					ANGULAR

For and on behalf of
KKB INDUSTRIAL PRECISION CO., LIMITED
香港星坤工業精密有限公司

KKB INDUSTRIAL PRECISION CO., LIMITED

WEIGHT	1.0g	SHEET	1/1	REVISION	A0
SIZE:	A4	DATE		APPD	
UNIT:	mm	DATE		CHKD	
VIEW:		DATE		DWN	
SCALE:	N/A	DATE		DSND	
MODEL TYPE:	X3025WR-XX-XXSNXX	PART NO.:			
		DWG NO.:	3.00mm Crimp Style Connectors		

Recommended P.C.B Layout
General Tolerance±0.05



PART NO	Material	Material(Pin)	Finish(Pin)	Mates With KKB Housing
X3025WR-XX-LPNSXX	LCP UL 94V-0	Brass	Tin-Plated	X3025H
X3025WR-XX-N0NSXX	PA9T UL 94V-0			

Poles	Dimensions(mm)			Poles	Dimensions(mm)		
	A	B	C		A	B	C
01	---	6.65	---	07	18.00	24.65	13.70
02	3.00	9.65	---	08	21.00	27.65	16.70
03	6.00	12.65	---	09	24.00	30.65	19.70
04	9.00	15.65	4.70	10	27.00	33.65	22.70
05	12.00	18.65	7.70	11	30.00	36.65	25.70
06	15.00	21.65	10.70	12	33.00	39.65	28.70

- ① Series No.
- ② Category: W-water
- ③ Welding Board Angle: R-90°
- ④ Welding Way: Blank-DIP
- ⑤ Row No.-Pin No.: XX-Single row
- ⑥ Plug the Pin & Special No.:
- ⑦ Material: LP-LCP 94V-0 N0-PA9T 94V-0
- ⑧ Plating Category: SN-Bright tin plating 70u" Min.
- ⑨ Color: Blank-Natural Color Black

X3025 W R X - XX X - XX SN XX
① ② ③ ④ ⑤ ⑥ ⑦ ⑧ ⑨

- Specifications :
- Voltage rating: 250V AC / DC
 - Current rating: 5A AC / DC
 - Withstanding voltage: 1500V AC/minute
 - Temperature range: -40°C~+105°C
 - Insulation resistance: ≥1000MΩ
 - Contact resistance: ≤10mΩ
 - After environmental testing: ≤20mΩ

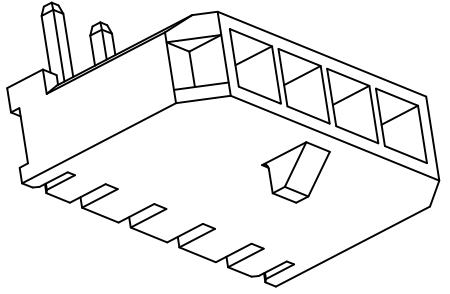
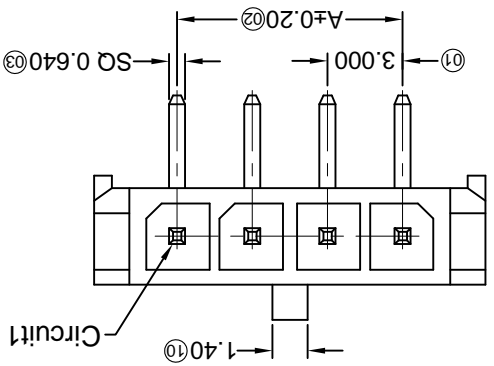
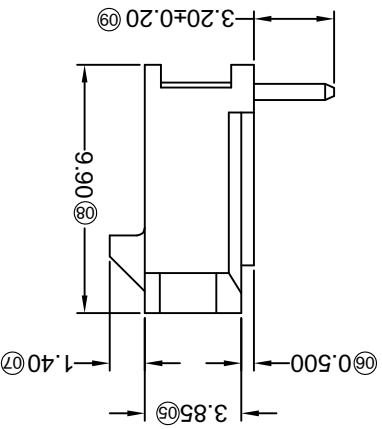
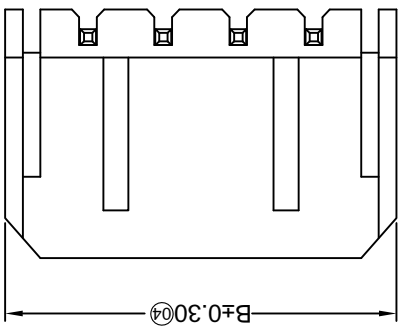
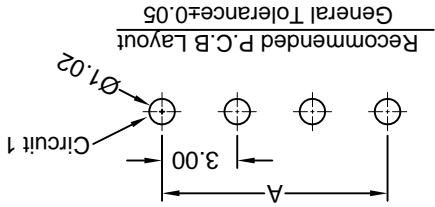
For and on behalf of
KXB INDUSTRIAL PRECISION CO., LIMITED
 香港星坤工業精密有限公司

REVISIONS
 Authorized Signature(s)

MARK	DESCRIPTION	DATE	REVISED	APPROVED	UNSPECIFIED TOLERANCES
△ X					L > 63
△ X					16 < L ≤ 63
△ X					4 < L ≤ 16
△ X					L ≤ 4
					ANGULAR
					± 5°

REVISION	SHEET	WEIGHT	NO.
A0	1/1	1.0g	8

DATE	SCALE: N/A	MODEL TYPE: X3025WR-XXB-XXSN
DATE	VIEW:	PART NO.: 3.00mm Crimp Style Connectors
DATE <td>UNIT: mm <td>DWG NO.:</td> </td>	UNIT: mm <td>DWG NO.:</td>	DWG NO.:
DATE <td>SIZE: A4 <td></td> </td>	SIZE: A4 <td></td>	



PART NO	Material	Material(Pin)	Finish(Pin)	Mates With XKB Housing
X3025WR-XXB-66SN	PA66 UL 94V-0	Brass	Tin-Plated	X3025H
X3025WR-XXB-LPSN	LCP UL 94V-0			

Poles	Dimensions(mm)	
	A	B
01	6.65	18.00
02	3.00	9.65
03	6.00	12.65
04	9.00	15.65
05	12.00	18.65
06	15.00	21.65

- ① Series No.
- ② Category: W-water
- ③ Welding Board Angle: R-90°
- ④ Welding Way: Blank-DIP
- ⑤ Row No.-Pin No.: XX-01P-12P
- ⑥ Plug the Pin & Special No.:
- ⑦ B-Without positioning column
- ⑧ Material: LP-LCP 94V-0;
- ⑨ 66-PA66 94V-0
- ⑩ Planting Category: SN-Bright tin plating
- ⑪ Color: Blank-Natural Color Black

X3025 W R X - XX B - XX SN XX
 ① ② ③ ④ ⑤ ⑥ ⑦ ⑧ ⑨

- Specifications :
- Voltage rating: 250V AC / DC
 - Current rating: 5A AC / DC
 - Withstanding voltage: 1500V AC/minute
 - Temperature range: -40°C~+105°C
 - Insulation resistance: ≥1000MΩ
 - Contact resistance: ≤10mΩ
 - After environmental testing: ≤20mΩ

For and on behalf of
KXB INDUSTRIAL PRECISION CO., LIMITED
 香港星坤工業精密有限公司
 Authorized Signatures

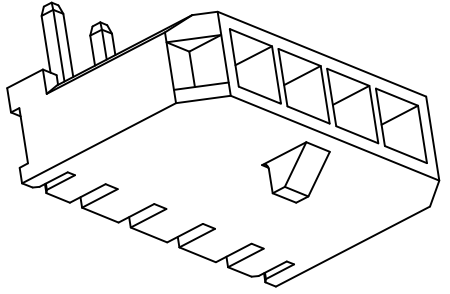
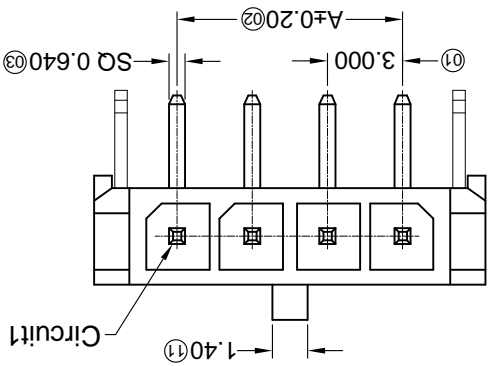
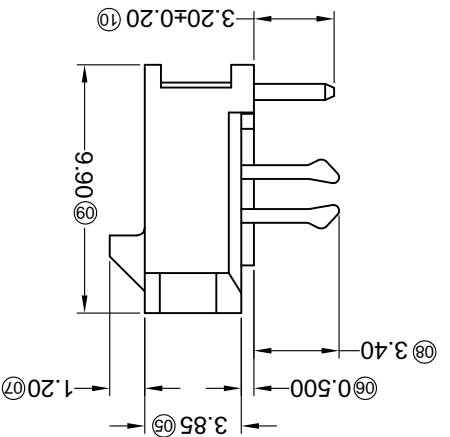
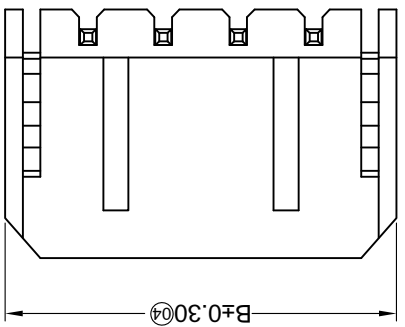
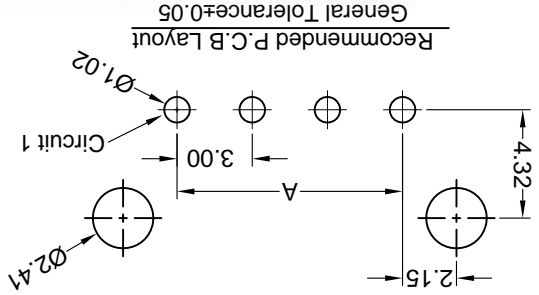
MARK	DESCRIPTION	DATE	REVISED	APPROVED	UNSPECIFIED TOLERANCES
△ X					L > 63
△ X					16 < L ≤ 63
△ X					4 < L ≤ 16
△ X					L ≤ 4
					ANGULAR

REVISION	SHEET	WEIGHT	SIZE	DATE	DATE	DATE	DATE
A0	1/1	1.0g	A4				

KXB INDUSTRIAL PRECISION CO., LIMITED

APPD	CHKD	DWN	DSND

MODEL TYPE: X3025WR-XXC-XXSN
 PART NO.:
 3.00mm Crimp Style Connectors
 DWG NO.:



Poles	Dimensions(mm)		Material	Finish(Pin)	Mates With XKB Housing
	A	B			
01	6.65	07	---	---	24.65
02	3.00	08	Brass	Tin-Plated	27.65
03	6.00	09	LCP UL 94V-0	---	30.65
04	9.00	10	LCP UL 94V-0	---	33.65
05	12.00	11	LCP UL 94V-0	---	36.65
06	15.00	12	LCP UL 94V-0	---	39.65

PART NO	Material	Material(Pin)	Finish(Pin)	Mates With XKB Housing
X3025WR-XXC-66SN	PA66 UL 94V-0	---	---	X3025H
X3025WR-XXC-LPSN	LCP UL 94V-0	---	---	X3025H

- ① Series No.
- ② Category: W-water
- ③ Welding Board Angle: R-90°
- ④ Welding Way: Blank-DIP
- ⑤ Row No.-Pin No.: XX-01P-12P
- ⑥ Plug the Pin & Special No.: C-The harpoon
- ⑦ Material: LP-LCP 94V-0;
- ⑧ 66-PA66 94V-0
- ⑨ Planting Category: SN-Bright tin plating
- ⑩ Color: Blank-Natural Color Black

X3025 W R X - XX C - XX SN XX
 ① ② ③ ④ ⑤ ⑥ ⑦ ⑧ ⑨

- Specifications :**
- Voltage rating: 250V AC / DC
 - Current rating: 5A AC / DC
 - Withstanding voltage: 1500V AC/minute
 - Temperature range: -40°C~+105°C
 - Insulation resistance: ≥1000MΩ
 - Contact resistance: ≤10mΩ
 - After environmental testing: ≤20mΩ

REVISIONS
(Unauthorized Signatures)

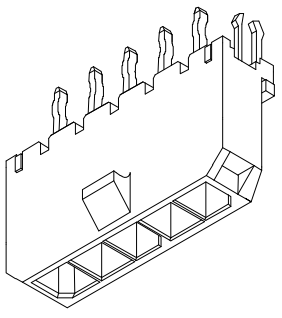
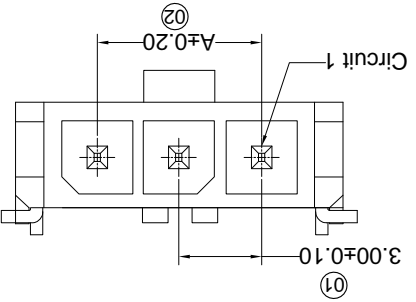
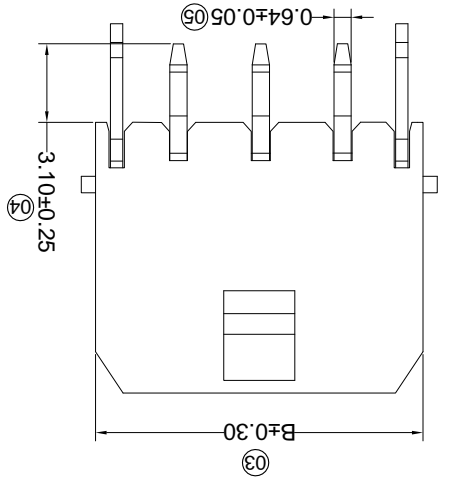
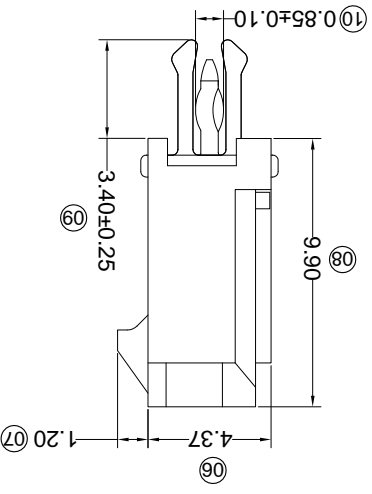
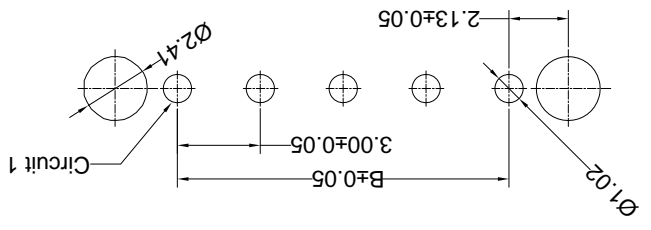
MARK	DESCRIPTION	DATE	REVISED	APPROVED	UNSPECIFIED TOLERANCES
△ X					L > 63 ± 0.5
△ X					16 < L ≤ 63 ± 0.4
△ X					4 < L ≤ 16 ± 0.3
					L ≤ 4 ± 0.2
					ANGULAR ± 5°

For and on behalf of
XKB INDUSTRIAL PRECISION CO., LIMITED
香港星坤工業精密有限公司

XKB INDUSTRIAL PRECISION CO., LIMITED

WEIGHT	1.0g
SHEET	1/1
REVISION	A0
SIZE:	A4
UNIT:	mm
VIEW:	①
SCALE:	N/A
MODEL TYPE:	X3025WV-XXC-XXSN
PART NO.:	
3.00 mm Crimp Style Connectors	
DWG NO.:	

P.C.B LAYOUT

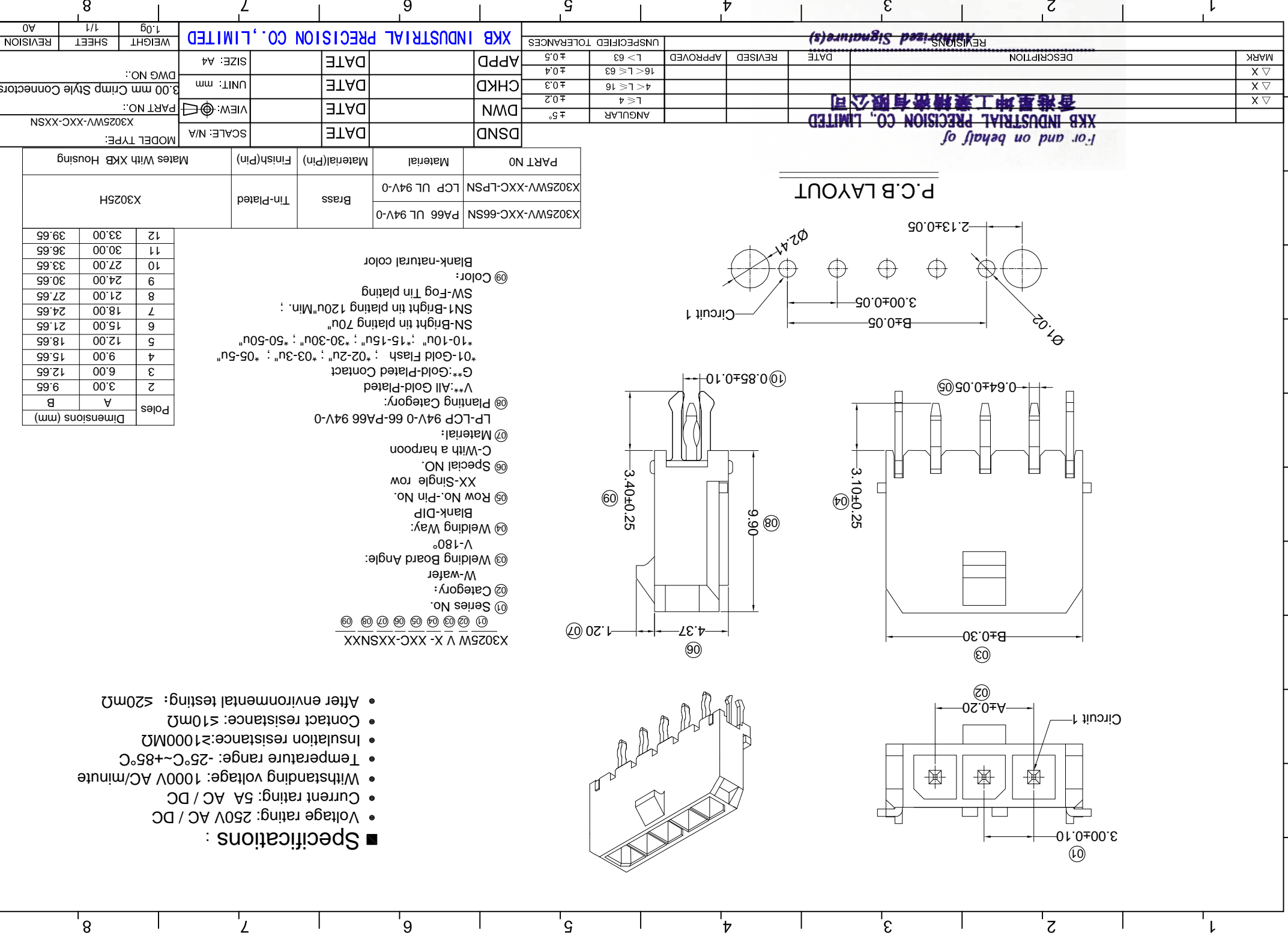


Poles	A	B
12	33.00	39.65
11	30.00	36.65
10	27.00	33.65
9	24.00	30.65
8	21.00	27.65
7	18.00	24.65
6	15.00	21.65
5	12.00	18.65
4	9.00	15.65
3	6.00	12.65
2	3.00	9.65

- ① Series No.
- ② Category:
- ③ W-water
- ④ Welding Board Angle:
- ⑤ V-180°
- ⑥ Welding Way:
- ⑦ Blank-DIP
- ⑧ Row No.-Pin No.
- ⑨ XX-Single row
- ⑩ Special NO.
- ⑪ C-With a harpoon
- ⑫ Material:
- ⑬ LP-LCP 94V-0 66-PA66 94V-0
- ⑭ Planting Category:
- ⑮ V**All Gold-Plated
- ⑯ G**Gold-Plated Contact
- ⑰ *01-Gold Flash ; *02-2u" ; *03-3u" ; *05-5u"
- ⑱ *10-10u" ; *15-15u" ; *30-30u" ; *50-50u"
- ⑲ SN-Bright tin plating 70u"
- ⑳ SN1-Bright tin plating 120u"Min. ;
- ㉑ SW-Fog Tin plating
- ㉒ Color:
- ㉓ Blank-natural color

- Specifications :**
- Voltage rating: 250V AC / DC
 - Current rating: 5A AC / DC
 - Withstanding voltage: 1000V AC/minute
 - Temperature range: -25°C~+85°C
 - Insulation resistance: ≥1000MΩ
 - Contact resistance: ≤10mΩ
 - After environmental testing: ≤20mΩ

PART NO	Material	Material(Pin)	Finish(Pin)	Mates With XKB Housing
X3025WV-XXC-66SN	PA66 UL 94V-0	Brass	Tin-Plated	X3025H
X3025WV-XXC-LP6SN	LCP UL 94V-0			



X-ON Electronics

Largest Supplier of Electrical and Electronic Components

Click to view similar products for [Headers & Wire Housings](#) category:

Click to view products by [XKB](#) manufacturer:

Other Similar products are found below :

[95000-104TRLF](#) [10135584-644402LF](#) [DF62W-EP2022PCA](#) [95000-106TRLF](#) [DF62W-2022SCA](#) [DF62W-EP2022PC](#) [2203348](#) [DF62W-2022SC](#) [1084018](#) [1029039](#) [1084017](#) [802-10-012-10-002000](#) [1112640](#) [1112639](#) [891-007-9SS-BST1T](#) [000-34000](#) [0008550134](#) [0009482033](#) [0009507031](#) [57102-F02-18ULF](#) [57102-S06-03LF](#) [57202-S52-04LF](#) [PCN6-15S-2.5E](#) [0039019024](#) [58102-G61-06LF](#) [582553-1](#) [0009485154](#) [0009508121](#) [0022285053](#) [0050291907](#) [018731A](#) [LY20-4P-DT1-P1E-BR](#) [02.125.8002.8](#) [60101931](#) [60598-1 \(Cut Strip\)](#) [M1625-3R/100](#) [61062-3](#) [61082-181009](#) [CSU011177004](#) [636-1427](#) [638009-1](#) [641938-9](#) [641991-4](#) [644168-1](#) [644827-2](#) [647662-1](#) [65039-019ELF](#) [65692-001LF](#) [65781-018](#) [65781-047](#)