

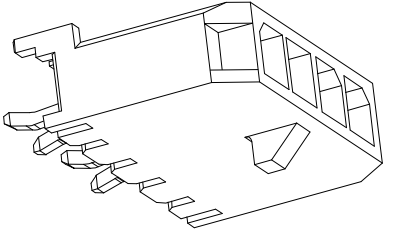
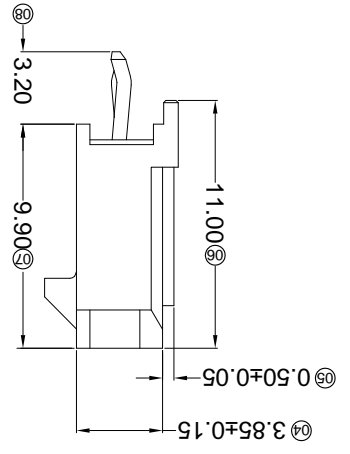
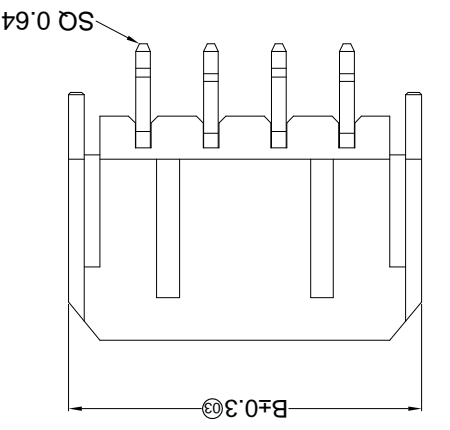
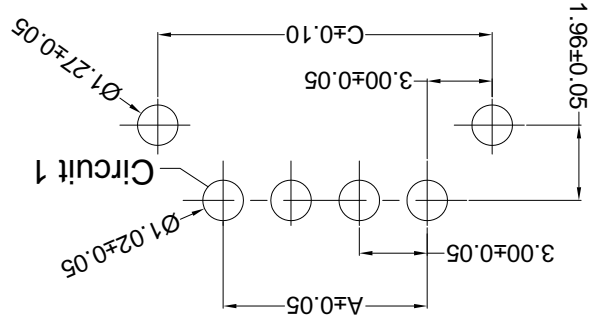
For and on behalf of
XKB INDUSTRIAL PRECISION CO., LIMITED
 香港星坤工業精密有限公司

REVISIONS
 Authorized Signatures(s)

MARK	DESCRIPTION	DATE	REVISED	APPROVED	UNSPECIFIED TOLERANCES
△ X					L > 63 ± 0.5
△ X					16 < L ≤ 63 ± 0.4
△ X					4 < L ≤ 16 ± 0.3
					L ≤ 4 ± 0.2
					ANGULAR ± 5°

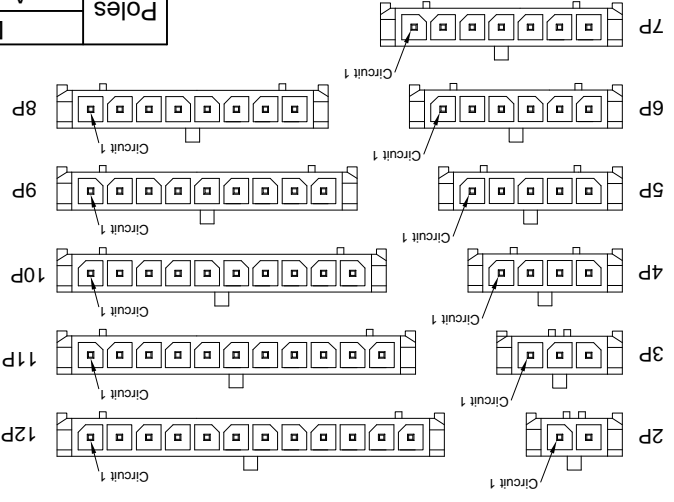
DSND	DATE	SCALE: N/A	MODEL TYPE: X3025WV - NOSN
DWN	DATE	VIEW:	PART NO.:
CHKD	DATE	UNIT: mm	DWG NO.:
APPD	DATE	SIZE: A4	REVISION
			WEIGHT 1.0g
			SHEET 1/1
			NO. 8

P.C.B LAYOUT



PART NO	Material	Material(Pin)	Finish(Pin)	Mates With XKB Housing
X3025WV-XX-66SN	PA66 UL 94V-0	Brass	Tin-Plated	X3025H
X3025WV-XX-46SN	PA46 UL 94V-0			
X3025WV-XX-NOSN	PA9T UL 94V-0			

Poles	A	B	C
02	3.00	9.65	9.00
03	6.00	12.65	12.00
04	9.00	15.65	15.00
05	12.00	18.65	18.00
06	15.00	21.65	21.00
07	18.00	24.65	24.00
08	21.00	27.65	27.00
09	24.00	30.65	30.00
10	27.00	33.65	33.00
11	30.00	36.65	36.00
12	33.00	39.65	39.00



- Specifications :
- ① Voltage rating: 250V AC / DC
 - ② Current rating: 5A AC / DC
 - ③ Category: W-water
 - ④ Welding Board Angle: V- Straight 180°
 - ⑤ Welding Way: Blank-DIP
 - ⑥ Row No.-Pin No.: XX-02P-12P
 - ⑦ Plug the Pin & Special No.:
 - ⑧ Material: 46-PA46 94V-0; NO-PA9T 94V-0; 66-PA66 94V-0
 - ⑨ Planting Category: SN-Bright tin plating
 - ⑩ Color: Blank-Natural Color
- After environmental testing: ≤20mΩ
- Contact resistance: ≤10mΩ
- Insulation resistance: ≥1000MΩ
- Temperature range: -25°C~+85°C
- Withstanding voltage: 1500V AC/minute

- X3025 W V X-XX X-XX SN XX
- ① Series No.
- ② Category: W-water
- ③ Welding Board Angle: V- Straight 180°
- ④ Welding Way: Blank-DIP
- ⑤ Row No.-Pin No.: XX-02P-12P
- ⑥ Plug the Pin & Special No.:
- ⑦ Material: 46-PA46 94V-0; NO-PA9T 94V-0; 66-PA66 94V-0
- ⑧ Planting Category: SN-Bright tin plating
- ⑨ Color: Blank-Natural Color

X-ON Electronics

Largest Supplier of Electrical and Electronic Components

Click to view similar products for [Headers & Wire Housings](#) category:

Click to view products by [XKB](#) manufacturer:

Other Similar products are found below :

[95000-104TRLF](#) [10135584-644402LF](#) [DF62W-EP2022PCA](#) [95000-106TRLF](#) [DF62W-2022SCA](#) [DF62W-EP2022PC](#) [2203348](#) [DF62W-2022SC](#) [1084018](#) [1029039](#) [1084017](#) [802-10-012-10-002000](#) [1112640](#) [1112639](#) [891-007-9SS-BST1T](#) [000-34000](#) [0008550134](#) [0009482033](#) [0009507031](#) [57102-F02-18ULF](#) [57102-S06-03LF](#) [57202-S52-04LF](#) [PCN6-15S-2.5E](#) [0039019024](#) [58102-G61-06LF](#) [582553-1](#) [0009485154](#) [0009508121](#) [0022285053](#) [0050291907](#) [018731A](#) [LY20-4P-DT1-P1E-BR](#) [02.125.8002.8](#) [60101931](#) [60598-1 \(Cut Strip\)](#) [M1625-3R/100](#) [61062-3](#) [61082-181009](#) [CSU011177004](#) [636-1427](#) [638009-1](#) [641938-9](#) [641991-4](#) [644168-1](#) [644827-2](#) [647662-1](#) [65039-019ELF](#) [65692-001LF](#) [65781-018](#) [65781-047](#)