

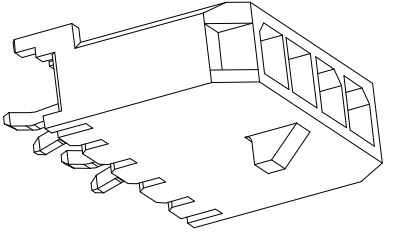
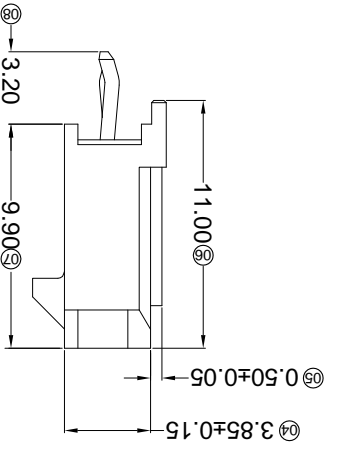
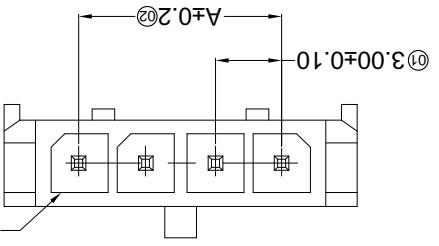
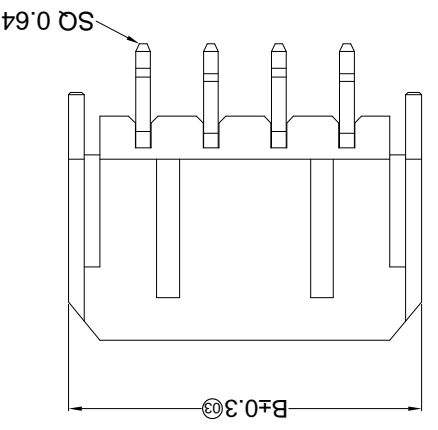
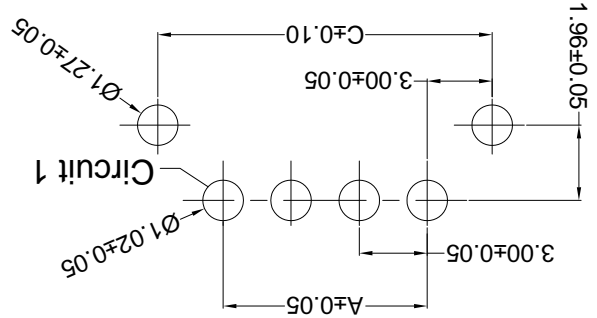
For and on behalf of  
**KXB INDUSTRIAL PRECISION CO., LIMITED**  
 香港星坤工業精密有限公司

REVISIONS  
 Authorized Signatures(s)

| MARK | DESCRIPTION | DATE | REVISED | APPROVED | UNSPECIFIED TOLERANCES |
|------|-------------|------|---------|----------|------------------------|
| △ X  |             |      |         |          | L > 63 ± 0.5           |
| △ X  |             |      |         |          | 16 < L ≤ 63 ± 0.4      |
| △ X  |             |      |         |          | 4 < L ≤ 16 ± 0.3       |
|      |             |      |         |          | L ≤ 4 ± 0.2            |
|      |             |      |         |          | ANGULAR ± 5°           |

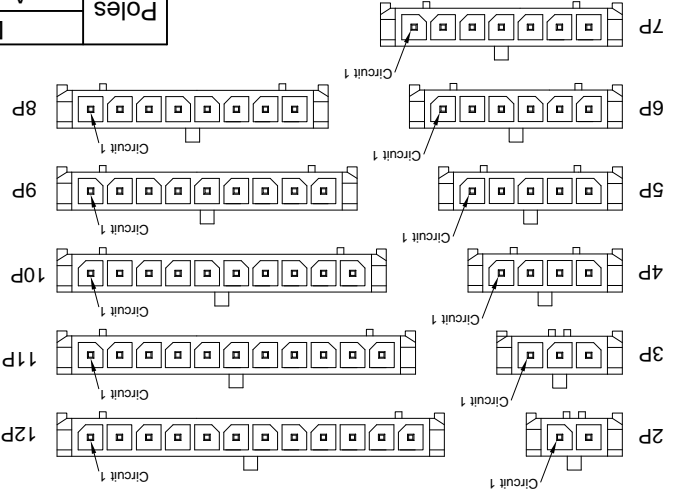
| DSND | DATE | SCALE: N/A | MODEL TYPE: X3025WV - NOSN |
|------|------|------------|----------------------------|
| DWN  | DATE | VIEW:      | PART NO.:                  |
| CHKD | DATE | UNIT: mm   | DWG NO.:                   |
| APPD | DATE | SIZE: A4   | REVISION                   |
|      |      |            | WEIGHT 1.0g                |
|      |      |            | SHEET 1/1                  |
|      |      |            | NO. 8                      |

P.C.B LAYOUT



| PART NO         | Material      | Material(Pin) | Finish(Pin) | Mates With XKB Housing |
|-----------------|---------------|---------------|-------------|------------------------|
| X3025WV-XX-66SN | PA66 UL 94V-0 | Brass         | Tin-Plated  | X3025H                 |
| X3025WV-XX-46SN | PA46 UL 94V-0 |               |             |                        |
| X3025WV-XX-NOSN | PA9T UL 94V-0 |               |             |                        |

| Poles | A     | B     | C     |
|-------|-------|-------|-------|
| 02    | 3.00  | 9.65  | 9.00  |
| 03    | 6.00  | 12.65 | 12.00 |
| 04    | 9.00  | 15.65 | 15.00 |
| 05    | 12.00 | 18.65 | 18.00 |
| 06    | 15.00 | 21.65 | 21.00 |
| 07    | 18.00 | 24.65 | 24.00 |
| 08    | 21.00 | 27.65 | 27.00 |
| 09    | 24.00 | 30.65 | 30.00 |
| 10    | 27.00 | 33.65 | 33.00 |
| 11    | 30.00 | 36.65 | 36.00 |
| 12    | 33.00 | 39.65 | 39.00 |



- Specifications :
- ① Voltage rating: 250V AC / DC
  - ② Current rating: 5A AC / DC
  - ③ Category: W-water
  - ④ Welding Board Angle: V- Straight 180°
  - ⑤ Welding Way: Blank-DIP
  - ⑥ Row No.-Pin No.: XX-02P-12P
  - ⑦ Plug the Pin & Special No.:
  - ⑧ Material: 46-PA46 94V-0; NO-PA9T 94V-0; 66-PA66 94V-0
  - ⑨ Planting Category: SN-Bright tin plating
  - ⑩ Color: Blank-Natural Color
- After environmental testing: ≤20mΩ
- Contact resistance: ≤10mΩ
- Insulation resistance: ≥1000MΩ
- Temperature range: -25°C~+85°C
- Withstanding voltage: 1500V AC/minute

- X3025 W V X-XX X-XX SN XX
- ① Series No.
- ② Category: W-water
- ③ Welding Board Angle: V- Straight 180°
- ④ Welding Way: Blank-DIP
- ⑤ Row No.-Pin No.: XX-02P-12P
- ⑥ Plug the Pin & Special No.:
- ⑦ Material: 46-PA46 94V-0; NO-PA9T 94V-0; 66-PA66 94V-0
- ⑧ Planting Category: SN-Bright tin plating
- ⑨ Color: Blank-Natural Color

## X-ON Electronics

Largest Supplier of Electrical and Electronic Components

*Click to view similar products for [Headers & Wire Housings](#) category:*

*Click to view products by [XKB](#) manufacturer:*

Other Similar products are found below :

[95000-104TRLF](#) [10135584-644402LF](#) [DF62W-EP2022PCA](#) [95000-106TRLF](#) [DF62W-2022SCA](#) [DF62W-EP2022PC](#) [2203348](#) [DF62W-2022SC](#) [1084018](#) [1029039](#) [1084017](#) [802-10-012-10-002000](#) [1112640](#) [1112639](#) [891-007-9SS-BST1T](#) [000-34000](#) [0008550134](#) [0009482033](#) [0009507031](#) [57102-F02-18ULF](#) [57102-S06-03LF](#) [57202-S52-04LF](#) [PCN6-15S-2.5E](#) [0039019024](#) [58102-G61-06LF](#) [582553-1](#) [0009485154](#) [0009508121](#) [0022285053](#) [0050291907](#) [018731A](#) [LY20-4P-DT1-P1E-BR](#) [02.125.8002.8](#) [60101931](#) [60598-1 \(Cut Strip\)](#) [M1625-3R/100](#) [61062-3](#) [61082-181009](#) [CSU011177004](#) [636-1427](#) [638009-1](#) [641938-9](#) [641991-4](#) [644168-1](#) [644827-2](#) [647662-1](#) [65039-019ELF](#) [65692-001LF](#) [65781-018](#) [65781-047](#)