

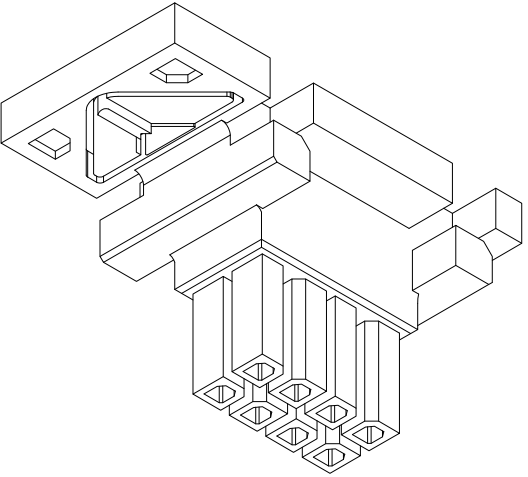
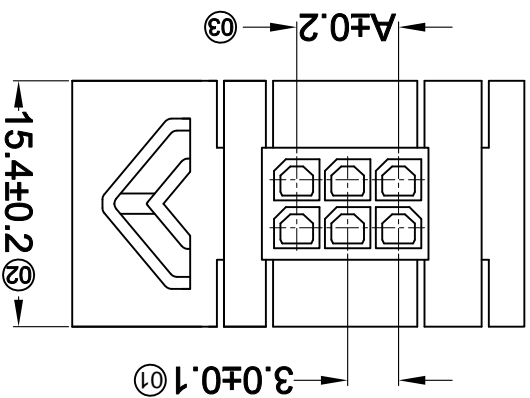
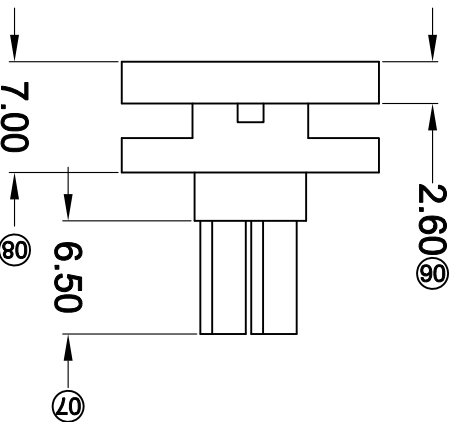
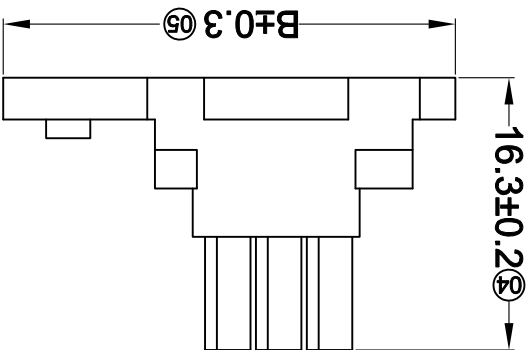
For and on behalf of  
**KKB INDUSTRIAL PRECISION CO., LIMITED**  
 香港星坤工業精密有限公司

REVISIONS  
 Authorized Signature(s)

MARK	DESCRIPTION	DATE	REVISED	APPROVED	UNSPECIFIED TOLERANCES
△ X					L > 63 ±0.5
△ X					16 < L ≤ 63 ±0.4
△ X					4 < L ≤ 16 ±0.3
					L ≤ 4 ±0.2
					ANGULAR ±5°

DATE	SCALE: N/A	MODEL TYPE: X3025HF-2*XXWS-N2	DATE	VIEW:	UNIT: mm	SIZE: A4
DATE			DATE			
DATE			DATE			
DATE			DATE			

WEIGHT	SHEET	REVISION
1.0g	1/1	A0



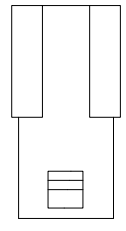
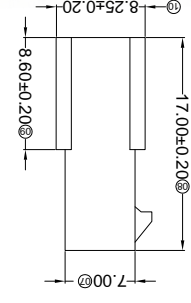
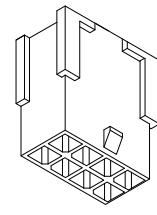
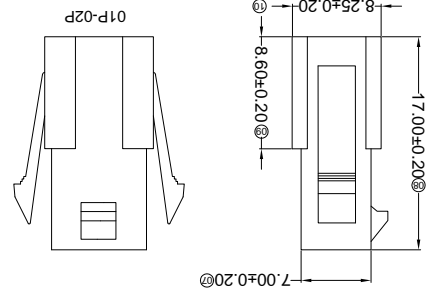
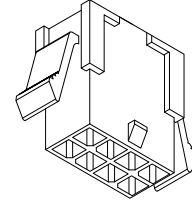
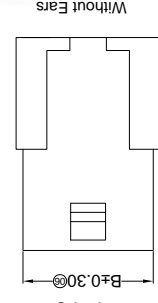
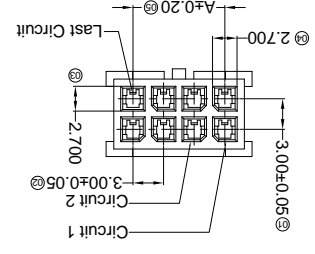
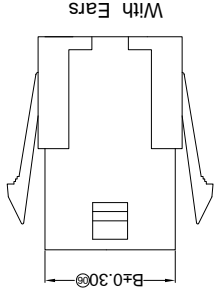
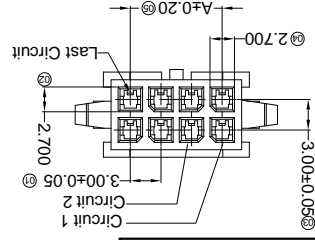
Poles	Dimensions(mm)		Poles	A	B
	A	B			
2*02	3.00	24.85	2*08	21.00	42.85
2*03	6.00	27.85	2*09	24.00	45.85
2*04	9.00	30.85	2*10	27.00	48.85
2*05	12.00	33.85	2*11	30.00	51.85
2*06	15.00	36.85	2*12	33.00	54.85
2*07	18.00	39.85			

- ① Series No.
- ② Category: H-HSG
- ③ Welding Board Angle: F-Female HSG
- ④ Row No.-Pin No.: 2\*XX-2\*02P~2\*12P
- ⑤ Plug the Pin & special No.: WS-With Base
- ⑥ Material: N2-PA66 94V-2;
- ⑦ Color: Blank-natural color

X3025 H F-2\*XX WS-N2 XX

- Specifications :
- Voltage rating: 250V AC / DC
  - Current rating: 5A AC / DC
  - Withstanding voltage: 1500V AC/minute
  - Temperature range: -25°C~+85°C
  - Insulation resistance: ≥1000MΩ
  - Contact resistance: ≤10mΩ
  - After environmental testing: ≤17mΩ

**RoHS**  
Lead-free



01P-02P

For and on behalf of  
**XKB INDUSTRIAL PRECISION CO., LIMITED**  
香港星坤工業精密有限公司

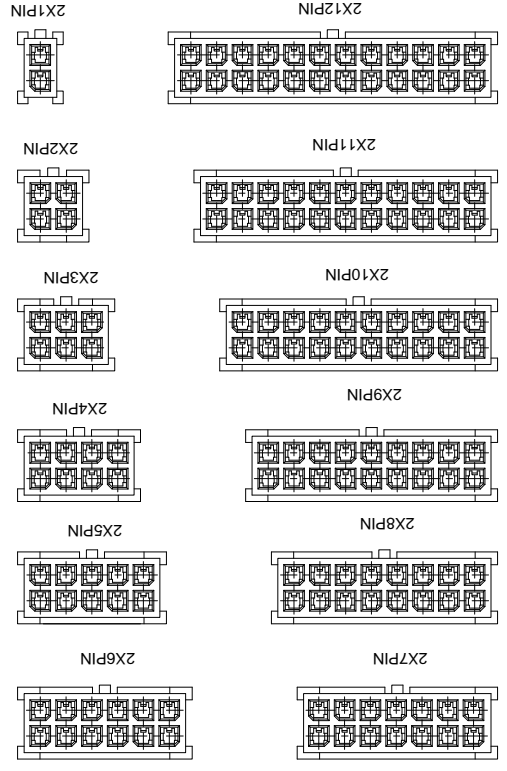
REVISIONS  
*(Unauthorized Signature(s))*

MARK	DESCRIPTION	DATE	REVISED	APPROVED	UNSPECIFIED TOLERANCES
△ X					$L > 63$ $\pm 0.5$
△ X					$16 < L \leq 63$ $\pm 0.4$
△ X					$4 < L \leq 16$ $\pm 0.3$
△ X					$L \leq 4$ $\pm 0.2$
					ANGULAR $\pm 5^\circ$

DSND	DATE	SCALE: N/A	MODEL TYPE: X3025HF-2*XX-N2
DWN	DATE	VIEW:	PART NO.: 3.00 mm Crimp Style Connectors
CHKD	DATE	UNIT: mm	DWG NO.:
APPD	DATE	SIZE: A4	WEIGHT: 1.0g
		SHEET: 1/1	REVISION: A0

PART NO	Material	Suitable SWB Terminal	Mates With XKB Housing	Note
X3025HF-2*XXG-N2	Nylon 66 94V-2	X3025TM	X3025HM	With Ears
X3025HF-2*XXI-N2	Nylon 66 94V-2	X3025TM	X3025HM	Without Ears

Poles	Dimensions(mm)		Poles	Dimensions(mm)	
	A	B		A	B
2*01	18.00	22.00	2*07	18.00	22.00
2*02	3.00	7.00	2*08	21.00	25.00
2*03	6.00	10.00	2*09	24.00	28.00
2*04	9.00	13.00	2*10	27.00	31.00
2*05	12.00	16.00	2*11	30.00	34.00
2*06	15.00	19.00	2*12	33.00	37.00



- ① Series No.  
② Category: H-HSG  
③ Welding Board Angle: F-Female HSG  
④ Row No.-Pin No.: 2\*XX-2\*01P-2\*12P  
⑤ Plug the Pin & special No.: I-Without Ears  
G-With Ears  
⑥ Material: N2-PA66 94V-2;  
⑦ Color: Blank-Natural Color

- Specifications:  
• Voltage rating: 250V AC / DC  
• Current rating: 5A AC / DC  
• Withstanding voltage: 1000V AC/minute  
• Temperature range: -25°C~+85°C  
• Insulation resistance:  $\geq 1000M\Omega$   
• Contact resistance:  $\leq 10m\Omega$   
• After environmental testing:  $\leq 20m\Omega$

X3025 H F-2\*XX XX-N2 XX

① ② ③ ④ ⑤ ⑥ ⑦

For and on behalf of  
**KRB INDUSTRIAL PRECISION CO., LIMITED**  
 香港星坤工業精密有限公司

MARK	DESCRIPTION	DATE	REVISIONS	UNSPECIFIED TOLERANCES
△ X				L > 63 ±0.5
△ X				16 > L ≤ 63 ±0.4
△ X				4 < L ≤ 16 ±0.3
				L ≤ 4 ±0.2
				ANGULAR ±5°

REVISIONS	DATE	APPROVED	REVISOR	UNSPECIFIED TOLERANCES
				L > 63 ±0.5
				16 > L ≤ 63 ±0.4
				4 < L ≤ 16 ±0.3
				L ≤ 4 ±0.2
				ANGULAR ±5°

DATE	SCALE: N/A	MODEL TYPE: X3025HM-2*XXWS-N2	VIEW:	DATE	DATE	DATE	DATE

DATE	SCALE: N/A	MODEL TYPE: X3025HM-2*XXWS-N2	VIEW:	DATE	DATE	DATE	DATE

DATE	SCALE: N/A	MODEL TYPE: X3025HM-2*XXWS-N2	VIEW:	DATE	DATE	DATE	DATE

DATE	SCALE: N/A	MODEL TYPE: X3025HM-2*XXWS-N2	VIEW:	DATE	DATE	DATE	DATE

DATE	SCALE: N/A	MODEL TYPE: X3025HM-2*XXWS-N2	VIEW:	DATE	DATE	DATE	DATE

DATE	SCALE: N/A	MODEL TYPE: X3025HM-2*XXWS-N2	VIEW:	DATE	DATE	DATE	DATE

DATE	SCALE: N/A	MODEL TYPE: X3025HM-2*XXWS-N2	VIEW:	DATE	DATE	DATE	DATE

DATE	SCALE: N/A	MODEL TYPE: X3025HM-2*XXWS-N2	VIEW:	DATE	DATE	DATE	DATE

DATE	SCALE: N/A	MODEL TYPE: X3025HM-2*XXWS-N2	VIEW:	DATE	DATE	DATE	DATE

DATE	SCALE: N/A	MODEL TYPE: X3025HM-2*XXWS-N2	VIEW:	DATE	DATE	DATE	DATE

DATE	SCALE: N/A	MODEL TYPE: X3025HM-2*XXWS-N2	VIEW:	DATE	DATE	DATE	DATE

DATE	SCALE: N/A	MODEL TYPE: X3025HM-2*XXWS-N2	VIEW:	DATE	DATE	DATE	DATE

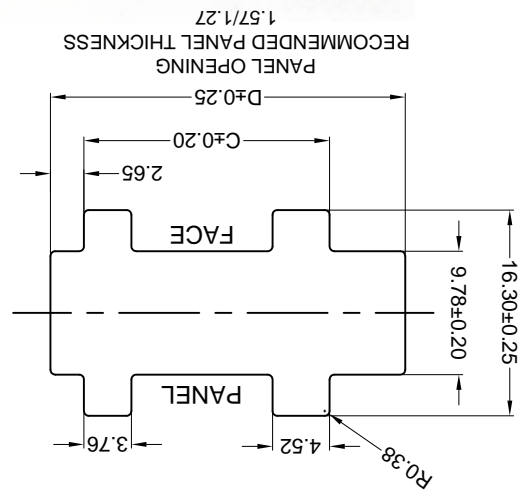
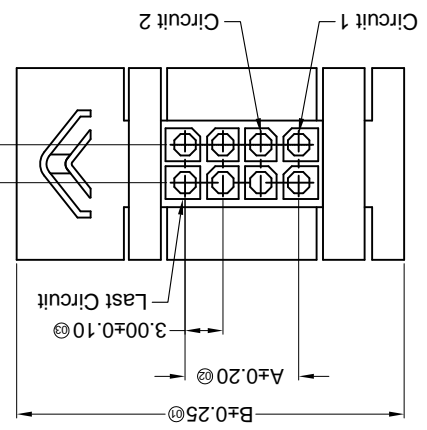
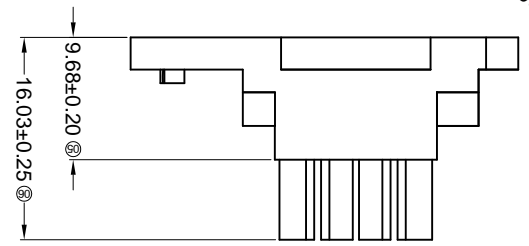
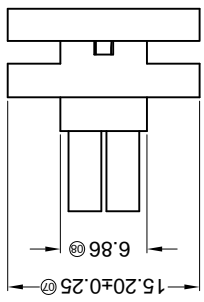
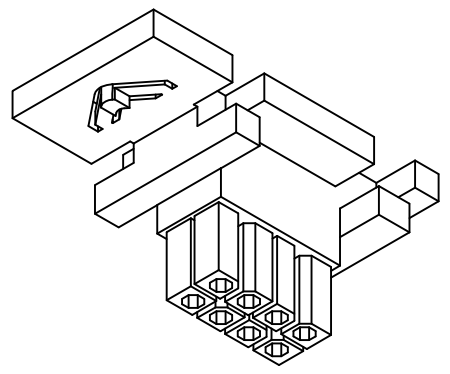
PART NO	Material	Suitable SWB Terminal	Mates With XKB Wafer
X3025HM-2*XXWS-N2	Nylon 66 94V-2	X3025TF	X3025W

Poles	A	B	C	D
2*02	3.00	24.60	13.46	22.10
2*03	6.00	27.70	16.46	25.10
2*04	9.00	30.70	19.46	28.10
2*05	12.00	33.80	22.46	31.10
2*06	15.00	36.80	25.46	34.10
2*07	18.00	39.90	28.46	37.10
2*08	21.00	42.90	31.46	40.10
2*09	24.00	46.00	34.46	43.10
2*10	27.00	49.00	37.46	46.10
2*11	30.00	51.80	40.46	49.10
2*12	33.00	54.90	43.46	52.10

- ① Series No.
- ② Category: H-HSG
- ③ Welding Board Angle: M-Male HSG
- ④ Row No.-Pin No.: 2\*XX-2\*02P~2\*10P
- ⑤ Plug the Pin & special No.: WS-With Base
- ⑥ Material: N2-PA66 94V-2;
- ⑦ Color: Blank-natural color Black

X3025 H M-2\*XX WS-N2 XX

- Specifications :
- Voltage rating: 250V AC / DC
- Current rating: 5A AC / DC
- Withstanding voltage: 1500V AC/minute
- Temperature range: -25°C~+85°C
- Insulation resistance: ≥1000MΩ
- Contact resistance: ≤10mΩ
- After environmental testing: ≤20mΩ



PANEL OPENING  
 RECOMMENDED PANEL THICKNESS  
 1.57/1.27

REVISIONS  
Authorized Signatures(s)

MARK	DESCRIPTION	DATE	REVISED	APPROVED	UNSPECIFIED TOLERANCES
△ X					L > 63 ±0.5
△ X					16 < L ≤ 63 ±0.4
△ X					4 < L ≤ 16 ±0.3
					L ≤ 4 ±0.2
					ANGULAR ±5°

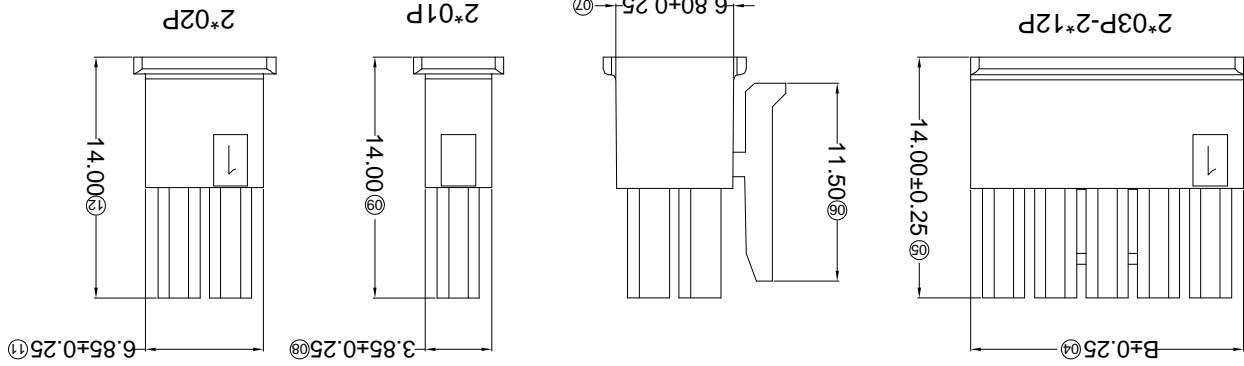
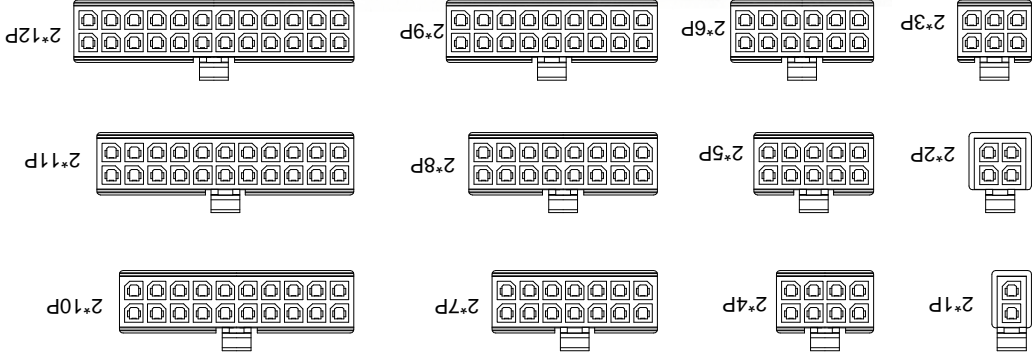
For and on behalf of  
KXB INDUSTRIAL PRECISION CO., LIMITED  
香港星坤工業精密有限公司

KXB INDUSTRIAL PRECISION CO., LIMITED

MODEL TYPE:	X3025HM-2*XX-N2
PART NO.:	X3025HM-2*XX-N2
3.00 mm Crimp Style Connectors	
DMG NO.:	
SIZE: A4	
UNIT: mm	
DATE	
DATE	
DATE	
VIEW:	
SCALE: N/A	
WEIGHT	1.0g
SHEET	1/1
REVISION	A0

PART NO	X3025HM-2*XX-N2	Material	Nylon 66 94V-2	Suitable SWB Terminal	X3025TF	Mates With XKB Water	X3025W
---------	-----------------	----------	----------------	-----------------------	---------	----------------------	--------

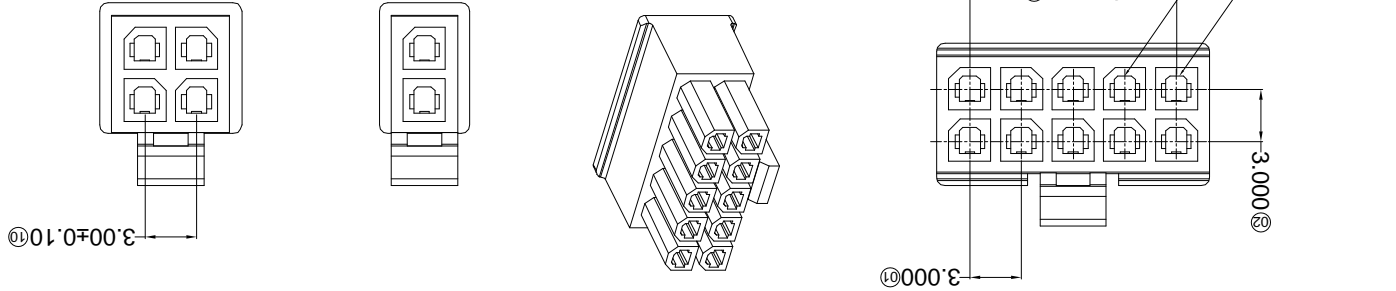
Poles	Dimensions(mm)		Poles	Dimensions(mm)	
	A	B		A	B
2*01	2*07	18.00	2*01	2*07	21.85
2*02	3.00	24.00	2*02	2*08	24.85
2*03	6.00	27.85	2*03	2*09	27.85
2*04	9.00	30.85	2*04	2*10	30.85
2*05	12.00	33.85	2*05	2*11	33.85
2*06	15.00	36.85	2*06	2*12	36.85



X3025 H M-2\*XX XX-N2 XX

- ① Series No.
- ② Category: H-HSG
- ③ Welding Board Angle: M-Male HSG
- ④ Row No.-Pin No.: 2\*XX-2\*01P~2\*12P
- ⑤ Plug the Pin & special No.:
- ⑥ Material: N2-PA66 94V-2;
- ⑦ Color: Blank-Natural Color

- Specifications :
- Voltage rating: 250V AC / DC
  - Current rating: 5A AC / DC
  - Withstanding voltage: 1000V AC/minute
  - Temperature range: -25°C~+85°C
  - Insulation resistance: ≥1000MΩ
  - Contact resistance: ≤10mΩ
  - After environmental testing: ≤20mΩ



For and on behalf of  
**KXB INDUSTRIAL PRECISION CO., LIMITED**  
 香港星坤工業精密有限公司

REVISIONS  
 Authorized Signature(s)

MARK	DESCRIPTION	DATE	REVISED	APPROVED	UNSPECIFIED TOLERANCES
△ X					L > 63 ± 0.5
△ X					16 < L ≤ 63 ± 0.4
△ X					4 < L ≤ 16 ± 0.3
△ X					L ≤ 4 ± 0.2
					ANGULAR ± 5°

REVISION	SHEET	WEIGHT	SIZE	DATE	DATE	DATE	DATE
A0	1/1	1.0g	A4				

APPD	CHKD	DWN	DSND

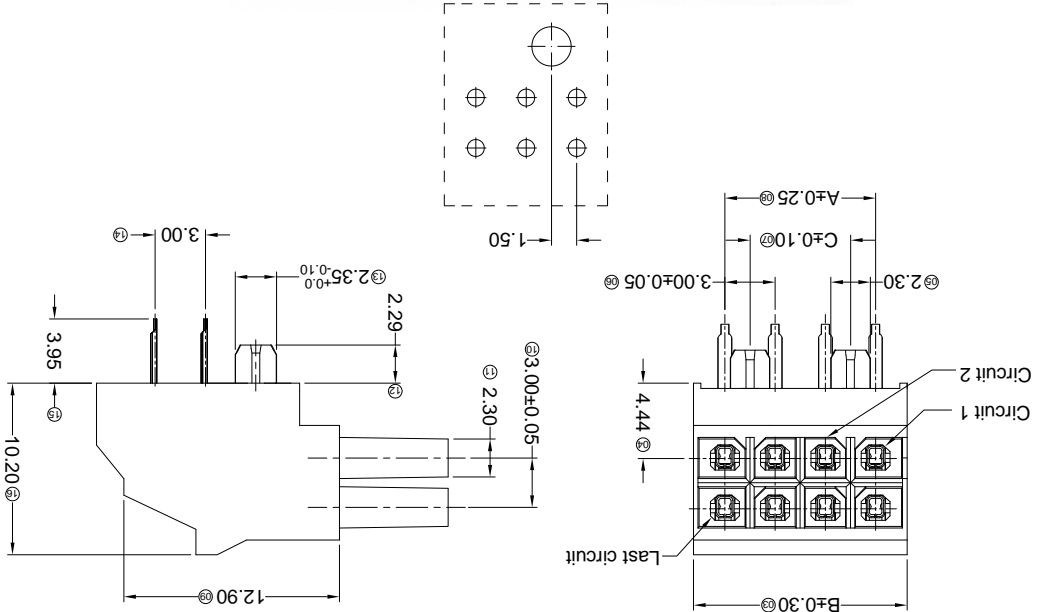
UNIT	VIEW	SCALE
mm	VIEW: ①	N/A

MODEL TYPE	PART NO.	DWG NO.:
X3025HR-2*XX-LPSN	3.00 mm Crimp Style Connectors	

Part No.	Material	Material(Pin)	Finish(Pin)	Mates With XKB Housing
X3025HR-2*XX-LPSN	LCP UL 94V-0	Brass	Tin-Plated	X3025HW or 3025H

Poles	Dimensions(mm)		
	A	B	C
2'02	3.00	6.70	2'08
2'03	6.00	9.70	2'09
2'04	9.00	12.70	2'10
2'05	12.00	15.70	2'11
2'06	15.00	18.70	2'12
2'07	18.00	21.70	15.00

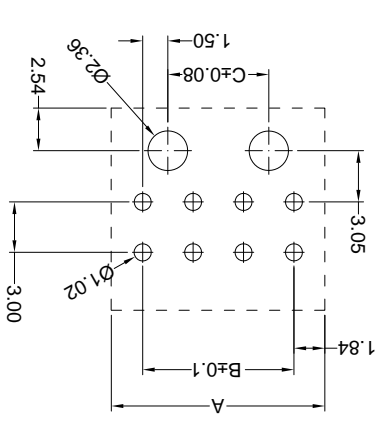
Poles	Dimensions(mm)		
	A	B	C
2'02	21.00	24.70	18.00
2'03	24.00	27.70	21.00
2'04	27.00	30.70	24.00
2'05	30.00	33.70	27.00
2'06	33.00	36.70	30.00
2'07	36.00	39.70	33.00



- ① Series No.
- ② Category: H-HSG
- ③ Welding Board Angle: BOARD-IN-R-90°
- ④ Row No.-Pin No.: 2\*XX-2\*02P~2\*12P
- ⑤ Plug the Pin & special No.:
- ⑥ Material: LP-LCP 94V-0;
- ⑦ Plating Category: SN-Bright tin plating
- ⑧ Color: Blank-Natural Color

X3025 H R-2\*XX LP SN XX

- Specifications :
- Voltage rating: 250V AC / DC
  - Current rating: 5A AC / DC
  - Withstanding voltage: 1000V AC/minute
  - Temperature range: -25°C~+85°C
  - Insulation resistance: ≥1000MΩ
  - Contact resistance: ≤10mΩ
  - After environmental testing: ≤20mΩ



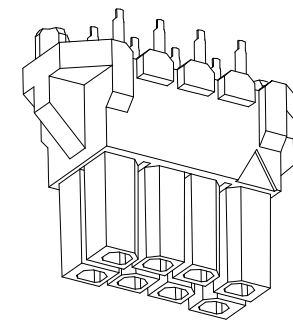
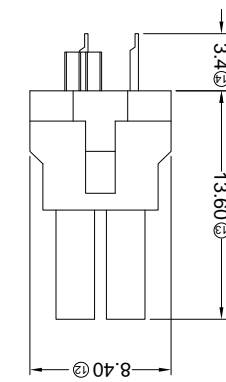
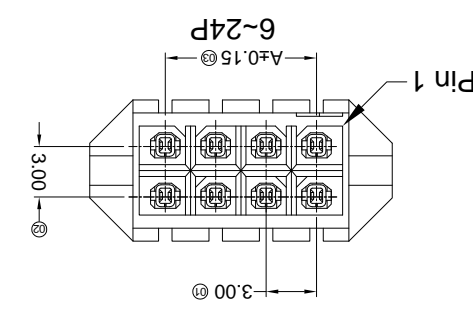
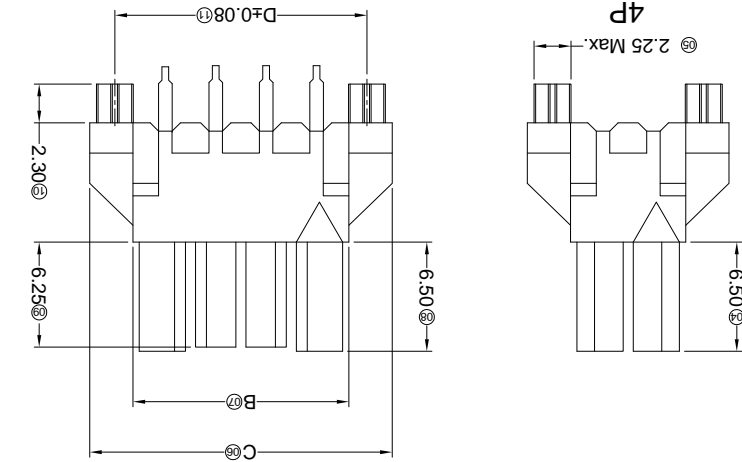
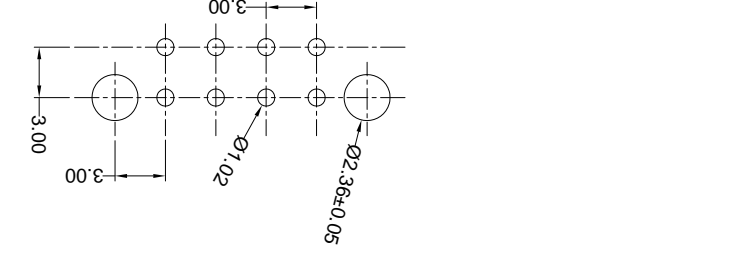
For and on behalf of  
**KRB INDUSTRIAL PRECISION CO., LIMITED**  
 香港星坤工業精密有限公司

REVISIONS  
 (Authorized Signatures)

MARK	DESCRIPTION	DATE	REVISED	APPROVED	UNSPECIFIED TOLERANCES
△ X					L > 63 ±0.5
△ X					16 < L ≤ 63 ±0.4
△ X					4 < L ≤ 16 ±0.3
△ X					L ≤ 4 ±0.2
					ANGULAR ±5°

DSND	DATE	SCALE: N/A	MODEL TYPE: X3025HV-2*XX-LPSN
DWN	DATE <td>VIEW: </td> <td>PART NO.: 3.00 mm Crimp Style Connectors</td>	VIEW:	PART NO.: 3.00 mm Crimp Style Connectors
CHKD	DATE <td>UNIT: mm</td> <td>DWG NO.:</td>	UNIT: mm	DWG NO.:
APPD	DATE <td>SIZE: A4</td> <td>WEIGHT 1.0g</td>	SIZE: A4	WEIGHT 1.0g
			SHEET 1/1
			REVISION A0

Recommended P.C.B Layout



Part No.	Material	Material(Pin)	Finish(Pin)	Mates With KRB Housing
X3025HV-2*XX-LPSN	LCP UL 94V-0	Brass	Tin-Plated	X3025HW or 3025H

Poles	Dimensions(mm)			
	A	B	C	D
2*02	3.00	6.85	12.00	9.00
2*03	6.00	9.85	15.00	12.00
2*04	9.00	12.85	18.00	15.00
2*05	12.00	15.85	21.00	18.00
2*06	15.00	18.85	24.00	21.00
2*07	18.00	21.85	27.00	24.00
2*08	21.00	24.85	30.00	27.00
2*09	24.00	27.85	33.00	30.00
2*10	27.00	30.85	36.00	33.00
2*11	30.00	33.85	39.00	36.00
2*12	33.00	36.85	42.00	39.00

- ① Series No.
  - ② Category: H-HSG
  - ③ Welding Board Angle: BOARD-IN: V-180°
  - ④ Row No.-Pin No.: 2\*XX-2\*02P~2\*12P
  - ⑤ Plug the Pin & special No.:
  - ⑥ Material: LP-LCP 94V-0;
  - ⑦ Plating Category: SN-Bright tin plating
  - ⑧ Color: Blank-Natural Color
- X3025 H V-2\*XX LP SN XX

- Specifications:
- Voltage rating: 250V AC / DC
  - Current rating: 5A AC / DC
  - Withstanding voltage: 1000V AC/minute
  - Temperature range: -25°C~+85°C
  - Insulation resistance: ≥1000MΩ
  - Contact resistance: ≤10mΩ
  - After environmental testing: ≤20mΩ



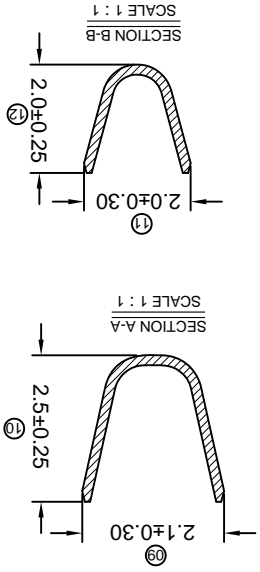
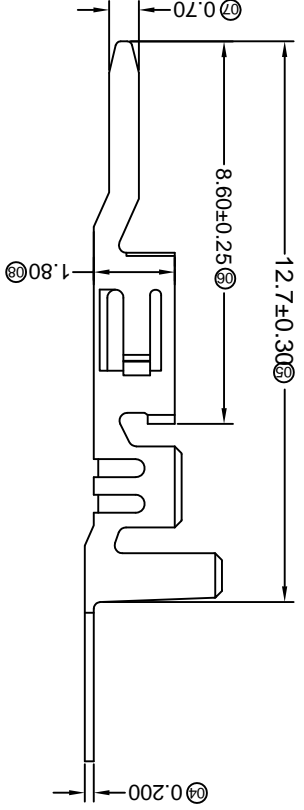
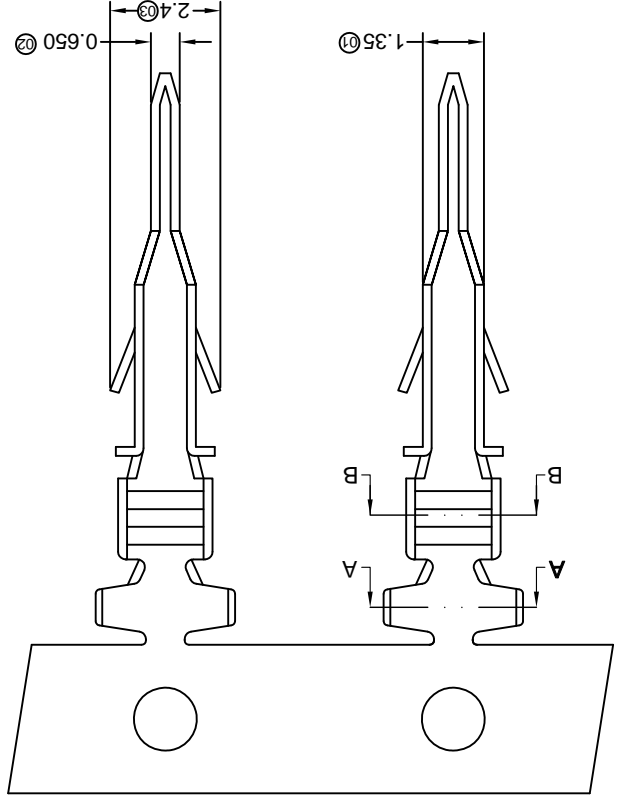
REVISIONS  
*Authorized Signature(s)*

For and on behalf of  
**XKB INDUSTRIAL PRECISION CO., LIMITED**  
香港星坤工業精密有限公司

MARK	DESCRIPTION	DATE	REVISED	APPROVED	UNSPECIFIED TOLERANCES
△ X					L > 63
△ X					16 > L ≤ 63
△ X					4 < L ≤ 16
△ X					L ≤ 4
					ANGULAR
					± 5°

DATE	SCALE: N/A	MODEL TYPE: X3025TM-PXX
DATE	VIEW:	PART NO.:
DATE	UNIT: mm	DWG NO.:
DATE	SIZE: A4	REVISION
DATE		SHEET
DATE		1/1
DATE		WEIGHT
DATE		1.0g

PART NO	Material	Wire Range	Insulation O.D.	Finish
X3025TM-PSN	Phosphor Bronze AWG#20-24	1.85mm(Max)		Stamping Before Plating:30u" Ni;70u" Sn
X3025TM-PG01				Stamping Before Plating:30u" Ni>Contact Area Gold Flash
X3025TM-PG15				Stamping Before Plating:30u" Ni>Contact Area Gold:15u" Min.
X3025TM-PG30				Stamping Before Plating:30u" Ni>Contact Area Gold:30u" Min.



- Specifications :**
- Voltage rating: 250V AC / DC
  - Current rating: 5A AC / DC
  - Withstanding voltage: 1000V AC/minute
  - Temperature range: -25°C~+85°C
  - Insulation resistance: ≥1000MΩ
  - Contact resistance: ≤10mΩ
  - After environmental testing: ≤20mΩ
- X3025 T-M-P XX X-X**
- ① Series Number
  - ② Category: T-terminal
  - ③ Shape: M-Male Terminal
  - ④ Material: P-Phosphor bronze
  - ⑤ Plating style: G-Gold-Plated Contact
  - ⑥ \*01-Gold Flash \*15-15u" \*30-30u"
  - ⑦ SN-Bright tin plating 70u"
  - ⑧ Plating method: Blank-Stamping before plating
  - ⑨ Mold No./Mark/Special No.

DATE	SCALE: N/A	MODEL TYPE: X3025TM-PXX
DATE	VIEW:	PART NO.:
DATE	UNIT: mm	DWG NO.:
DATE	SIZE: A4	REVISION
DATE		SHEET
DATE		1/1
DATE		WEIGHT
DATE		1.0g











REVISIONS  
 Authorized Signature(s)

MARK	DESCRIPTION	DATE	REVISED	APPROVED	UNSPECIFIED TOLERANCES
△ X					L > 63 ± 0.5
△ X					16 < L ≤ 63 ± 0.4
△ X					4 < L ≤ 16 ± 0.3
△ X					L ≤ 4 ± 0.2
					ANGULAR ± 5°

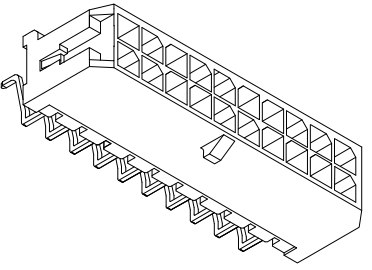
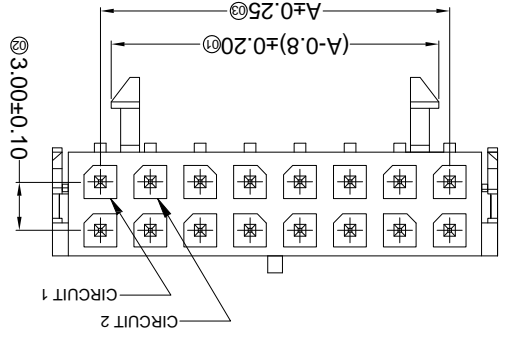
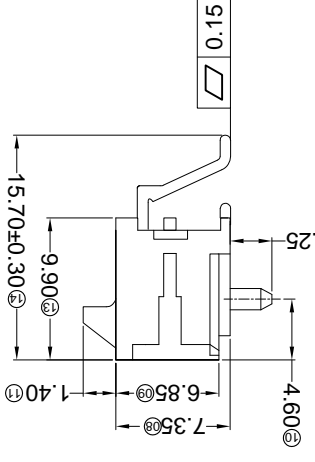
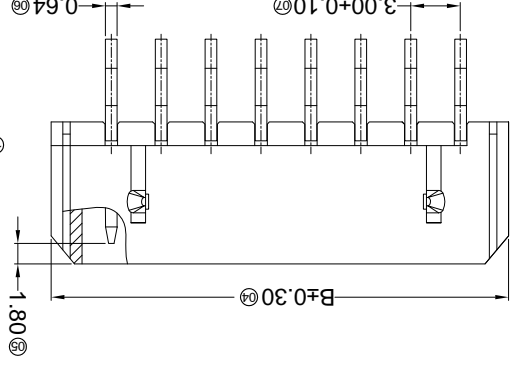
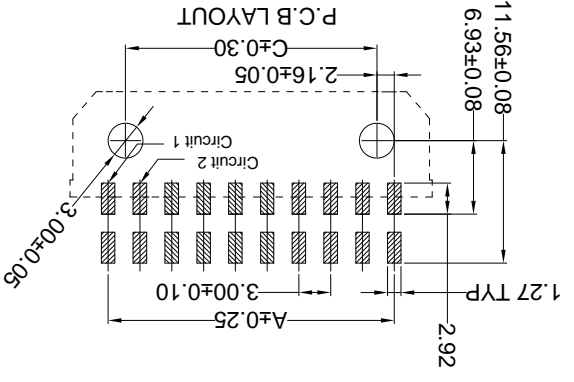
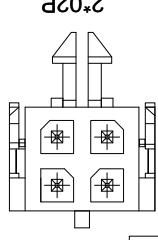
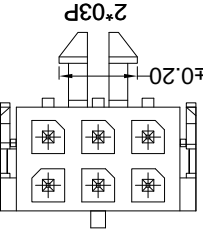
For and on behalf of  
 KKB INDUSTRIAL PRECISION CO., LIMITED  
 香港星坤工業精密有限公司

KKB INDUSTRIAL PRECISION CO., LIMITED

DATE	SCALE: N/A	MODEL TYPE:
		X3025WRS-2*XXA-LPXX
DATE	VIEW:	PART NO.:
DATE	UNIT: mm	DWG NO.:
		3.00 mm Crimp Style Connectors
DATE	SIZE: A4	REVISION
		A0
WEIGHT	SHEET	REVISION
1.0g	1/1	

PART NO	Material	Material(Pin)	Finish(Pin)	Mates With XKB Housing
X3025WRS-2*XXA-LP5W	LCP UL 94V-0	Brass	Tin-Plated	X3025H
X3025WRS-2*XXA-LP5W	LCP UL 94V-0	Brass	Mate Tin Plating	

Poles	Dimensions (mm)		
	A	B	C
2*01	6.65	6.65	2*07
2*02	3.00	9.65	2*08
2*03	6.00	12.65	2*09
2*04	9.00	15.65	4*07
2*05	12.00	18.65	7*07
2*06	15.00	21.65	10*07
Poles			
Dimensions (mm)			
A	B	C	
18.00	24.65	13.70	
21.00	27.65	16.70	
24.00	30.65	19.70	
27.00	33.65	22.70	
30.00	36.65	25.70	
33.00	39.65	28.70	



■ Specifications :

- Voltage rating: 250V AC / DC
- Current rating: 5A AC / DC
- Withstanding voltage: 1000V AC/minute
- Temperature range: -25°C~+85°C
- Insulation resistance: ≥1000MΩ
- Contact resistance: ≤10mΩ
- After environmental testing: ≤20mΩ

X3025 W R S-2\*XX A-LP XX XX  
 ① Series No.  
 ② Category: W-water  
 ③ Welding Board Angle: R- Right Angle 90°  
 ④ Welding Way: S-SMT  
 ⑤ Row No.-Pin No.: 2\*XX-2\*01P-2\*12P  
 ⑥ Plug the Pin & Special No.: A-With Post  
 ⑦ Material: LP-LCP 94V-0  
 ⑧ Planting Category: SN-Bright tin plating  
 ⑨ SW-Matte Tin plating  
 ⑩ Color: Blank-natural color

For and on behalf of  
**KXB INDUSTRIAL PRECISION CO., LIMITED**  
 香港星坤工業精密有限公司

REVISIONS  
 Authorized Signatures(s)

MARK	DESCRIPTION	DATE	REVISED	APPROVED	UNSPECIFIED TOLERANCES
△ X					L > 63
△ X					16 < L ≤ 63
△ X					4 < L ≤ 16
△ X					L ≤ 4
					ANGULAR
					± 5°
					± 0.2
					± 0.3
					± 0.4
					± 0.5

REVISION	SHEET	WEIGHT	8
A0	1/1	1.0g	

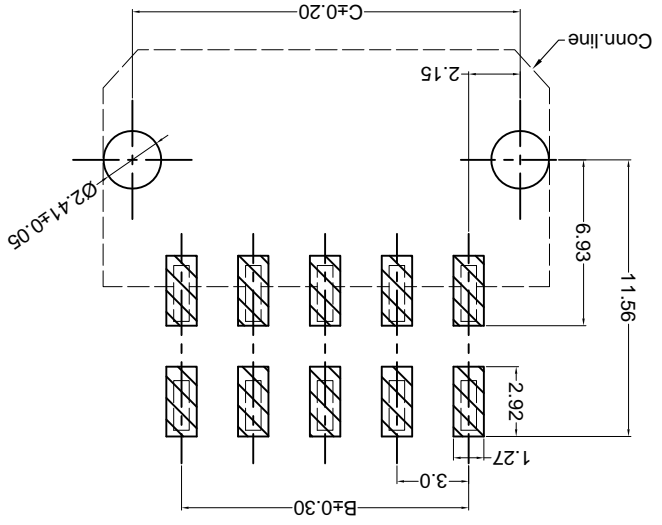
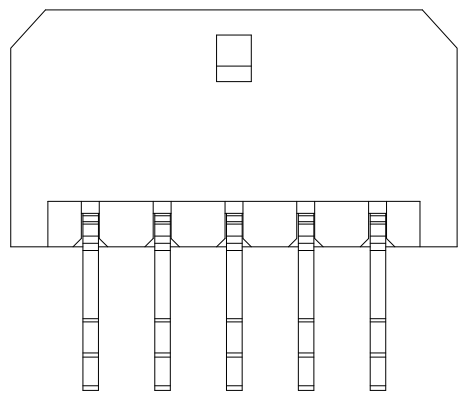
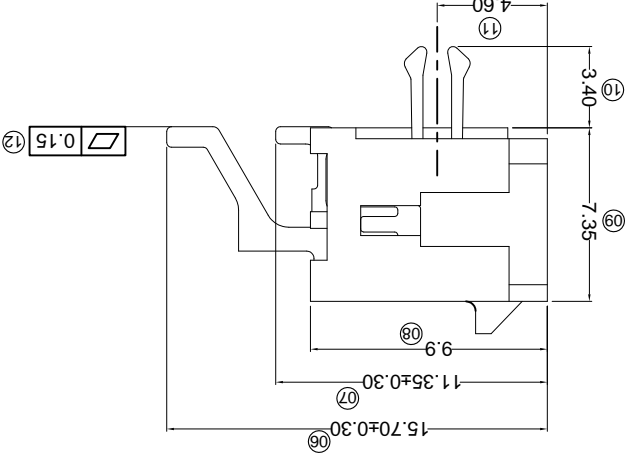
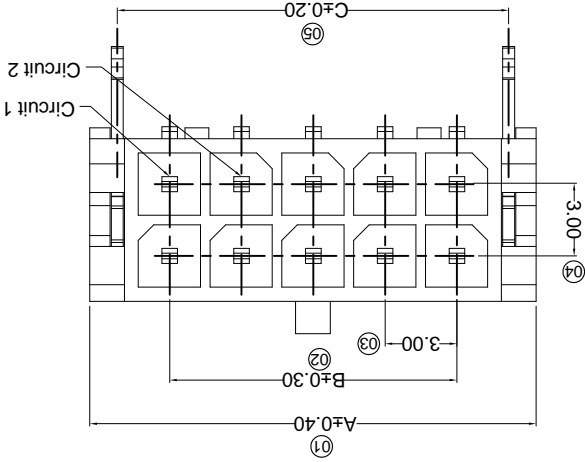
DATE	SCALE: N/A	MODEL TYPE: X3025WRS-2*XXC-XXXX	7

DATE	VIEW:	PART NO.: X3025WRS-2*XXC-XXXX	6

DATE	UNIT: mm	DWG NO.:	5

DATE	SIZE: A4	REVISION	4

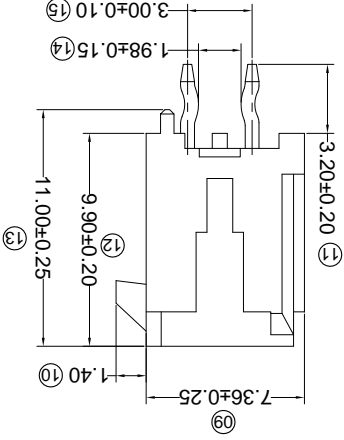
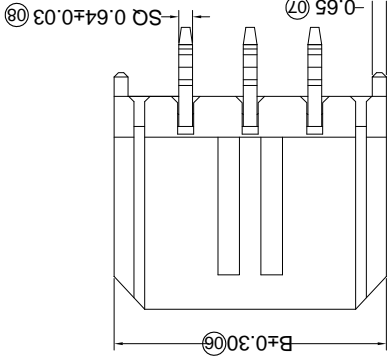
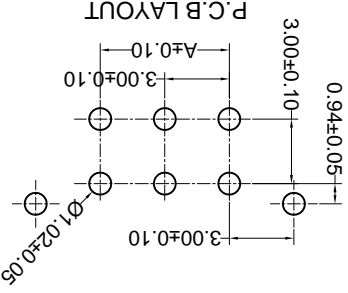
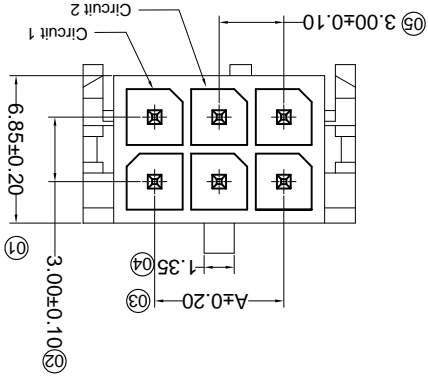
PART NO	Material	Material(Pin)	Finish(Pin)	(Solder Tabs)	(Solder Tabs)	Mates With XKB Housing
X3025WRS-2*XXC-LPSW	LCP UL 94V-0	Brass	Ni:50u"Min; Sn:120u"Min;	Brass	Finish Tabs	Mates With XKB Housing
X3025WRS-2*XXC-LPSN	LCP UL 94V-0				Tin-Plated	
X3025WRS-2*XXC-NOSN	PA66 UL 94V-0				Matte Tin Plating	



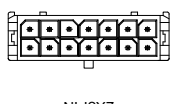
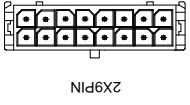
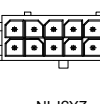
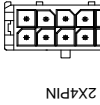
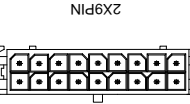
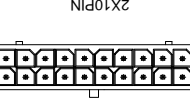
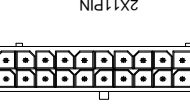
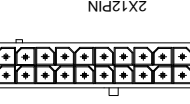
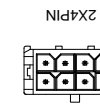
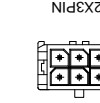
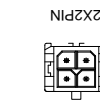
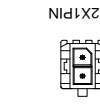
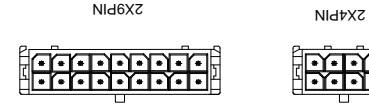
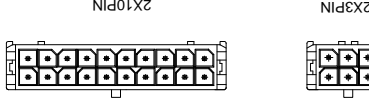
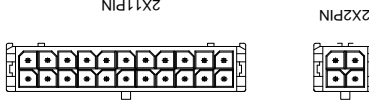
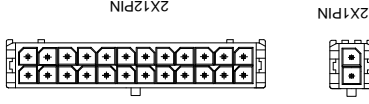
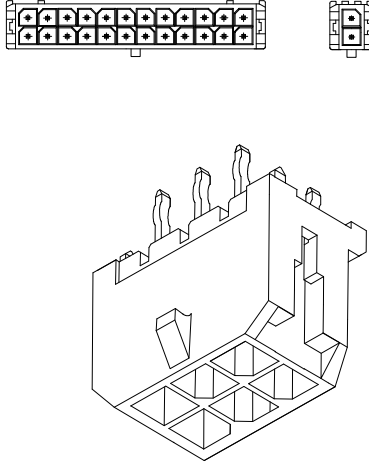
Poles	A	B	C
02	6.65	---	4.20
04	9.65	3.00	7.20
06	12.65	6.00	10.20
08	15.65	9.00	13.20
10	18.65	12.00	16.20
12	21.65	15.00	19.20
14	24.65	18.00	22.20
16	27.65	21.00	25.20
18	30.65	24.00	28.20
20	33.65	27.00	31.20
22	36.65	30.00	34.20
24	39.65	33.00	37.20

- **Specifications :**
- Voltage rating: 250V AC / DC
  - Current rating: 5A AC / DC
  - Withstanding voltage: 1000V AC/minute
  - Temperature range: -25°C~+85°C
  - Insulation resistance: ≥1000MΩ
  - Contact resistance: ≤10mΩ
  - After environmental testing: ≤20mΩ
- Series No. 01 02 03 04 05 06 07 08 09
- X3025 W R S-2\*XX C-XX XX XX
- Category: W-water
- Welding Board Angle: R-90°
- Welding Way: S-SMT
- Row No.-Pin No.: 2\*XX-Double row
- Special NO.: C-The harpoon
- Material: **LP-LCP 94V-0**
- NO-PA66 94V-0
- Planting Category: SN-Bright tin plating 70u"
- SW-Fog Tin plating
- Color: Blank-natural color





PART NO	Material	Material(Pin)	Finish(Pin)	Mates With Xkb Housing
X3025WV-2*XX-46V01	PA46 UL 94V-0	Brass	Tin-Plated	X3025H
X3025WV-2*XX-LP5N	LC P UL 94V-0			
X025WV-2*XX-66BN	PA66 UL 94V-0			
X3025WV-2*XX-46SN	PA46 UL 94V-0			
X3025WV-2*XX-PT5N	PBT UL 94V-0			



Poles	Dimensions (mm)		Poles	Dimensions (mm)	
	A	B		A	B
2*06	15.00	21.65	2*06	15.00	21.65
2*07	---	6.65	2*07	18.00	24.65
2*08	3.00	9.65	2*08	21.00	27.65
2*09	6.00	12.65	2*09	24.00	30.65
2*10	9.00	15.65	2*10	27.00	33.65
2*11	12.00	18.65	2*11	30.00	36.65
2*12	21.65	33.00	2*12	33.00	39.65

- Specifications :
- Voltage rating: 250V AC / DC
  - Current rating: 5A AC / DC
  - Withstanding voltage: 1000V AC/minute
  - Temperature range: -25°C~+85°C
  - Insulation resistance: ≥1000MΩ
  - Contact resistance: ≤10mΩ
  - After environmental testing: ≤20mΩ

① Series No.  
② Category: W-WAFER  
③ Welding Board Angle: V-Straight 180°  
④ Welding Way: Blank-DIP  
⑤ Row No.-Pin No.: 2\*XX-2\*01P~2\*22P  
⑥ Plug the Pin & Special No.:  
⑦ Material: 66-PA66 94V-0; PT-PBT 94V-0; 46-PA46 94V-0 LP-LCP 94V-0  
⑧ Plating Category: SN-Bright Tin Plating; V01-All Gold Flash  
⑨ Color: Blank-Natural Color

For and on behalf of

XKB INDUSTRIAL PRECISION CO., LIMITED

香港星坤工業精密有限公司

REVISIONS

Unauthorized Signature(s)

MARK	DESCRIPTION	DATE	REVISED	APPROVED	UNSPECIFIED TOLERANCES
△ X					L > 63 ±0.5
△ X					16 < L ≤ 63 ±0.4
△ X					4 < L ≤ 16 ±0.3
					L ≤ 4 ±0.2
					ANGULAR ±5°

DSND	DATE	SCALE: N/A	MODEL TYPE: X3025WV-2*XX-XXXX
DWN	DATE <td>VIEW: </td> <td>PART NO.:</td>	VIEW:	PART NO.:
CHKD	DATE <td>UNIT: mm</td> <td>DWG NO.:</td>	UNIT: mm	DWG NO.:
APPD	DATE <td>SIZE: A4</td> <td>REVISION</td>	SIZE: A4	REVISION
			WEIGHT 1.0g
			SHEET 1/1
			A0

XKB INDUSTRIAL PRECISION CO., LIMITED





REVISIONS  
*Authorized Signatures*

MARK	DESCRIPTION	DATE	REVISED	APPROVED	UNSPECIFIED TOLERANCES
△ X					L > 63
△ X					16 < L ≤ 63
△ X					4 < L ≤ 16
△ X					L ≤ 4
					ANGULAR
					± 5°

For and on behalf of  
**XKB INDUSTRIAL PRECISION CO., LIMITED**  
香港星坤工業精密有限公司

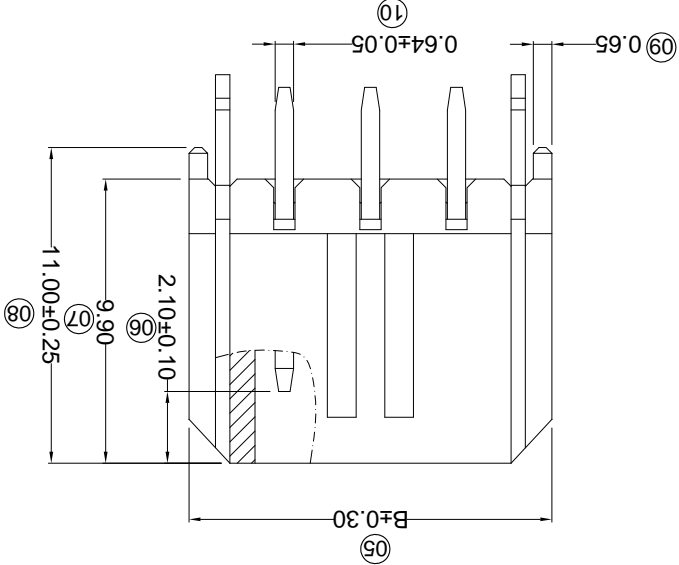
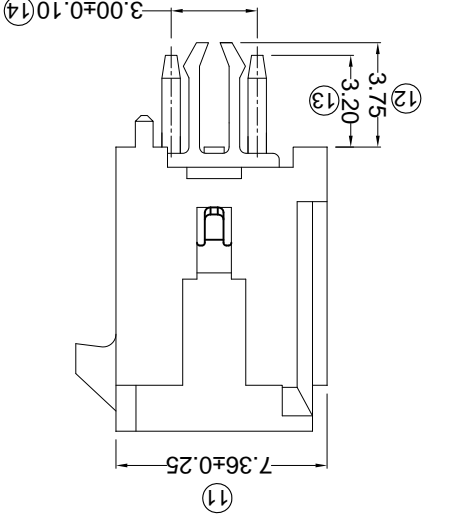
**XKB INDUSTRIAL PRECISION CO., LIMITED**

WEIGHT	1.0g
SHEET	1/1
REVISION	A0
DATE	
DATE	
DATE	
DATE	
SCALE: N/A	
MODEL TYPE: X3025WV-2*XXCN-LPSN	
PART NO.:	
3.00 mm Crimp Style Connectors	
DWG NO.:	
SIZE: A4	

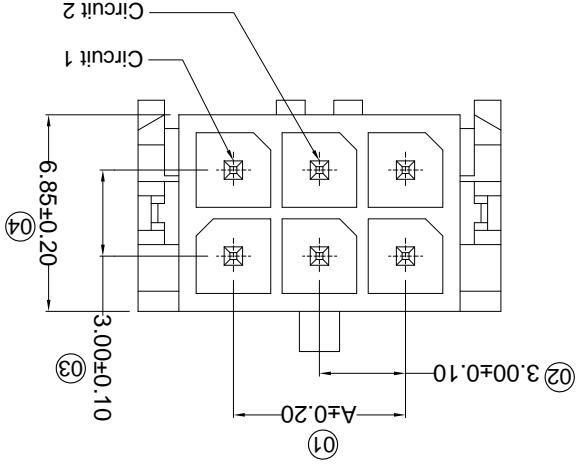
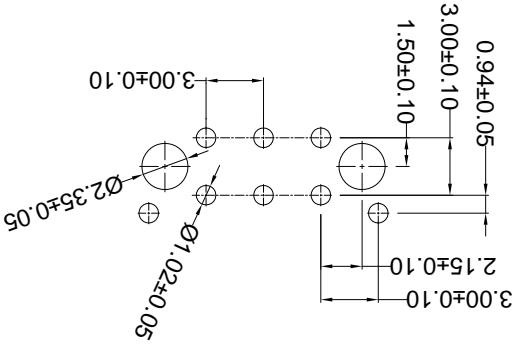
PART NO	Material	Material(Pin)	Finish(Pin)	Mates With XKB Housing
X3025WV-2*XXCN-LPSN	LCP UL 94V-0	Brass	Tin-Plated	X3025H

Poles	A	B
02	--	6.65
04	3.00	9.65
06	6.00	12.65
08	9.00	15.65
10	12.00	18.65
12	15.00	21.65
14	18.00	24.65
16	21.00	27.65
18	24.00	30.65
20	27.00	33.65
22	30.00	36.65
24	33.00	39.65

- X3025 W V X-2\*XX CN-LP SN XX
- ① Series No.  
② Category:  
W-water  
③ Welding Board Angle:  
V-180°  
④ Welding Way:  
Blank-DIP  
⑤ Row No.-Pin No.  
2\*XX-Double row  
⑥ Special NO.  
C-The harpoon N-without K the feet  
⑦ Material:  
LP-LCP 94V-0  
⑧ Plating Category:  
V\*\*All Gold-Plated  
\*01-Gold Flash ; \*02-2u" ; \*03-3u" ; \*05-5u"  
\*10-10u" ; \*15-15u" ; \*30-30u" ; \*50-50u"  
SN-Bright tin plating 70u"  
SN1-Bright tin plating 120u" Min. ;  
SW-Fog Tin plating  
⑨ Color:  
Blank-natural color



P.C.B LAYOUT



- Specifications :
- Voltage rating: 250V AC / DC
  - Current rating: 5A AC / DC
  - Withstanding voltage: 1000V AC/minute
  - Temperature range: -25°C~+85°C
  - Insulation resistance: ≥1000MΩ
  - Contact resistance: ≤10mΩ
  - After environmental testing: ≤20mΩ

For and on behalf of  
**KXB INDUSTRIAL PRECISION CO., LIMITED**  
 香港星坤工業精密有限公司

MARK	DESCRIPTION	DATE	REVISIONS	APPROVED	REVISOR	DATE	UNSPECIFIED TOLERANCES
△ X							L > 63 ± 0.5
△ X							16 < L ≤ 63 ± 0.4
△ X							4 < L ≤ 16 ± 0.3
△ X							L ≤ 4 ± 0.2
							ANGULAR ± 5°

REVISION	SHEET	WEIGHT	DATE	DATE	DATE	DATE	DATE
A0	1/1	1.0g					

**KXB INDUSTRIAL PRECISION CO., LIMITED**

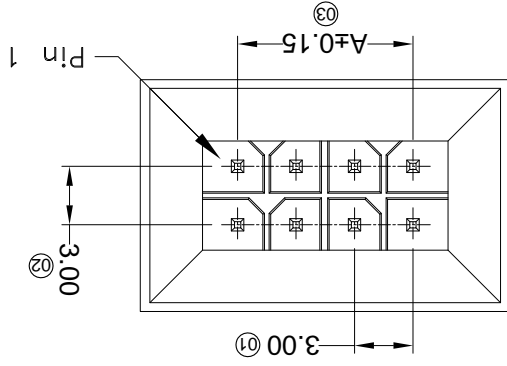
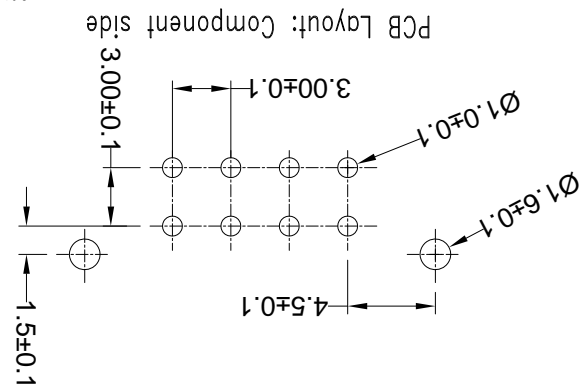
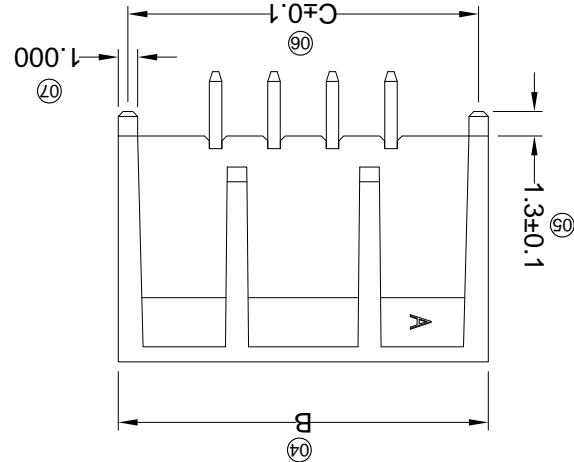
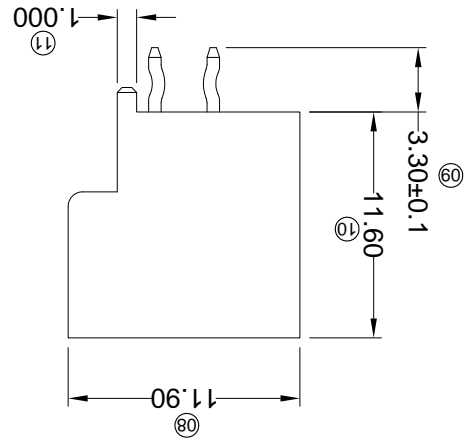
APPD	SIZE: A4	UNIT: mm	VIEW:	SCALE: N/A
CHKD	DATE	DATE	DATE	DATE
DWN	DATE	DATE	DATE	DATE
DSND	DATE	DATE	DATE	DATE

MODEL TYPE: X3025WV-2\*XXH-LPSN  
 PART NO.: X3025WV-2\*XXH-LPSN  
 DWG NO.: 800 mm Crimp Style Connectors

Part No.	Material	Material(Pin)	Finish(Pin)	Tin-Plated	Mates With XKB Housing
X3025WV-2*XXH-LPSN	LCP UL 94V-0	Brass			X3025H

Poles	A	B	C
04	3.00	13.00	12.00
06	6.00	16.00	15.00
08	9.00	19.00	18.00
10	12.00	22.00	21.00
12	15.00	25.00	24.00
14	18.00	28.00	27.00
16	21.00	31.00	30.00
18	24.00	34.00	33.00
20	27.00	37.00	36.00
22	30.00	40.00	39.00
24	33.00	43.00	42.00

- ① Series No.
- ② Category: W-water
- ③ Welding Board Angle: V-180°
- ④ Welding Way: Blank-DIP
- ⑤ Row No.-Pin No.
- ⑥ 2\*XX-Double row
- ⑦ Special NO.
- ⑧ H-Arrange ushering with positioning column
- ⑦ Material: LP-LCP 94V-0
- ⑧ Planting Category: V\*\*All Gold-Plated
- ⑧ G\*\*Gold-Plated Contact
- ⑧ \*01-Gold Flash ; \*02-2u" ; \*03-3u" ; \*05-5u"
- ⑧ \*10-10u" ; \*15-15u" ; \*30-30u" ; \*50-50u"
- ⑧ SN-Bright tin plating 70u"
- ⑧ SN1-Bright tin plating 120u"Min. ;
- ⑧ SW-Fog Tin plating
- ⑧ Color: Blank-natural color



- Specifications :**
- Voltage rating: 250V AC / DC
  - Current rating: 5A AC / DC
  - Withstanding voltage: 1000V AC/minute
  - Temperature range: -25°C~+85°C
  - Insulation resistance: ≥1000MΩ
  - Contact resistance: ≤10mΩ
  - After environmental testing: ≤20mΩ

X3025W V X-2\*XXH-LPSNXX  
 ① ② ③ ④ ⑤ ⑥ ⑦ ⑧ ⑨

REVISIONS  
 (Authorized Signatures)

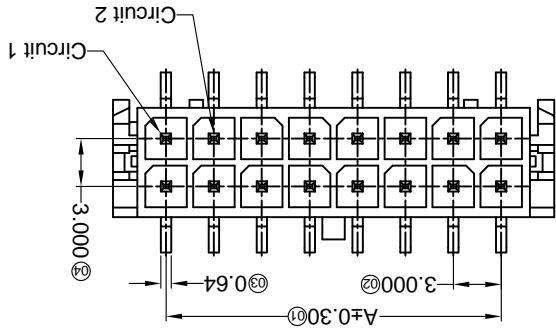
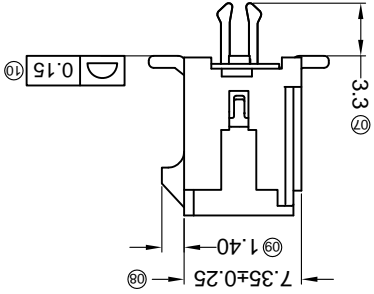
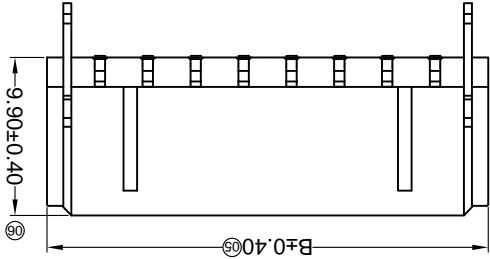
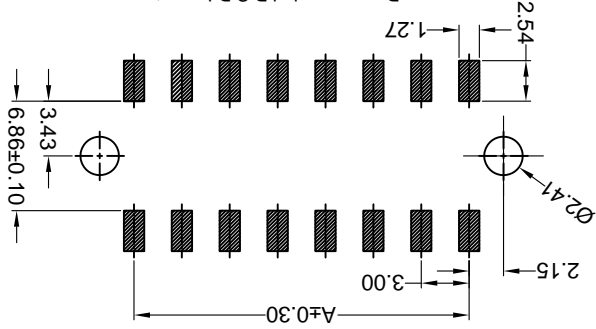
MARK	DESCRIPTION	DATE	REVISED	APPROVED	UNSPECIFIED TOLERANCES
△ X					L > 63
△ X					16 < L ≤ 63
△ X					4 < L ≤ 16
△ X					L ≤ 4
					ANGULAR
					± 5°

For and on behalf of  
**XKB INDUSTRIAL PRECISION CO., LIMITED**  
 香港星坤工業精密有限公司

**XKB INDUSTRIAL PRECISION CO., LIMITED**

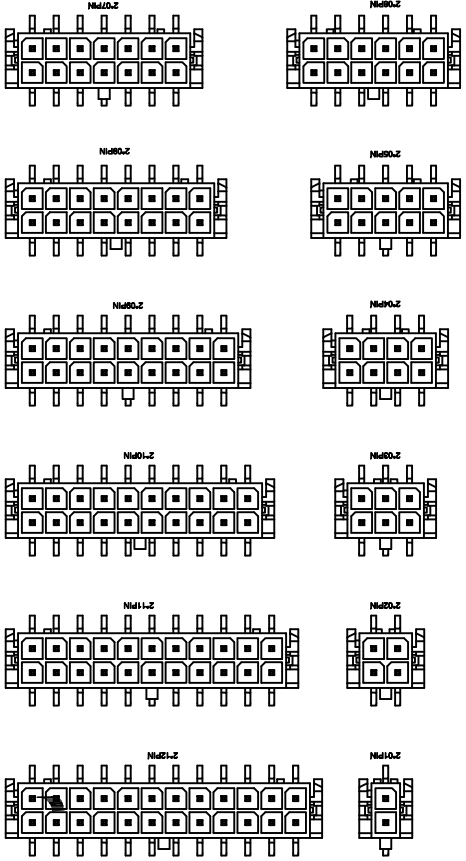
WEIGHT	1.0g
SHEET	1/1
REVISION	A0
SIZE:	A4
DATE:	
UNIT:	mm
VIEW:	
SCALE:	N/A
MODEL TYPE:	X3025WVS-2*XXC-LPXX
PART NO.:	
3.00 mm Crimp Style Connectors	
DWG NO.:	

Recommended P.C.B Layout  
 General Tolerance±0.05



PART NO	Material	Material (Pn)	Finish (Pn)	Material (Pn)	Material (Pn)	Material (Pn)	Material (Pn)
X3025WVS-2*XXC-LPXX	LCP UL 94V-0	Brass	Tin-Plated	Brass	Tin-Plated	Brass	Tin-Plated
X3025WVS-2*XXC-LPXX	LCP UL 94V-0	Brass	Tin-Plated	Brass	Tin-Plated	Brass	Tin-Plated

Poles	Dimensions(mm)	Dimensions(mm)
2*01	---	6.65
2*02	3.00	9.65
2*03	6.00	12.65
2*04	9.00	15.65
2*05	12.00	18.65
2*06	15.00	21.65
2*07	18.00	24.65
2*08	21.00	27.65
2*09	24.00	30.65
2*10	27.00	33.65
2*11	30.00	36.65
2*12	33.00	39.65



- ① Series No.  
 ② Category: W-water  
 ③ Welding Board Angle: V- Straight 180°  
 ④ Welding Way: S-SMT  
 ⑤ Row No-Pin No.: 2\*XX-2\*01P~2\*12P  
 ⑥ Plug the Pin & Special No.: C-The Harpoon  
 ⑦ Material: LP-LCP 94V-0  
 ⑧ Plating Category:  
 ⑨ SN-Bright tin plating : SW-Matte Tin plating  
 ⑩ Color: Blank-Natural color

- X3025 W V S-2\*XX C-LP XX XX  
 ① ② ③ ④ ⑤ ⑥ ⑦ ⑧ ⑨ ⑩
- Specifications :
- Voltage rating: 250V AC / DC
  - Current rating: 5A AC / DC
  - Withstanding voltage: 1000V AC/minute
  - Temperature range: -25°C~+85°C
  - Insulation resistance: ≥1000MΩ
  - Contact resistance: ≤10mΩ
  - After environmental testing: ≤20mΩ

For and on behalf of  
**KXB INDUSTRIAL PRECISION CO., LIMITED**  
 香港星坤工業精密有限公司

MARK	DESCRIPTION	DATE	REVISED	APPROVED	UNSPECIFIED TOLERANCES
△ X					L > 63
△ X					16 < L ≤ 63
△ X					4 < L ≤ 16
					L ≤ 4
					ANGULAR
					± 5°

REVISIONS	DATE	REVISED	APPROVED	UNSPECIFIED TOLERANCES
				L > 63
				16 < L ≤ 63
				4 < L ≤ 16
				L ≤ 4
				ANGULAR
				± 5°

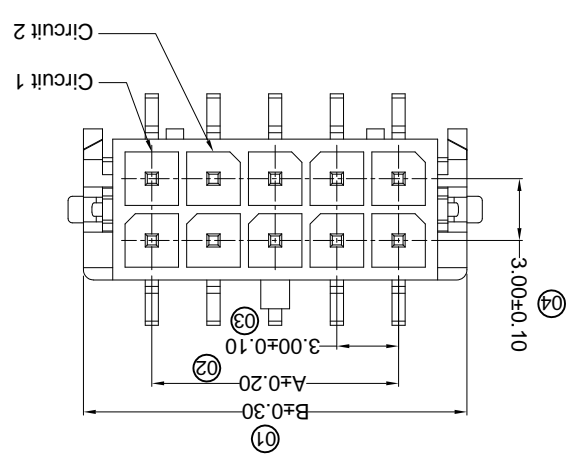
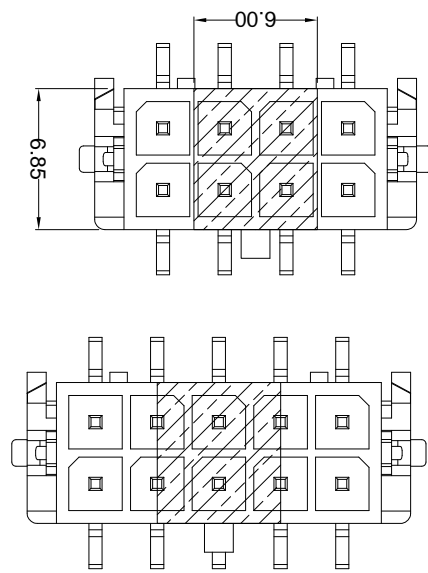
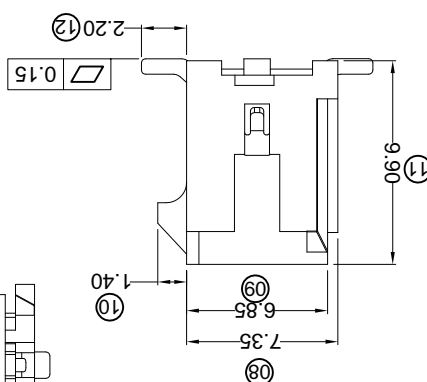
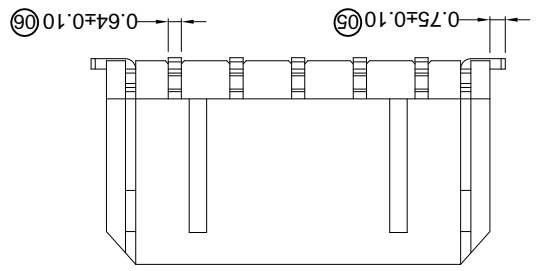
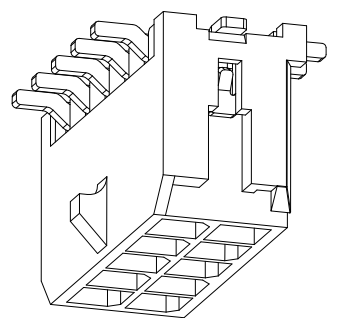
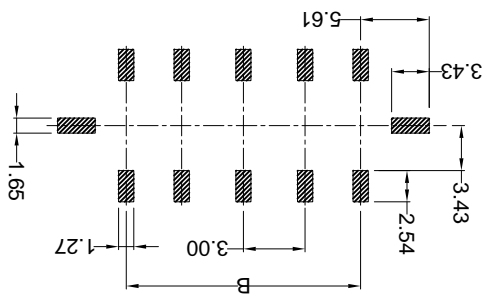
DATE	SCALE: N/A	MODEL TYPE: X3025WVS-2*XXD-LPSW
DNSD	VIEW:	PART NO.: 3.00 mm Crimp Style Connectors
DWN	UNIT: mm	DWG NO.:
CHKD	DATE	SIZE: A4
APPD	DATE	REVISION

PART NO	Material	Material(Pin)	Finish(Pin)	(Solder Tabs) Material	(Solder Tabs) Finish	Mates With XKB Housing
X3025WVS-2*XXD-LPSW	LCP UL 94V-0	Brass	Matte tin	Brass	Matte tin	X3025H

Poles	Dimensions(mm)	Dimensions(mm)	Poles	Dimensions(mm)
2*01	---	6.65	2*07	18.00
2*02	3.00	9.65	2*08	21.00
2*03	6.00	12.65	2*09	24.00
2*04	9.00	15.65	2*10	27.00
2*05	12.00	18.65	2*11	30.00
2*06	15.00	21.65	2*12	33.00
				36.65
				39.65

P.C.B. LAYOUT



- ① Series No.
- ② Category: W-water
- ③ Weiding Board Angle: V- Stright 180°
- ④ Weiding Way: S-SMT
- ⑤ Row No.-Pin No.: 2\*XX-2\*01P-2\*12P
- ⑥ Plug the Pin & Special No.: D-Solder Tabs
- ⑦ Material: LP-LCP 94V-0
- ⑧ Planting Category:
- ⑨ SN-Bright tin plating ; SW-Matte Tin plating
- ⑩ Color: Blank-Natural color

- Specifications :
- Voltage rating: 250V AC / DC
  - Current rating: 5A AC / DC
  - Withstanding voltage: 1000V AC/minute
  - Temperature range: -25°C~+85°C
  - Insulation resistance: ≥1000MΩ
  - Contact resistance: ≤10mΩ
  - After environmental testing: ≤20mΩ

X3025 W V S-2\*XX D-LP XX XX  
 ①②③④⑤⑥⑦⑧⑨⑩

## X-ON Electronics

Largest Supplier of Electrical and Electronic Components

*Click to view similar products for [Headers & Wire Housings](#) category:*

*Click to view products by [XKB](#) manufacturer:*

Other Similar products are found below :

[95000-104TRLF](#) [10135584-644402LF](#) [DF62W-EP2022PCA](#) [95000-106TRLF](#) [DF62W-2022SCA](#) [DF62W-EP2022PC](#) [2203348](#) [DF62W-2022SC](#) [1084018](#) [1029039](#) [1084017](#) [802-10-012-10-002000](#) [1112640](#) [1112639](#) [891-007-9SS-BST1T](#) [000-34000](#) [0008550134](#) [0009482033](#) [0009507031](#) [57102-F02-18ULF](#) [57102-S06-03LF](#) [57202-S52-04LF](#) [PCN6-15S-2.5E](#) [0039019024](#) [58102-G61-06LF](#) [582553-1](#) [0009485154](#) [0009508121](#) [0022285053](#) [0050291907](#) [018731A](#) [LY20-4P-DT1-P1E-BR](#) [02.125.8002.8](#) [60101931](#) [60598-1 \(Cut Strip\)](#) [M1625-3R/100](#) [61062-3](#) [61082-181009](#) [CSU011177004](#) [636-1427](#) [638009-1](#) [641938-9](#) [641991-4](#) [644168-1](#) [644827-2](#) [647662-1](#) [65039-019ELF](#) [65692-001LF](#) [65781-018](#) [65781-047](#)