

For and on behalf of
XKB INDUSTRIAL PRECISION CO., LIMITED
 香港星坤工業精密有限公司

Authorized Signature(s)

MARK	DESCRIPTION	DATE	REVISED	APPROVED	UNSPECIFIED TOLERANCES
△ X					L > 63 ±0.5
△ X					16 < L ≤ 63 ±0.4
△ X					4 < L ≤ 16 ±0.3
					L ≤ 4 ±0.2
					ANGULAR ±5°

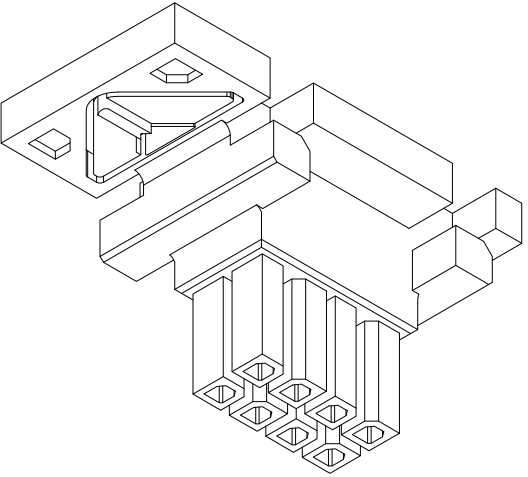
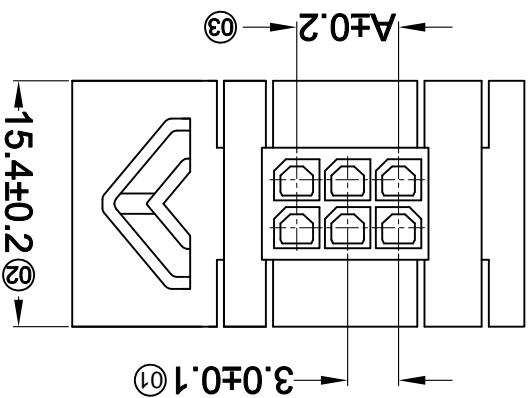
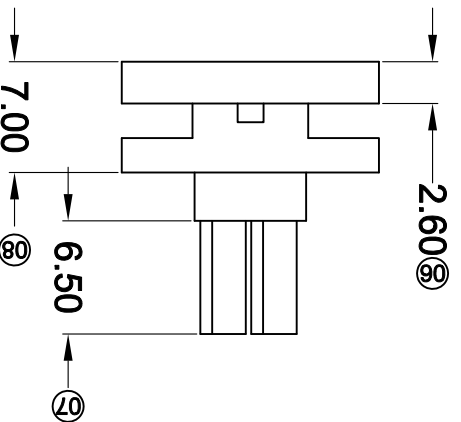
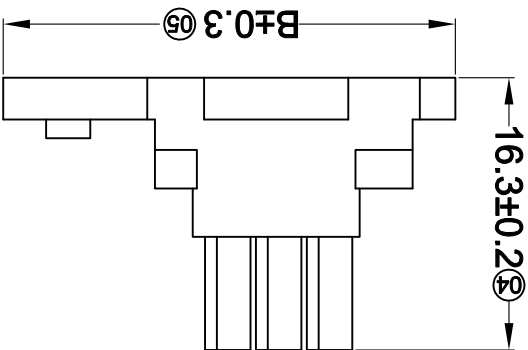
REVISION	SHEET	WEIGHT	SIZE	DATE	DATE	DATE	DATE
A0	1/1	1.0g	A4				

XKB INDUSTRIAL PRECISION CO., LIMITED

APPD	CHKD	DWN	DSND

UNIT	VIEW	SCALE
mm	VIEW:	N/A

MODEL TYPE: X3025HF-2*XXWS-N2
 PART NO.:
 3.00 mm Crimp Style Connectors
 DWG NO.:



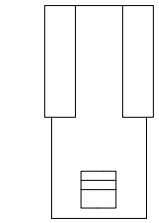
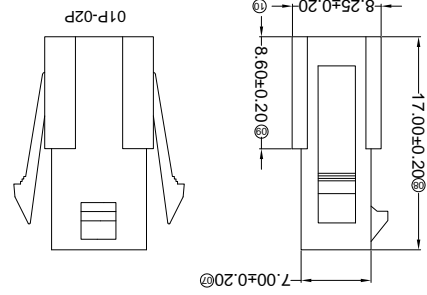
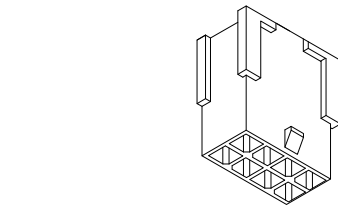
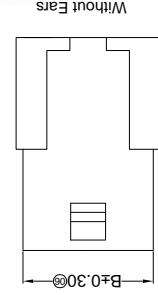
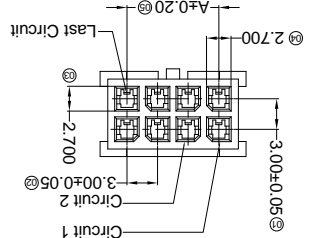
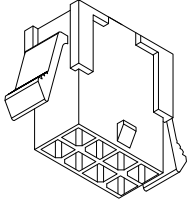
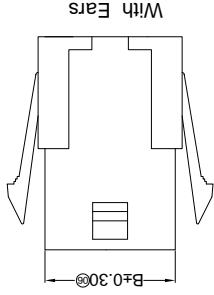
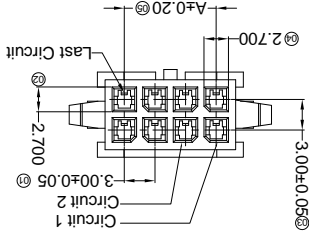
Poles	Dimensions(mm)	
	A	B
2*02	3.00	24.85
2*03	6.00	27.85
2*04	9.00	30.85
2*05	12.00	33.85
2*06	15.00	36.85
2*07	18.00	39.85

- ① Series No.
- ② Category: H-HSG
- ③ Welding Board Angle: F-Female HSG
- ④ Row No.-Pin No.: 2*XX-2*02P~2*12P
- ⑤ Plug the Pin & special No.: WS-With Base
- ⑥ Material: N2-PA66 94V-2;
- ⑦ Color: Blank-natural color

X3025 H F-2*XX WS-N2 XX

- Specifications :
- Voltage rating: 250V AC / DC
 - Current rating: 5A AC / DC
 - Withstanding voltage: 1500V AC/minute
 - Temperature range: -25°C~+85°C
 - Insulation resistance: ≥1000MΩ
 - Contact resistance: ≤10mΩ
 - After environmental testing: ≤17mΩ

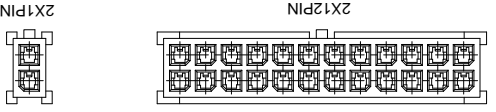
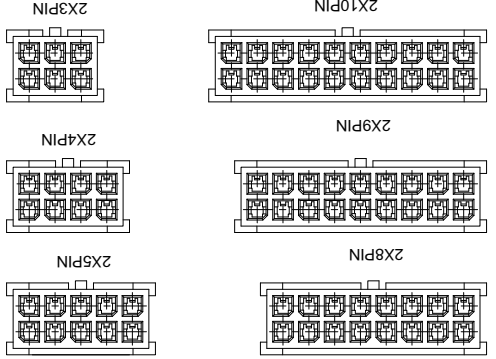
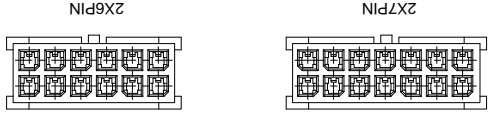
RoHS
Lead-free



REVISIONS
(Unauthorized Signature(s))

MARK	DESCRIPTION	DATE	REVISED	APPROVED	UNSPECIFIED TOLERANCES
△ X					L > 63 ±0.5
△ X					16 < L ≤ 63 ±0.4
△ X					4 < L ≤ 16 ±0.3
△ X					L ≤ 4 ±0.2
					ANGULAR ±5°

For and on behalf of
XKB INDUSTRIAL PRECISION CO., LIMITED
香港星坤工業精密有限公司



PART NO	Material	Suitable SWB Terminal	Mates With XKB Housing	Note
X3025HF-2*XXG-N2	Nylon 66 94V-2	X3025TM	X3025HM	With Ears
X3025HF-2*XXI-N2	Nylon 66 94V-2	X3025TM	X3025HM	Without Ears

Poles	Dimensions(mm)		Poles	Dimensions(mm)	
	A	B		A	B
2*01	18.00	22.00	2*07	4.00	2.00
2*02	3.00	7.00	2*08	7.00	2.00
2*03	6.00	10.00	2*09	10.00	2.00
2*04	9.00	13.00	2*10	13.00	2.00
2*05	12.00	16.00	2*11	16.00	2.00
2*06	15.00	19.00	2*12	19.00	2.00
2*07	18.00	22.00	2*13	22.00	2.00
2*08	21.00	25.00	2*14	25.00	2.00
2*09	24.00	28.00	2*15	28.00	2.00
2*10	27.00	31.00	2*16	31.00	2.00
2*11	30.00	34.00	2*17	34.00	2.00
2*12	33.00	37.00	2*18	37.00	2.00

- ① Series No.
② Category: H-HSG
③ Welding Board Angle: F-Female HSG
④ Row No.-Pin No.: 2*XX-2*01P-2*12P
⑤ Plug the Pin & special No.: I-Without Ears
G-With Ears
⑥ Material: N2-PA66 94V-2;
⑦ Color: Blank-Natural Color

- Specifications:
• Voltage rating: 250V AC / DC
• Current rating: 5A AC / DC
• Withstanding voltage: 1000V AC/minute
• Temperature range: -25°C~+85°C
• Insulation resistance: ≥1000MΩ
• Contact resistance: ≤10mΩ
• After environmental testing: ≤20mΩ

DSND	DATE	SCALE: N/A	MODEL TYPE: X3025HF-2*XXX-N2
DWN	DATE <td>VIEW: </td> <td>PART NO.:</td>	VIEW:	PART NO.:
CHKD	DATE <td>UNIT: mm</td> <td>3.00 mm Crimp Style Connectors</td>	UNIT: mm	3.00 mm Crimp Style Connectors
APPD	DATE <td>SIZE: A4</td> <td>DWG NO.:</td>	SIZE: A4	DWG NO.:

WEIGHT	SHEET	REVISION
1.0g	1/1	A0

For and on behalf of
XKB INDUSTRIAL PRECISION CO., LIMITED
 香港星坤工業精密有限公司

MARK	DESCRIPTION	DATE	REVISIONS	UNSPECIFIED TOLERANCES
△ X				L > 63 ±0.5
△ X				16 > L ≤ 63 ±0.4
△ X				4 < L ≤ 16 ±0.3
				L ≤ 4 ±0.2
				ANGULAR ±5°

REVISIONS	DATE	APPROVED	REVISED	UNSPECIFIED TOLERANCES
				L > 63 ±0.5
				16 > L ≤ 63 ±0.4
				4 < L ≤ 16 ±0.3
				L ≤ 4 ±0.2
				ANGULAR ±5°

DATE	SCALE: N/A	MODEL TYPE: X3025HM-2*XXWS-N2	VIEW:	DATE	DATE	DATE	DATE

DATE	SCALE: N/A	MODEL TYPE: X3025HM-2*XXWS-N2	VIEW:	DATE	DATE	DATE	DATE

DATE	SCALE: N/A	MODEL TYPE: X3025HM-2*XXWS-N2	VIEW:	DATE	DATE	DATE	DATE

DATE	SCALE: N/A	MODEL TYPE: X3025HM-2*XXWS-N2	VIEW:	DATE	DATE	DATE	DATE

DATE	SCALE: N/A	MODEL TYPE: X3025HM-2*XXWS-N2	VIEW:	DATE	DATE	DATE	DATE

DATE	SCALE: N/A	MODEL TYPE: X3025HM-2*XXWS-N2	VIEW:	DATE	DATE	DATE	DATE

DATE	SCALE: N/A	MODEL TYPE: X3025HM-2*XXWS-N2	VIEW:	DATE	DATE	DATE	DATE

DATE	SCALE: N/A	MODEL TYPE: X3025HM-2*XXWS-N2	VIEW:	DATE	DATE	DATE	DATE

DATE	SCALE: N/A	MODEL TYPE: X3025HM-2*XXWS-N2	VIEW:	DATE	DATE	DATE	DATE

DATE	SCALE: N/A	MODEL TYPE: X3025HM-2*XXWS-N2	VIEW:	DATE	DATE	DATE	DATE

DATE	SCALE: N/A	MODEL TYPE: X3025HM-2*XXWS-N2	VIEW:	DATE	DATE	DATE	DATE

DATE	SCALE: N/A	MODEL TYPE: X3025HM-2*XXWS-N2	VIEW:	DATE	DATE	DATE	DATE

DATE	SCALE: N/A	MODEL TYPE: X3025HM-2*XXWS-N2	VIEW:	DATE	DATE	DATE	DATE

DATE	SCALE: N/A	MODEL TYPE: X3025HM-2*XXWS-N2	VIEW:	DATE	DATE	DATE	DATE

DATE	SCALE: N/A	MODEL TYPE: X3025HM-2*XXWS-N2	VIEW:	DATE	DATE	DATE	DATE

DATE	SCALE: N/A	MODEL TYPE: X3025HM-2*XXWS-N2	VIEW:	DATE	DATE	DATE	DATE

DATE	SCALE: N/A	MODEL TYPE: X3025HM-2*XXWS-N2	VIEW:	DATE	DATE	DATE	DATE

DATE	SCALE: N/A	MODEL TYPE: X3025HM-2*XXWS-N2	VIEW:	DATE	DATE	DATE	DATE

DATE	SCALE: N/A	MODEL TYPE: X3025HM-2*XXWS-N2	VIEW:	DATE	DATE	DATE	DATE

DATE	SCALE: N/A	MODEL TYPE: X3025HM-2*XXWS-N2	VIEW:	DATE	DATE	DATE	DATE

DATE	SCALE: N/A	MODEL TYPE: X3025HM-2*XXWS-N2	VIEW:	DATE	DATE	DATE	DATE

DATE	SCALE: N/A	MODEL TYPE: X3025HM-2*XXWS-N2	VIEW:	DATE	DATE	DATE	DATE

DATE	SCALE: N/A	MODEL TYPE: X3025HM-2*XXWS-N2	VIEW:	DATE	DATE	DATE	DATE

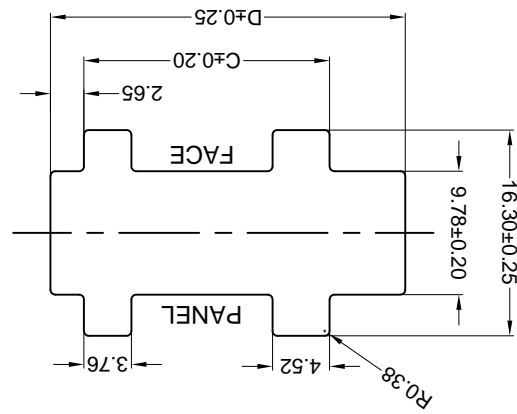
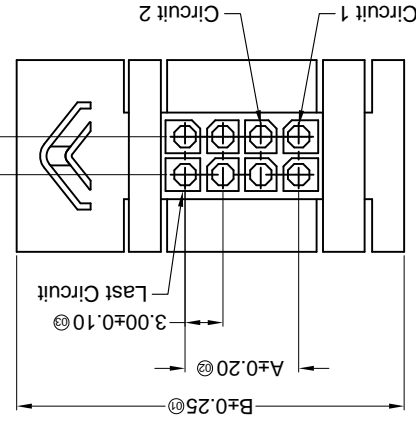
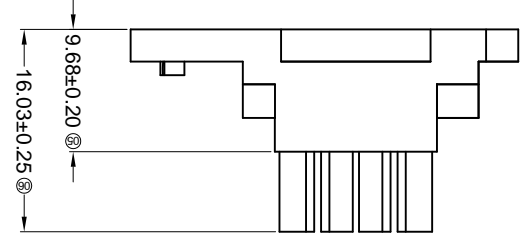
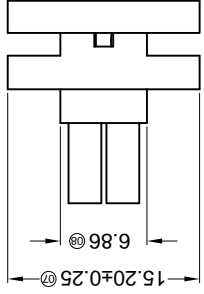
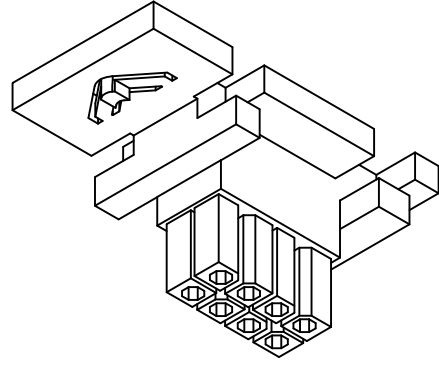
PART NO	Material	Suitable SWB Terminal	Mates With XKB Wafer
X3025HM-2*XXWS-N2	Nylon 66 94V-2	X3025TF	X3025W

Poles	Dimensions(mm)	
	A	B
2*02	3.00	24.60
2*03	6.00	27.70
2*04	9.00	30.70
2*05	12.00	33.80
2*06	15.00	36.80
2*07	18.00	39.90
2*08	21.00	42.90
2*09	24.00	46.00
2*10	27.00	49.00
2*11	30.00	51.80
2*12	33.00	54.90

- ① Series No.
- ② Category: H-HSG
- ③ Welding Board Angle: M-Male HSG
- ④ Row No.-Pin No.: 2*XX-2*02P~2*10P
- ⑤ Plug the Pin & special No.: WS-With Base
- ⑥ Material: N2-PA66 94V-2;
- ⑦ Color: Blank-natural color Black

X3025 H M-2*XX WS-N2 XX

- Specifications :
- Voltage rating: 250V AC / DC
- Current rating: 5A AC / DC
- Withstanding voltage: 1500V AC/minute
- Temperature range: -25°C~+85°C
- Insulation resistance: ≥1000MΩ
- Contact resistance: ≤10mΩ
- After environmental testing: ≤20mΩ



PANEL OPENING
 RECOMMENDED PANEL THICKNESS
 1.57/1.27

REVISIONS
Authorized Signatures(s)

MARK	DESCRIPTION	DATE	REVISED	APPROVED	UNSPECIFIED TOLERANCES
△ X					L > 63
△ X					16 < L ≤ 63
△ X					4 < L ≤ 16
					L ≤ 4
					ANGULAR

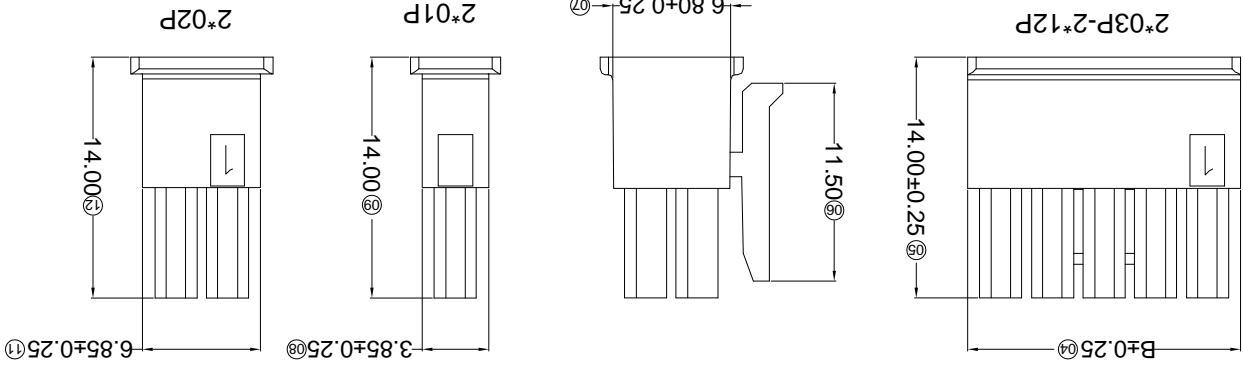
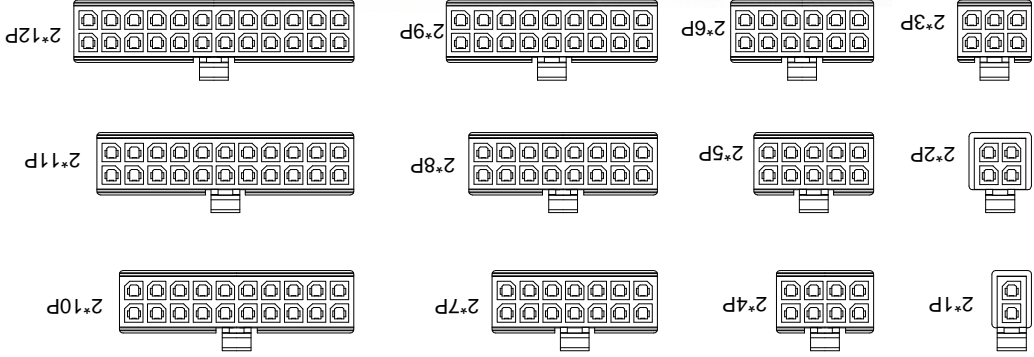
For and on behalf of
KXB INDUSTRIAL PRECISION CO., LIMITED
香港星坤工業精密有限公司

KXB INDUSTRIAL PRECISION CO., LIMITED

MODEL TYPE:	X3025HM-2*XX-N2
PART NO.:	X3025HM-2*XX-N2
DATE	
VIEW:	VIEW: ⑦
SCALE: N/A	
DATE	
SIZE: A4	
WEIGHT	1.0g
SHEET	1/1
REVISION	A0

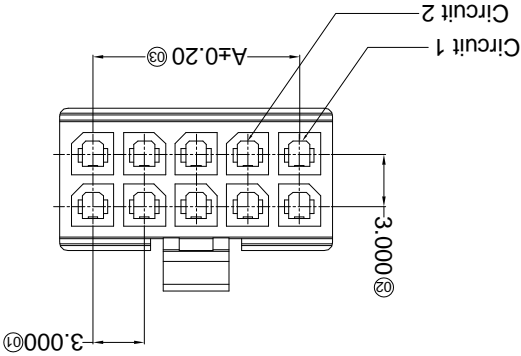
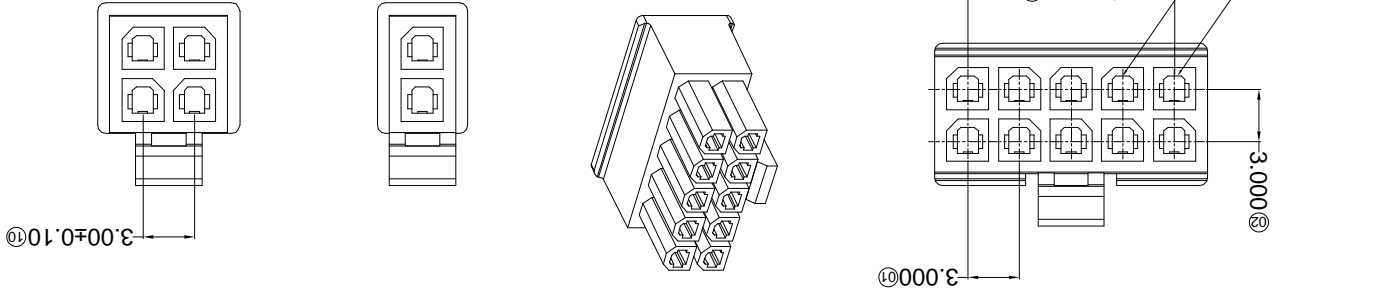
PART NO	X3025HM-2*XX-N2	Material	Nylon 66 94V-2
	X3025TF	Suitable SWB Terminal	
	X3025W	Mates With XKB Water	

Poles	Dimensions(mm)		Poles	Dimensions(mm)	
	A	B		A	B
2*01	2*07	18.00	2*01	2*07	21.85
2*02	3.00	24.00	2*02	2*08	24.85
2*03	6.00	27.85	2*03	2*09	27.85
2*04	9.00	30.85	2*04	2*10	30.85
2*05	12.00	33.85	2*05	2*11	33.85
2*06	15.00	36.85	2*06	2*12	36.85



① Series No.
② Category: H-HSG
③ Welding Board Angle: M-Male HSG
④ Row No.-Pin No.: 2*XX-2*01P~2*12P
⑤ Plug the Pin & special No.:
⑥ Material: N2-PA66 94V-2;
⑦ Color: Blank-Natural Color

- Specifications:
- Voltage rating: 250V AC / DC
 - Current rating: 5A AC / DC
 - Withstanding voltage: 1000V AC/minute
 - Temperature range: -25°C~+85°C
 - Insulation resistance: ≥1000MΩ
 - Contact resistance: ≤10mΩ
 - After environmental testing: ≤20mΩ



X3025 H M-2*XX XX-N2 XX

① ② ③ ④ ⑤ ⑥ ⑦

REVISIONS
Authorized Signature(s)

MARK	DESCRIPTION	DATE	REVISED	APPROVED	UNSPECIFIED TOLERANCES
△ X					L > 63 ± 0.5
△ X					16 < L ≤ 63 ± 0.4
△ X					4 < L ≤ 16 ± 0.3
△ X					L ≤ 4 ± 0.2
					ANGULAR ± 5°

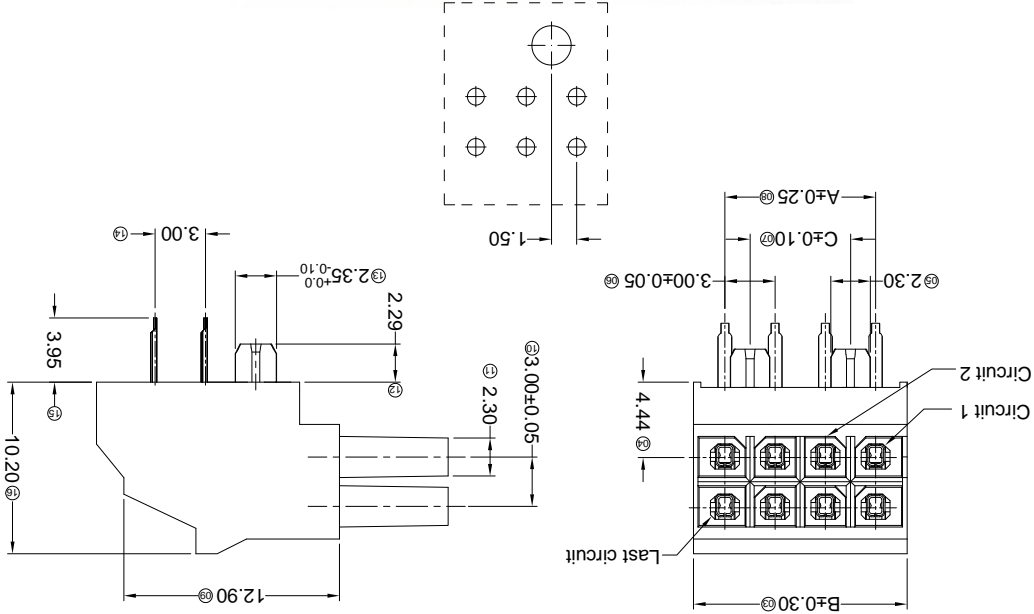
For and on behalf of
KKB INDUSTRIAL PRECISION CO., LIMITED
香港星坤工業精密有限公司

KKB INDUSTRIAL PRECISION CO., LIMITED

WEIGHT	1.0g	REVISION	A0
SHEET	1/1		
SIZE:	A4	DATE	
UNIT:	mm	DATE	
VIEW:		DATE	
SCALE:	N/A	DATE	
MODEL TYPE:	X3025HR-2*XX-LPSN		
PART NO.:			
3.00 mm Crimp Style Connectors			
DWG NO.:			

Part No.	Material	Material(Pin)	Finish(Pin)	Mates With KKB Housing
X3025HR-2*XX-LPSN	LCP UL 94V-0	Brass	Tin-Plated	X3025HW or 3025H

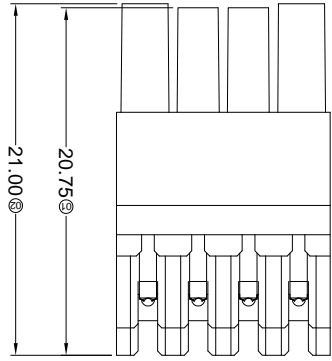
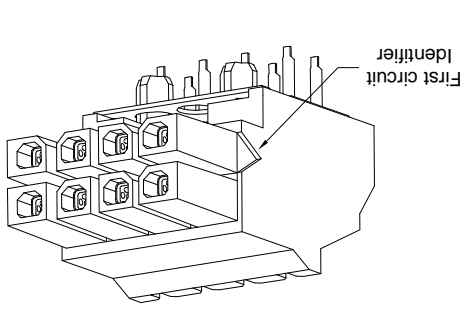
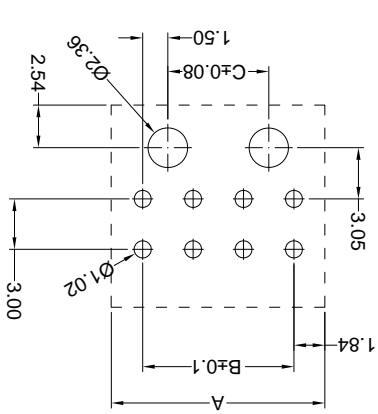
Poles	Dimensions(mm)		
	A	B	C
2'02	3.00	6.70	2'08
2'03	6.00	9.70	2'09
2'04	9.00	12.70	2'10
2'05	12.00	15.70	2'11
2'06	15.00	18.70	2'12
2'07	18.00	21.70	15.00



- ① Series No.
- ② Category: H-HSG
- ③ Welding Board Angle: BOARD-IN-R-90°
- ④ Row No.-Pin No.: 2*XX-2*02P~2*12P
- ⑤ Plug the Pin & special No.:
- ⑥ Material: LP-LCP 94V-0;
- ⑦ Plating Category: SN-Bright tin plating
- ⑧ Color: Blank-Natural Color

X3025 H R-2*XX LP SN XX
① ② ③ ④ ⑤ ⑥ ⑦ ⑧

- Specifications :
- Voltage rating: 250V AC / DC
 - Current rating: 5A AC / DC
 - Withstanding voltage: 1000V AC/minute
 - Temperature range: -25°C~+85°C
 - Insulation resistance: ≥1000MΩ
 - Contact resistance: ≤10mΩ
 - After environmental testing: ≤20mΩ



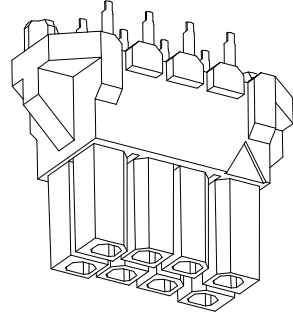
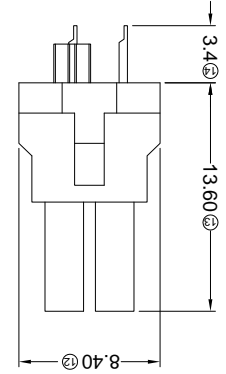
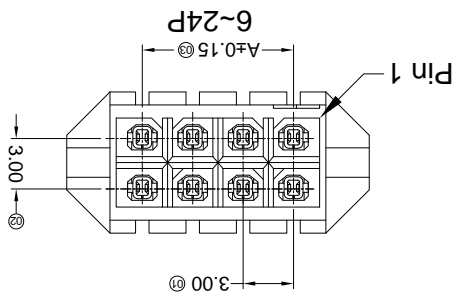
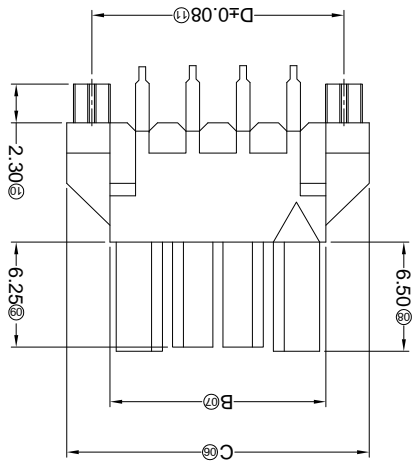
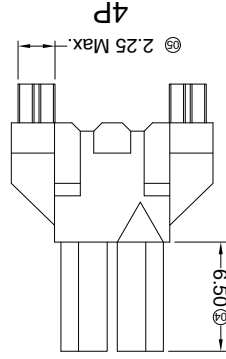
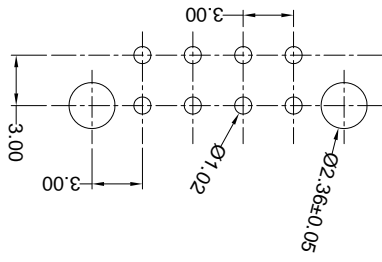
For and on behalf of
KXB INDUSTRIAL PRECISION CO., LIMITED
 香港星坤工業精密有限公司

REVISIONS
 Authorized Signature(s)

MARK	DESCRIPTION	DATE	REVISED	APPROVED	UNSPECIFIED TOLERANCES
△ X					±0.5
△ X					16 < L ≤ 63
△ X					L ≤ 4
△ X					ANGULAR ±5°

DSND	DATE	SCALE: N/A	MODEL TYPE: X3025HV-2*XX-LPSN
DWN	DATE <td>VIEW: </td> <td>PART NO.: 3.00 mm Crimp Style Connectors</td>	VIEW:	PART NO.: 3.00 mm Crimp Style Connectors
CHKD	DATE <td>UNIT: mm</td> <td>DWG NO.:</td>	UNIT: mm	DWG NO.:
APPD	DATE <td>SIZE: A4</td> <td>WEIGHT 1.0g</td>	SIZE: A4	WEIGHT 1.0g
			SHEET 1/1
			REVISION A0

Recommended P.C.B Layout



Part No.	Material	Material(Pin)	Finish(Pin)	Mates With KXB Housing
X3025HV-2*XX-LPSN	LCP UL 94V-0	Brass	Tin-Plated	X3025HW or 3025H

Poles	Dimensions(mm)			
	A	B	C	D
2*02	3.00	6.85	12.00	9.00
2*03	6.00	9.85	15.00	12.00
2*04	9.00	12.85	18.00	15.00
2*05	12.00	15.85	21.00	18.00
2*06	15.00	18.85	24.00	21.00
2*07	18.00	21.85	27.00	24.00
2*08	21.00	24.85	30.00	27.00
2*09	24.00	27.85	33.00	30.00
2*10	27.00	30.85	36.00	33.00
2*11	30.00	33.85	39.00	36.00
2*12	33.00	36.85	42.00	39.00

- ① Series No.
- ② Category: H-HSG
- ③ Welding Board Angle: BOARD-IN: V-180°
- ④ Row No.-Pin No.: 2*XX-2*02P~2*12P
- ⑤ Plug the Pin & special No.:
- ⑥ Material: LP-LCP 94V-0;
- ⑦ Plating Category: SN-Bright tin plating
- ⑧ Color: Blank-Natural Color

X3025 H V-2*XX-LP SN XX

- Specifications:
- Voltage rating: 250V AC / DC
 - Current rating: 5A AC / DC
 - Withstanding voltage: 1000V AC/minute
 - Temperature range: -25°C~+85°C
 - Insulation resistance: ≥1000MΩ
 - Contact resistance: ≤10mΩ
 - After environmental testing: ≤20mΩ

For and on behalf of
XKB INDUSTRIAL PRECISION CO., LIMITED
 香港星坤工業精密有限公司

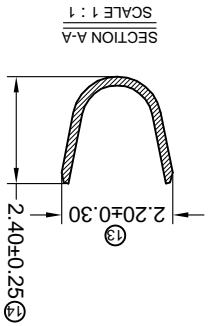
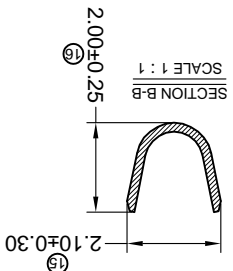
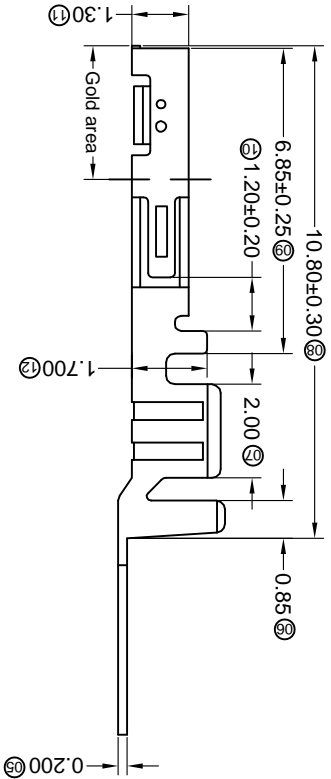
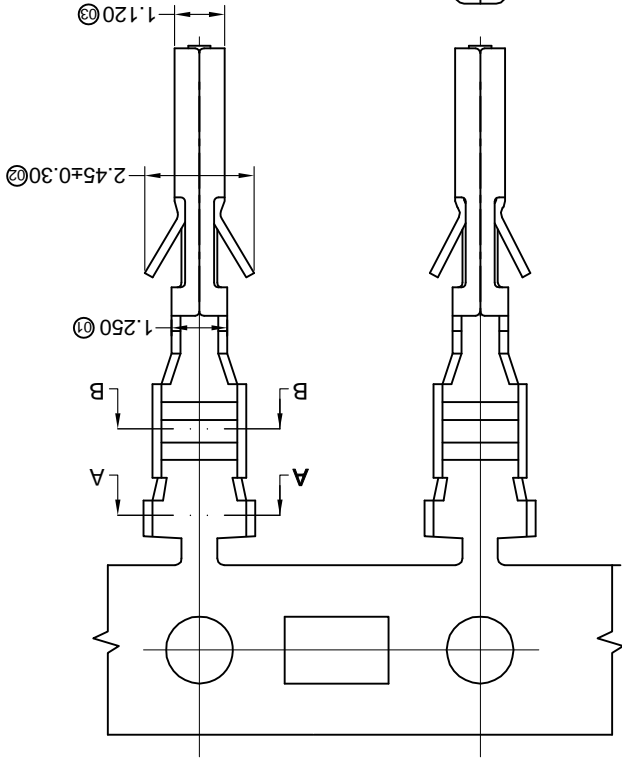
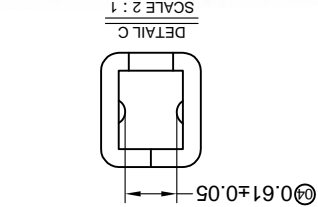
REVISIONS
 (Authorized Signatures)

MARK	DESCRIPTION	DATE	REVISED	APPROVED	UNSPECIFIED TOLERANCES
△ X					$L > 63$ ± 0.5
△ X					$16 > L \leq 63$ ± 0.4
△ X					$4 < L \leq 16$ ± 0.3
△ X					$L \leq 4$ ± 0.2
					ANGULAR $\pm 5^\circ$

MARK	DESCRIPTION	DATE	REVISED	APPROVED
△ X				
△ X				
△ X				

DSND	DATE	SCALE: N/A	MODEL TYPE: X3025TF-PXXX
DWN	DATE	VIEW:	PART NO.:
CHKD	DATE	UNIT: mm	DWG NO.:
APPD	DATE	SIZE: A4	REVISION
XKB INDUSTRIAL PRECISION CO., LIMITED			
WEIGHT	1.0g	SHEET	1/1
		8	

PART NO	Material	Wire Range	Insulation O.D.	Finish	Used in XKB Housing
X3025TF-PG30	Phosphor Bronze	AWG#20-24	1.85mm(Max)	Stamping Before Plating:30~50u" Ni;Contact Area Gold:30u" Min.	X3025HM
X3025TF-PG15				Stamping Before Plating:30~50u" Ni;Contact Area Gold:15u" Min.	
X3025TF-PG01				Stamping Before Plating:30~50u" Ni;Contact Area Gold Flash	
X3025TF-PSN				Stamping Before Plating:30~50u" Ni;70~120u" Sn	



■ Specifications :

- Voltage rating: 250V AC / DC
- Current rating: 5A AC / DC
- Withstanding voltage: 1000V AC/minute
- Temperature range: -40°C~+85°C
- Insulation resistance: $\geq 1000M\Omega$
- Contact resistance: $\leq 10m\Omega$
- After environmental testing: $\leq 20m\Omega$

X3025 T F-P XX X-X
 ①① ①② ①③ ①④ ①⑤ ①⑥ ①⑦

- ① Series Number
- ② Category: T-terminal
- ③ Shape: F-Female Terminal
- ④ Material: P-Phosphor bronze
- ⑤ Plating style:
- ⑥ G-Gold-Plated Contact
- ⑦ *01-Gold Flash *15-15u" *30-30u"
- ⑧ SN-Bright tin plating 70-120u"
- ⑨ Plating method:
- ⑩ Blank-Stamping before plating
- ⑪ Mold No./Mark/Special No.

MARK	DESCRIPTION	DATE	REVISED	APPROVED	UNSPECIFIED TOLERANCES
△ X					L > 63
△ X					16 > L ≤ 63
△ X					4 < L ≤ 16
△ X					L ≤ 4
					ANGULAR ± 5°

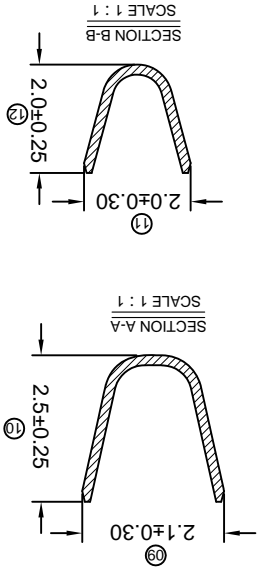
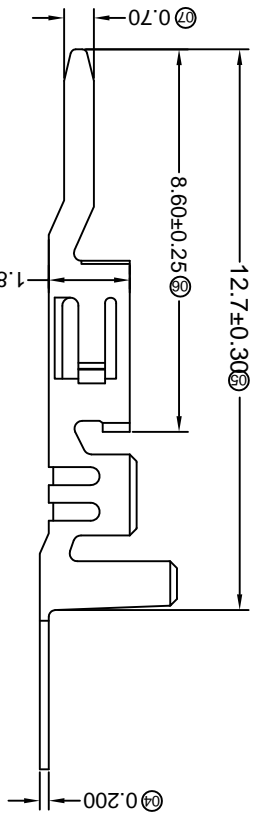
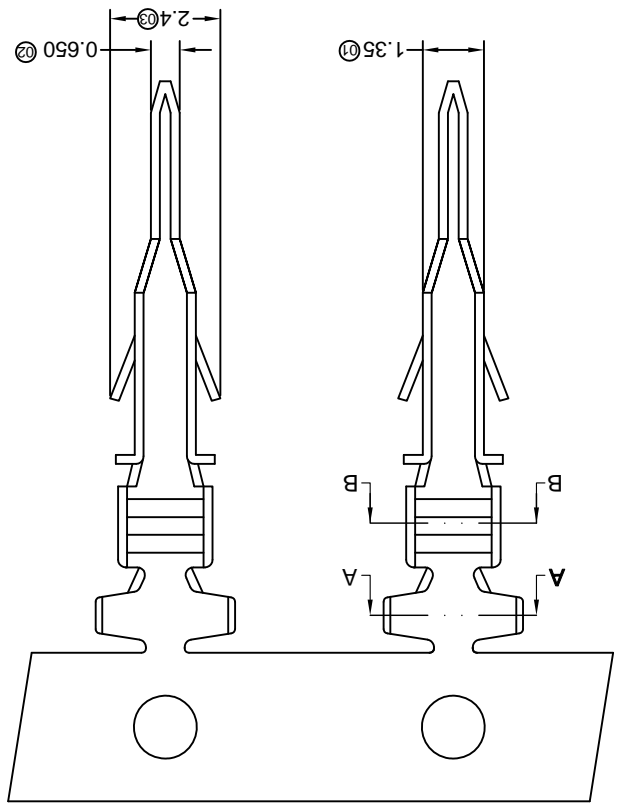
For and on behalf of
KXB INDUSTRIAL PRECISION CO., LIMITED
 香港星坤工業精密有限公司

REVISIONS	DATE	REVISED	APPROVED	UNSPECIFIED TOLERANCES
				L > 63
				16 > L ≤ 63
				4 < L ≤ 16
				L ≤ 4
				ANGULAR ± 5°

DSND	DATE	SCALE: N/A	MODEL TYPE: X3025TM-PXX
DWN	DATE	VIEW:	PART NO.:
CHKD	DATE	UNIT: mm	DWG NO.:
APPD	DATE	SIZE: A4	REVISION
			1/1
			A0

PART NO	Material	Wire Range	Insulation O.D.	Finish
X3025TM-PSN	Phosphor Bronze AWG#20-24	1.85mm(Max)		Stamping Before Plating:30u" Ni;70u" Sn
X3025TM-PG01				Stamping Before Plating:30u" Ni>Contact Area Gold Flash
X3025TM-PG15				Stamping Before Plating:30u" Ni>Contact Area Gold:15u" Min.
X3025TM-PG30				Stamping Before Plating:30u" Ni>Contact Area Gold:30u" Min.

Used in XKB Housing



- Specifications :
- Voltage rating: 250V AC / DC
 - Current rating: 5A AC / DC
 - Withstanding voltage: 1000V AC/minute
 - Temperature range: -25°C~+85°C
 - Insulation resistance: ≥1000MΩ
 - Contact resistance: ≤10mΩ
 - After environmental testing: ≤20mΩ
- X3025 T-M-P XX X-X
- ① Series Number
 ② Category: T-terminal
 ③ Shape: M-Male Terminal
 ④ Material: P-Phosphor bronze
 ⑤ Plating style: G-Gold-Plated Contact
 *01-Gold Flash *15-15u" *30-30u"
 SN-Bright tin plating 70u"
 ⑥ Plating method: Blank-Stamping before plating
 ⑦ Mold No./Mark/Special No.

For and on behalf of
KKB INDUSTRIAL PRECISION CO., LIMITED
 香港星坤工業精密有限公司

REVISIONS
 Authorized Signatures(s)

MARK	DESCRIPTION	DATE	REVISED	APPROVED	UNSPECIFIED TOLERANCES
△ X					L > 63 ± 0.5
△ X					16 > L ≤ 63 ± 0.4
△ X					4 < L ≤ 16 ± 0.3
					L ≤ 4 ± 0.2
					ANGULAR ± 5°

DATE	SCALE: N/A	MODEL TYPE: X3025WR-2*XX-N0XXX	VIEW:	DATE	DATE	DATE	SIZE: A4	WEIGHT: 1.0g	SHEET: 1/1	REVISION: A0
DNSD										
DWN										
CHKD										
APPD										

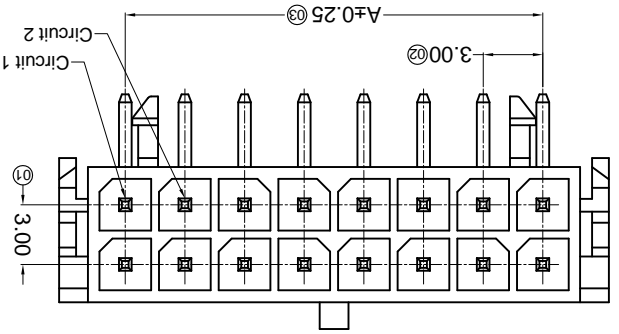
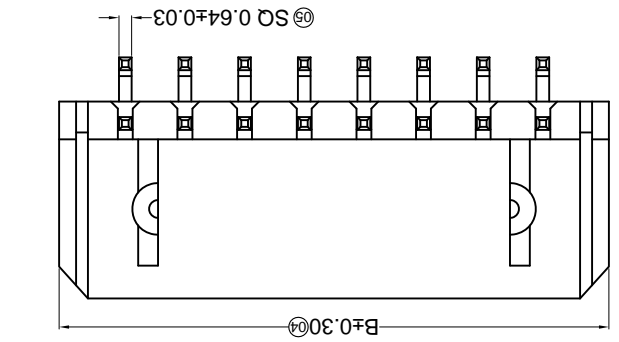
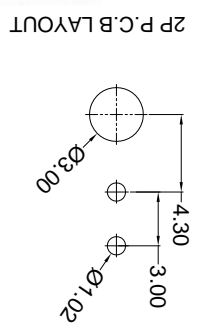
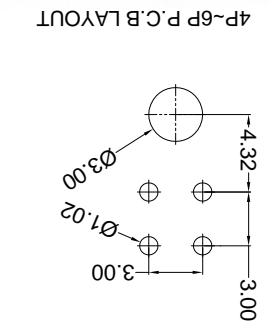
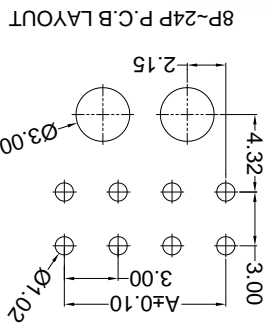
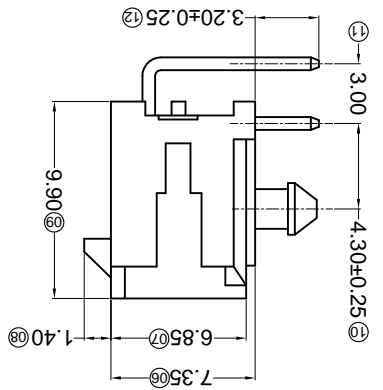
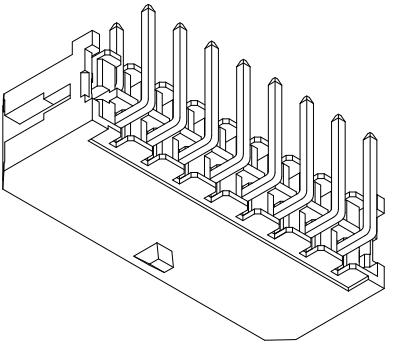
Part No.	Material	Material(Pin)	Finish(Pin)	Mates With KKB Housing
X3025WR-2*XX-46SN	PA46 UL 94V-0	Brass	Tin-Plated	X3025H
X3025WR-2*XX-46G01	PA46 UL 94V-0	Brass	Contact Gold	

Scale 1:3

Poles	Dimensions (mm)	
	A	B
2*01	---	6.65
2*02	3.00	9.65
2*03	6.00	12.65
2*04	9.00	15.65
2*05	12.00	18.65
2*06	15.00	21.65
2*07	18.00	24.65
2*08	21.00	27.65
2*09	24.00	30.65
2*10	27.00	33.65
2*11	30.00	36.65
2*12	33.00	39.65

- ① Series No.
 - ② Category: W-water
 - ③ Welding Board Angle: R-90°
 - ④ Welding Way: Blank-DIP
 - ⑤ Row No.-Pin No.: 2*XX-2*01P-2*12P
 - ⑥ Special NO.:
 - ⑦ Material: 46-P46 94V-0
 - ⑧ Planting Category: G01-Contact Gold Flash
 - ⑨ Plating Category: SN-Bright tin plating
 - ⑩ Color: Blank-natural color
- X3025 W R X-2*XX X-N0 XX XX
 ① ② ③ ④ ⑤ ⑥ ⑦ ⑧ ⑨ ⑩

- Specifications:
- Voltage rating: 250V AC / DC
- Current rating: 5A AC / DC
- Withstanding voltage: 1000V AC/minute
- Temperature range: -25°C~+85°C
- Insulation resistance: ≥1000MΩ
- Contact resistance: ≤10mΩ
- After environmental testing: ≤20mΩ



REVISIONS
Authorized Signature(s)

MARK	DESCRIPTION	DATE	REVISED	APPROVED	UNSPECIFIED TOLERANCES
△ X					L > 63 ± 0.5
△ X					16 < L ≤ 63 ± 0.4
△ X					4 < L ≤ 16 ± 0.3
△ X					L ≤ 4 ± 0.2
					ANGULAR ± 5°

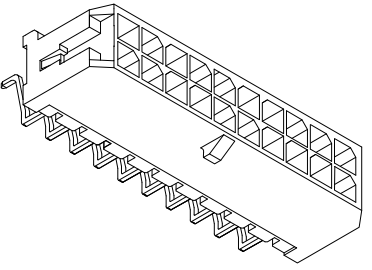
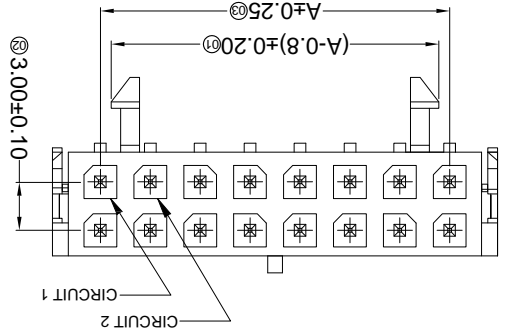
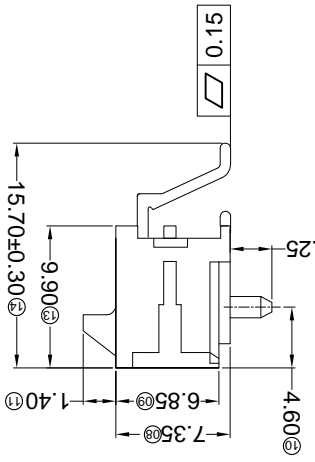
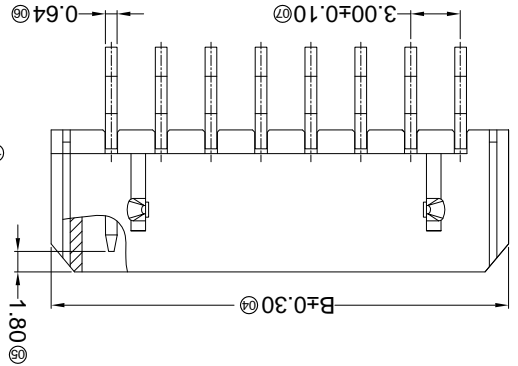
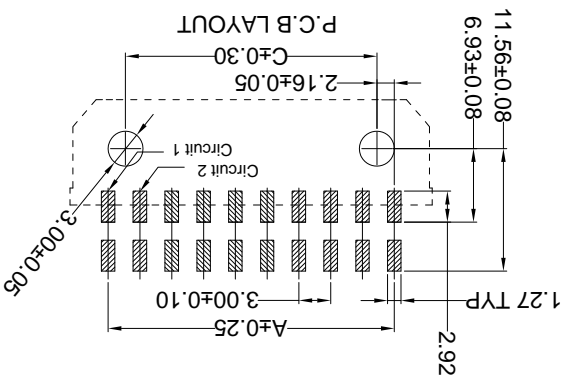
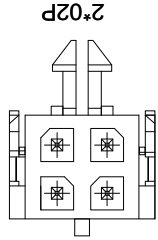
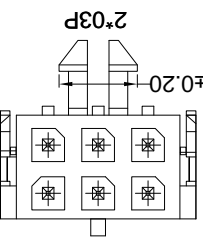
For and on behalf of
KKB INDUSTRIAL PRECISION CO., LIMITED
香港星坤工業精密有限公司

KKB INDUSTRIAL PRECISION CO., LIMITED

DATE	SCALE: N/A	MODEL TYPE:
		X3025WRS-2*XXA-LPXX
DATE	VIEW:	PART NO.:
		X3025WRS-2*XXA-LPXX
DATE	UNIT: mm	DWG NO.:
		3.00 mm Crimp Style Connectors
DATE	SIZE: A4	REVISION
		A0
WEIGHT	SHEET	REVISION
1.0g	1/1	

PART NO	Material	Material(Pin)	Finish(Pin)	Mates With XKB Housing
X3025WRS-2*XXA-LP5W	LCP UL 94V-0	Brass	Tin-Plated	X3025H
X3025WRS-2*XXA-LP5W	LCP UL 94V-0	Brass	Mate Tin Plating	

Poles	Dimensions (mm)		
	A	B	C
2*01	6.65	6.65	2*07
2*02	3.00	9.65	2*08
2*03	6.00	12.65	2*09
2*04	9.00	15.65	4*07
2*05	12.00	18.65	7*07
2*06	15.00	21.65	10*07
Poles			
Dimensions (mm)			
A	B	C	
18.00	24.65	13.70	
21.00	27.65	16.70	
24.00	30.65	19.70	
27.00	33.65	22.70	
30.00	36.65	25.70	
33.00	39.65	28.70	



- ① Series No.
② Category: W-water
③ Welding Board Angle: R- Right Angle 90°
④ Welding Way: S-SMT
⑤ Row No.-Pin No.: 2*XX-2*01P-2*12P
⑥ Plug the Pin & Special No.: A-With Post
⑦ Material: LP-LCP 94V-0
⑧ Planting Category: SN-Bright tin plating
⑨ Color: Blank-natural color
⑩ SW-Matte Tin plating

- Specifications:
- Voltage rating: 250V AC / DC
 - Current rating: 5A AC / DC
 - Withstanding voltage: 1000V AC/minute
 - Temperature range: -25°C~+85°C
 - Insulation resistance: ≥1000MΩ
 - Contact resistance: ≤10mΩ
 - After environmental testing: ≤20mΩ

For and on behalf of
KXB INDUSTRIAL PRECISION CO., LIMITED
 香港星坤工業精密有限公司

REVISIONS
 Authorized Signatures(s)

MARK	DESCRIPTION	DATE	REVISED	APPROVED	UNSPECIFIED TOLERANCES
△ X					L > 63
△ X					16 < L ≤ 63
△ X					4 < L ≤ 16
△ X					L ≤ 4
					ANGULAR
					± 5°
					± 0.2
					± 0.3
					± 0.4
					± 0.5

REVISION	SHEET	WEIGHT	8
A0	1/1	1.0g	

DATE	SCALE: N/A	MODEL TYPE: X3025WRS-2*XXC-XXXX	7

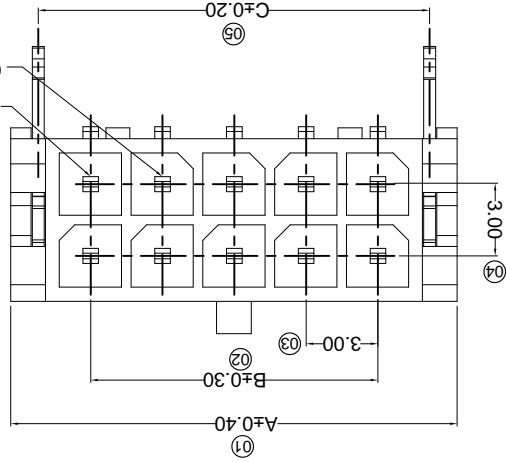
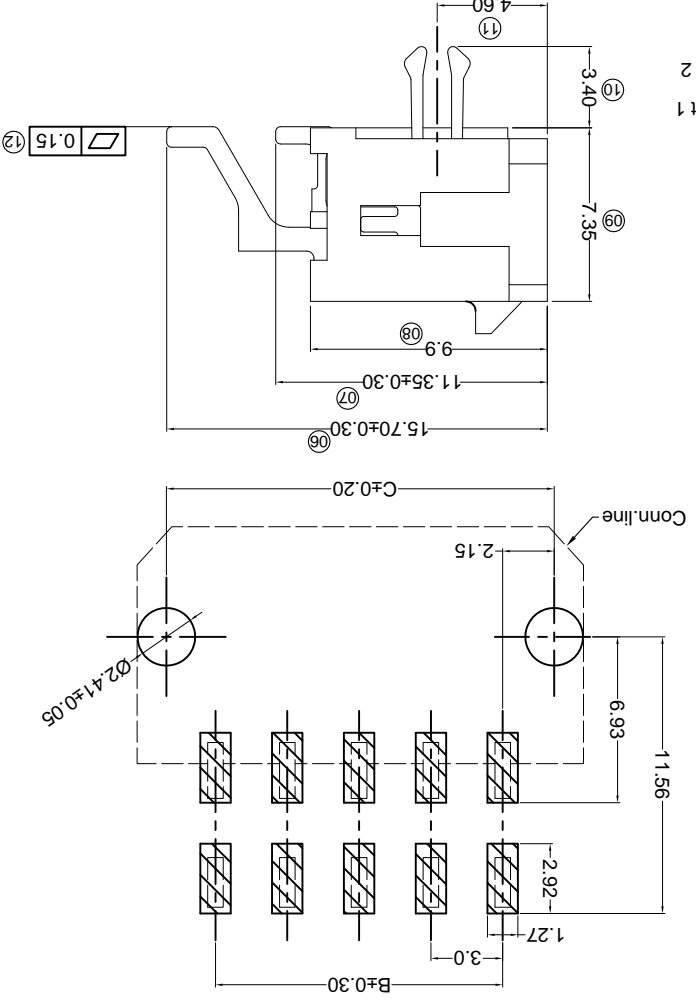
DATE	VIEW:	PART NO.: X3025WRS-2*XXC-XXXX	6

DATE	UNIT: mm	DWG NO.:	5
		3.00 mm Crimp Style Connectors <td></td>	

DATE	SIZE: A4	REVISION	4

DATE	APPD	CHKD	DWN	DNSD	3

PART NO	Material	Material(Pin)	Finish(Pin)	(Solder Tabs)	(Solder Tabs)	Mates With XKB Housing
X3025WRS-2*XXC-LPSW	LCP UL 94V-0	Brass	Ni:50u"Min; Sn:120u"Min	Brass	Finish Tabs	Mates With XKB Housing
X3025WRS-2*XXC-LPSN	LCP UL 94V-0	Brass	Ni:50u"Min; Sn:120u"Min	Brass	Tin-Plated	Mates With XKB Housing
X3025WRS-2*XXC-NOSN	PA66 UL 94V-0	Brass	Ni:50u"Min; Sn:120u"Min	Brass	Matte Tin Plating	Mates With XKB Housing



Poles	A	B	C
02	6.65	---	4.20
04	9.65	3.00	7.20
06	12.65	6.00	10.20
08	15.65	9.00	13.20
10	18.65	12.00	16.20
12	21.65	15.00	19.20
14	24.65	18.00	22.20
16	27.65	21.00	25.20
18	30.65	24.00	28.20
20	33.65	27.00	31.20
22	36.65	30.00	34.20
24	39.65	33.00	37.20

- Specifications :
- Voltage rating: 250V AC / DC
 - Current rating: 5A AC / DC
 - Withstanding voltage: 1000V AC/minute
 - Temperature range: -25°C~+85°C
 - Insulation resistance: ≥1000MΩ
 - Contact resistance: ≤10mΩ
 - After environmental testing: ≤20mΩ
- X3025 W R S- 2*XX C-XX XX XX
- ① Series No.
 ② Category: W-water
 ③ Welding Board Angle: R-90°
 ④ Welding Way: S-SMT
 ⑤ Row No.-Pin No.: 2*XX-Double row
 ⑥ Special NO.: C-The harpoon
 ⑦ Material: LP-LCP 94V-0
 ⑧ Material: N0-PA66 94V-0
 ⑨ Plating Category:
 SN-Bright tin plating 70u"
 SW-Fog Tin plating
 Color:
 ⑩ Blank-natural color

For and on behalf of
KXB INDUSTRIAL PRECISION CO., LIMITED
 香港星坤工業精密有限公司

Authorized Signatures

MARK	DESCRIPTION	DATE	REVISD	APPROVED	UNSPECIFIED TOLERANCES
△ X					L > 63
△ X					16 > L ≤ 63
△ X					4 < L ≤ 16
△ X					L ≤ 4
					ANGULAR
					± 5°

REVISION	SHEET	WEIGHT	NOIION
	1/1	1.0g	A0

APPD	DATE	SIZE: A4

CHKD	DATE	UNIT: mm

DWN	DATE	VIEW:

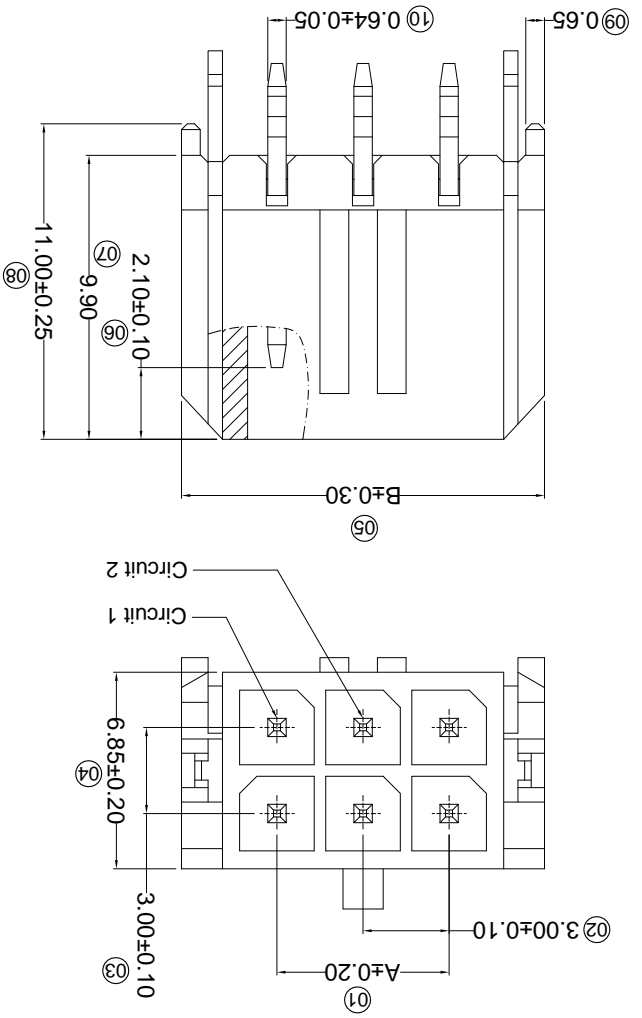
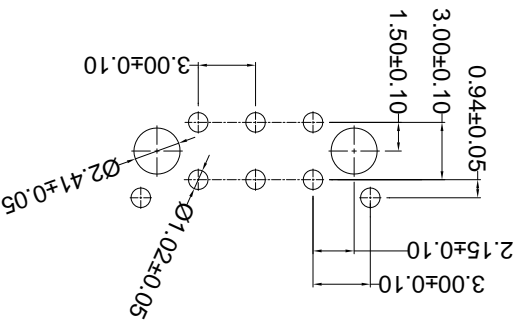
DSND	DATE	SCALE: N/A

PART NO	Material	Material(Pin)	Finish(Pin)	Mates With
X3025WV-2*XXC-N0SN	Nylon 9T UL 94V-0	Brass	Tin Plating Fog	X3025H
X3025WV-2*XXC-LPSW	LCP UL 94V-0			

Poles	A	B
02	--	6.65
04	3.00	9.65
06	6.00	12.65
08	9.00	15.65
10	12.00	18.65
12	15.00	21.65
14	18.00	24.65
16	21.00	27.65
18	24.00	30.65
20	27.00	33.65
22	30.00	36.65
24	33.00	39.65

- ① Series No.
- ② Category:
- ③ W-water
- ④ Welding Board Angle:
- ⑤ V-180°
- ⑥ Welding Way:
- ⑦ Blank-DIP
- ⑧ Row No.-Pin No.
- ⑨ 2*XX-Double row
- ⑩ Special NO.
- ⑪ C-The harpoon
- ⑫ Material:
- ⑬ LP-LCP 94V-0 N0-PA9T 94V-0
- ⑭ Planting Category:
- ⑮ V**All Gold-Plated
- ⑯ *01-Gold Flash : *02-2u" ; *03-3u" ; *05-5u"
- ⑰ *10-10u" ; *15-15u" ; *30-30u" ; *50-50u"
- ⑱ SN-Bright tin plating 70u"
- ⑲ SN1-Bright tin plating 120u"Min.;
- ⑳ SW-Fog Tin plating
- ㉑ Color:
- ㉒ Blank-natural color

P.C.B LAYOUT



- Specifications :
- Voltage rating: 250V AC / DC
- Current rating: 5A AC / DC
- Withstanding voltage: 1000V AC/minute
- Temperature range: -25°C~+85°C
- Insulation resistance: ≥1000MΩ
- Contact resistance: ≤10mΩ
- After environmental testing: ≤20mΩ

REVISIONS
Authorized Signatures

MARK	DESCRIPTION	DATE	REVISED	APPROVED	UNSPECIFIED TOLERANCES
△ X					L > 63
△ X					16 < L ≤ 63
△ X					4 < L ≤ 16
△ X					L ≤ 4
					ANGULAR
					± 5°

For and on behalf of
XKB INDUSTRIAL PRECISION CO., LIMITED
香港星坤工業精密有限公司

XKB INDUSTRIAL PRECISION CO., LIMITED

WEIGHT	1.0g
SHEET	1/1
REVISION	A0
DATE	
DATE	
DATE	
SCALE: N/A	
MODEL TYPE: X3025WV-2*XXCN-LPSN	
PART NO.:	
3.00 mm Crimp Style Connectors	
DWG NO.:	
SIZE: A4	

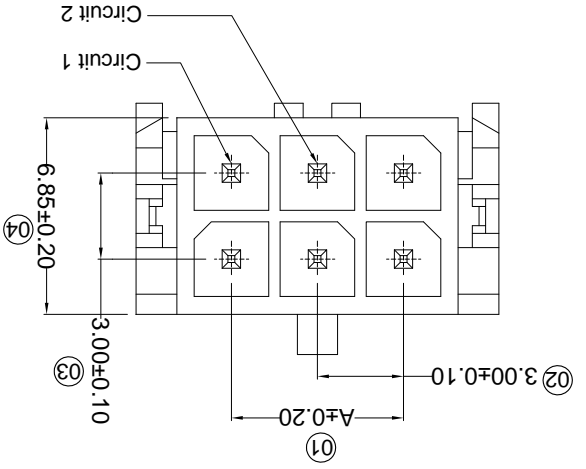
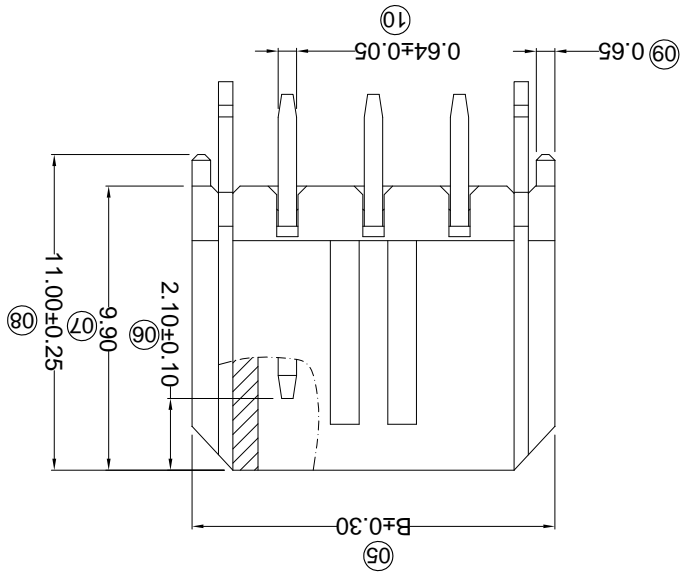
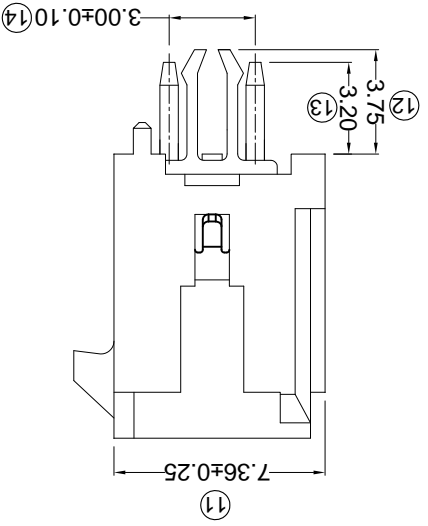
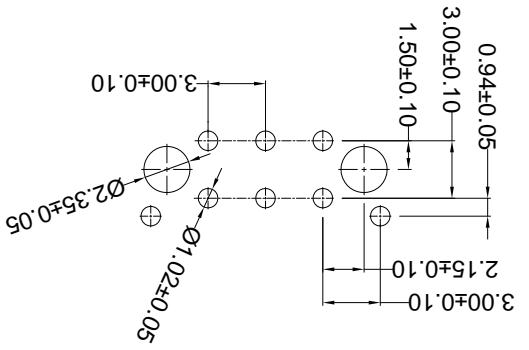
PART NO	Material	Material(Pin)	Finish(Pin)	Mates With XKB Housing
X3025WV-2*XXCN-LPSN	LCP UL 94V-0	Brass	Tin-Plated	X3025H

Poles	A	B
02	--	6.65
04	3.00	9.65
06	6.00	12.65
08	9.00	15.65
10	12.00	18.65
12	15.00	21.65
14	18.00	24.65
16	21.00	27.65
18	24.00	30.65
20	27.00	33.65
22	30.00	36.65
24	33.00	39.65

- ① Series No. X3025 W V X-2*XX CN-LP SN XX
- ② Category: W-water
- ③ Welding Board Angle: V-180°
- ④ Welding Way: Blank-DIP
- ⑤ Row No.-Pin No. 2*XX-Double row
- ⑥ Special NO. C-The harpoon N-without K the feet
- ⑦ Material: LP-LCP 94V-0
- ⑧ Plating Category: V**All Gold-Plated
- ⑨ Color: SN-Bright tin plating 70u" ; *1-10u" ; *15-15u" ; *30-30u" ; *50-50u" ; *01-Gold Flash ; *02-2u" ; *03-3u" ; *05-5u"
- ⑩ SW-Fog Tin plating
- ⑪ Blank-natural color

- Specifications :
- Voltage rating: 250V AC / DC
 - Current rating: 5A AC / DC
 - Withstanding voltage: 1000V AC/minute
 - Temperature range: -25°C~+85°C
 - Insulation resistance: ≥1000MΩ
 - Contact resistance: ≤10mΩ
 - After environmental testing: ≤20mΩ

P.C.B LAYOUT



For and on behalf of
KXB INDUSTRIAL PRECISION CO., LIMITED
 香港星坤工業精密有限公司

Authorized Signatures

MARK	DESCRIPTION	DATE	REVISIONS	APPROVED	REVISOR	DATE
△ X						
△ X						
△ X						

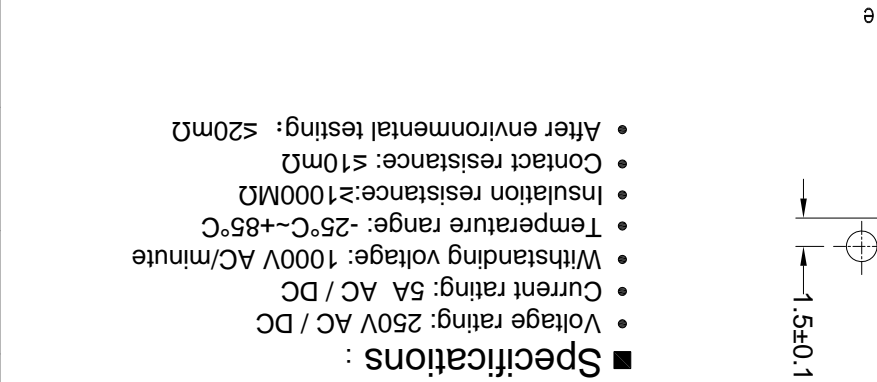
UNSPECIFIED TOLERANCES
L > 63 ± 0.5
16 < L ≤ 63 ± 0.4
4 < L ≤ 16 ± 0.3
L ≤ 4 ± 0.2
ANGULAR ± 5°

REVISION	SHEET	WEIGHT	DATE	DATE	DATE	DATE	DATE
A0	1/1	1.0g					

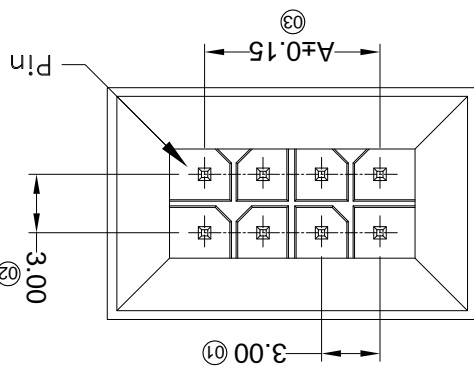
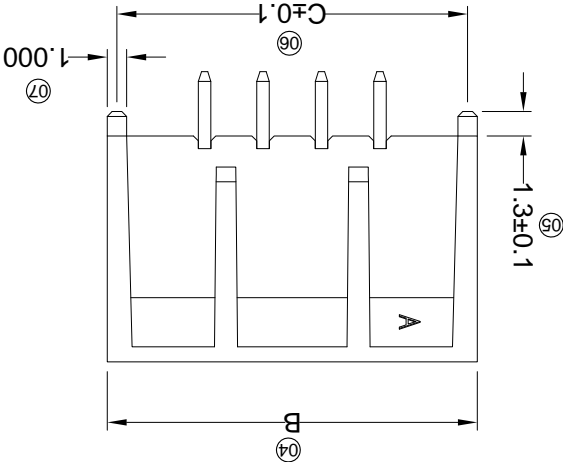
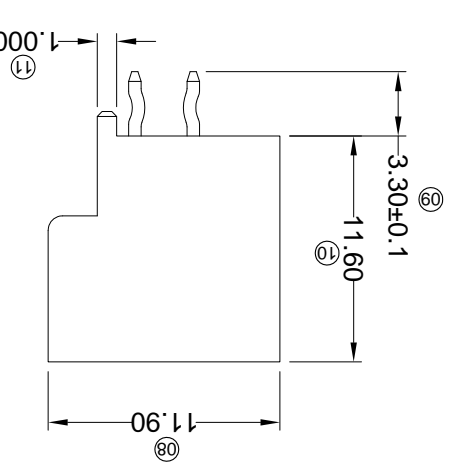
Part No.	Material	Material(Pin)	Finish(Pin)	Tin-Plated	Part No.	Material	Material(Pin)	Finish(Pin)	Tin-Plated
X3025WV-2*XXH-LPSN	LCP UL 94V-0	Brass			X3025H				

Dimensions (mm)	A	B	C
04	3.00	13.00	12.00
06	6.00	16.00	15.00
08	9.00	19.00	18.00
10	12.00	22.00	21.00
12	15.00	25.00	24.00
14	18.00	28.00	27.00
16	21.00	31.00	30.00
18	24.00	34.00	33.00
20	27.00	37.00	36.00
22	30.00	40.00	39.00
24	33.00	43.00	42.00

- ① Series No.
- ② Category: W-water
- ③ Welding Board Angle: V-180°
- ④ Welding Way: Blank-DIP
- ⑤ Row No.-Pin No.
- ⑥ 2*XX-Double row
- ⑦ Special NO.
- ⑧ H-Arrange ushering with positioning column
- ⑦ Material: LP-LCP 94V-0
- ⑧ Planting Category: V**;All Gold-Plated
- ⑧ G**;Gold-Plated Contact
- ⑧ *01-Gold Flash ; *02-2u" ; *03-3u" ; *05-5u"
- ⑧ *10-10u" ; *15-15u" ; *30-30u" ; *50-50u"
- ⑧ SN-Bright tin plating 70u"
- ⑧ SN1-Bright tin plating 120u"Min. ;
- ⑧ SW-Fog Tin plating
- ⑧ Color: Blank-natural color



- Specifications :
- Voltage rating: 250V AC / DC
 - Current rating: 5A AC / DC
 - Withstanding voltage: 1000V AC/minute
 - Temperature range: -25°C~+85°C
 - Insulation resistance: ≥1000MΩ
 - Contact resistance: ≤10mΩ
 - After environmental testing: ≤20mΩ



REVISIONS
 (Authorized Signatures)

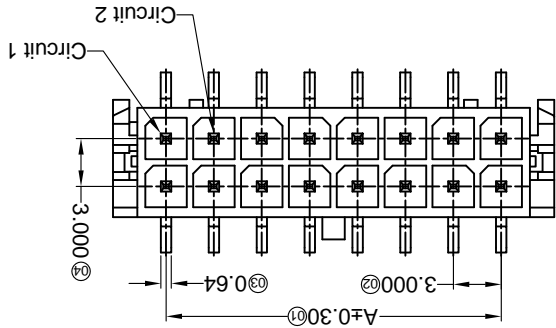
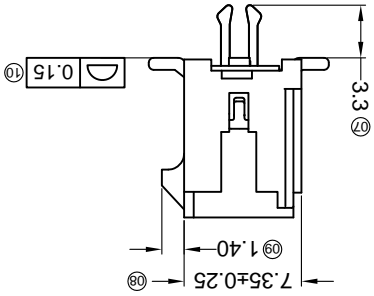
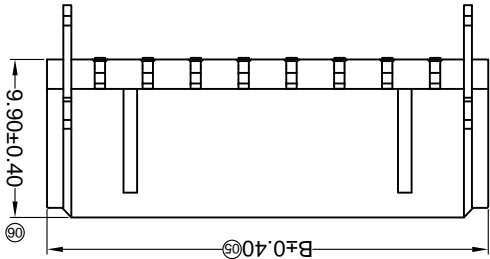
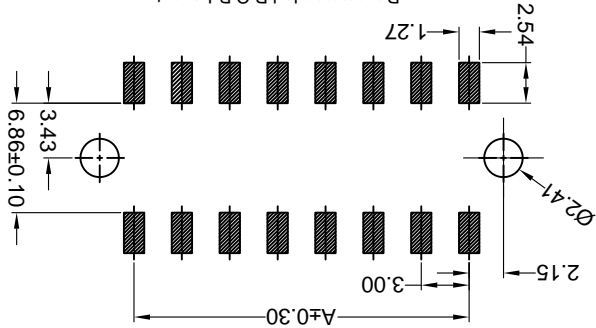
MARK	DESCRIPTION	DATE	REVISED	APPROVED	UNSPECIFIED TOLERANCES
△ X					L > 63
△ X					16 < L ≤ 63
△ X					4 < L ≤ 16
△ X					L ≤ 4
					ANGULAR
					± 5°

For and on behalf of
XKB INDUSTRIAL PRECISION CO., LIMITED
 香港星坤工業精密有限公司

XKB INDUSTRIAL PRECISION CO., LIMITED

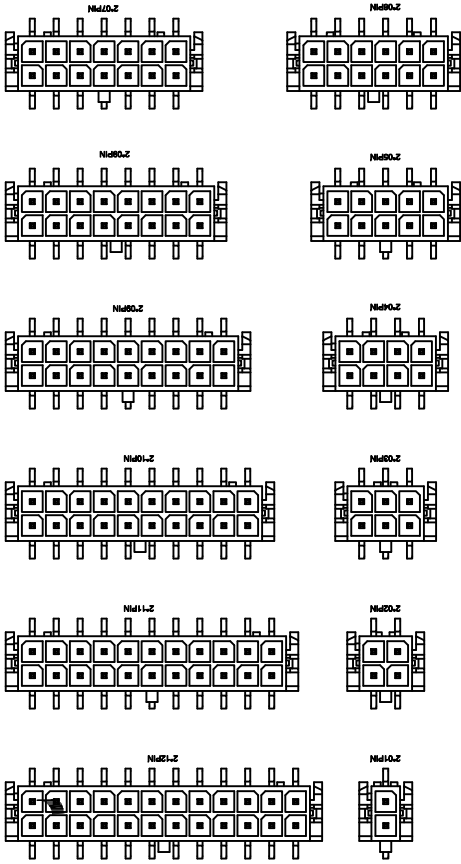
WEIGHT	1.0g
SHEET	1/1
REVISION	A0
SIZE:	A4
DATE:	
UNIT:	mm
VIEW:	
SCALE:	N/A
MODEL TYPE:	X3025WVS-2*XXC-LPXX
PART NO.:	
3.00 mm Crimp Style Connectors	
DWG NO.:	

Recommended P.C.B Layout
 General Tolerance±0.05



PART NO	Material	Material (P/n)	Material (P/n)	Material (P/n)	Material (P/n)	Material (P/n)	Material (P/n)	Material (P/n)	Material (P/n)
X3025WVS-2*XXC-LPXX	LCP UL 94V-0	Brass	Brass	Brass	Brass	Brass	Brass	Brass	Brass
X3025WVS-2*XXC-LPXX	LCP UL 94V-0	Brass	Brass	Brass	Brass	Brass	Brass	Brass	Brass

Poles	Dimensions(mm)	Dimensions(mm)
2*06	15.00	21.65
2*05	12.00	18.65
2*04	9.00	15.65
2*03	6.00	12.65
2*02	3.00	9.65
2*01	---	6.65
A	18.00	2*07
B	24.65	



- ① Series No.
- ② Category: W-water
- ③ Welding Board Angle: V- Straight 180°
- ④ Welding Way: S-SMT
- ⑤ Row No-Pin No.: 2*XX-2*01P~2*12P
- ⑥ Plug the Pin & Special No.: C-The Harpoon
- ⑦ Material: LP-LCP 94V-0
- ⑧ Plating Category: SN-Bright tin plating; SW-Matte Tin plating
- ⑨ Color: Blank-Natural color

- X3025 W V S-2*XX C-LP XX XX
- ① ② ③ ④ ⑤ ⑥ ⑦ ⑧ ⑨
- Specifications :
- Voltage rating: 250V AC / DC
 - Current rating: 5A AC / DC
 - Withstanding voltage: 1000V AC/minute
 - Temperature range: -25°C~+85°C
 - Insulation resistance: ≥1000MΩ
 - Contact resistance: ≤10mΩ
 - After environmental testing: ≤20mΩ

For and on behalf of
KXB INDUSTRIAL PRECISION CO., LIMITED
 香港星坤工業精密有限公司

MARK	DESCRIPTION	DATE	REVISED	APPROVED	UNSPECIFIED TOLERANCES
△ X					L > 63
△ X					16 < L ≤ 63
△ X					4 < L ≤ 16
					L ≤ 4
					ANGULAR
					± 5°

REVISIONS	DATE	REVISED	APPROVED	UNSPECIFIED TOLERANCES
				L > 63
				16 < L ≤ 63
				4 < L ≤ 16
				L ≤ 4
				ANGULAR
				± 5°

DATE	SCALE: N/A	MODEL TYPE: X3025WVS-2*XXD-LPSW

DATE	VIEW:	PART NO.: 3.00 mm Crimp Style Connectors

DATE	SCALE: N/A	MODEL TYPE: X3025WVS-2*XXD-LPSW

DATE	SCALE: N/A	MODEL TYPE: X3025WVS-2*XXD-LPSW

DATE	SCALE: N/A	MODEL TYPE: X3025WVS-2*XXD-LPSW

DATE	SCALE: N/A	MODEL TYPE: X3025WVS-2*XXD-LPSW

DATE	SCALE: N/A	MODEL TYPE: X3025WVS-2*XXD-LPSW

DATE	SCALE: N/A	MODEL TYPE: X3025WVS-2*XXD-LPSW

DATE	SCALE: N/A	MODEL TYPE: X3025WVS-2*XXD-LPSW

DATE	SCALE: N/A	MODEL TYPE: X3025WVS-2*XXD-LPSW

DATE	SCALE: N/A	MODEL TYPE: X3025WVS-2*XXD-LPSW

DATE	SCALE: N/A	MODEL TYPE: X3025WVS-2*XXD-LPSW

DATE	SCALE: N/A	MODEL TYPE: X3025WVS-2*XXD-LPSW

DATE	SCALE: N/A	MODEL TYPE: X3025WVS-2*XXD-LPSW

DATE	SCALE: N/A	MODEL TYPE: X3025WVS-2*XXD-LPSW

DATE	SCALE: N/A	MODEL TYPE: X3025WVS-2*XXD-LPSW

DATE	SCALE: N/A	MODEL TYPE: X3025WVS-2*XXD-LPSW

DATE	SCALE: N/A	MODEL TYPE: X3025WVS-2*XXD-LPSW

DATE	SCALE: N/A	MODEL TYPE: X3025WVS-2*XXD-LPSW

DATE	SCALE: N/A	MODEL TYPE: X3025WVS-2*XXD-LPSW

DATE	SCALE: N/A	MODEL TYPE: X3025WVS-2*XXD-LPSW

DATE	SCALE: N/A	MODEL TYPE: X3025WVS-2*XXD-LPSW

DATE	SCALE: N/A	MODEL TYPE: X3025WVS-2*XXD-LPSW

DATE	SCALE: N/A	MODEL TYPE: X3025WVS-2*XXD-LPSW

DATE	SCALE: N/A	MODEL TYPE: X3025WVS-2*XXD-LPSW

DATE	SCALE: N/A	MODEL TYPE: X3025WVS-2*XXD-LPSW

DATE	SCALE: N/A	MODEL TYPE: X3025WVS-2*XXD-LPSW

DATE	SCALE: N/A	MODEL TYPE: X3025WVS-2*XXD-LPSW

DATE	SCALE: N/A	MODEL TYPE: X3025WVS-2*XXD-LPSW

DATE	SCALE: N/A	MODEL TYPE: X3025WVS-2*XXD-LPSW

DATE	SCALE: N/A	MODEL TYPE: X3025WVS-2*XXD-LPSW

DATE	SCALE: N/A	MODEL TYPE: X3025WVS-2*XXD-LPSW

DATE	SCALE: N/A	MODEL TYPE: X3025WVS-2*XXD-LPSW

DATE	SCALE: N/A	MODEL TYPE: X3025WVS-2*XXD-LPSW

DATE	SCALE: N/A	MODEL TYPE: X3025WVS-2*XXD-LPSW

DATE	SCALE: N/A	MODEL TYPE: X3025WVS-2*XXD-LPSW

DATE	SCALE: N/A	MODEL TYPE: X3025WVS-2*XXD-LPSW

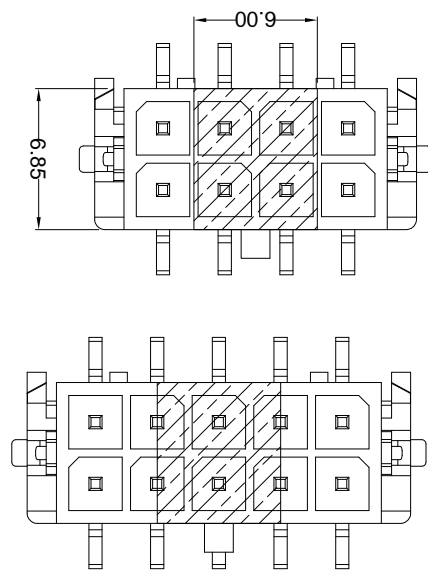
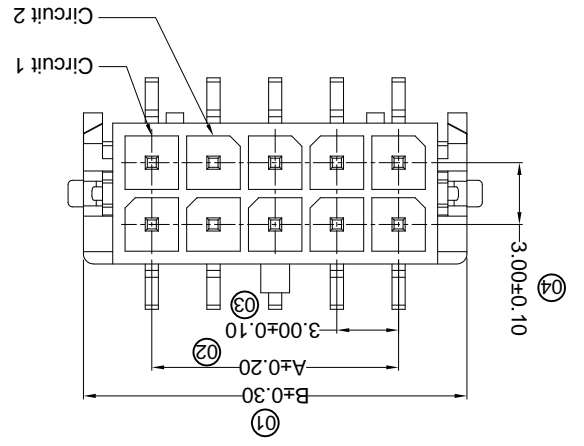
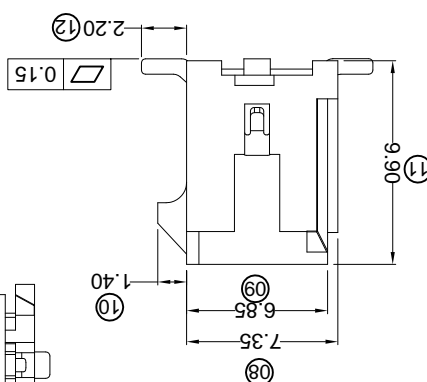
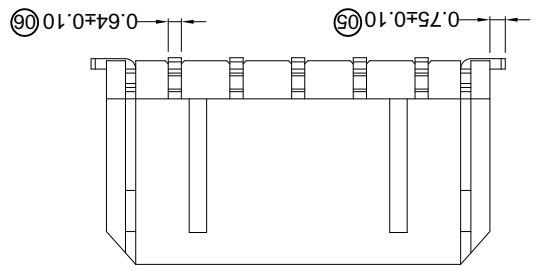
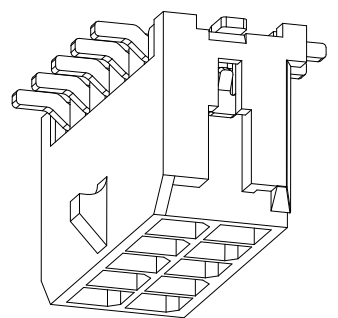
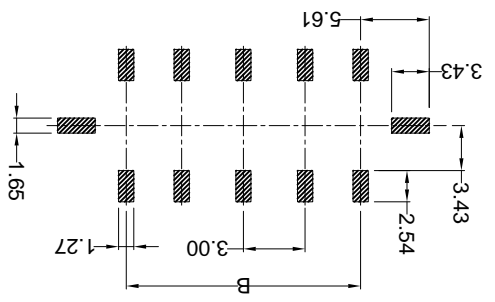
DATE	SCALE: N/A	MODEL TYPE: X3025WVS-2*XXD-LPSW

DATE	SCALE: N/A	MODEL TYPE: X3025WVS-2*XXD-LPSW

DATE	SCALE: N/A	MODEL TYPE: X3025WVS-2*XXD-LPSW

DATE	SCALE: N/A	MODEL TYPE: X3025WVS-2*XXD-LPSW

P.C.B. LAYOUT



- ① Series No.
- ② Category: W-water
- ③ Weiding Board Angle: V- Stright 180°
- ④ Weiding Way: S-SMT
- ⑤ Row No.-Pin No.: 2*XX-2*01P-2*12P
- ⑥ Plug the Pin & Special No.: D-Solder Tabs
- ⑦ Material: LP-LCP 94V-0
- ⑧ Planting Category:
- ⑨ SN-Bright tin plating ; SW-Matte Tin plating
- ⑩ Color: Blank-Natural color

- Specifications :
- Voltage rating: 250V AC / DC
 - Current rating: 5A AC / DC
 - Withstanding voltage: 1000V AC/minute
 - Temperature range: -25°C~+85°C
 - Insulation resistance: ≥1000MΩ
 - Contact resistance: ≤10mΩ
 - After environmental testing: ≤20mΩ

Dimensions(mm)	Poles	
	A	B
2*01	---	6.65
2*02	3.00	9.65
2*03	6.00	12.65
2*04	9.00	15.65
2*05	12.00	18.65
2*06	15.00	21.65
Poles		Dimensions(mm)
A	B	
2*07	2*07	18.00
2*08	2*08	21.00
2*09	2*09	24.00
2*10	2*10	27.00
2*11	2*11	30.00
2*12	2*12	33.00
Poles		Dimensions(mm)
A	B	
2*13	2*13	36.65
2*14	2*14	39.65

PART NO	Material	Material(Pin)	Finish(Pin)	(Solder Tabs)	(Solder Tabs)	Finish (Solder Tabs)	Mates With XKB Housing
X3025WVS-2*XXD-LPSW	LCP UL 94V-0	Brass	Matte tin	Brass	Matte tin	Matte tin	X3025H

8 7 6 5 4 3 2 1

8 7 6 5 4 3 2 1

8 7 6 5 4 3 2 1

8 7 6 5 4 3 2 1

8 7 6 5 4 3 2 1

8 7 6 5 4 3 2 1

8 7 6 5 4 3 2 1

8 7 6 5 4 3 2 1

8 7 6 5 4 3 2 1

8 7 6 5 4 3 2 1

8 7 6 5 4 3 2 1

8 7 6 5 4 3 2 1

8 7 6 5 4 3 2 1

8 7 6 5 4 3 2 1

8 7 6 5 4 3 2 1

8 7 6 5 4 3 2 1

8 7 6 5 4 3 2 1

8 7 6 5 4 3 2 1

8 7 6 5 4 3 2 1

8 7 6 5 4 3 2 1

8 7 6 5 4 3 2 1

8 7 6 5 4 3 2 1

8 7 6 5 4 3 2 1

8 7 6 5 4 3 2 1

8 7 6 5 4 3 2 1

8 7 6 5 4 3 2 1

8 7 6 5 4 3 2 1

8 7 6 5 4 3 2 1

8 7 6 5 4 3 2 1

8 7 6 5 4 3 2 1

8 7 6 5 4 3 2 1

8 7 6 5 4 3 2 1

8 7 6 5 4 3 2 1

8 7 6 5 4 3 2 1

8 7 6 5 4 3 2 1

8 7 6 5 4 3 2 1

8 7 6 5 4 3 2 1

8 7 6 5 4 3 2 1

8 7 6 5 4 3 2 1

8 7 6 5 4 3 2 1

8 7 6 5 4 3 2 1

8 7 6 5 4 3 2 1

8 7 6 5 4 3 2 1

8 7 6 5 4 3 2 1

8 7 6 5 4 3 2 1

8 7 6 5 4 3 2 1

8 7 6 5 4 3 2 1

8 7 6 5 4 3 2 1

X-ON Electronics

Largest Supplier of Electrical and Electronic Components

Click to view similar products for [Headers & Wire Housings](#) category:

Click to view products by [XKB](#) manufacturer:

Other Similar products are found below :

[95000-104TRLF](#) [10135584-644402LF](#) [DF62W-EP2022PCA](#) [95000-106TRLF](#) [DF62W-2022SCA](#) [DF62W-EP2022PC](#) [2203348](#) [DF62W-2022SC](#) [1084018](#) [1029039](#) [1084017](#) [802-10-012-10-002000](#) [1112640](#) [1112639](#) [891-007-9SS-BST1T](#) [000-34000](#) [0008550134](#) [0009482033](#) [0009507031](#) [57102-F02-18ULF](#) [57102-S06-03LF](#) [57202-S52-04LF](#) [PCN6-15S-2.5E](#) [0039019024](#) [58102-G61-06LF](#) [582553-1](#) [0009485154](#) [0009508121](#) [0022285053](#) [0050291907](#) [018731A](#) [LY20-4P-DT1-P1E-BR](#) [02.125.8002.8](#) [60101931](#) [60598-1 \(Cut Strip\)](#) [M1625-3R/100](#) [61062-3](#) [61082-181009](#) [CSU011177004](#) [636-1427](#) [638009-1](#) [641938-9](#) [641991-4](#) [644168-1](#) [644827-2](#) [647662-1](#) [65039-019ELF](#) [65692-001LF](#) [65781-018](#) [65781-047](#)