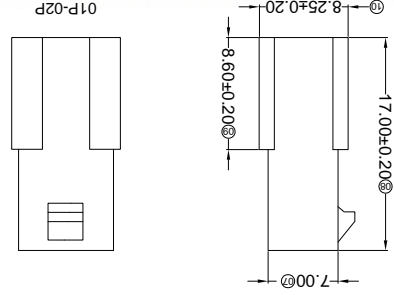
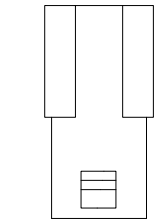
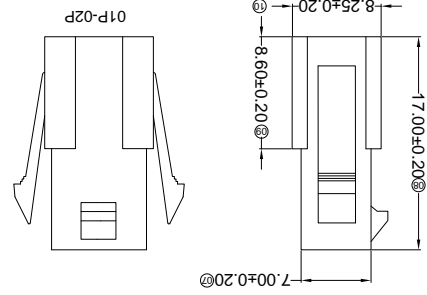
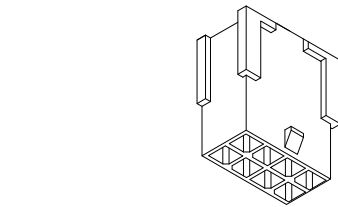
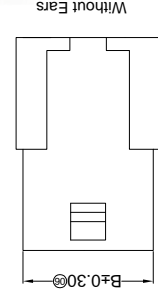
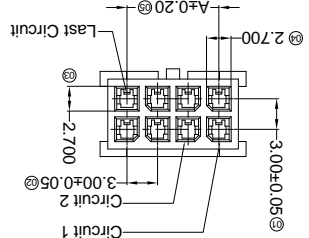
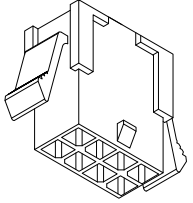
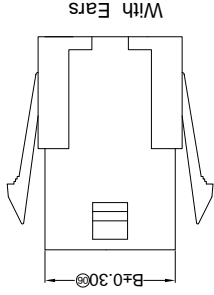
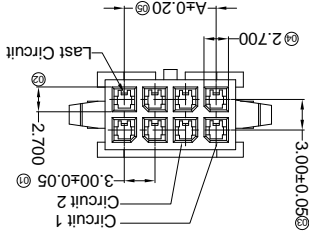


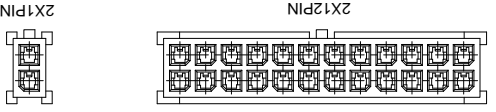
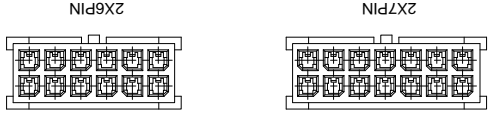
**RoHS**  
Lead-free



REVISIONS  
*(Unauthorized Signatures)*

MARK	DESCRIPTION	DATE	REVISED	APPROVED	UNSPECIFIED TOLERANCES
△ X					L > 63 ±0.5
△ X					16 < L ≤ 63 ±0.4
△ X					4 < L ≤ 16 ±0.3
△ X					L ≤ 4 ±0.2
					ANGULAR ±5°

For and on behalf of  
**XKB INDUSTRIAL PRECISION CO., LIMITED**  
香港星坤工業精密有限公司



PART NO	Material	Suitable SWB Terminal	Mates With XKB Housing	Note
X3025HF-2*XXG-N2	Nylon 66 94V-2	X3025TM	X3025HM	With Ears
X3025HF-2*XXI-N2	Nylon 66 94V-2	X3025TM	X3025HM	Without Ears

Poles	Dimensions(mm)		Poles	Dimensions(mm)	
	A	B		A	B
2*01	18.00	22.00	2*07	4.00	2.07
2*02	3.00	7.00	2*08	7.00	2.08
2*03	6.00	10.00	2*09	10.00	2.09
2*04	9.00	13.00	2*10	13.00	2.10
2*05	12.00	16.00	2*11	16.00	2.11
2*06	15.00	19.00	2*12	19.00	2.12

X3025 H F-2\*XX XX-N2 XX

① Series No.

② Category: H-HSG

③ Welding Board Angle: F-Female HSG

④ Row No.-Pin No.: 2\*XX-2\*01P-2\*12P

⑤ Plug the Pin & special No.: I-Without Ears  
G-With Ears

⑥ Material: N2-PA66 94V-2;

⑦ Color: Blank-Natural Color

- Voltage rating: 250V AC / DC
- Current rating: 5A AC / DC
- Withstanding voltage: 1000V AC/minute
- Temperature range: -25°C~+85°C
- Insulation resistance: ≥1000MΩ
- Contact resistance: ≤10mΩ
- After environmental testing: ≤20mΩ

■ Specifications :

DSND	DATE	SCALE: N/A	MODEL TYPE: X3025HF-2*XXX-N2
DWN <th>DATE</th> <th>VIEW: </th> <th>PART NO.:</th>	DATE	VIEW:	PART NO.:
CHKD <th>DATE</th> <th>UNIT: mm</th> <th>DWG NO.:</th>	DATE	UNIT: mm	DWG NO.:
APPD <th>DATE</th> <th>SIZE: A4</th> <th>REVISION</th>	DATE	SIZE: A4	REVISION

**XKB INDUSTRIAL PRECISION CO., LIMITED**

WEIGHT	SHEET	REVISION
1.0g	1/1	A0

REVISIONS  
Authorized Signatures(s)

MARK	DESCRIPTION	DATE	REVISED	APPROVED	UNSPECIFIED TOLERANCES
△ X					L > 63
△ X					16 < L ≤ 63
△ X					4 < L ≤ 16
					L ≤ 4
					ANGULAR

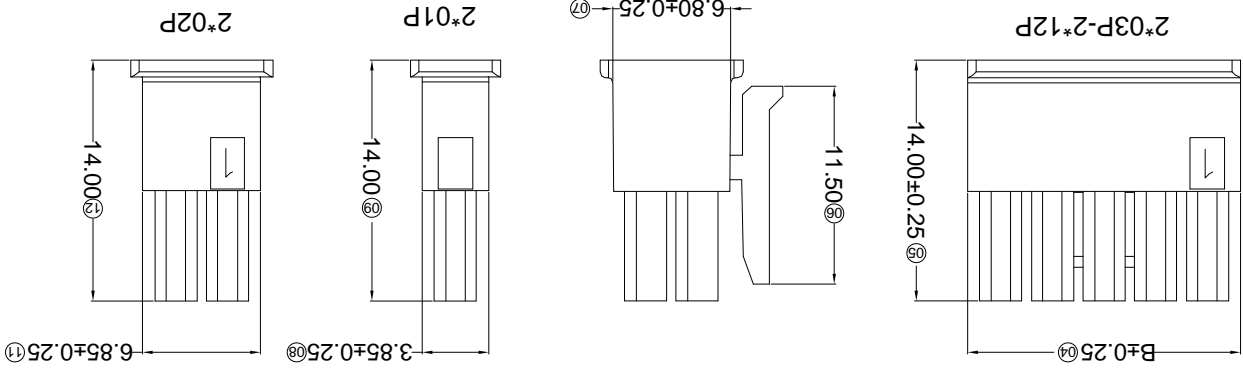
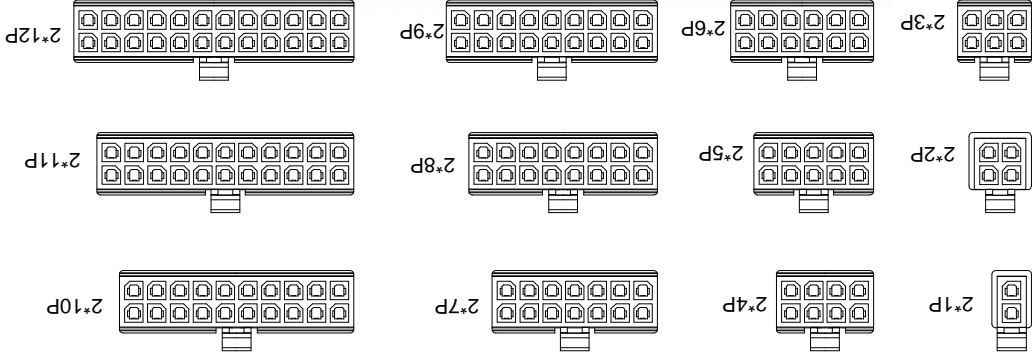
For and on behalf of  
KRB INDUSTRIAL PRECISION CO., LIMITED  
香港星坤工業精密有限公司

KRB INDUSTRIAL PRECISION CO., LIMITED

MODEL TYPE: X3025HM-2*XX-N2	SCALE: N/A	DATE	DNSD
PART NO.: X3025HM-2*XX-N2	VIEW:	DATE	DWN
	UNIT: mm	DATE	CHKD
	SIZE: A4	DATE	APPD
WEIGHT 1.0g	SHEET 1/1	REVISION A0	

PART NO	Material	Suitable SWB Terminal	
X3025HM-2*XX-N2	Nylon 66 94V-2	X3025TF	Mates With XKB Water

Poles	Dimensions(mm)		Poles	Dimensions(mm)	
	A	B		A	B
2*01	2*07	18.00	2*01	21.85	21.85
2*02	3.00	24.00	2*02	24.85	24.85
2*03	6.00	27.85	2*03	27.85	27.85
2*04	9.00	30.85	2*04	30.85	30.85
2*05	12.00	33.85	2*05	33.85	33.85
2*06	15.00	36.85	2*06	36.85	36.85



X3025 H M-2\*XX XX-N2 XX

① Series No.

② Category: H-HSG

③ Welding Board Angle: M-Male HSG

④ Row No.-Pin No.: 2\*XX-2\*01P~2\*12P

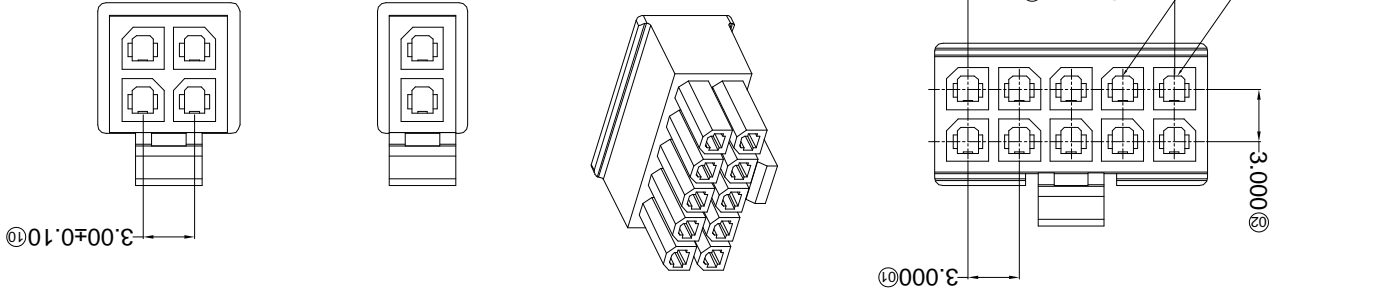
⑤ Plug the Pin & special No.:

⑥ Material: N2-PA66 94V-2;

⑦ Color: Blank-Natural Color

- Voltage rating: 250V AC / DC
- Current rating: 5A AC / DC
- Withstanding voltage: 1000V AC/minute
- Temperature range: -25°C~+85°C
- Insulation resistance: ≥1000MΩ
- Contact resistance: ≤10mΩ
- After environmental testing: ≤20mΩ

Specifications :



For and on behalf of  
**KKB INDUSTRIAL PRECISION CO., LIMITED**  
 香港星坤工業精密有限公司

MARK	DESCRIPTION	REVISIONS			UNSPECIFIED TOLERANCES
		DATE	REVISED	APPROVED	
△ X					L > 63 ± 0.5
△ X					16 < L ≤ 63 ± 0.4
△ X					4 < L ≤ 16 ± 0.3
△ X					L ≤ 4 ± 0.2
					ANGULAR ± 5°

DWND	DATE	SCALE: N/A	MODEL TYPE: X3025HR-2*XX-LPSN	REVISIONS	
				WEIGHT	SHEET
				1.0g	1/1
					A0

DNSD	DATE	VIEW:	PART NO.: X3025HR-2*XX-LPSN
CHKD	DATE	UNIT: mm	DWG NO.:
APPD	DATE	SIZE: A4	

Part No.	Material	Material(Pin)	Finish(Pin)	Mates With XKB Housing
X3025HR-2*XX-LPSN	LCP UL 94V-0	Brass	Tin-Plated	X3025HW or 3025H

Poles	Dimensions(mm)		
	A	B	C
2'02	3.00	6.70	2'08
2'03	6.00	9.70	2'09
2'04	9.00	12.70	2'10
2'05	12.00	15.70	2'11
2'06	15.00	18.70	2'12
2'07	18.00	21.70	15.00

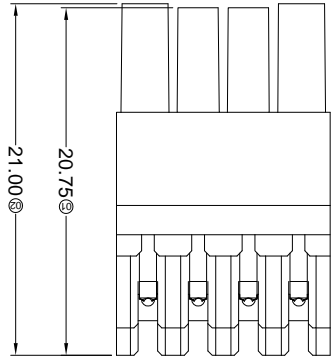
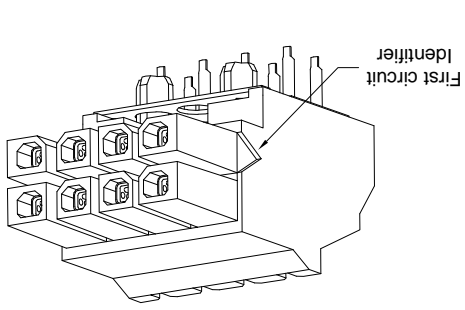
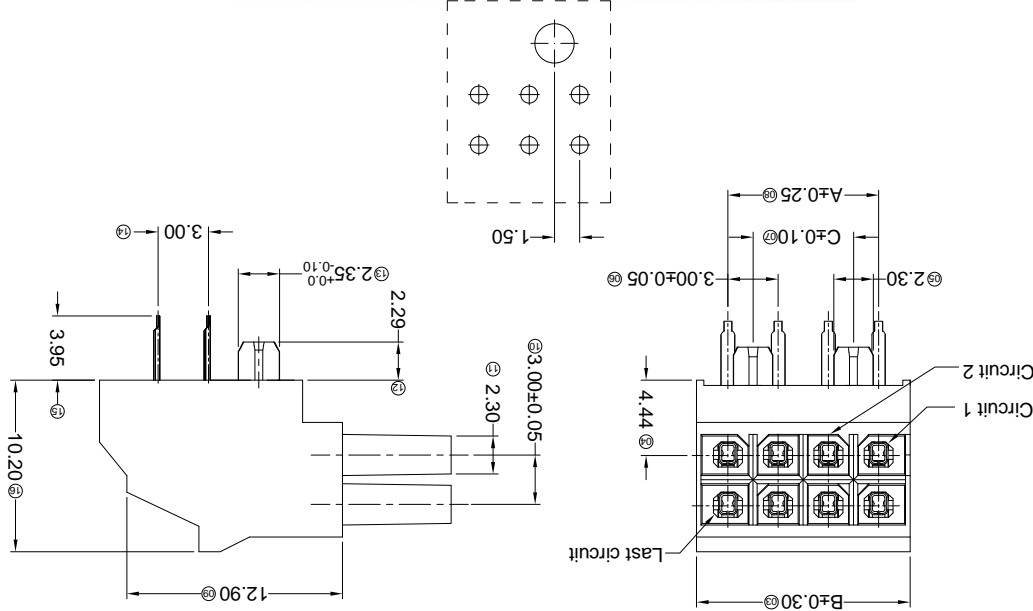
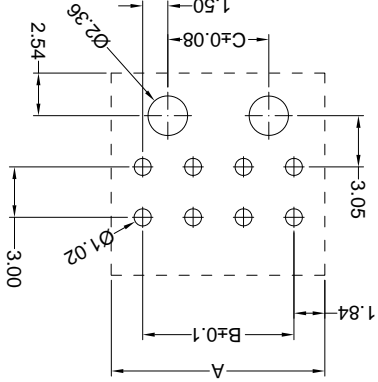
  

Poles	Dimensions(mm)		
	A	B	C
2'02	21.00	24.70	18.00
2'03	24.00	27.70	21.00
2'04	27.00	30.70	24.00
2'05	30.00	33.70	27.00
2'06	33.00	36.70	30.00
2'07	36.00		

- ① Series No.
- ② Category: H-HSG
- ③ Welding Board Angle: BOARD-IN-R-90°
- ④ Row No.-Pin No.: 2\*XX-2\*02P~2\*12P
- ⑤ Plug the Pin & special No.:
- ⑥ Material: LP-LCP 94V-0;
- ⑦ Plating Category: SN-Bright tin plating
- ⑧ Color: Blank-Natural Color

X3025 H R-2\*XX LP SN XX

- Specifications :
- Voltage rating: 250V AC / DC
  - Current rating: 5A AC / DC
  - Withstanding voltage: 1000V AC/minute
  - Temperature range: -25°C~+85°C
  - Insulation resistance: ≥1000MΩ
  - Contact resistance: ≤10mΩ
  - After environmental testing: ≤20mΩ



For and on behalf of  
**KXB INDUSTRIAL PRECISION CO., LIMITED**  
 香港星坤工業精密有限公司

MARK	DESCRIPTION	DATE	REVISIONS	UNSPECIFIED TOLERANCES
△ X				±0.5
△ X				16 < L ≤ 63
△ X				L ≤ 4
△ X				ANGULAR ±5°

MARK	DESCRIPTION	DATE	REVISIONS
△ X			
△ X			
△ X			

REVISIONS	DATE	BY	DESCRIPTION
1			

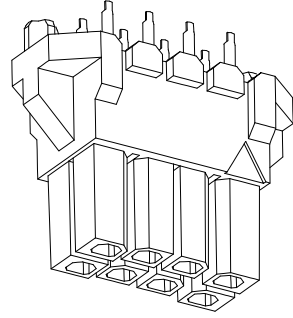
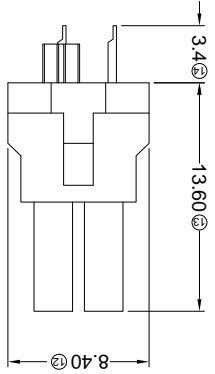
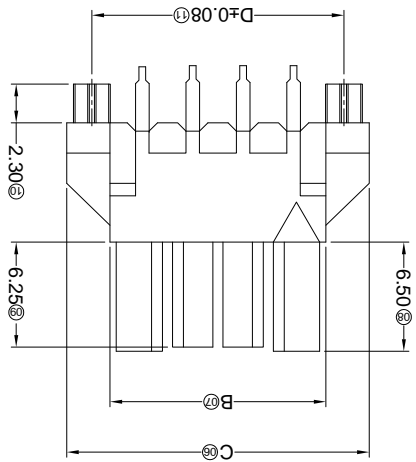
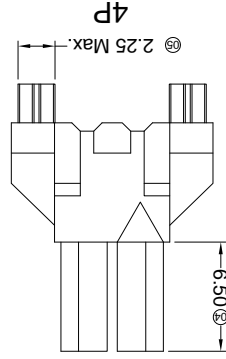
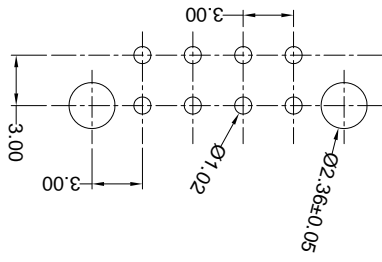
APPD	CHKD	DWN	DSND

DATE	VIEW	SCALE	MODEL TYPE
		N/A	X3025HV-2*XX-LPSN

DATE	UNIT	SIZE
	mm	A4

WEIGHT	SHEET	REVISION
1.0g	1/1	A0

Recommended P.C.B Layout



Part No.	Material	Material(Pin)	Finish(Pin)	Mates With
X3025HV-2*XX-LPSN	LCP UL 94V-0	Brass	Tin-Plated	X3025HW or 3025H

Poles	Dimensions(mm)			
	A	B	C	D
2*02	3.00	6.85	12.00	9.00
2*03	6.00	9.85	15.00	12.00
2*04	9.00	12.85	18.00	15.00
2*05	12.00	15.85	21.00	18.00
2*06	15.00	18.85	24.00	21.00
2*07	18.00	21.85	27.00	24.00
2*08	21.00	24.85	30.00	27.00
2*09	24.00	27.85	33.00	30.00
2*10	27.00	30.85	36.00	33.00
2*11	30.00	33.85	39.00	36.00
2*12	33.00	36.85	42.00	39.00

- ① Series No.
- ② Category: H-HSG
- ③ Welding Board Angle: BOARD-IN: V-180°
- ④ Row No.-Pin No.: 2\*XX-2\*02P~2\*12P
- ⑤ Plug the Pin & special No.:
- ⑥ Material: LP-LCP 94V-0;
- ⑦ Plating Category: SN-Bright tin plating
- ⑧ Color: Blank-Natural Color

X3025 H V-2\*XX LP SN XX

- Specifications:
- Voltage rating: 250V AC / DC
  - Current rating: 5A AC / DC
  - Withstanding voltage: 1000V AC/minute
  - Temperature range: -25°C~+85°C
  - Insulation resistance: ≥1000MΩ
  - Contact resistance: ≤10mΩ
  - After environmental testing: ≤20mΩ

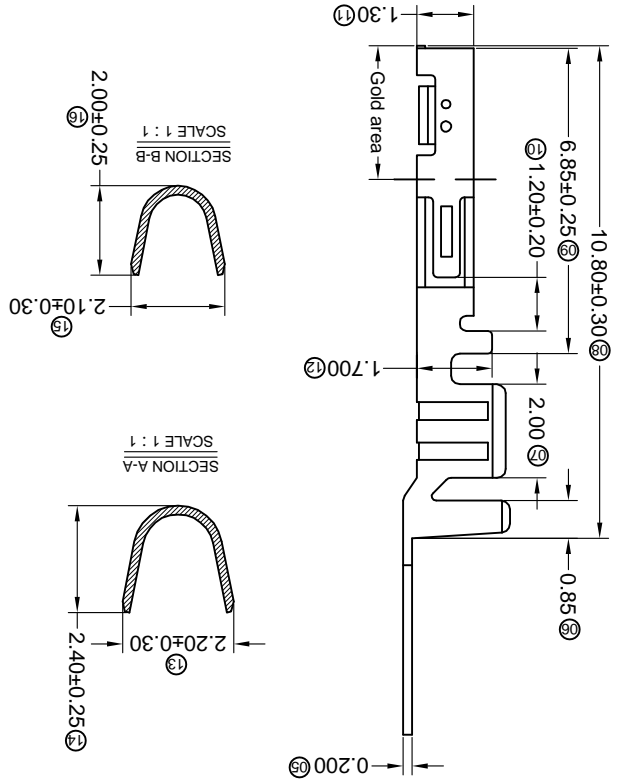
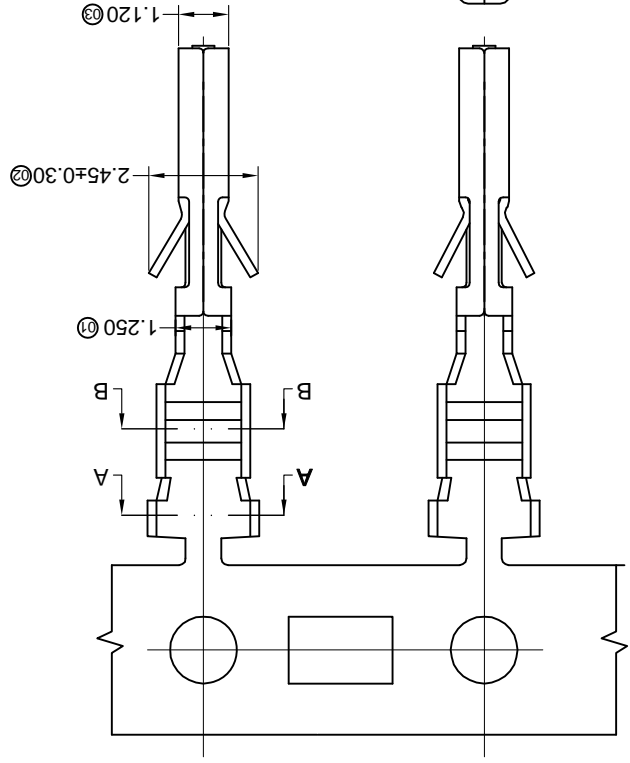
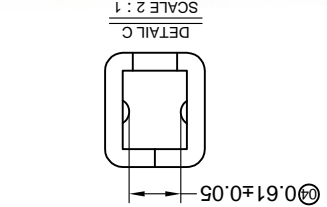
For and on behalf of  
**XKB INDUSTRIAL PRECISION CO., LIMITED**  
 香港星坤工業精密有限公司

REVISIONS  
 (Unauthorized Signatures)

MARK	DESCRIPTION	DATE	REVISED	APPROVED	UNSPECIFIED TOLERANCES
△ X					L > 63 ± 0.5
△ X					16 > L ≤ 63 ± 0.4
△ X					4 < L ≤ 16 ± 0.3
△ X					L ≤ 4 ± 0.2
					ANGULAR ± 5°

DATE	DATE	DATE	DATE	DATE	DATE
DNSD	DWN	CHKD	APPD		
SCALE: N/A	VIEW:	UNIT: mm	SIZE: A4		
MODEL TYPE: X3025TF-PXXX	PART NO.:	3.00 mm Crimp Style Connectors		DWG NO.:	
				WEIGHT: 1.0g	
				SHEET: 1/1	
				REVISION: A0	

PART NO	Material	Wire Range	Insulation O.D.	Finish	Used in XKB Housing
X3025TF-PG30	Phosphor Bronze	AWG#20-24	1.85mm(Max)	Stamping Before Plating:30~50u" Ni;Contact Area Gold:30u" Min.	X3025HM
X3025TF-PG15				Stamping Before Plating:30~50u" Ni;Contact Area Gold:15u" Min.	
X3025TF-PG01				Stamping Before Plating:30~50u" Ni;Contact Area Gold Flash	
X3025TF-PSN				Stamping Before Plating:30~50u" Ni;70~120u" Sn	



X3025 T F-P XX X-X  
 ① Series Number  
 ② Category: T-terminal  
 ③ Shape: F-Female Terminal  
 ④ Material: P-Phosphor bronze  
 ⑤ Plating style:  
 ⑥ G-Gold-Plated Contact  
 \*01-Gold Flash \*15-15u" \*30-30u"  
 SN-Bright tin plating 70-120u"  
 ⑦ Plating method:  
 Blank-Stamping before plating  
 ⑧ Mold No./Mark/Special No.

- Specifications :
- Voltage rating: 250V AC / DC
  - Current rating: 5A AC / DC
  - Withstanding voltage: 1000V AC/minute
  - Temperature range: -40°C~+85°C
  - Insulation resistance: ≥1000MΩ
  - Contact resistance: ≤10mΩ
  - After environmental testing: ≤20mΩ

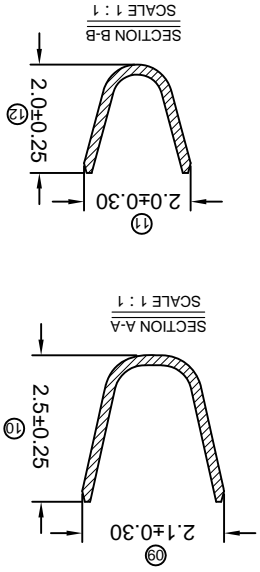
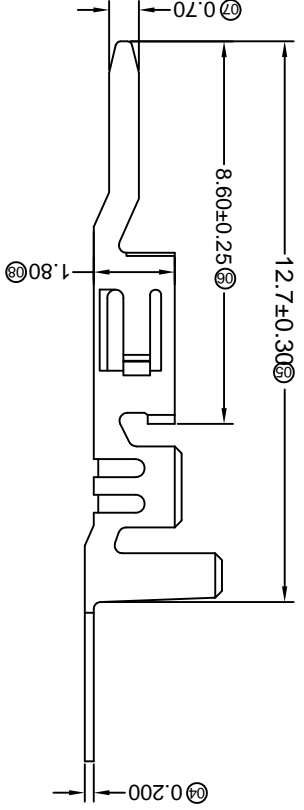
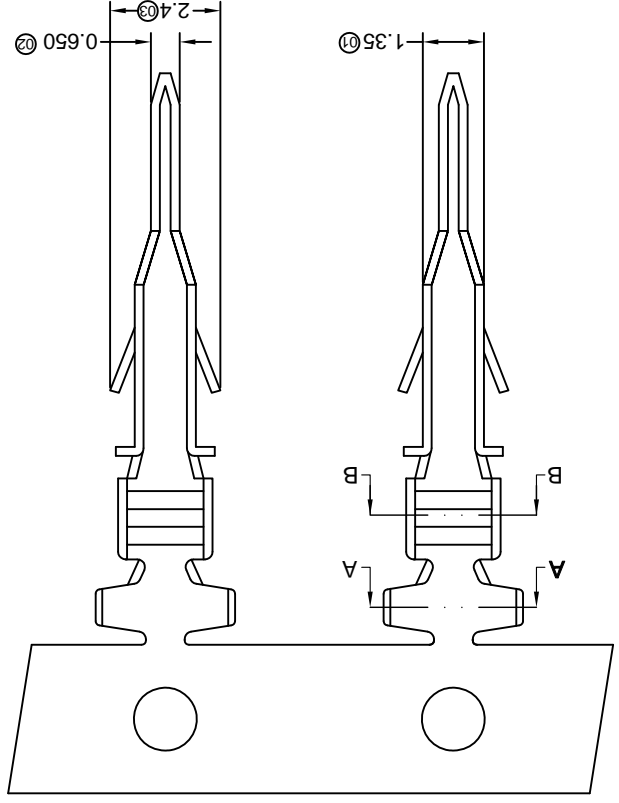
REVISIONS  
*Authorized Signature(s)*

For and on behalf of  
KKB INDUSTRIAL PRECISION CO., LIMITED  
香港星坤工業精密有限公司

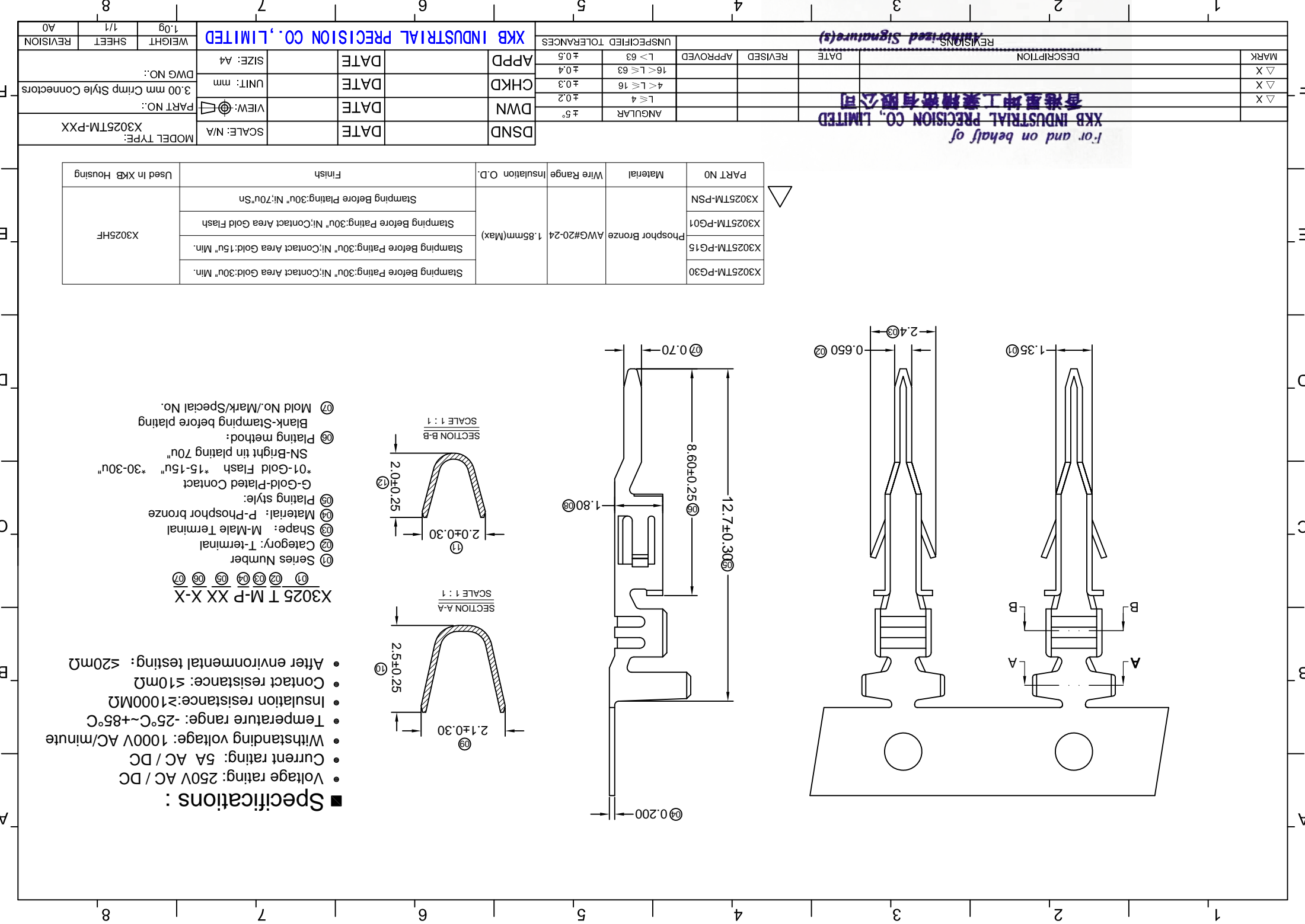
MARK	DESCRIPTION	DATE	REVISED	APPROVED	UNSPECIFIED TOLERANCES
△ X					L > 63 ± 0.5
△ X					16 > L ≤ 63 ± 0.4
△ X					4 < L ≤ 16 ± 0.3
△ X					L ≤ 4 ± 0.2
					ANGULAR ± 5°

DATE	SCALE: N/A	MODEL TYPE: X3025TM-PXX	DNSD	DATE	SCALE: N/A	MODEL TYPE: X3025TM-PXX
DATE	VIEW:	PART NO.:	DWN	DATE	VIEW:	PART NO.:
DATE	UNIT: mm	DWG NO.:	CHKD	DATE	UNIT: mm	DWG NO.:
DATE	SIZE: A4		APPD	DATE	SIZE: A4	

PART NO	Material	Wire Range	Insulation O.D.	Finish	Used in XKB Housing
X3025TM-PSN	Phosphor Bronze	AWG#20-24	1.85mm(Max)	Stamping Before Plating:30u" Ni;70u" Sn	X3025HF
X3025TM-PG01				Stamping Before Plating:30u" Ni;Contact Area Gold Flash	
X3025TM-PG15				Stamping Before Plating:30u" Ni;Contact Area Gold:15u" Min.	
X3025TM-PG30				Stamping Before Plating:30u" Ni;Contact Area Gold:30u" Min.	



- Specifications :
- Voltage rating: 250V AC / DC
  - Current rating: 5A AC / DC
  - Withstanding voltage: 1000V AC/minute
  - Temperature range: -25°C~+85°C
  - Insulation resistance: ≥1000MΩ
  - Contact resistance: ≤10mΩ
  - After environmental testing: ≤20mΩ
- X3025 T-M-P XX X-X
- ① Series Number
  - ② Category: T-terminal
  - ③ Shape: M-Male Terminal
  - ④ Material: P-Phosphor bronze
  - ⑤ Plating style: G-Gold-Plated Contact
  - ⑥ Plating method: SN-Bright tin plating 70u"
  - ⑦ \*01-Gold Flash \*15-15u" \*30-30u"
  - ⑧ Mold No./Mark/Special No.



For and on behalf of  
**KKB INDUSTRIAL PRECISION CO., LIMITED**  
 香港星坤工業精密有限公司

REVISIONS  
 (Authorized Signatures)

MARK	DESCRIPTION	DATE	REVISED	APPROVED	UNSPECIFIED TOLERANCES
△ X					L > 63 ± 0.5
△ X					16 > L ≤ 63 ± 0.4
△ X					4 < L ≤ 16 ± 0.3
△ X					L ≤ 4 ± 0.2
					ANGULAR ± 5°

DATE	DATE	DATE	DATE	DATE	DATE
SCALE: N/A	VIEW:	UNIT: mm	SIZE: A4	MODEL TYPE: X3025WR-2*XX-N0XXX	PART NO.: 3.00 mm Crimp Style Connectors
DWNG NO.:	REVISION	SHEET	WEIGHT	1.0g	8
		1/1			

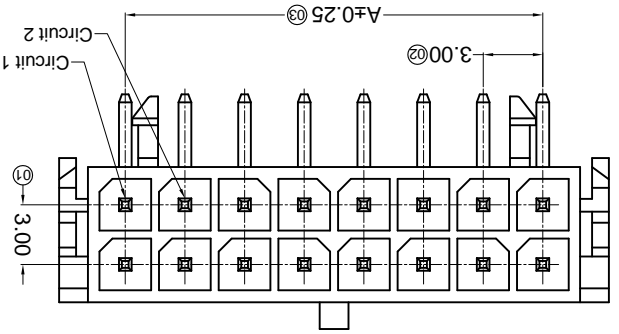
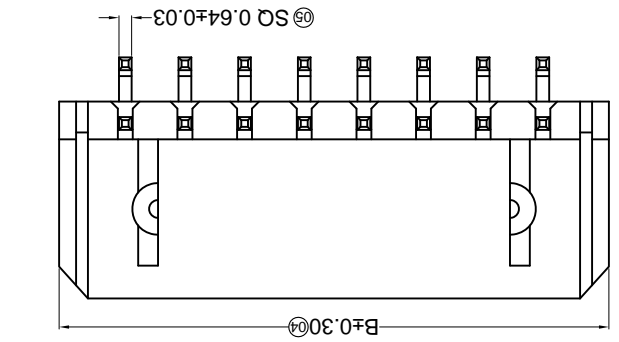
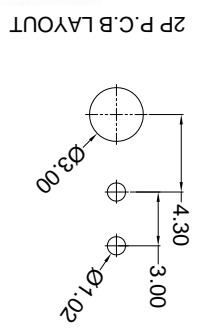
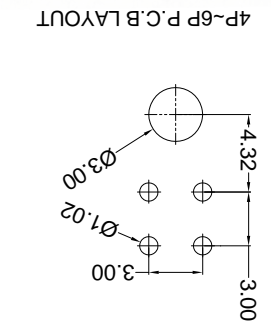
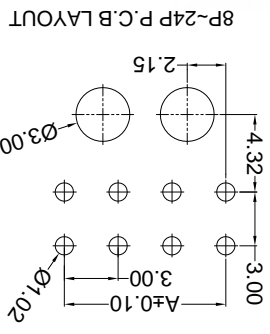
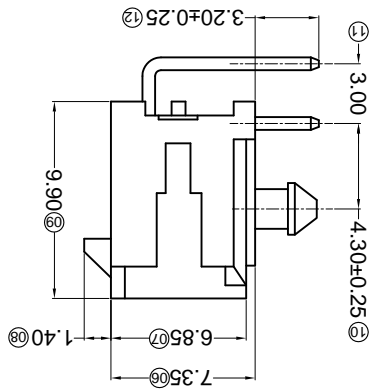
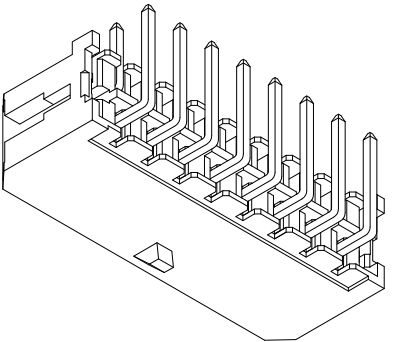
Part No.	Material	Material(Pin)	Finish(Pin)	Mates With KKB Housing
X3025WR-2*XX-46SN	PA46 UL 94V-0	Brass	Tin-Plated	X3025H
X3025WR-2*XX-46G01	PA46 UL 94V-0	Brass	Contact Gold	

Scale 1:3

Poles	Dimensions (mm)	
	A	B
2*01	---	6.65
2*02	3.00	9.65
2*03	6.00	12.65
2*04	9.00	15.65
2*05	12.00	18.65
2*06	15.00	21.65
2*07	18.00	24.65
2*08	21.00	27.65
2*09	24.00	30.65
2*10	27.00	33.65
2*11	30.00	36.65
2*12	33.00	39.65

- ① Series No.
- ② Category: W-water
- ③ Welding Board Angle: R-90°
- ④ Welding Way: Blank-DIP
- ⑤ Row No.-Pin No.: 2\*XX-2\*01P-2\*12P
- ⑥ Special NO.:
- ⑦ Material: 46-P46 94V-0
- ⑧ Planting Category: G01-Contact Gold Flash
- ⑨ Plating Category: SN-Bright tin plating
- ⑩ Color: Blank-natural color

- Specifications:
- Voltage rating: 250V AC / DC
  - Current rating: 5A AC / DC
  - Withstanding voltage: 1000V AC/minute
  - Temperature range: -25°C~+85°C
  - Insulation resistance: ≥1000MΩ
  - Contact resistance: ≤10mΩ
  - After environmental testing: ≤20mΩ



For and on behalf of  
**KXB INDUSTRIAL PRECISION CO., LIMITED**  
 香港星坤工業精密有限公司

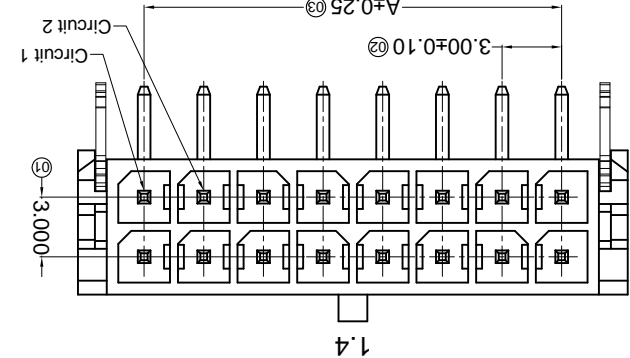
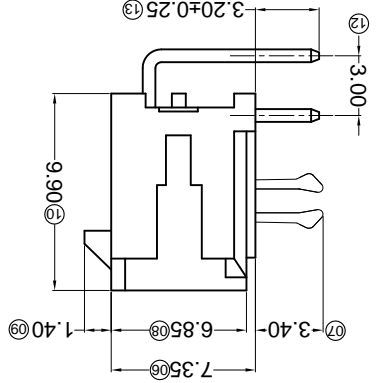
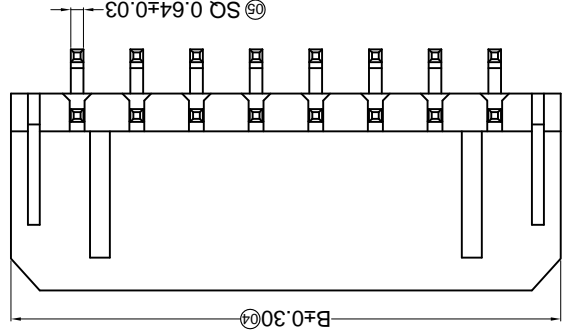
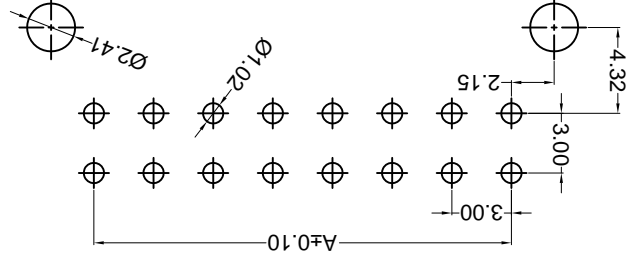
REVISIONS  
 Authorized Signature(s)

MARK	DESCRIPTION	DATE	REVISED	APPROVED	UNSPECIFIED TOLERANCES
△ X					L > 63 ± 0.5
△ X					16 > L ≤ 63 ± 0.4
△ X					4 < L ≤ 16 ± 0.3
△ X					L ≤ 4 ± 0.2
					ANGULAR ± 5°

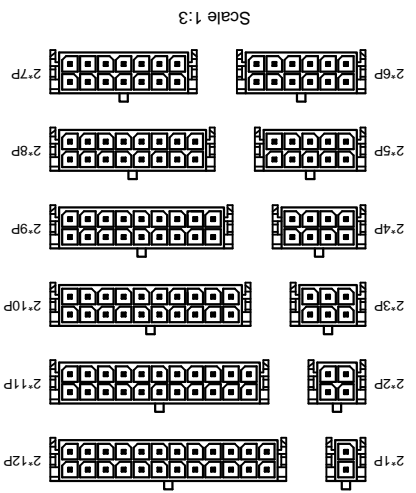
MARK	DESCRIPTION	DATE	REVISED	APPROVED	UNSPECIFIED TOLERANCES
△ X					L > 63 ± 0.5
△ X					16 > L ≤ 63 ± 0.4
△ X					4 < L ≤ 16 ± 0.3
△ X					L ≤ 4 ± 0.2
					ANGULAR ± 5°

MARK	DESCRIPTION	DATE	REVISED	APPROVED	UNSPECIFIED TOLERANCES
△ X					L > 63 ± 0.5
△ X					16 > L ≤ 63 ± 0.4
△ X					4 < L ≤ 16 ± 0.3
△ X					L ≤ 4 ± 0.2
					ANGULAR ± 5°

DSND	DATE	SCALE: N/A	MODEL TYPE: X3025WR-2*XXC-XXX
DWN	DATE	VIEW:	PART NO.: 3.00 mm Crimp Style Connectors
CHKD	DATE	UNIT: mm	DWG NO.:
APPD	DATE	SIZE: A4	WEIGHT: 1.0g
			SHEET: 1/1
			REVISION: A0



Part No.	Material	Material (Pin)	Finish (Pin)	Mates With (Pin)
X3025WR-2*XXC-66G2	Nylon 66 UL 94V-0	LCP UL 94V-0	Gold Flash	X3025H
X3025WR-2*XXC-LPSN	LCP UL 94V-0	LCP UL 94V-0	Tin-Plated	X3025H
X3025WR-2*XXC-46SN	Nylon 46 UL 94V-0	Nylon 46 UL 94V-0	Tin-Plated	X3025H
X3025WR-2*XXC-66SN	Nylon 66 UL 94V-0	Nylon 66 UL 94V-0	Tin-Plated	X3025H



Poles	Dimensions (mm)
2*01	3.00
2*02	6.00
2*03	9.00
2*04	12.00
2*05	15.00
2*06	18.00
2*07	21.00
2*08	24.00
2*09	27.00
2*10	30.00
2*11	33.00
2*12	36.00

- Specifications:**
- Voltage rating: 250V AC / DC
  - Current rating: 5A AC / DC
  - Withstanding voltage: 1000V AC/minute
  - Temperature range: -25°C~+85°C
  - Insulation resistance: ≥1000MΩ
  - Contact resistance: ≤10mΩ
  - After environmental testing: ≤20mΩ

- X3025 W R X-2\*XX C-XX XX XX
- ① Series No.
  - ② Category: W-water
  - ③ Welding Board Angle: R-90°
  - ④ Welding Way: Blank-DIP
  - ⑤ Row No.-Pin No.: 2\*XX-2\*01P~2\*12P
  - ⑥ Special NO.: C-The harpoon
  - ⑦ Material: 46-P A46 94V-0 66-P A66 94V-0 LP-LCP 94V-0
  - ⑧ Plating Category: G\*:Gold-Plated Contact \*02-2u"
  - ⑨ Color: Blank-natural color



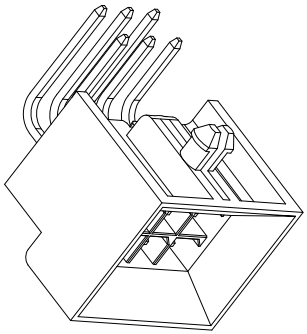
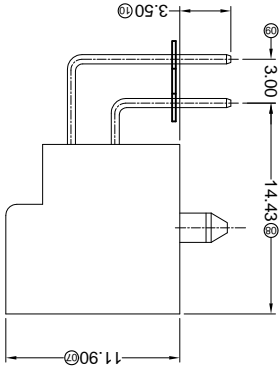
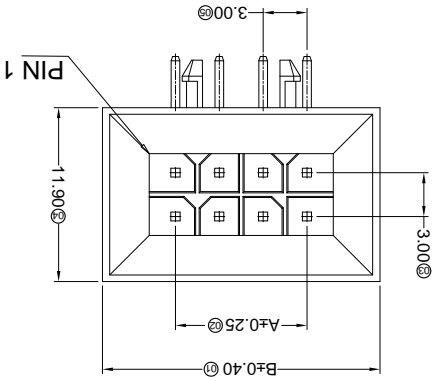
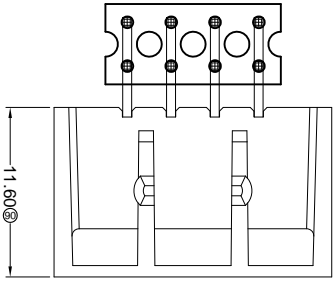
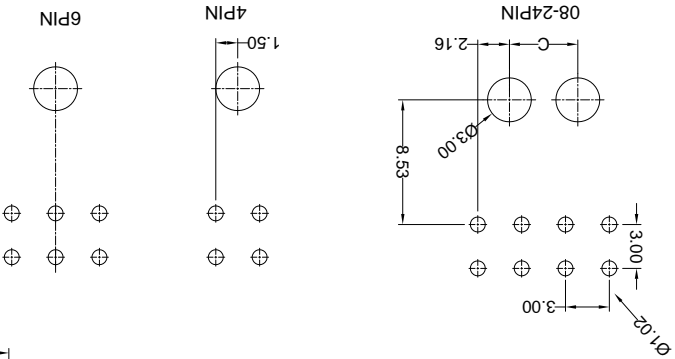
For and on behalf of  
**KXB INDUSTRIAL PRECISION CO., LIMITED**  
 香港星坤工業精密有限公司

REVISIONS  
 (Authorized Signatures)

MARK	DESCRIPTION	DATE	REVISED	APPROVED	UNSPECIFIED TOLERANCES
△ X					L > 63
△ X					16 < L ≤ 63
△ X					4 < L ≤ 16
△ X					L ≤ 4
					ANGULAR
					± 5°

DATE	DATE	DATE	DATE	DATE	DATE	DATE	DATE
DSND	DWN	CHKD	APPD				
SCALE: N/A	VIEW:	UNIT: mm	SIZE: A4				
MODEL TYPE: X3025WR-2*XXH-LPSN	PART NO.:	3.00 mm Crimp Style Connectors		DWG NO.:			
				WEIGHT	1.0g	SHEET	1/1
				REVISION			A0

**PCB LAYOUT : Component side**



Part No.	Material	Material(Pin)	Finish(Pin)	Mates With XKB Housing
X3025WR-2*XXH-LPSN	LCP UL 94V-0	Brass	Tin-Plated	X3025H

Poles	Dimensions (mm)		
	A	B	C
2*02	3.00	13.00	2*08
2*03	6.00	16.00	2*09
2*04	9.00	19.00	4.68
2*05	12.00	22.00	7.68
2*06	15.00	25.00	10.68
2*07	18.00	28.00	13.68

- Specifications :**
- Voltage rating: 250V AC / DC
  - Current rating: 5A AC / DC
  - Withstanding voltage: 1500V AC/minute
  - Temperature range: -25°C~+85°C
  - Insulation resistance: ≥1000MΩ
  - Contact resistance: ≤10mΩ
  - After environmental testing: ≤20mΩ
- X3025 WR X-2\*XX H-LP SN XX
- ① Series No.
  - ② Category: W-wafer
  - ③ Welding Board Angle: R-90°
  - ④ Welding Way: Blank-DIP
  - ⑤ Row No.-Pin No.: 2\*XX-2\*01P~2\*12P
  - ⑥ Special NO. : H-With Base and positioning column
  - ⑦ Material: LP-LCP 94V-0
  - ⑧ Planting Category: SN-Bright tin plating
  - ⑨ Color: Blank-natural color

For and on behalf of  
**KXB INDUSTRIAL PRECISION CO., LIMITED**  
 香港星坤工業精密有限公司

REVISIONS  
 Authorized Signatures(s)

MARK	DESCRIPTION	DATE	REVISED	APPROVED	UNSPECIFIED TOLERANCES
△ X					L > 63
△ X					16 < L ≤ 63
△ X					4 < L ≤ 16
△ X					L ≤ 4
					ANGULAR
					± 5°
					± 0.2
					± 0.3
					± 0.4
					± 0.5

REVISION	SHEET	WEIGHT	8
A0	1/1	1.0g	

DATE	SCALE: N/A	MODEL TYPE: X3025WRS-2*XXC-XXXX	7

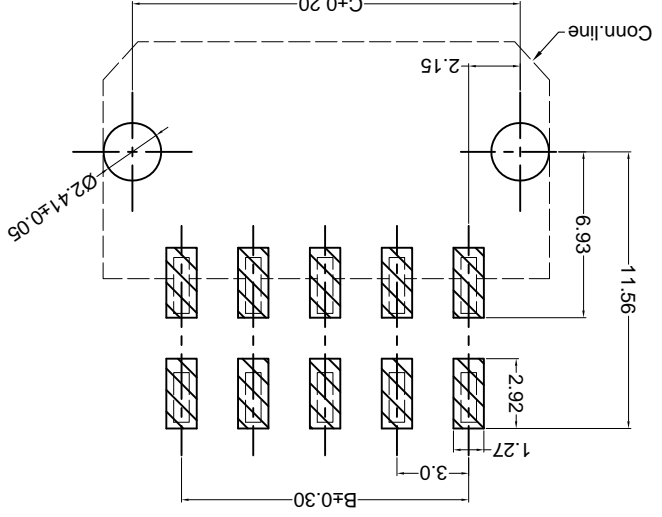
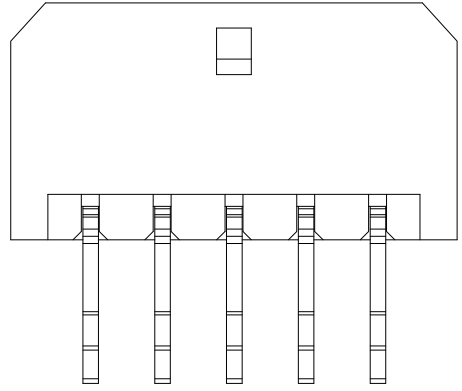
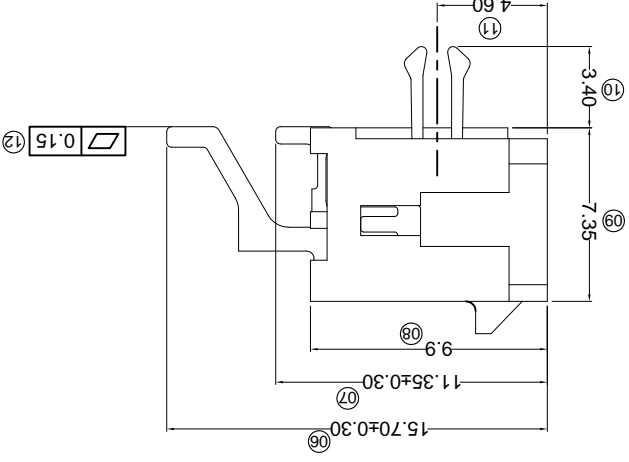
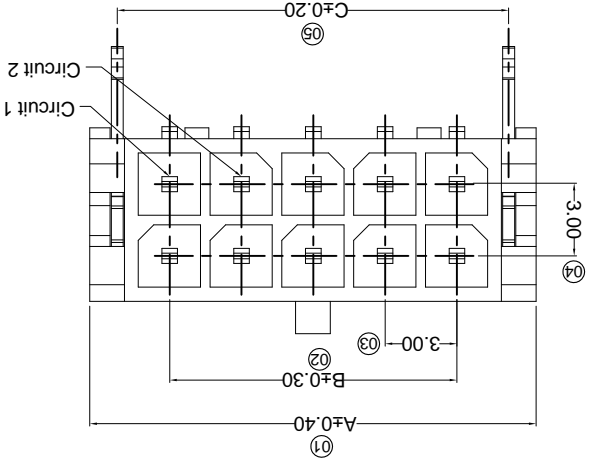
DATE	VIEW:	PART NO.: X3025WRS-2*XXC-XXXX	6

DATE	UNIT: mm	DWG NO.:	5
		3.00 mm Crimp Style Connectors <td></td>	

DATE	SIZE: A4	REVISION	4

DATE	APPD	CHKD	DWN	DNSD	3

PART NO	Material	Material(Pin)	Finish(Pin)	(Solder Tabs)	(Solder Tabs)	Mates With XKB Housing
X3025WRS-2*XXC-LPSW	LCP UL 94V-0	Brass	Ni:50u"Min; Sn:120u"Min	Brass	Finish Tabs	Mates With XKB Housing
X3025WRS-2*XXC-LPSN	LCP UL 94V-0	Brass	Ni:50u"Min; Sn:120u"Min	Brass	Tin-Plated	Mates With XKB Housing
X3025WRS-2*XXC-NOSN	PA66 UL 94V-0	Brass	Ni:50u"Min; Sn:120u"Min	Brass	Matte Tin Plating	Mates With XKB Housing



- Specifications :
- Voltage rating: 250V AC / DC
  - Current rating: 5A AC / DC
  - Withstanding voltage: 1000V AC/minute
  - Temperature range: -25°C~+85°C
  - Insulation resistance: ≥1000MΩ
  - Contact resistance: ≤10mΩ
  - After environmental testing: ≤20mΩ

X3025 W R S- 2\*XX C-XX XX XX  
 ① Series No.  
 ② Category: W-water  
 ③ Welding Board Angle: R-90°  
 ④ Welding Way: S-SMT  
 ⑤ Row No.-Pin No.: 2\*XX-Double row  
 ⑥ Special NO.: C-The harpoon  
 ⑦ Material: LP-LCP 94V-0  
 ⑧ Material: N0-PA66 94V-0  
 ⑨ Planting Category:  
 SN-Bright tin plating 70u"  
 SW-Fog Tin plating  
 Color:  
 ⑩ Blank-natural color

Poles	A	B	C
02	6.65	---	4.20
04	9.65	3.00	7.20
06	12.65	6.00	10.20
08	15.65	9.00	13.20
10	18.65	12.00	16.20
12	21.65	15.00	19.20
14	24.65	18.00	22.20
16	27.65	21.00	25.20
18	30.65	24.00	28.20
20	33.65	27.00	31.20
22	36.65	30.00	34.20
24	39.65	33.00	37.20

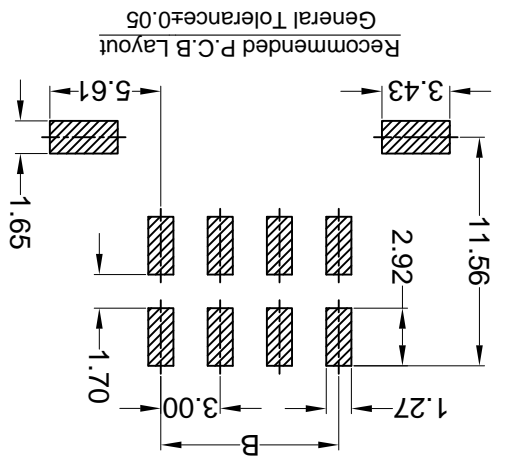
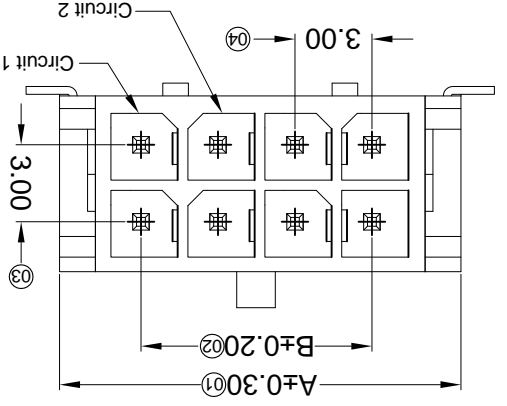
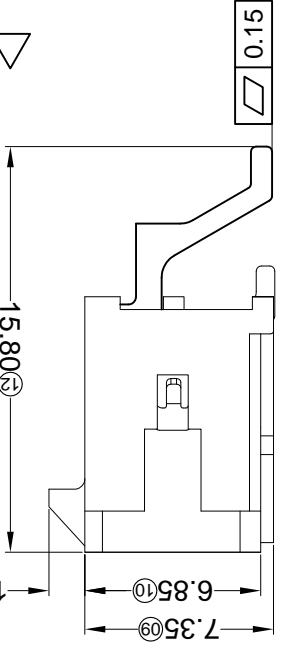
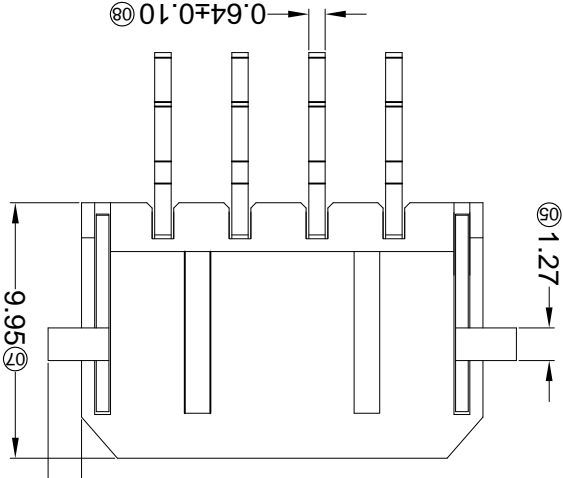
Dimensions(mm)

REVISIONS (Authorized Signature(s))

MARK	DESCRIPTION	DATE	REVISED	APPROVED	UNSPECIFIED TOLERANCES
△ X					L > 63 ± 0.5
△ X					16 < L ≤ 63 ± 0.4
△ X					4 < L ≤ 16 ± 0.3
△ X					L ≤ 4 ± 0.2
					ANGULAR ± 5°

For and on behalf of  
**XKB INDUSTRIAL PRECISION CO., LIMITED**  
 香港星坤工業精密有限公司

DATE	SCALE: N/A	MODEL TYPE: X3025WRS-2*XXD-XXXX	DATE	DATE	DATE	DATE	DATE	DATE	DATE
DNSD			DWN						
CHKD			APPD						



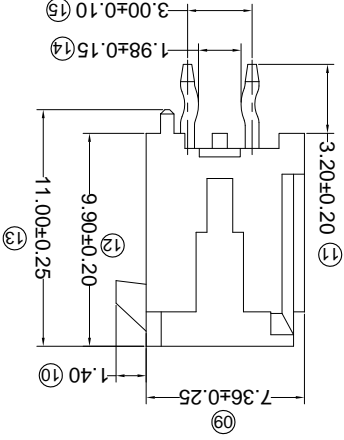
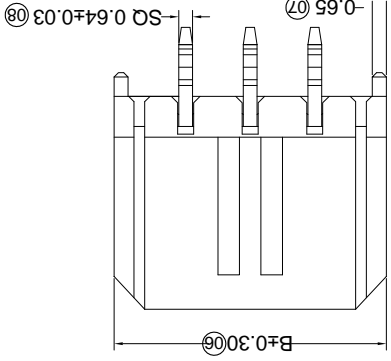
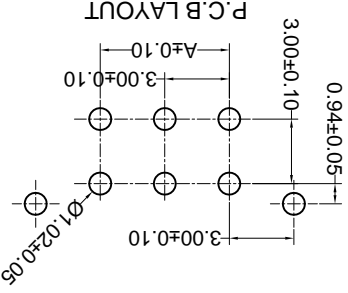
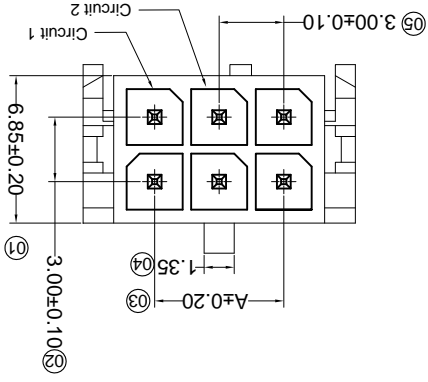
Dimensions (mm)	Poles		Dimensions (mm)		Poles	
	A	B	A	B	A	B
2*01	6.65	---	2*07	24.65	18.00	
2*02	9.65	3.00	2*08	27.65	21.00	
2*03	12.65	6.00	2*09	30.65	24.00	
2*04	15.65	9.00	2*10	33.65	27.00	
2*05	18.65	12.00	2*11	36.65	30.00	
2*06	21.65	15.00	2*12	39.65	33.00	

- ① Series No.
- ② Category: W-WAFER
- ③ Welding Board Angle: R-Straight 180°
- ④ Welding Way: S-SMT
- ⑤ Row No.-Pin No.: 2\*XX-2\*02P~2\*22P
- ⑥ Plug the Pin & Special No.: D-With Solder Tabs
- ⑦ Material: LP-LCP 94V-0
- ⑧ Plating Category: SN-Bright Tin Plating; G05-Contact Gold 5u"
- ⑨ SW-Fog Tin plating
- ⑩ Color : Blank-Natural Color

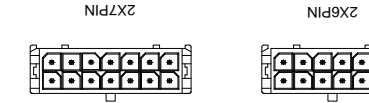
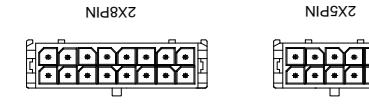
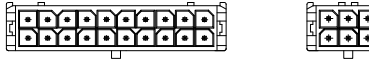
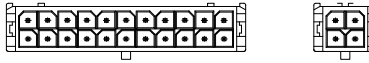
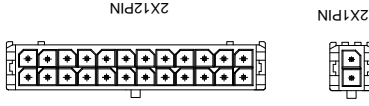
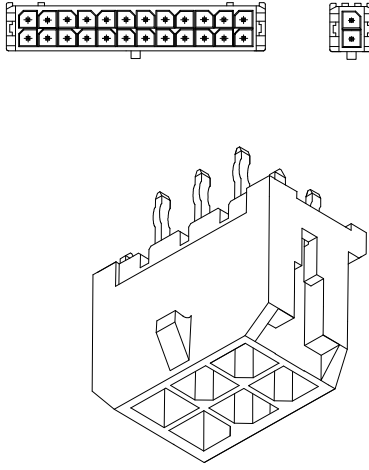
- Specifications :**
- Voltage rating: 250V AC / DC
  - Current rating: 5A AC / DC
  - Withstanding voltage: 1000V AC/minute
  - Temperature range: -25°C~+85°C
  - Insulation resistance: ≥1000MΩ
  - Contact resistance: ≤10mΩ
  - After environmental testing: ≤20mΩ

X3025 W R S-2\*XX D -LP XX XX

PART NO	Material	Material(Pin)	Finish(Pin)	Material (Solder Tabs)	Finish (Solder Tabs)	Mates With XKB Housing
X3025WRS-2*XXD-LPSW	LCP UL 94V-0	Brass	Matte tin	Brass	Tin-Plated	X3025H
X3025WRS-2*XXD-LPG06	LCP UL 94V-0	Brass	Ni:50u" Min; Sn:120u" Min; Contact Area Gold:5u" Min.	Brass	Tin-Plated	X3025H
X3025WRS-2*XXD-LPSN	LCP UL 94V-0	Brass	Tin-Plated	Brass	Tin-Plated	X3025H



PART NO	Material	Material(Pin)	Finish(Pin)	Mates With XKB Housing
X3025WV-2*XX-46V01	PA46 UL 94V-0	Brass	Tin-Plated	X3025H
X3025WV-2*XX-LP5N	LCP UL 94V-0			
X025WV-2*XX-66B5N	PA66 UL 94V-0			
X3025WV-2*XX-46S5N	PA46 UL 94V-0			
X3025WV-2*XX-PT5N	PBT UL 94V-0			
X3025WV-2*XX-PT5N	PBT UL 94V-0			



- Specifications :
- Voltage rating: 250V AC / DC
  - Current rating: 5A AC / DC
  - Withstanding voltage: 1000V AC/minute
  - Temperature range: -25°C~+85°C
  - Insulation resistance: ≥1000MΩ
  - Contact resistance: ≤10mΩ
  - After environmental testing: ≤20mΩ

X3025 W V X-2\*XX X-XX XX XX  
 ① ② ③ ④ ⑤ ⑥ ⑦ ⑧ ⑨

- ① Series No.
- ② Category: W-WAFER
- ③ Welding Board Angle: V-Straight 180°
- ④ Welding Way: Blank-DIP
- ⑤ Row No.-Pin No.: 2\*XX-2\*01P~2\*22P
- ⑥ Plug the Pin & Special No.:
- ⑦ Material: 66-PA66 94V-0; PT-PBT 94V-0; 46-PA46 94V-0 LP-LCP 94V-0
- ⑧ Plating Category: SN-Bright Tin Plating; V01-All Gold Flash
- ⑨ Color: Blank-Natural Color

Poles	Dimensions (mm)	
	A	B
2*01	---	6.65
2*02	3.00	9.65
2*03	6.00	12.65
2*04	9.00	15.65
2*05	12.00	18.65
2*06	15.00	21.65
2*07	18.00	24.65
2*08	21.00	27.65
2*09	24.00	30.65
2*10	27.00	33.65
2*11	30.00	36.65
2*12	33.00	39.65

For and on behalf of

XKB INDUSTRIAL PRECISION CO., LIMITED

香港星坤工業精密有限公司

REVISIONS

Unauthorized Signature(s)

MARK	DESCRIPTION	DATE	REVISED	APPROVED	UNSPECIFIED TOLERANCES
△ X					L > 63 ±0.5
△ X					16 < L ≤ 63 ±0.4
△ X					4 < L ≤ 16 ±0.3
					L ≤ 4 ±0.2
					ANGULAR ±5°

DSND	DATE	SCALE: N/A	MODEL TYPE: X3025WV-2*XX-XXXX
DWN	DATE <td>VIEW: </td> <td>PART NO.:</td>	VIEW:	PART NO.:
CHKD	DATE <td>UNIT: mm</td> <td>DWG NO.:</td>	UNIT: mm	DWG NO.:
APPD	DATE <td>SIZE: A4</td> <td></td>	SIZE: A4	
XKB INDUSTRIAL PRECISION CO., LIMITED			
WEIGHT	1.0g	SHEET	1/1
REVISION			A0

For and on behalf of  
**KXB INDUSTRIAL PRECISION CO., LIMITED**  
 香港星坤工業精密有限公司

Authorized Signatures

MARK	DESCRIPTION	DATE	REVISED	APPROVED	UNSPECIFIED TOLERANCES
△ X					L > 63
△ X					16 > L ≤ 63
△ X					4 < L ≤ 16
△ X					L ≤ 4
					ANGULAR
					± 5°

REVISIONS	DATE	REVISED	APPROVED	UNSPECIFIED TOLERANCES
				L > 63
				16 > L ≤ 63
				4 < L ≤ 16
				L ≤ 4
				ANGULAR
				± 5°

DSND	DATE	SCALE: N/A	MODEL TYPE: X3025WV-2*XXC-46SN
APPD <th>DATE</th> <th>VIEW: </th> <th>PART NO.: 300 mm Crimp Style Connectors</th>	DATE	VIEW:	PART NO.: 300 mm Crimp Style Connectors
CHKD <th>DATE</th> <th>UNIT: mm</th> <th>DWG NO.:</th>	DATE	UNIT: mm	DWG NO.:
SIZE: A4 <th>DATE</th> <th>DATE</th> <th>REVISION</th>	DATE	DATE	REVISION

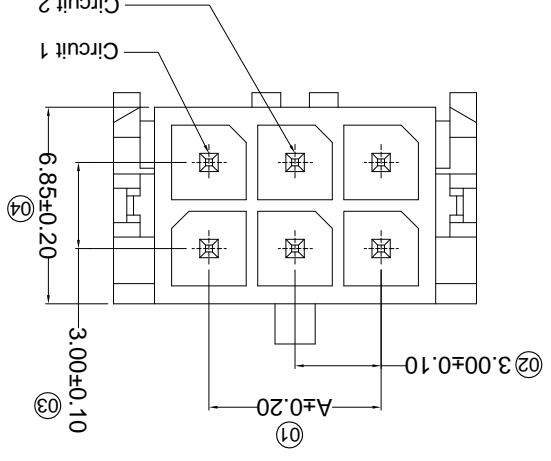
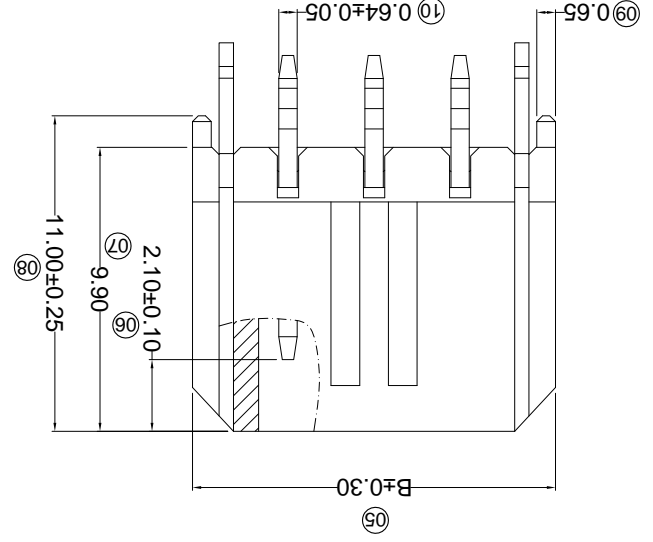
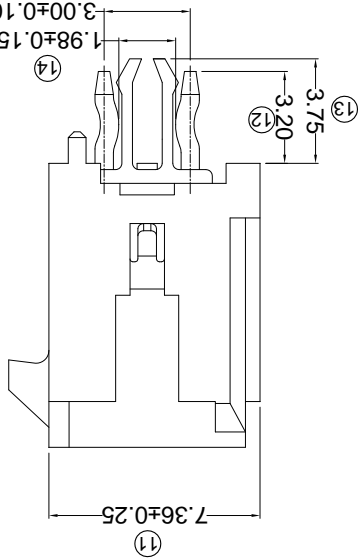
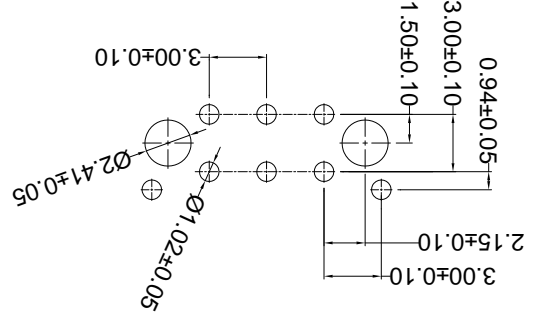
PART NO	Material	Material(Pin)	Finish(Pin)	Mates With XKB Housing
X3025WV-2*XXC-LPSW	LCP UL 94V-0	Brass	Tin Plating Fog	X3025H
X3025WV-2*XXC-46SN	PA46 UL 94V-0			

Dimensions (mm)	Poles
24	A
22	B
20	
18	
16	
14	
12	
10	
08	
06	
04	
02	

Specifications:

- Voltage rating: 250V AC / DC
- Current rating: 5A AC / DC
- Withstanding voltage: 1000V AC/minute
- Temperature range: -25°C~+85°C
- Insulation resistance: ≥1000MΩ
- Contact resistance: ≤10mΩ
- After environmental testing: ≤20mΩ

P.C.B LAYOUT



REVISIONS  
*Authorized Signatures*

MARK	DESCRIPTION	DATE	REVISED	APPROVED	UNSPECIFIED TOLERANCES
△ X					L > 63
△ X					16 < L ≤ 63
△ X					4 < L ≤ 16
△ X					L ≤ 4
					ANGULAR
					± 5°

For and on behalf of  
**XKB INDUSTRIAL PRECISION CO., LIMITED**  
香港星坤工業精密有限公司

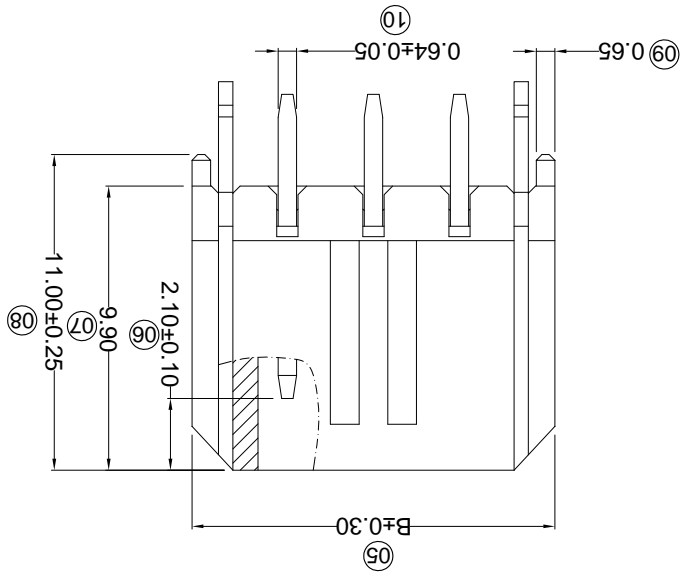
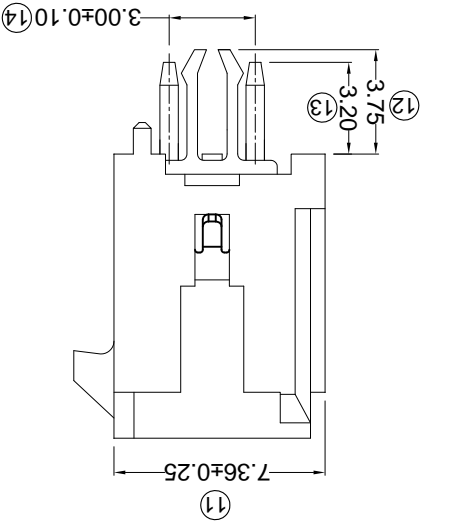
**XKB INDUSTRIAL PRECISION CO., LIMITED**

WEIGHT	1.0g
SHEET	1/1
REVISION	A0
DATE	
DATE	
DATE	
SCALE: N/A	
MODEL TYPE: X3025WV-2*XXCN-LPSN	
PART NO.:	
3.00 mm Crimp Style Connectors	
DWG NO.:	
SIZE: A4	

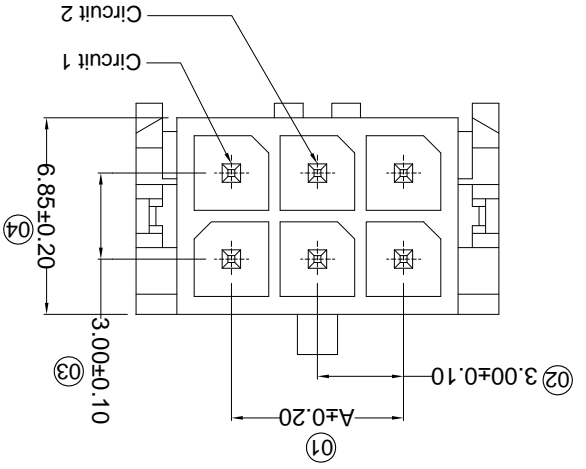
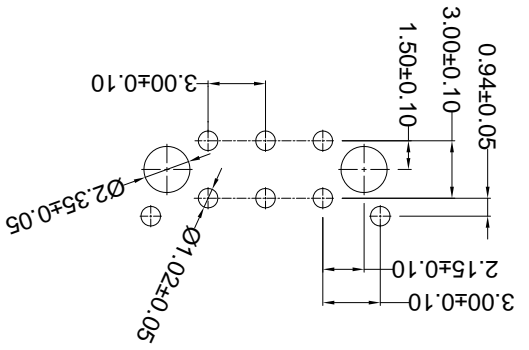
PART NO	Material	Material(Pin)	Finish(Pin)	Mates With XKB Housing
X3025WV-2*XXCN-LPSN	LCP UL 94V-0	Brass	Tin-Plated	X3025H

Poles	A	B
02	--	6.65
04	3.00	9.65
06	6.00	12.65
08	9.00	15.65
10	12.00	18.65
12	15.00	21.65
14	18.00	24.65
16	21.00	27.65
18	24.00	30.65
20	27.00	33.65
22	30.00	36.65
24	33.00	39.65

- ① Series No. X3025 W V X-2\*XX CN-LP SN XX
- ② Category: W-water
- ③ Welding Board Angle: V-180°
- ④ Welding Way: Blank-DIP
- ⑤ Row No.-Pin No. 2\*XX-Double row
- ⑥ Special NO. C-The harpoon N-without K the feet
- ⑦ Material: LP-LCP 94V-0
- ⑧ Plating Category: V\*\*All Gold-Plated
- ⑨ Color: SN-Bright tin plating 70u" ; \*1-10u" ; \*15-15u" ; \*30-30u" ; \*50-50u" ; \*01-Gold Flash ; \*02-2u" ; \*03-3u" ; \*05-5u"
- ⑩ SW-Fog Tin plating
- ⑪ Blank-natural color



P.C.B LAYOUT



- Specifications :
- Voltage rating: 250V AC / DC
  - Current rating: 5A AC / DC
  - Withstanding voltage: 1000V AC/minute
  - Temperature range: -25°C~+85°C
  - Insulation resistance: ≥1000MΩ
  - Contact resistance: ≤10mΩ
  - After environmental testing: ≤20mΩ

For and on behalf of  
**KXB INDUSTRIAL PRECISION CO., LIMITED**  
 香港星坤工業精密有限公司

Authorized Signatures

MARK	DESCRIPTION	DATE	REVISED	APPROVED	UNSPECIFIED TOLERANCES
△ X					L > 63
△ X					16 < L ≤ 63
△ X					4 < L ≤ 16
△ X					L ≤ 4
					ANGULAR
					± 5°

REVISIONS	DATE	REVISED	APPROVED	UNSPECIFIED TOLERANCES
				L > 63
				16 < L ≤ 63
				4 < L ≤ 16
				L ≤ 4
				ANGULAR
				± 5°

Part No.	Material	Material(Pin)	Finish(Pin)	Tin-Plated	Part No.
X3025WV-2*XXH-LPSN	LCP UL 94V-0	Brass			X3025H

Part No.	Material	Material(Pin)	Finish(Pin)	Tin-Plated	Part No.
X3025WV-2*XXH-LPSN	LCP UL 94V-0	Brass			X3025H

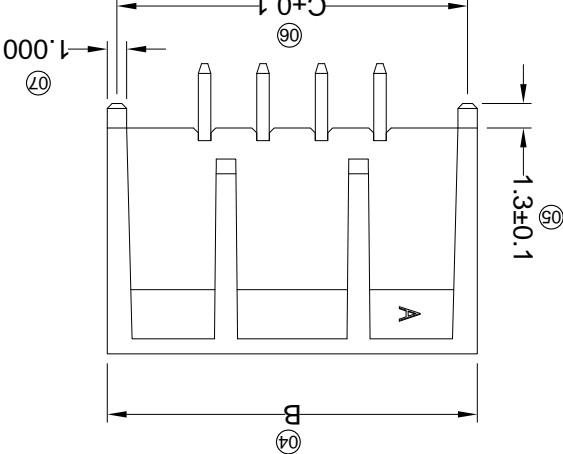
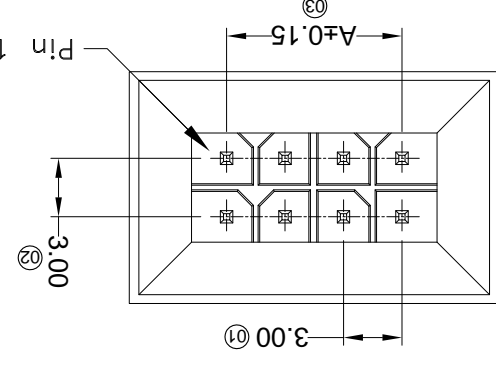
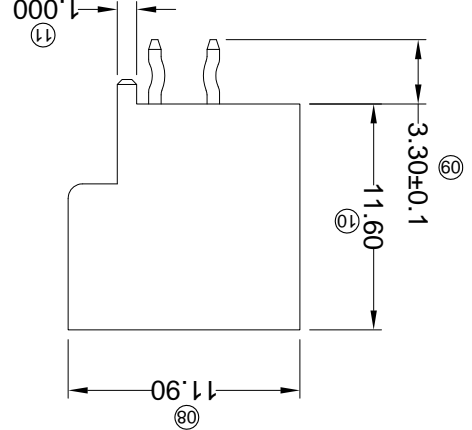
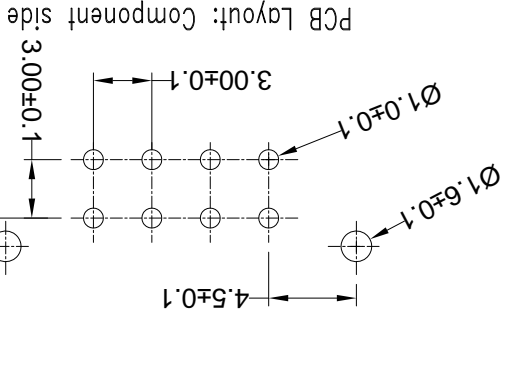
Dimensions (mm)	A	B	C
04	3.00	13.00	12.00
06	6.00	16.00	15.00
08	9.00	19.00	18.00
10	12.00	22.00	21.00
12	15.00	25.00	24.00
14	18.00	28.00	27.00
16	21.00	31.00	30.00
18	24.00	34.00	33.00
20	27.00	37.00	36.00
22	30.00	40.00	39.00
24	33.00	43.00	42.00

DATE	SCALE: N/A	VIEW:	UNIT: mm	SIZE: A4

MODEL TYPE:	SCALE: N/A	VIEW:	UNIT: mm	SIZE: A4
X3025WV-2*XXH-LPSN				

- Specifications :**
- Voltage rating: 250V AC / DC
  - Current rating: 5A AC / DC
  - Withstanding voltage: 1000V AC/minute
  - Temperature range: -25°C~+85°C
  - Insulation resistance: ≥1000MΩ
  - Contact resistance: ≤10mΩ
  - After environmental testing: ≤20mΩ

X3025W V X-2\*XXH-LPSNXX  
 ① Series No.  
 ② Category: W-water  
 ③ Welding Board Angle: V-180°  
 ④ Welding Way: Blank-DIP  
 ⑤ Row No.-Pin No.  
 ⑥ 2\*XX-Double row  
 ⑦ Special NO.  
 ⑧ H-Arrange ushering with positioning column  
 ⑦ Material:  
 LP-LCP 94V-0  
 ⑧ Planting Category:  
 V\*\* : All Gold-Plated  
 G\*\* : Gold-Plated Contact  
 \*01-Gold Flash ; \*02-2u" ; \*03-3u" ; \*05-5u"  
 \*10-10u" ; \*15-15u" ; \*30-30u" ; \*50-50u"  
 SN-Bright tin plating 70u"  
 SN1-Bright tin plating 120u"Min. ;  
 SW-Fog Tin plating  
 Color: Blank-natural color



REVISIONS  
 (Authorized Signatures)

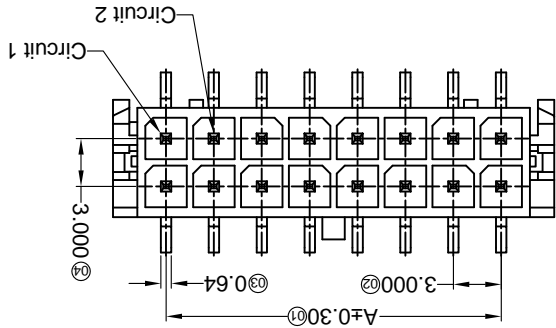
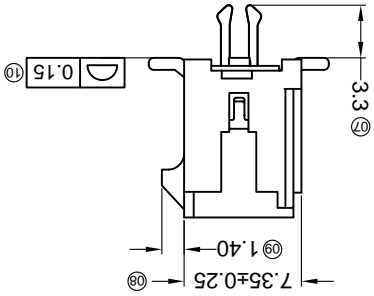
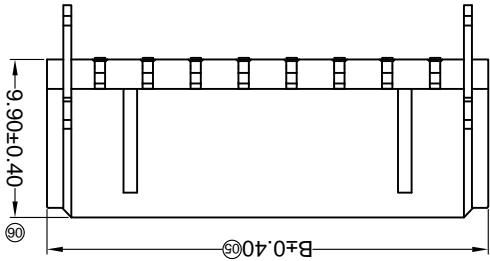
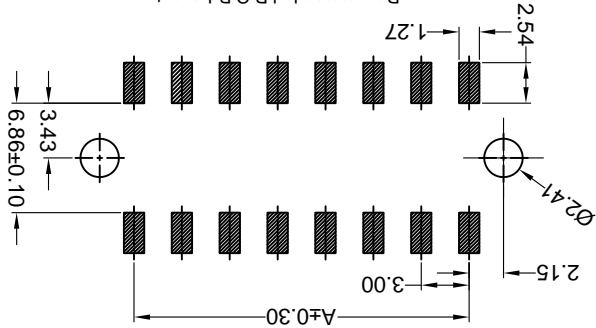
MARK	DESCRIPTION	DATE	REVISED	APPROVED	UNSPECIFIED TOLERANCES
△ X					L > 63
△ X					16 < L ≤ 63
△ X					4 < L ≤ 16
△ X					L ≤ 4
					ANGULAR
					± 5°

For and on behalf of  
**XKB INDUSTRIAL PRECISION CO., LIMITED**  
 香港星坤工業精密有限公司

**XKB INDUSTRIAL PRECISION CO., LIMITED**

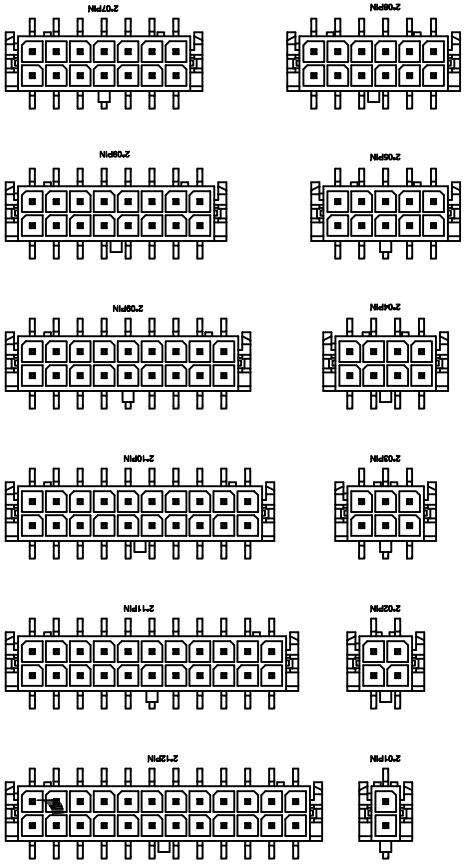
WEIGHT	1.0g
SHEET	1/1
REVISION	A0
SIZE:	A4
DATE:	
UNIT:	mm
VIEW:	
SCALE:	N/A
MODEL TYPE:	X3025WVS-2*XXC-LPSW
PART NO.:	
3.00 mm Crimp Style Connectors	
DWG NO.:	

Recommended P.C.B Layout  
 General Tolerance±0.05



PART NO	Material	Material(Pin)	Finish(Pin)	(Solder Tabs) Material	Finish (Solder Tabs)	Mates With XKB Housing
X3025WVS-2*XXC-LPSN	LCP UL 94V-0	Brass	Tin-Plated	Material	Tin-Plated	X3025H
X3025WVS-2*XXC-LPSW	LCP UL 94V-0	Brass	Matte tin	Material	Matte tin	

Poles	Dimensions(mm)		Poles		Dimensions(mm)	
	A	B	A	B	A	B
2*01	---	6.65	2*07	18.00	24.65	39.65
2*02	3.00	9.65	2*08	21.00	27.65	30.65
2*03	6.00	12.65	2*09	24.00	30.65	36.65
2*04	9.00	15.65	2*10	27.00	33.65	39.65
2*05	12.00	18.65	2*11	30.00	36.65	39.65
2*06	15.00	21.65	2*12	33.00	39.65	39.65



- ① Series No.  
 ② Category: W-water  
 ③ Welding Board Angle: V- Straight 180°  
 ④ Welding Way: S-SMT  
 ⑤ Row No-Pin No.: 2\*XX-2\*01P~2\*12P  
 ⑥ Plug the Pin & Special No.: C-The Harpoon  
 ⑦ Material: LP-LCP 94V-0  
 ⑧ Plating Category:  
 ⑨ SN-Bright tin plating : SW-Matte Tin plating  
 ⑩ Color: Blank-Natural color

X3025 W V S-2\*XX C-LP XX XX

- Specifications :
- Voltage rating: 250V AC / DC
  - Current rating: 5A AC / DC
  - Withstanding voltage: 1000V AC/minute
  - Temperature range: -25°C~+85°C
  - Insulation resistance: ≥1000MΩ
  - Contact resistance: ≤10mΩ
  - After environmental testing: ≤20mΩ



REVISIONS  
*Authorized Signature(s)*

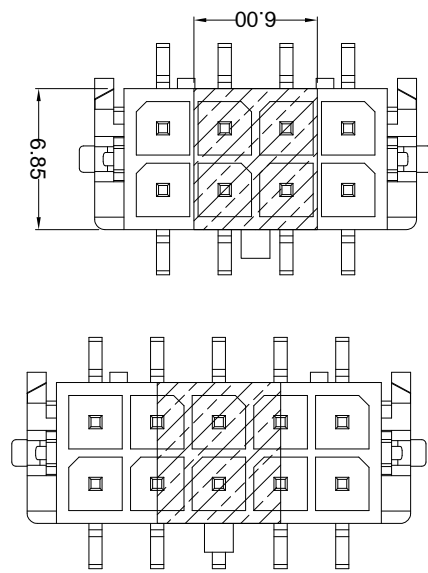
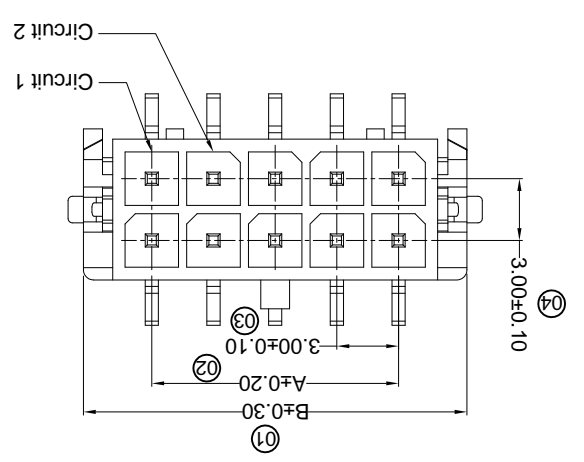
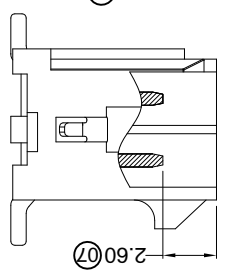
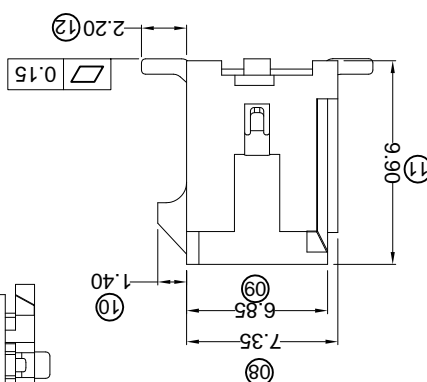
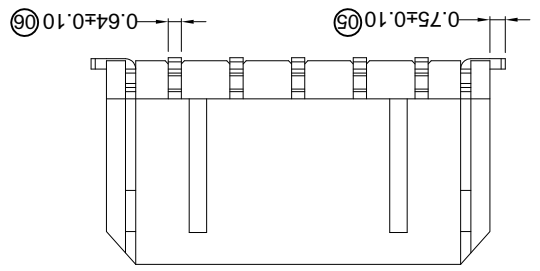
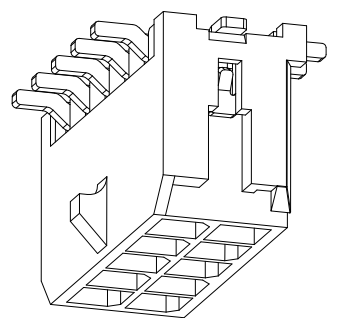
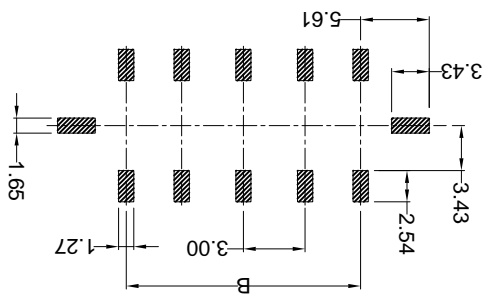
MARK	DESCRIPTION	DATE	REVISED	APPROVED	UNSPECIFIED TOLERANCES
△ X					L > 63
△ X					16 > L ≤ 63
△ X					4 < L ≤ 16
					L ≤ 4
					ANGULAR
					± 5°

For and on behalf of  
**XKB INDUSTRIAL PRECISION CO., LIMITED**  
 香港星坤工業精密有限公司

**XKB INDUSTRIAL PRECISION CO., LIMITED**

WEIGHT	1.0g
SHEET	1/1
REVISION	A0
SIZE:	A4
UNIT:	mm
VIEW:	
SCALE:	N/A
MODEL TYPE:	X3025WVS-2*XXD-LPSW
PART NO.:	
DWG NO.:	3.00 mm Crimp Style Connectors

P.C.B. LAYOUT



PART NO	Material	Material(Pin)	Finish(Pin)	Dimensions(mm)	
				A	B
X3025WVS-2*XXD-LPSW	LCP UL 94V-0	Brass	Matte tin	2*06	2*01
		Brass	Matte tin	2*05	2*07
		Brass	Matte tin	2*04	2*08
		Brass	Matte tin	2*03	2*09
		Brass	Matte tin	2*02	2*10
		Brass	Matte tin	2*01	2*11
		Brass	Matte tin	2*06	2*12

- ① Series No.
- ② Category: W-water
- ③ Weiding Board Angle: V- Stright 180°
- ④ Weiding Way: S-SMT
- ⑤ Row No.-Pin No.: 2\*XX-2\*01P-2\*12P
- ⑥ Plug the Pin & Special No.: D-Solder Tabs
- ⑦ Material: LP-LCP 94V-0
- ⑧ Planting Category:
- ⑨ SN-Bright tin plating ; SW-Matte Tin plating
- ⑩ Color: Blank-Natural color

- Specifications :
- Voltage rating: 250V AC / DC
  - Current rating: 5A AC / DC
  - Withstanding voltage: 1000V AC/minute
  - Temperature range: -25°C~+85°C
  - Insulation resistance: ≥1000MΩ
  - Contact resistance: ≤10mΩ
  - After environmental testing: ≤20mΩ

X3025 W V S-2\*XX D-LP XX XX

## X-ON Electronics

Largest Supplier of Electrical and Electronic Components

*Click to view similar products for [Headers & Wire Housings](#) category:*

*Click to view products by [XKB](#) manufacturer:*

Other Similar products are found below :

[95000-104TRLF](#) [10135584-644402LF](#) [DF62W-EP2022PCA](#) [95000-106TRLF](#) [DF62W-2022SCA](#) [DF62W-EP2022PC](#) [2203348](#) [DF62W-2022SC](#) [1084018](#) [1029039](#) [1084017](#) [802-10-012-10-002000](#) [1112640](#) [1112639](#) [891-007-9SS-BST1T](#) [000-34000](#) [0008550134](#) [0009482033](#) [0009507031](#) [57102-F02-18ULF](#) [57102-S06-03LF](#) [57202-S52-04LF](#) [PCN6-15S-2.5E](#) [0039019024](#) [58102-G61-06LF](#) [582553-1](#) [0009485154](#) [0009508121](#) [0022285053](#) [0050291907](#) [018731A](#) [LY20-4P-DT1-P1E-BR](#) [02.125.8002.8](#) [60101931](#) [60598-1 \(Cut Strip\)](#) [M1625-3R/100](#) [61062-3](#) [61082-181009](#) [CSU011177004](#) [636-1427](#) [638009-1](#) [641938-9](#) [641991-4](#) [644168-1](#) [644827-2](#) [647662-1](#) [65039-019ELF](#) [65692-001LF](#) [65781-018](#) [65781-047](#)