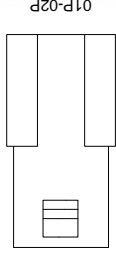
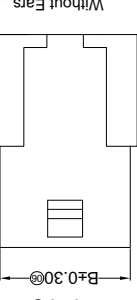
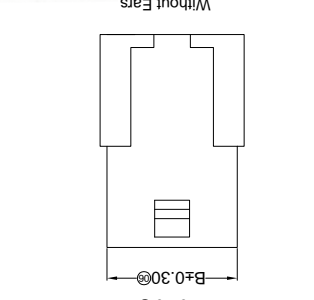
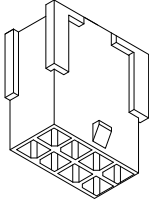
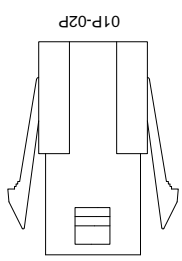
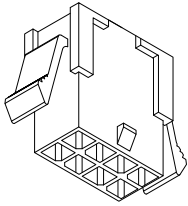
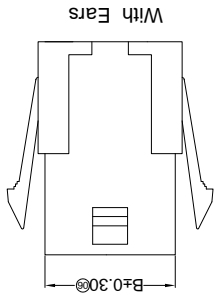
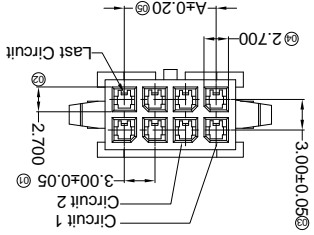


**RoHS**  
Lead-free



01P-02P

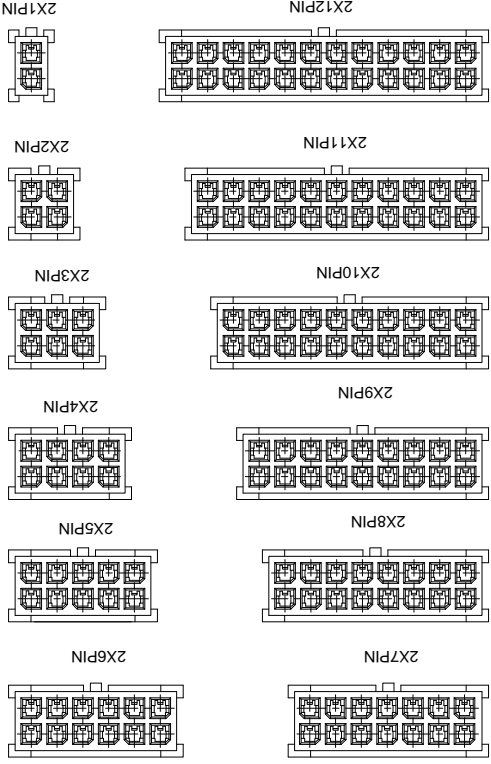
*For and on behalf of*  
**XKB INDUSTRIAL PRECISION CO., LIMITED**  
香港星坤工業精密有限公司

MARK	DESCRIPTION	DATE	REVISED	APPROVED	UNSPECIFIED TOLERANCES
△ X					L > 63 ±0.5
△ X					16 < L ≤ 63 ±0.4
△ X					4 < L ≤ 16 ±0.3
△ X					L ≤ 4 ±0.2
					ANGULAR ±5°

REVISIONS  
*(Unauthorized Signatures)*

PART NO	Material	Suitable SWB Terminal	Mates With XKB Housing	Note
X3025HF-2*XXG-N2	Nylon 66 94V-2	X3025TM	X3025HM	With Ears
X3025HF-2*XXI-N2	Nylon 66 94V-2	X3025TM		Without Ears

Poles	Dimensions(mm)		Poles	Dimensions(mm)	
	A	B		A	B
2*01	18.00	22.00	2*07	4.00	2.07
2*02	3.00	7.00	2*08	7.00	2.08
2*03	6.00	10.00	2*09	10.00	2.09
2*04	9.00	13.00	2*10	13.00	2.10
2*05	12.00	16.00	2*11	16.00	2.11
2*06	15.00	19.00	2*12	19.00	2.12



**Specifications :**

- Voltage rating: 250V AC / DC
- Current rating: 5A AC / DC
- Withstanding voltage: 1000V AC/minute
- Temperature range: -25°C~+85°C
- Insulation resistance: ≥1000MΩ
- Contact resistance: ≤10mΩ
- After environmental testing: ≤20mΩ

X3025 H F-2\*XX XX-N2 XX

- Series No.
- Category: H-HSG
- Welding Board Angle: F-Female HSG
- Row No.-Pin No.: 2\*XX-2\*01P-2\*12P
- Plug the Pin & special No.: I-Without Ears G-With Ears
- Material: N2-PA66 94V-2;
- Color: Blank-Natural Color

DSND	DATE	SCALE: N/A	MODEL TYPE: X3025HF-2*XXX-N2
DWN	DATE <td>VIEW: </td> <td>PART NO.:</td>	VIEW:	PART NO.:
CHKD	DATE <td>UNIT: mm</td> <td>3.00 mm Crimp Style Connectors</td>	UNIT: mm	3.00 mm Crimp Style Connectors
APPD	DATE <td>SIZE: A4</td> <td>DWG NO.:</td>	SIZE: A4	DWG NO.:

**XKB INDUSTRIAL PRECISION CO., LIMITED**

WEIGHT	SHEET	REVISION
1.0g	1/1	A0

A B C D E F

8 7 6 5 4 3 2 1

Authorized Signatures

For and on behalf of  
**KXB INDUSTRIAL PRECISION CO., LIMITED**  
 香港星坤工業精密有限公司

MARK	DESCRIPTION	DATE	REVISIONS	APPROVED	REVISOR	REVISIONS
△ X						
△ X						
△ X						

UNSPECIFIED TOLERANCES	DATE	APPROVED	REVISOR	REVISIONS
L > 63				
16 < L ≤ 63				
4 < L ≤ 16				
L ≤ 4				
ANGULAR				

DATE	DESCRIPTION	DATE	DESCRIPTION

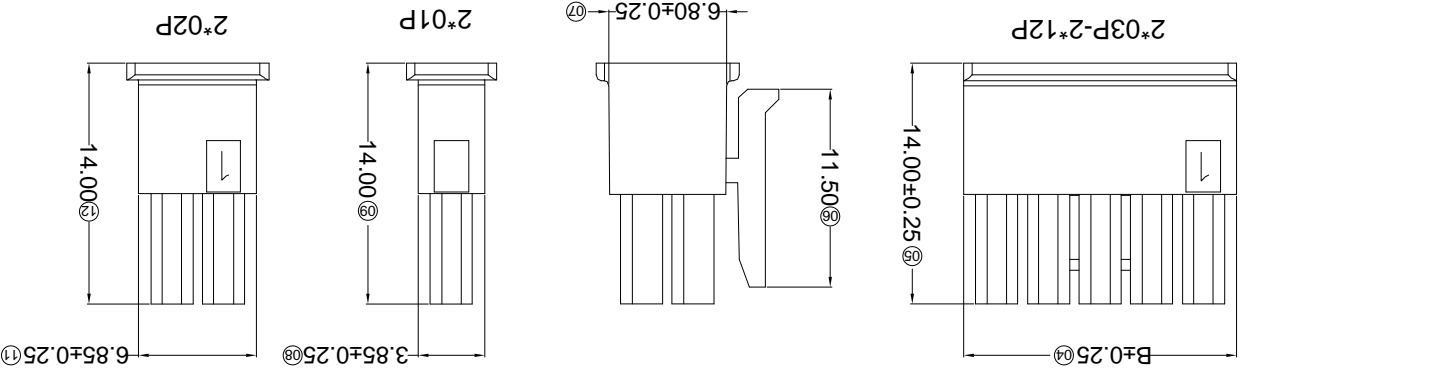
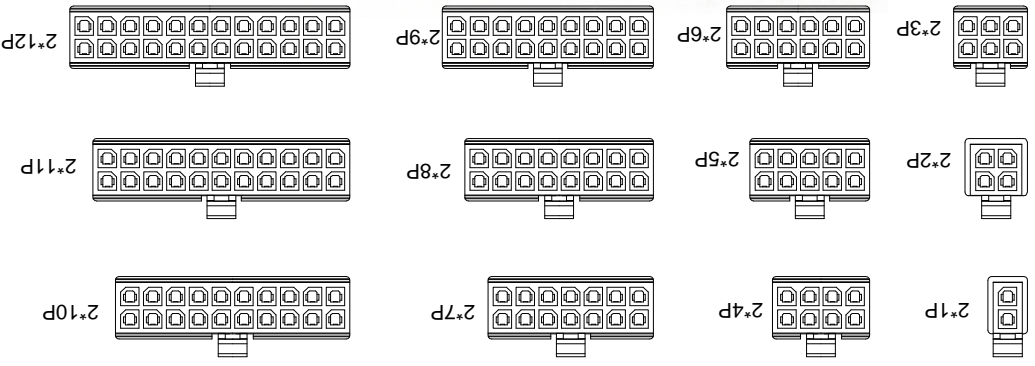
DATE	DESCRIPTION	DATE	DESCRIPTION

DATE	DESCRIPTION	DATE	DESCRIPTION

SCALE: N/A	VIEW:	UNIT: mm	SIZE: A4
MODEL TYPE: X3025HM-2*XX-N2	PART NO.: X3025HM-2*XX-N2	DWG NO.: 3.00 mm Crimp Style Connectors	
WEIGHT: 1.0g	SHEET: 1/1	REVISION: A0	

PART NO	Material	Suitable SWB Terminal	Mates With XKB Water
X3025HM-2*XX-N2	Nylon 66 94V-2	X3025TF	X3025W

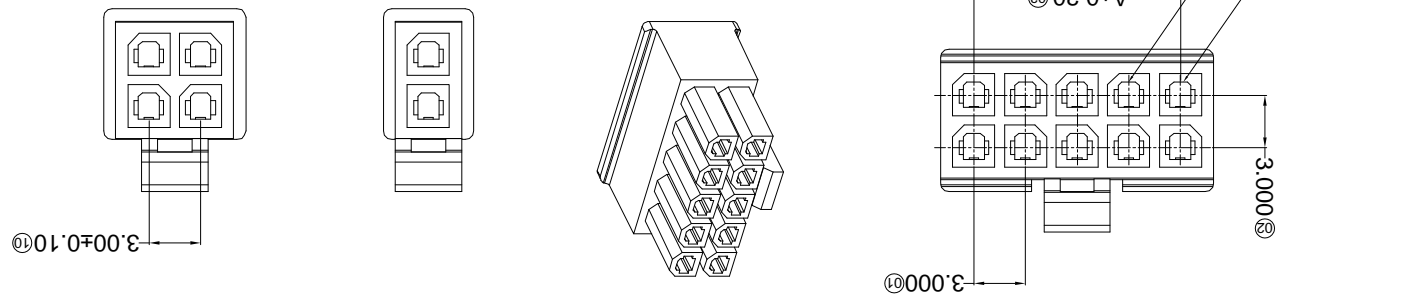
Poles	Dimensions(mm)		Poles	Dimensions(mm)	
	A	B		A	B
2*01	2*07	18.00	2*01	18.00	21.85
2*02	3.00	24.00	2*02	21.00	24.85
2*03	6.00	27.85	2*03	24.00	27.85
2*04	9.00	30.85	2*04	27.00	30.85
2*05	12.00	33.85	2*05	30.00	33.85
2*06	15.00	36.85	2*06	33.00	36.85



X3025 H M-2\*XX XX-N2 XX

- ① Series No.
- ② Category: H-HSG
- ③ Welding Board Angle: M-Male HSG
- ④ Row No.-Pin No.: 2\*XX-2\*01P~2\*12P
- ⑤ Plug the Pin & special No.:
- ⑥ Material: N2-PA66 94V-2;
- ⑦ Color: Blank-Natural Color

- Specifications :
- Voltage rating: 250V AC / DC
  - Current rating: 5A AC / DC
  - Withstanding voltage: 1000V AC/minute
  - Temperature range: -25°C~+85°C
  - Insulation resistance: ≥1000MΩ
  - Contact resistance: ≤10mΩ
  - After environmental testing: ≤20mΩ



REVISIONS  
*Authorized Signature(s)*

MARK	DESCRIPTION	DATE	REVISED	APPROVED	UNSPECIFIED TOLERANCES
△ X					L > 63 ± 0.5
△ X					16 < L ≤ 63 ± 0.4
△ X					4 < L ≤ 16 ± 0.3
△ X					L ≤ 4 ± 0.2
					ANGULAR ± 5°

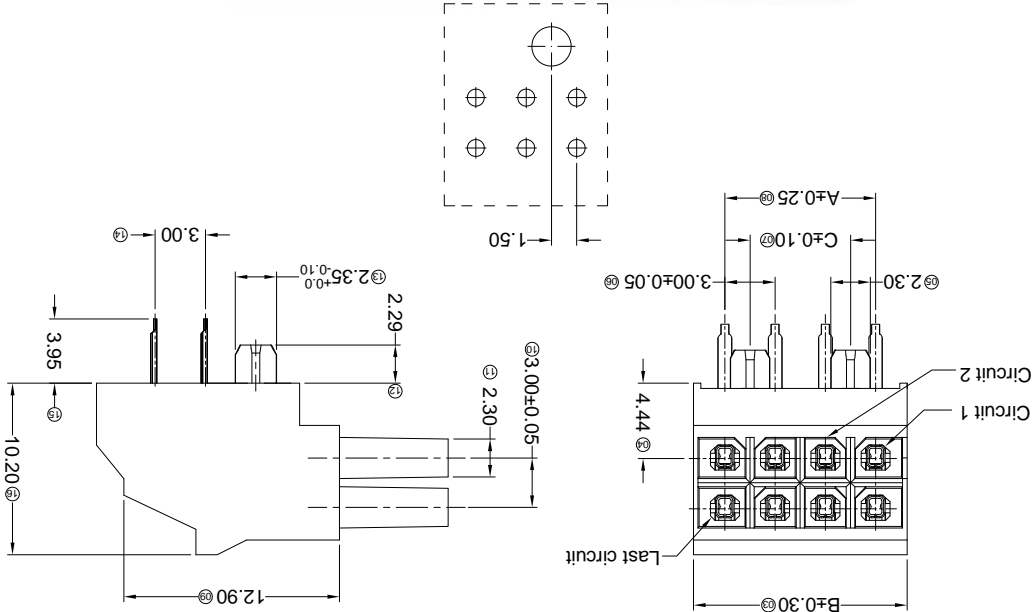
For and on behalf of  
**KKB INDUSTRIAL PRECISION CO., LIMITED**  
香港星坤工業精密有限公司

**KKB INDUSTRIAL PRECISION CO., LIMITED**

WEIGHT	1.0g	REVISION	A0
SHEET	1/1		
SIZE:	A4	DATE	
UNIT:	mm	DATE	
VIEW:		DATE	
SCALE:	N/A	DATE	
MODEL TYPE:	X3025HR-2*XX-LPSN		
PART NO.:			
3.00 mm Crimp Style Connectors			
DWG NO.:			

Part No.	Material	Material(Pin)	Finish(Pin)	Mates With KKB Housing
X3025HR-2*XX-LPSN	LCP UL 94V-0	Brass	Tin-Plated	X3025HW or 3025H

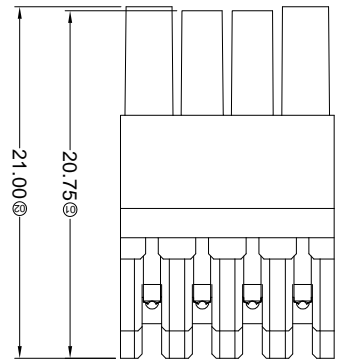
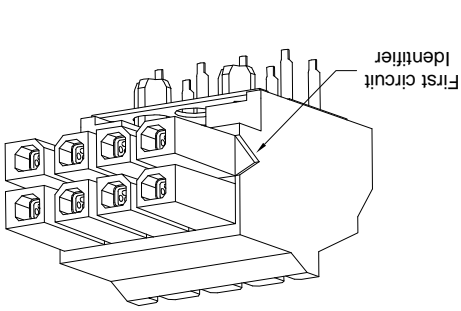
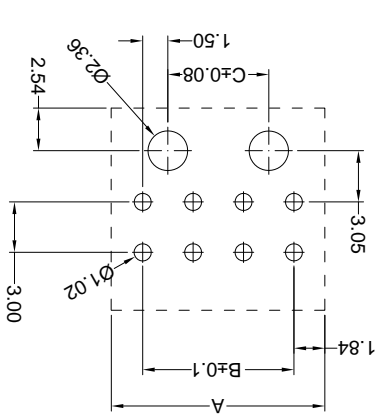
Poles	Dimensions(mm)		
	A	B	C
2'02	3.00	6.70	2'08
2'03	6.00	9.70	2'09
2'04	9.00	12.70	2'10
2'05	12.00	15.70	2'11
2'06	15.00	18.70	2'12
2'07	18.00	21.70	15.00



- ① Series No.
- ② Category: H-HSG
- ③ Welding Board Angle: BOARD-IN-R-90°
- ④ Row No.-Pin No.: 2\*XX-2\*02P~2\*12P
- ⑤ Plug the Pin & special No.:
- ⑥ Material: LP-LCP 94V-0;
- ⑦ Plating Category: SN-Bright tin plating
- ⑧ Color: Blank-Natural Color

X3025 H R-2\*XX LP SN XX

- Specifications :
- Voltage rating: 250V AC / DC
- Current rating: 5A AC / DC
- Withstanding voltage: 1000V AC/minute
- Temperature range: -25°C~+85°C
- Insulation resistance: ≥1000MΩ
- Contact resistance: ≤10mΩ
- After environmental testing: ≤20mΩ



For and on behalf of  
**KRB INDUSTRIAL PRECISION CO., LIMITED**  
 香港星坤工業精密有限公司

MARK	DESCRIPTION	DATE	REVISIONS	UNSPECIFIED TOLERANCES
△ X				L > 63 ±0.5
△ X				16 < L ≤ 63 ±0.4
△ X				4 < L ≤ 16 ±0.3
△ X				L ≤ 4 ±0.2
				ANGULAR ±5°

REVISION	SHEET	WEIGHT	NO.	DATE	DATE	DATE	DATE	DATE
A0	1/1	1.0g						

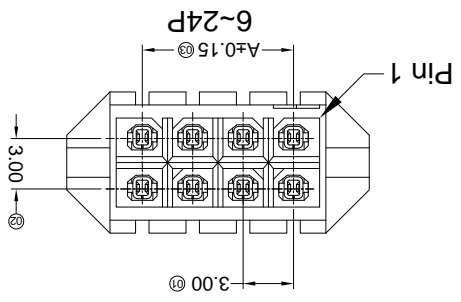
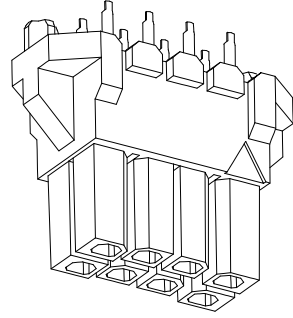
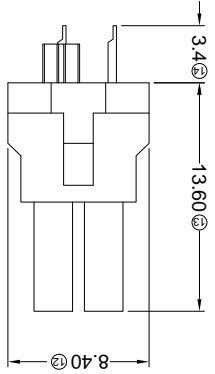
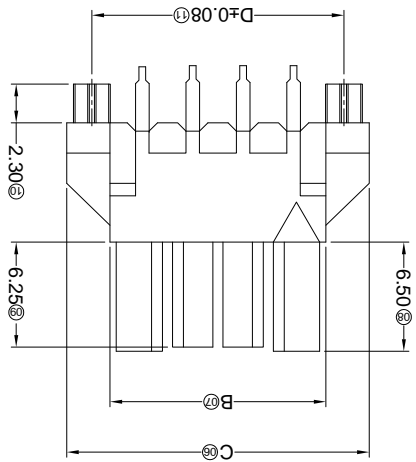
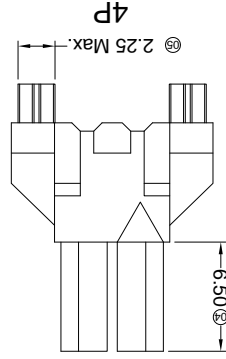
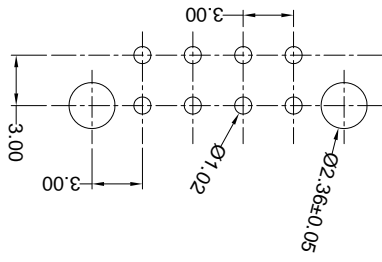
**KRB INDUSTRIAL PRECISION CO., LIMITED**

APPD	CHKD	DWN	DSND

SIZE	UNIT	VIEW	SCALE
A4	mm	VIEW: ①	N/A

MODEL TYPE: X3025HV-2\*XX-LPSN  
 PART NO.: 3.00 mm Crimp Style Connectors  
 DWG NO.:

**Recommended P.C.B Layout**



Part No.	Material	Material(Pin)	Finish(Pin)	Mates With KRB Housing
X3025HV-2*XX-LPSN	LCP UL 94V-0	Brass	Tin-Plated	X3025HW or 3025H

Poles	A	B	C	D
2*02	3.00	6.85	12.00	9.00
2*03	6.00	9.85	15.00	12.00
2*04	9.00	12.85	18.00	15.00
2*05	12.00	15.85	21.00	18.00
2*06	15.00	18.85	24.00	21.00
2*07	18.00	21.85	27.00	24.00
2*08	21.00	24.85	30.00	27.00
2*09	24.00	27.85	33.00	30.00
2*10	27.00	30.85	36.00	33.00
2*11	30.00	33.85	39.00	36.00
2*12	33.00	36.85	42.00	39.00

Dimensions(mm)

- ① Series No.
- ② Category: H-HSG
- ③ Welding Board Angle: BOARD-IN: V-180°
- ④ Row No.-Pin No.: 2\*XX-2\*02P~2\*12P
- ⑤ Plug the Pin & special No.:
- ⑥ Material: LP-LCP 94V-0;
- ⑦ Plating Category: SN-Bright tin plating
- ⑧ Color: Blank-Natural Color

X3025 H V-2\*XX LP SN XX

- Specifications:**
- Voltage rating: 250V AC / DC
  - Current rating: 5A AC / DC
  - Withstanding voltage: 1000V AC/minute
  - Temperature range: -25°C~+85°C
  - Insulation resistance: ≥1000MΩ
  - Contact resistance: ≤10mΩ
  - After environmental testing: ≤20mΩ

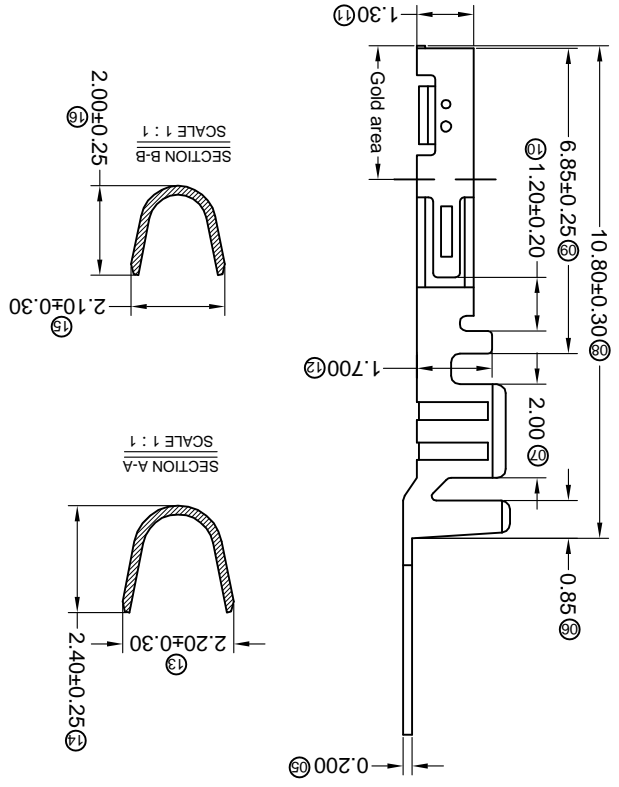
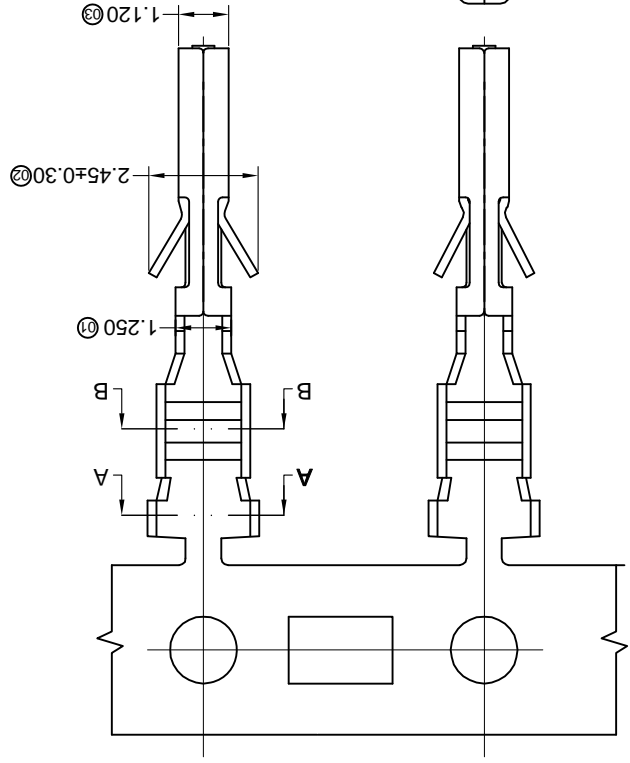
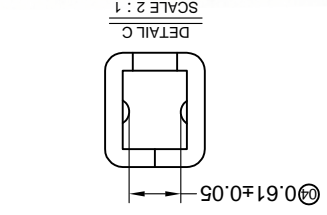
For and on behalf of  
**XKB INDUSTRIAL PRECISION CO., LIMITED**  
 香港星坤工業精密有限公司

REVISIONS  
 (Unauthorized Signatures)

MARK	DESCRIPTION	DATE	REVISED	APPROVED	UNSPECIFIED TOLERANCES
△ X					L > 63 ± 0.5
△ X					16 > L ≤ 63 ± 0.4
△ X					4 < L ≤ 16 ± 0.3
△ X					L ≤ 4 ± 0.2
					ANGULAR ± 5°

DATE	DATE	DATE	DATE	DATE	DATE
DNSD	DWN	CHKD	APPD		
SCALE: N/A	VIEW:	UNIT: mm	SIZE: A4		
MODEL TYPE: X3025TF-PXXX	PART NO.:	3.00 mm Crimp Style Connectors	DWG NO.:		
				WEIGHT: 1.0g	SHEET: 1/1
				REVISION	A0

PART NO	Material	Wire Range	Insulation O.D.	Finish	Used in XKB Housing
X3025TF-PG30	Phosphor Bronze	AWG#20-24	1.85mm(Max)	Stamping Before Plating:30~50u" Ni;Contact Area Gold:30u" Min.	X3025HM
X3025TF-PG15				Stamping Before Plating:30~50u" Ni;Contact Area Gold:15u" Min.	
X3025TF-PG01				Stamping Before Plating:30~50u" Ni;Contact Area Gold Flash	
X3025TF-PSN				Stamping Before Plating:30~50u" Ni;70~120u" Sn	



X3025 T F-P XX X-X  
 ①① Series Number  
 ①② Category: T-terminal  
 ①③ Shape: F-Female Terminal  
 ①④ Material: P-Phosphor bronze  
 ①⑤ Plating style:  
 ①⑥ G-Gold-Plated Contact  
 \*01-Gold Flash \*15-15u" \*30-30u"  
 SN-Bright tin plating 70-120u"  
 ①⑦ Plating method:  
 Blank-Stamping before plating  
 ①⑧ Mold No./Mark/Special No.

- Specifications :
- Voltage rating: 250V AC / DC
  - Current rating: 5A AC / DC
  - Withstanding voltage: 1000V AC/minute
  - Temperature range: -40°C~+85°C
  - Insulation resistance: ≥1000MΩ
  - Contact resistance: ≤10mΩ
  - After environmental testing: ≤20mΩ

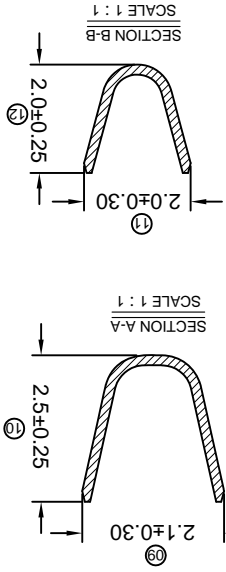
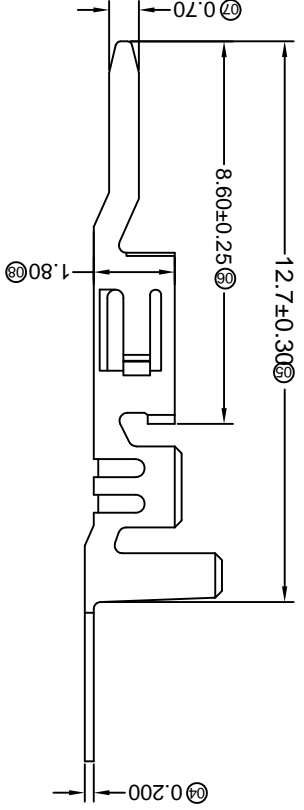
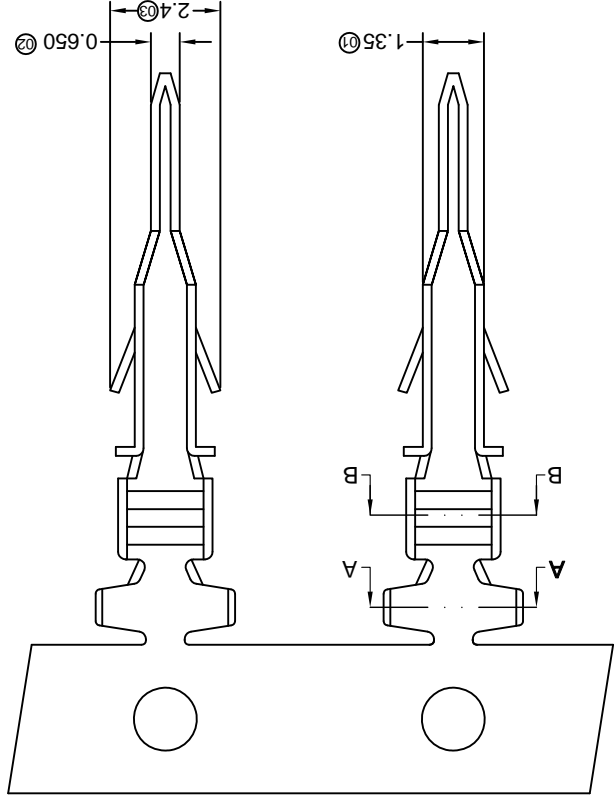
MARK	DESCRIPTION	DATE	REVISIONS	APPROVED	REVISOR	DATE	REVISOR
△ X							
△ X							
△ X							

*For and on behalf of*  
**KXB INDUSTRIAL PRECISION CO., LIMITED**  
 香港星坤工業精密有限公司

UNSPECIFIED TOLERANCES	APPROVED	REVISOR	DATE	REVISIONS	APPROVED	REVISOR	DATE
L > 63							
16 > L ≤ 63							
4 < L ≤ 16							
L ≤ 4							
ANGULAR							

DATE	REVISIONS	APPROVED	DESCRIPTION

PART NO	Material	Wire Range	Insulation O.D.	Finish	Used In XKB Housing
X3025TM-PG30	Phosphor Bronze AWG#20-24	1.85mm(Max)		Stamping Before Plating:30u" Ni>Contact Area Gold:30u" Min.	X3025HF
X3025TM-PG15				Stamping Before Plating:30u" Ni>Contact Area Gold:15u" Min.	
X3025TM-PG01				Stamping Before Plating:30u" Ni>Contact Area Gold Flash	
X3025TM-PSN				Stamping Before Plating:30u" Ni;70u" Sn	



- **Specifications :**
- Voltage rating: 250V AC / DC
  - Current rating: 5A AC / DC
  - Withstanding voltage: 1000V AC/minute
  - Temperature range: -25°C~+85°C
  - Insulation resistance: ≥1000MΩ
  - Contact resistance: ≤10mΩ
  - After environmental testing: ≤20mΩ
- X3025 T-M-P XX X-X
- ① Series Number
  - ② Category: T-terminal
  - ③ Shape: M-Male Terminal
  - ④ Material: P-Phosphor bronze
  - ⑤ Plating style: G-Gold-Plated Contact
  - ⑥ SN-Bright tin plating 70u"
  - ⑦ \*01-Gold Flash \*15-15u" \*30-30u"
  - ⑧ Plating method: Blank-Stamping before plating
  - ⑨ Mold No./Mark/Special No.

A B C D E F 1 2 3 4 5 6 7 8

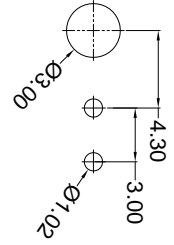
For and on behalf of  
**KKB INDUSTRIAL PRECISION CO., LIMITED**  
 香港星坤工業精密有限公司

REVISIONS  
 (Authorized Signatures)

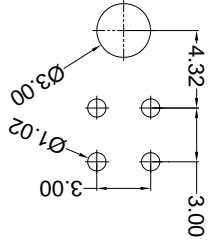
MARK	DESCRIPTION	DATE	REVISED	APPROVED	UNSPECIFIED TOLERANCES
△ X					L > 63 L ≤ 63
△ X					4 ≤ L ≤ 16
△ X					L ≤ 4
					ANGULAR ± 5°

DATE	DATE	DATE	DATE	DATE	DATE
SCALE: N/A	VIEW:	UNIT: mm	SIZE: A4	MODEL TYPE: X3025WR-2*XX-N0XXX	PART NO.: 3.00 mm Crimp Style Connectors
DWNG NO.:					
WEIGHT	SHEET	REVISION			
1.0g	1/1	A0			

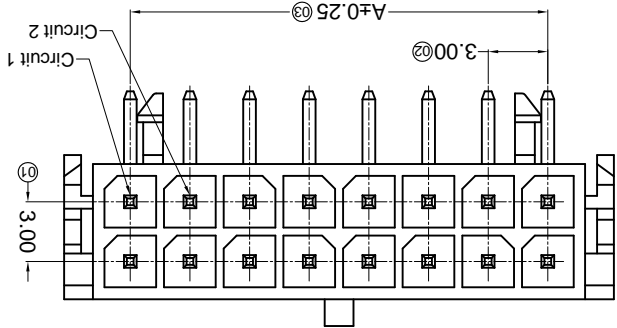
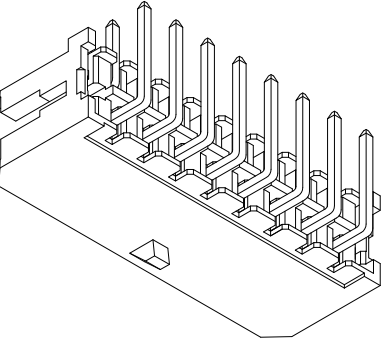
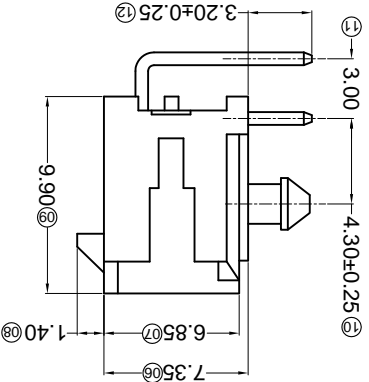
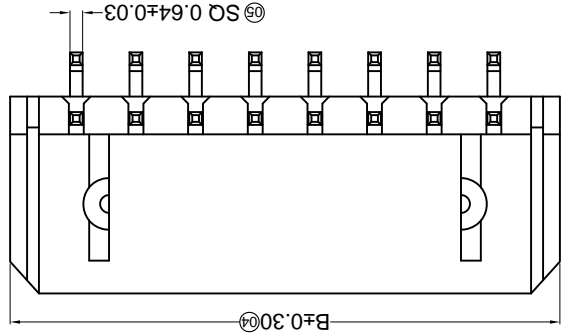
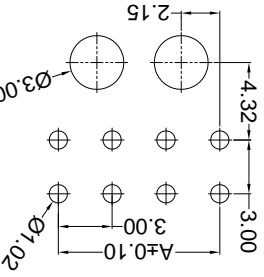
2P P.C.B LAYOUT



4P-6P P.C.B LAYOUT



8P-24P P.C.B LAYOUT



Part No.	Material	Material(Pin)	Finish(Pin)	Mates With
X3025WR-2*XX-46SN	PA46 UL 94V-0	Brass	Tin-Plated	KKB Housing
X3025WR-2*XX-46G01	PA46 UL 94V-0	Brass	Contact Gold	KKB Housing

Scale 1:3

Dimensions (mm)	A	B
2*12	33.00	39.65
2*11	30.00	36.65
2*10	27.00	33.65
2*09	24.00	30.65
2*08	21.00	27.65
2*07	18.00	24.65
2*06	15.00	21.65
2*05	12.00	18.65
2*04	9.00	15.65
2*03	6.00	12.65
2*02	3.00	9.65
2*01	---	6.65

- ① Series No.
- ② Category: W-water
- ③ Welding Board Angle: R-90°
- ④ Welding Way: Blank-DIP
- ⑤ Row No.-Pin No.: 2\*XX-2\*01P-2\*12P
- ⑥ Special NO.:
- ⑦ Material: 46-P46 94V-0
- ⑧ Planting Category: G01-Contact Gold Flash
- ⑨ Plating Category: SN-Bright tin plating
- ⑩ Color: Blank-natural color

- Specifications:
- Voltage rating: 250V AC / DC
  - Current rating: 5A AC / DC
  - Withstanding voltage: 1000V AC/minute
  - Temperature range: -25°C~+85°C
  - Insulation resistance: ≥1000MΩ
  - Contact resistance: ≤10mΩ
  - After environmental testing: ≤20mΩ

For and on behalf of

KXB INDUSTRIAL PRECISION CO., LIMITED

香港星坤工業精密有限公司

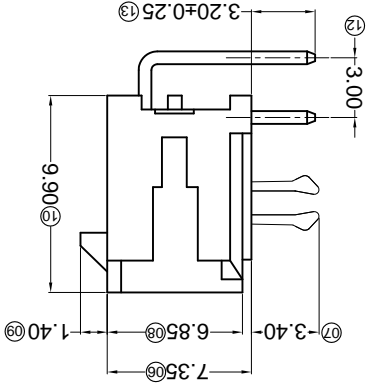
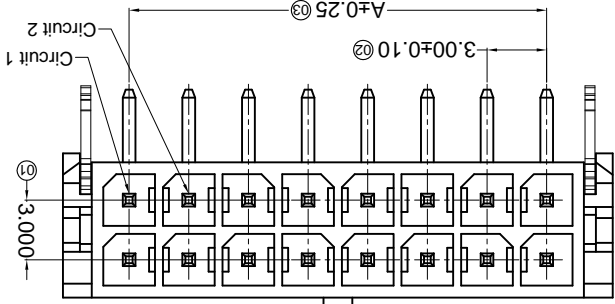
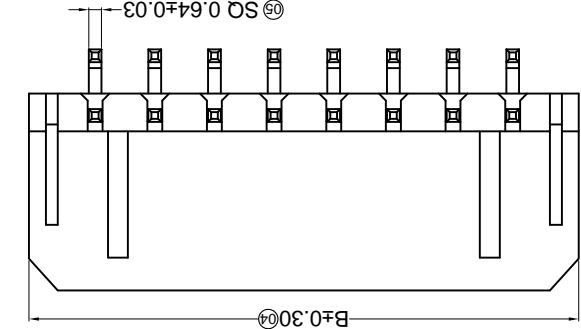
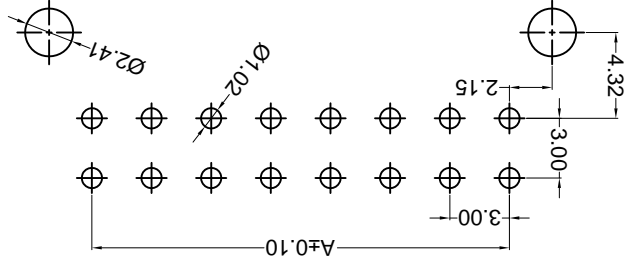
REVISIONS

Authorized Signature(s)

MARK	DESCRIPTION	DATE	REVISED	APPROVED	UNSPECIFIED TOLERANCES
△ X					L > 63 ± 0.5
△ X					16 < L ≤ 63 ± 0.4
△ X					4 < L ≤ 16 ± 0.3
△ X					L ≤ 4 ± 0.2
					ANGULAR ± 5°

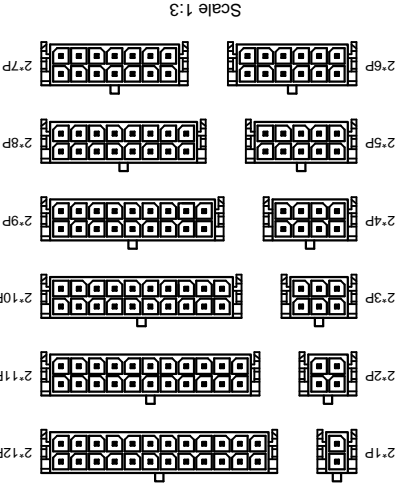
DSND	DATE	SCALE: N/A	MODEL TYPE: X3025WR-2*XXC-XXX
DWN <th>DATE</th> <th>VIEW: </th> <th>PART NO.: 3.00 mm Crimp Style Connectors</th>	DATE	VIEW:	PART NO.: 3.00 mm Crimp Style Connectors
CHKD <th>DATE</th> <th>UNIT: mm</th> <th>DWG NO.:</th>	DATE	UNIT: mm	DWG NO.:
APPD <th>DATE</th> <th>SIZE: A4</th> <th>REVISION</th>	DATE	SIZE: A4	REVISION
			WEIGHT 1.0g
			SHEET 1/1
			REVISION A0

Recommended P.C.B Layout  
General Tolerance±0.05



- Specifications :**
- Voltage rating: 250V AC / DC
  - Current rating: 5A AC / DC
  - Withstanding voltage: 1000V AC/minute
  - Temperature range: -25°C~+85°C
  - Insulation resistance: ≥1000MΩ
  - Contact resistance: ≤10mΩ
  - After environmental testing: ≤20mΩ

- X3025 WR X-2\*XX C-XX XX XX
- ① Series No.
  - ② Category: W-water
  - ③ Welding Board Angle: R-90°
  - ④ Welding Way: Blank-DIP
  - ⑤ Row No.-Pin No.: 2\*XX-2\*01P~2\*12P
  - ⑥ Special NO.: C-The harpoon
  - ⑦ Material:
  - ⑧ 46-P A46 94V-0 66-P A66 94V-0 LP-LCP 94V-0 Planting Category:
  - ⑨ G\*:Gold-Plated Contact \*02-2u"
  - ⑩ SN-Bright tin plating 70u"
  - ⑪ Color: Blank-natural color



Poles	A	B	Dimensions (mm)
2*01	---	6.65	
2*02	3.00	9.65	
2*03	6.00	12.65	
2*04	9.00	15.65	
2*05	12.00	18.65	
2*06	15.00	21.65	
2*07	18.00	24.65	
2*08	21.00	27.65	
2*09	24.00	30.65	
2*10	27.00	33.65	
2*11	30.00	36.65	
2*12	33.00	39.65	

Part No.	Material	Material(Pin)	Finish(Pin)	Mates With
X3025WR-2*XXC-66G2	Nylon 66 UL 94V-0	LCP UL 94V-0	Gold Flash	X3025H
X3025WR-2*XXC-LPSN	LCP UL 94V-0		Tin-Plated	
X3025WR-2*XXC-46SN	Nylon 46 UL 94V-0			
X3025WR-2*XXC-66SN	Nylon 66 UL 94V-0			



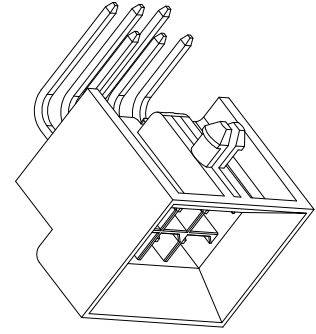
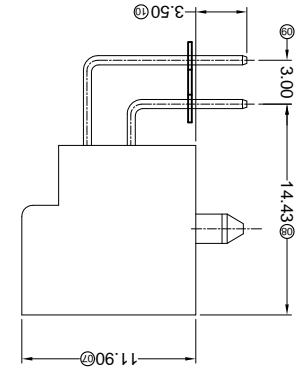
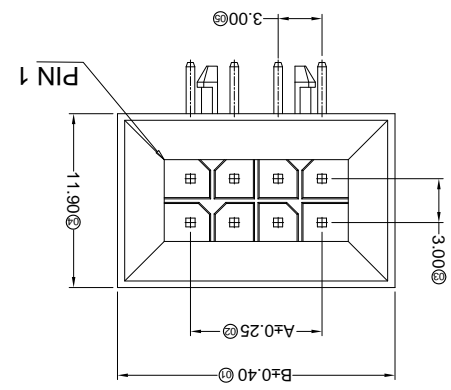
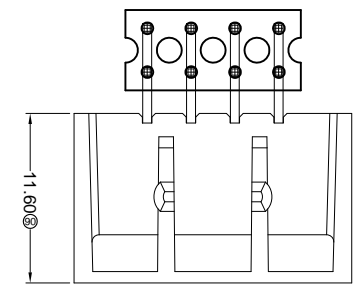
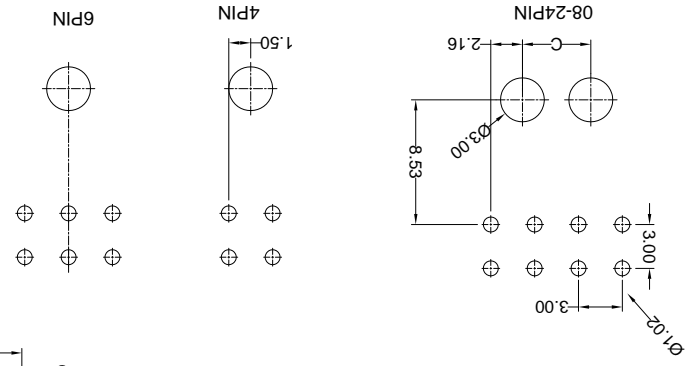
REVISED SIGNATURE(S)		UNSPECIFIED TOLERANCES	
MARK	DESCRIPTION	DATE	REVISED
△ X		APPROVED	APPROVED
△ X		L > 63	± 0.5
△ X		16 < L ≤ 63	± 0.4
△ X		4 < L ≤ 16	± 0.3
		L ≤ 4	± 0.2
		ANGULAR	± 5°

**FOR and on behalf of**  
**KXB INDUSTRIAL PRECISION CO., LIMITED**  
 香港星坤工業精密有限公司

REVISION		WEIGHT	
REVISION	SHEET	WEIGHT	SHEET
A0	1/1	1.0g	

KXB INDUSTRIAL PRECISION CO., LIMITED			
DSND	DATE	SCALE: N/A	MODEL TYPE: X3025WR-2*XXH-LPSN
DWN	DATE	VIEW:	PART NO.: 3.00 mm Crimp Style Connectors
CHKD	DATE	UNIT: mm	DWG NO.:
APPD	DATE	SIZE: A4	

**PCB LAYOUT : Component side**



Part No.	Material	Material(Pin)	Finish(Pin)	Mates With XKB Housing
X3025WR-2*XXH-LPSN	LCP UL 94V-0	Brass	Tin-Plated	X3025H

Poles	Dimensions (mm)		
	A	B	C
2*02	3.00	13.00	2*08
2*03	6.00	16.00	2*09
2*04	9.00	19.00	4.68
2*05	12.00	22.00	7.68
2*06	15.00	25.00	10.68
2*07	18.00	28.00	13.68

- ① Series No. X3025 W R X-2\*XX H-LP SN XX
- ② ③ ④ ⑤ ⑥ ⑦ ⑧ ⑨
- ⑩ Material: LP-LCP 94V-0
- ⑪ Special NO. : H-With Base and positioning column
- ⑫ Row No.-Pin No.: 2\*XX-2\*01P~2\*12P
- ⑬ Welding Way: Blank-DIP
- ⑭ Category: W-wafer
- ⑮ Welding Board Angle: R-90°
- ⑯ Series No. : W-wafer
- ⑰ Planting Category: SN-Bright tin plating
- ⑱ Color: Blank-natural color

- Specifications :**
- Voltage rating: 250V AC / DC
  - Current rating: 5A AC / DC
  - Withstanding voltage: 1500V AC/minute
  - Temperature range: -25°C~+85°C
  - Insulation resistance: ≥1000MΩ
  - Contact resistance: ≤10mΩ
  - After environmental testing: ≤20mΩ

For and on behalf of  
**KKB INDUSTRIAL PRECISION CO., LIMITED**  
 香港星坤工業精密有限公司

REVISIONS  
 Authorized Signature(s)

MARK	DESCRIPTION	DATE	REVISED	APPROVED	UNSPECIFIED TOLERANCES
△ X					L > 63
△ X					16 < L ≤ 63
△ X					4 < L ≤ 16
△ X					L ≤ 4
					ANGULAR
					± 5°
					± 0.2
					± 0.3
					± 0.4
					± 0.5

REVISION	SHEET	WEIGHT	8
A0	1/1	1.0g	

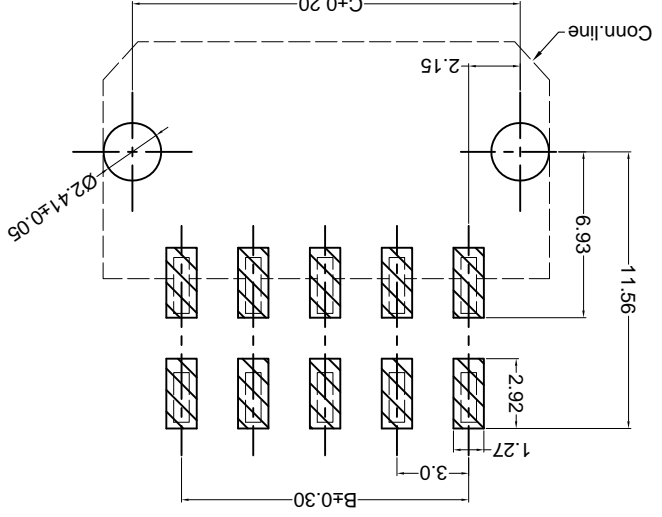
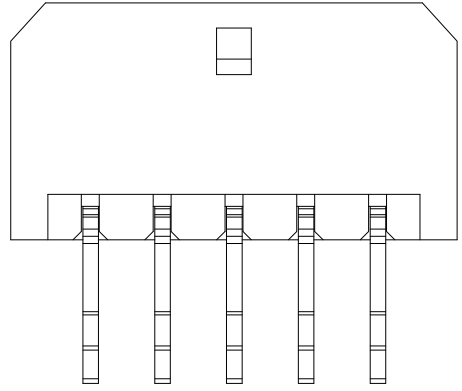
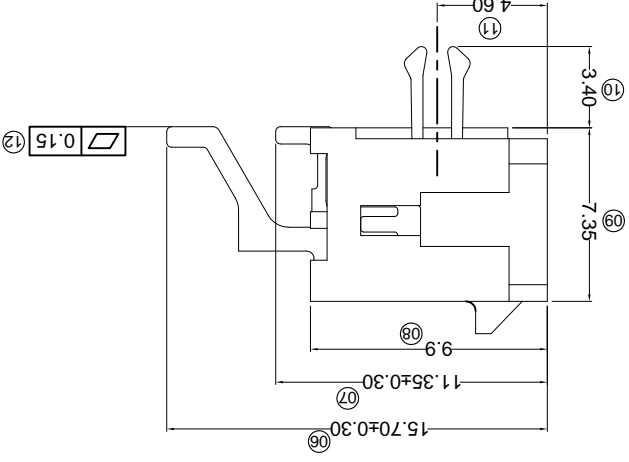
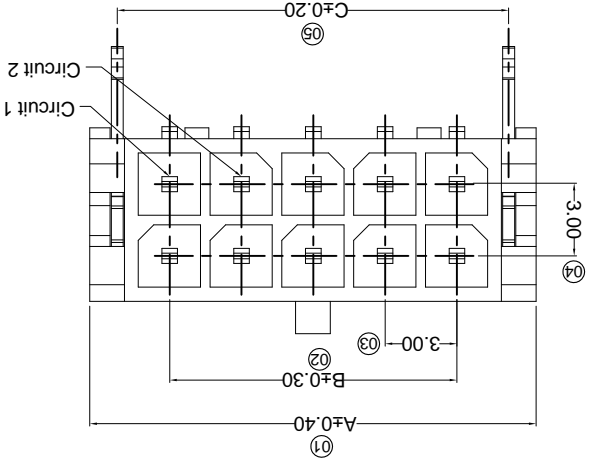
DATE	SCALE: N/A	MODEL TYPE: X3025WRS-2*XXC-XXXX	7

DATE	VIEW:	PART NO.: X3025WRS-2*XXC-XXXX	6

DATE	UNIT: mm	DWG NO.:	5

DATE	SIZE: A4	REVISION	4

PART NO	Material	Material(Pin)	Finish(Pin)	(Solder Tabs)	(Solder Tabs)	Mates With XKB Housing
X3025WRS-2*XXC-LPSW	LCP UL 94V-0	Brass	Ni:50u"Min; Sn:120u"Min	Brass	Finish Tabs	Mates With XKB Housing
X3025WRS-2*XXC-LPSN	LCP UL 94V-0	Brass	Ni:50u"Min; Sn:120u"Min	Brass	Tin-Plated	Mates With XKB Housing
X3025WRS-2*XXC-NOSN	PA66 UL 94V-0	Brass	Ni:50u"Min; Sn:120u"Min	Brass	Finish Tabs	Mates With XKB Housing



- Specifications :
- Voltage rating: 250V AC / DC
  - Current rating: 5A AC / DC
  - Withstanding voltage: 1000V AC/minute
  - Temperature range: -25°C~+85°C
  - Insulation resistance: ≥1000MΩ
  - Contact resistance: ≤10mΩ
  - After environmental testing: ≤20mΩ

X3025 W R S- 2\*XX C-XX XX XX  
 ① Series No.  
 ② Category: W-water  
 ③ Welding Board Angle: R-90°  
 ④ Welding Way: S-SMT  
 ⑤ Row No.-Pin No.: 2\*XX-Double row  
 ⑥ Special NO.: C-The harpoon  
 ⑦ Material: LP-LCP 94V-0  
 ⑧ Material: N0-PA66 94V-0  
 ⑨ Plating Category:  
 SN-Bright tin plating 70u"  
 SW-Fog Tin plating  
 Color:  
 ⑩ Blank-natural color

Poles	A	B	C
02	6.65	---	4.20
04	9.65	3.00	7.20
06	12.65	6.00	10.20
08	15.65	9.00	13.20
10	18.65	12.00	16.20
12	21.65	15.00	19.20
14	24.65	18.00	22.20
16	27.65	21.00	25.20
18	30.65	24.00	28.20
20	33.65	27.00	31.20
22	36.65	30.00	34.20
24	39.65	33.00	37.20

Dimensions(mm)

For and on behalf of  
**KXB INDUSTRIAL PRECISION CO., LIMITED**  
 香港星坤工業精密有限公司

Authorized Signature(s)

MARK	DESCRIPTION	DATE	REVISID	APPROVED	UNSPECIFIED TOLERANCES
△ X					L > 63
△ X					16 < L ≤ 63
△ X					4 < L ≤ 16
△ X					L ≤ 4
					ANGULAR
					± 5°

REVISION	SHEET	WEIGHT	DATE	DATE	DATE	DATE
A0	1/1	1.0g				

DSND	SCALE: N/A	DATE

DWN	VIEW:	DATE

CHKD	UNIT: mm	DATE

APPD	SIZE: A4	DATE

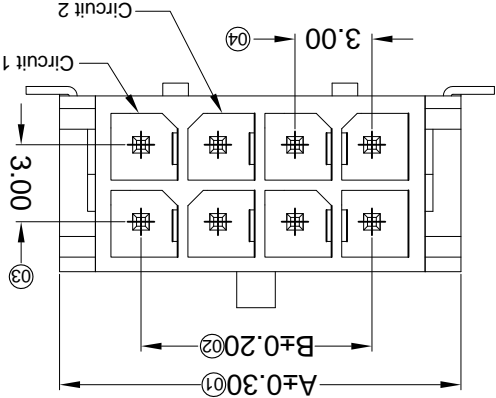
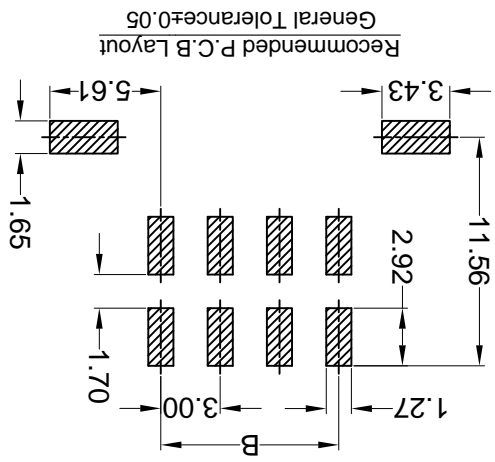
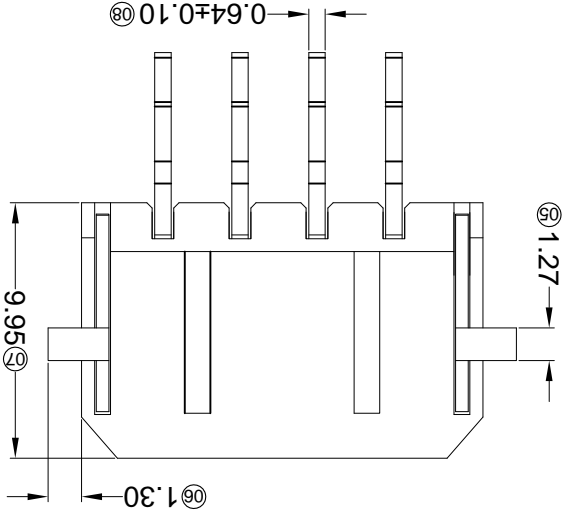
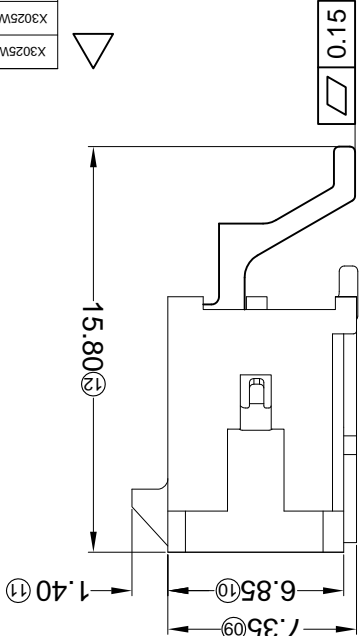
MODEL TYPE: X3025WRS-2\*XXD-XXXX  
 PART NO.:  
 3.00 mm Crimp Style Connectors  
 DWG NO.:

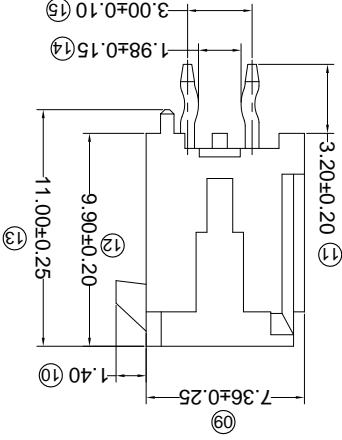
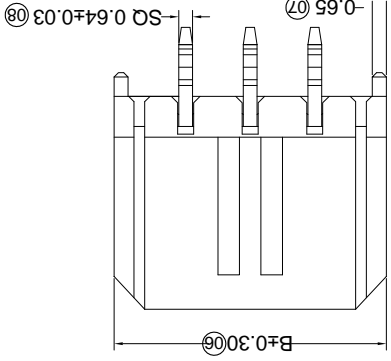
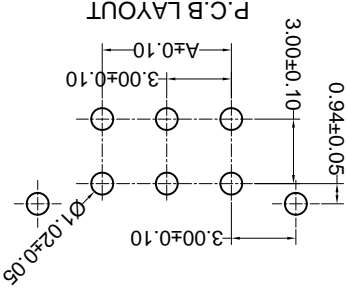
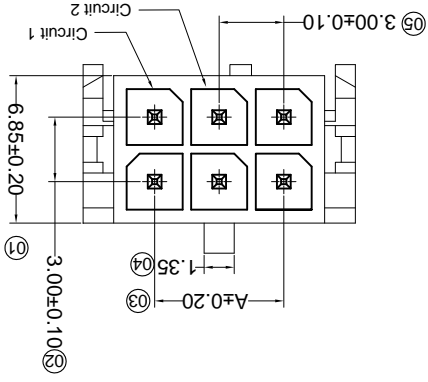
PART NO	Material	Material(Pin)	Finish(Pin)	Material (Solder Tabs)	Finish (Solder Tabs)	Mates With XKB Housing
X3025WRS-2*XXD-LPSN	LCP UL 94V-0	Brass	Tin-Plated	Brass	Tin-Plated	X3025H
X3025WRS-2*XXD-LPG05			Ni:50µ/Min;Sr:120µ/Min; Contact Area Gold:5µ			
X3025WRS-2*XXD-LPSW			Matte tin			

Poles	Dimensions (mm)	
	A	B
2*01	6.65	---
2*02	9.65	3.00
2*03	12.65	6.00
2*04	15.65	9.00
2*05	18.65	12.00
2*06	21.65	15.00
Poles		Dimensions (mm)
		A
		B

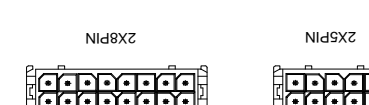
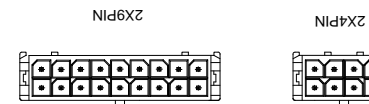
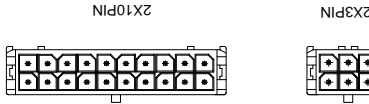
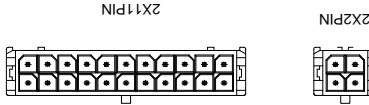
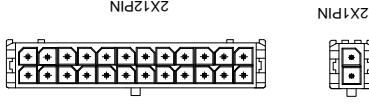
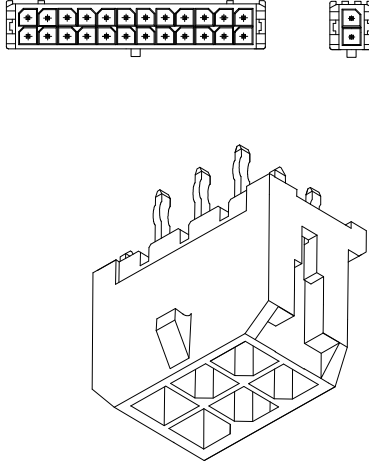
- ① Series No.  
 ② Category: W-WAFER  
 ③ Welding Board Angle: R-Straight 180°  
 ④ Welding Way: S-SMT  
 ⑤ Row No.-Pin No.: 2\*XX-2\*02P~2\*22P  
 ⑥ Plug the Pin & Special No.: D-With Solder Tabs  
 ⑦ Material: LP-LCP 94V-0  
 ⑧ Plating Category: SN-Bright Tin Plating; G05-Contact Gold 5µ  
 SW-Fog Tin plating  
 Color: Blank-Natural Color
- ① ② ③ ④ ⑤ ⑥ ⑦ ⑧ ⑨  
 X3025 W R S-2\*XX D-LP XX XX  
 Recommended P.C.B Layout  
 General Tolerance±0.05

- Specifications:
- Voltage rating: 250V AC / DC
  - Current rating: 5A AC / DC
  - Withstanding voltage: 1000V AC/minute
  - Temperature range: -25°C~+85°C
  - Insulation resistance: ≥1000MΩ
  - Contact resistance: ≤10mΩ
  - After environmental testing: ≤20mΩ





PART NO	Material	Material(Pin)	Finish(Pin)	Mates With XKB Housing
X3025WV-2*XX-46V01	PA46 UL 94V-0	Brass	Tin-Plated	X3025H
X3025WV-2*XX-LP5N	LCP UL 94V-0			
X025WV-2*XX-66B5N	PA66 UL 94V-0			
X3025WV-2*XX-46S5N	PA46 UL 94V-0			
X3025WV-2*XX-PT5N	PBT UL 94V-0			



- Specifications :**
- Voltage rating: 250V AC / DC
  - Current rating: 5A AC / DC
  - Withstanding voltage: 1000V AC/minute
  - Temperature range: -25°C~+85°C
  - Insulation resistance: ≥1000MΩ
  - Contact resistance: ≤10mΩ
  - After environmental testing: ≤20mΩ

X3025 W V X-2\*XX X-XX XX XX  
 ① ② ③ ④ ⑤ ⑥ ⑦ ⑧ ⑨

- Series No.
- Category: W-WAFER
- Welding Board Angle: V-Straight 180°
- Welding Way: Blank-DIP
- Row No.-Pin No.: 2\*XX-2\*01P~2\*22P
- Plug the Pin & Special No.:
- Material: 66-PA66 94V-0; PT-PBT 94V-0; 46-PA46 94V-0 LP-LCP 94V-0
- Plating Category: SN-Bright Tin Plating; V01-All Gold Flash
- Color: Blank-Natural Color

Poles	Dimensions (mm)	
	A	B
2*01	---	6.65
2*02	3.00	9.65
2*03	6.00	12.65
2*04	9.00	15.65
2*05	12.00	18.65
2*06	15.00	21.65
2*07	18.00	24.65
2*08	21.00	27.65
2*09	24.00	30.65
2*10	27.00	33.65
2*11	30.00	36.65
2*12	33.00	39.65

For and on behalf of

XKB INDUSTRIAL PRECISION CO., LIMITED

香港星坤工業精密有限公司

MARK	DESCRIPTION	DATE	REVISION	APPROVED	UNSPECIFIED TOLERANCES
△ X					L > 63 ±0.5
△ X					16 < L ≤ 63 ±0.4
△ X					4 < L ≤ 16 ±0.3
					L ≤ 4 ±0.2
					ANGULAR ±5°

XKB INDUSTRIAL PRECISION CO., LIMITED

WEIGHT	SHEET	REVISION
1.0g	1/1	A0

DSND	DATE	SCALE: N/A	MODEL TYPE: X3025WV-2*XX-XXXX
DWN <td>DATE <td>VIEW: ④</td> <td>PART NO.:</td> </td>	DATE <td>VIEW: ④</td> <td>PART NO.:</td>	VIEW: ④	PART NO.:
CHKD <td>DATE <td>UNIT: mm</td> <td>DWG NO.:</td> </td>	DATE <td>UNIT: mm</td> <td>DWG NO.:</td>	UNIT: mm	DWG NO.:
APPD <td>DATE <td>SIZE: A4</td> <td></td> </td>	DATE <td>SIZE: A4</td> <td></td>	SIZE: A4	

For and on behalf of  
**KXB INDUSTRIAL PRECISION CO., LIMITED**  
 香港星坤工業精密有限公司

Authorized Signatures

MARK	DESCRIPTION	DATE	REVISED	APPROVED	UNSPECIFIED TOLERANCES
△ X					L > 63
△ X					16 > L ≤ 63
△ X					4 < L ≤ 16
△ X					L ≤ 4
					ANGULAR
					± 5°

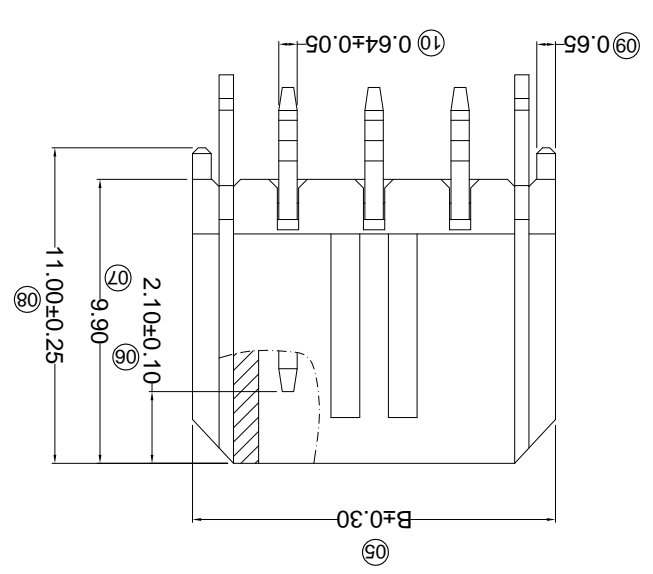
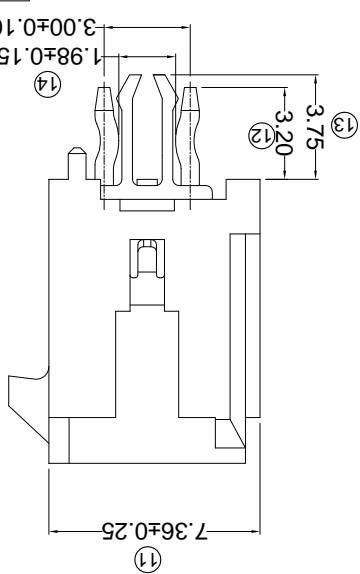
REVISIONS	DATE	REVISED	APPROVED	UNSPECIFIED TOLERANCES
				L > 63
				16 > L ≤ 63
				4 < L ≤ 16
				L ≤ 4
				ANGULAR
				± 5°

DSND	DATE	SCALE: N/A	MODEL TYPE: X3025WV-2*XXC-46SN
APPD <th>DATE</th> <th>VIEW: </th> <th>PART NO.: 300 mm Crimp Style Connectors</th>	DATE	VIEW:	PART NO.: 300 mm Crimp Style Connectors
CHKD <th>DATE</th> <th>UNIT: mm</th> <th>DWG NO.:</th>	DATE	UNIT: mm	DWG NO.:
	DATE	SIZE: A4	WEIGHT
	DATE	DATE	SHEET
	DATE	REVISION	NO

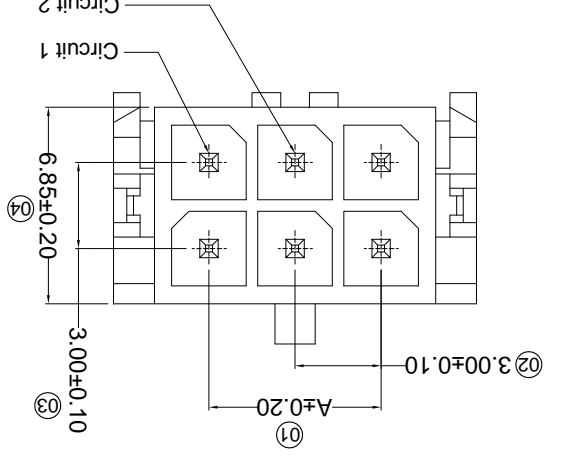
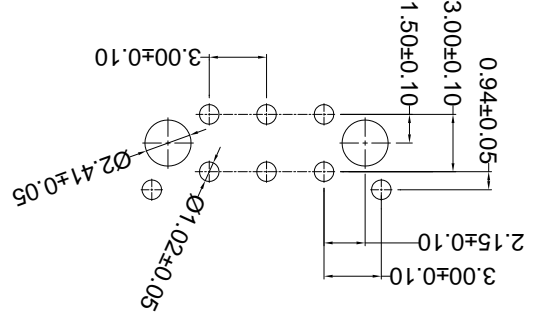
Poles	Dimensions (mm)	A	B
02	--	6.65	
04	3.00	9.65	
06	6.00	12.65	
08	9.00	15.65	
10	12.00	18.65	
12	15.00	21.65	
14	18.00	24.65	
16	21.00	27.65	
18	24.00	30.65	
20	27.00	33.65	
22	30.00	36.65	
24	33.00	39.65	

PART NO	Material	Material(Pin)	Finish(Pin)	Mates With
X3025WV-2*XXC-LPSW	LCP UL 94V-0	Brass	Tin Plating Fog	X3025H
X3025WV-2*XXC-46SN	PA46 UL 94V-0			

- ① Series No.
- ② Category:
- ③ W-water
- ④ Welding Board Angle:
- ⑤ V-180°
- ⑥ Welding Way:
- ⑦ Blank-DIP
- ⑧ Row No.-Pin No.
- ⑨ 2\*XX-Double row
- ⑩ Special NO.
- ⑪ C-The harpoon
- ⑫ Material:
- ⑬ LP-LCP 94V-0 NO-PA9T 94V-0 46-PA46 94V-0
- ⑭ Planting Category:
- ⑮ V\*\*All Gold-Plated
- ⑯ \*01-Gold Flash : \*02-2u" ; \*03-3u" ; \*05-5u"
- ⑰ \*10-10u" ; \*15-15u" ; \*30-30u" ; \*50-50u"
- ⑱ SN-Bright tin plating 70u"
- ⑲ SN1-Bright tin plating 120u"Min.:
- ⑳ SW-Fog Tin plating
- ㉑ Color:
- ㉒ Blank-natural color



P.C.B LAYOUT



- Specifications :
- Voltage rating: 250V AC / DC
- Current rating: 5A AC / DC
- Withstanding voltage: 1000V AC/minute
- Temperature range: -25°C~+85°C
- Insulation resistance: ≥1000MΩ
- Contact resistance: ≤10mΩ
- After environmental testing: ≤20mΩ

REVISIONS  
*Authorized Signatures*

MARK	DESCRIPTION	DATE	REVISED	APPROVED	UNSPECIFIED TOLERANCES
△ X					L > 63
△ X					16 < L ≤ 63
△ X					4 < L ≤ 16
△ X					L ≤ 4
					ANGULAR
					± 5°

For and on behalf of  
**XKB INDUSTRIAL PRECISION CO., LIMITED**  
香港星坤工業精密有限公司

**XKB INDUSTRIAL PRECISION CO., LIMITED**

WEIGHT	1.0g
SHEET	1/1
REVISION	A0
SIZE:	A4
DATE:	
UNIT:	mm
VIEW:	
SCALE:	N/A
MODEL TYPE:	X3025WV-2*XXCN-LPSN
PART NO.:	
DWG NO.:	

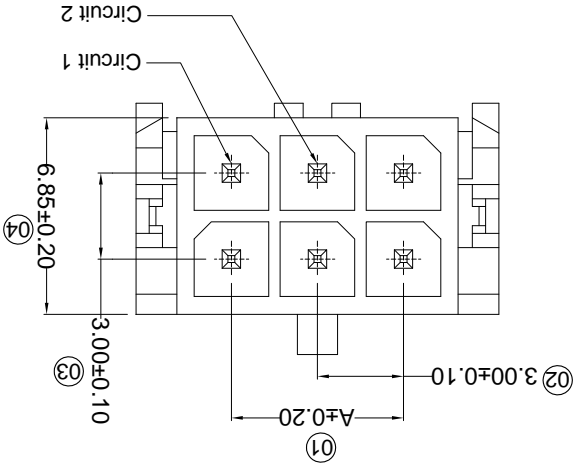
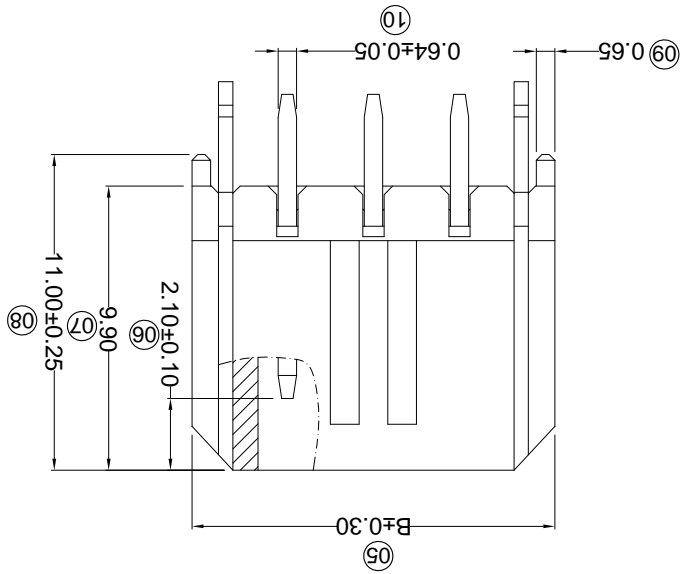
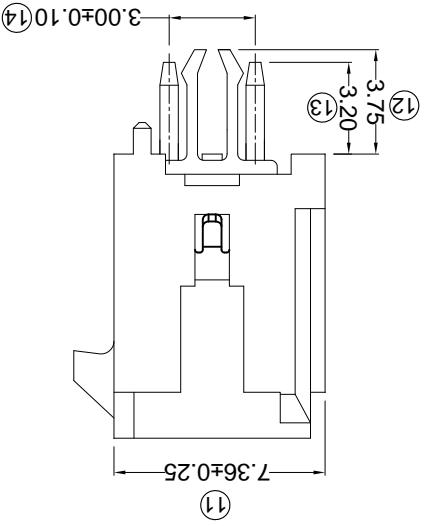
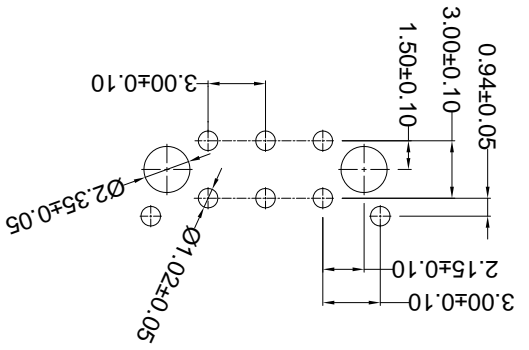
PART NO	Material	Material(Pin)	Finish(Pin)	Mates With XKB Housing
X3025WV-2*XXCN-LPSN	LCP UL 94V-0	Brass	Tin-Plated	X3025H

Poles	A	B
02	--	6.65
04	3.00	9.65
06	6.00	12.65
08	9.00	15.65
10	12.00	18.65
12	15.00	21.65
14	18.00	24.65
16	21.00	27.65
18	24.00	30.65
20	27.00	33.65
22	30.00	36.65
24	33.00	39.65

- ① Series No. X3025 W V X-2\*XX CN-LP SN XX
- ② Category: W-water
- ③ Welding Board Angle: V-180°
- ④ Welding Way: Blank-DIP
- ⑤ Row No.-Pin No. 2\*XX-Double row
- ⑥ Special NO. C-The harpoon N-without K the feet
- ⑦ Material: LP-LCP 94V-0
- ⑧ Plating Category: V\*\*All Gold-Plated
- ⑨ Color: SN-Bright tin plating 70u" ; \*1-10u" ; \*15-15u" ; \*30-30u" ; \*50-50u" ; \*01-Gold Flash ; \*02-2u" ; \*03-3u" ; \*05-5u"
- ⑩ SW-Fog Tin plating
- ⑪ Blank-natural color

- Specifications :
- Voltage rating: 250V AC / DC
  - Current rating: 5A AC / DC
  - Withstanding voltage: 1000V AC/minute
  - Temperature range: -25°C~+85°C
  - Insulation resistance: ≥1000MΩ
  - Contact resistance: ≤10mΩ
  - After environmental testing: ≤20mΩ

P.C.B LAYOUT



For and on behalf of  
**KXB INDUSTRIAL PRECISION CO., LIMITED**  
 香港星坤工業精密有限公司

Authorized Signatures

MARK	DESCRIPTION	DATE	REVISIONS	APPROVED	REVISOR	DATE
△ X						
△ X						
△ X						

UNSPECIFIED TOLERANCES	APPROVED	REVISOR	DATE
L > 63			
16 < L ≤ 63			
4 < L ≤ 16			
L ≤ 4			
ANGULAR			

REVISION	SHEET	WEIGHT	DATE	DATE	DATE	DATE	DATE
A0	1/1	1.0g					

Part No.	Material	Material(Pin)	Finish(Pin)	Tin-Plated	Part No.	Material	Material(Pin)	Finish(Pin)	Tin-Plated
X3025WV-2*XXH-LPSN	LCP UL 94V-0	Brass			X3025H				

Dimensions (mm)	A	B	C	Poles
04	3.00	13.00	12.00	15.00
06	6.00	16.00	15.00	18.00
08	9.00	19.00	18.00	21.00
10	12.00	22.00	21.00	24.00
12	15.00	25.00	24.00	27.00
14	18.00	28.00	27.00	30.00
16	21.00	31.00	30.00	33.00
18	24.00	34.00	33.00	36.00
20	27.00	37.00	36.00	39.00
22	30.00	40.00	39.00	42.00
24	33.00	43.00	42.00	

APPD	CHKD	DWN	DSND	DATE	DATE	DATE	DATE

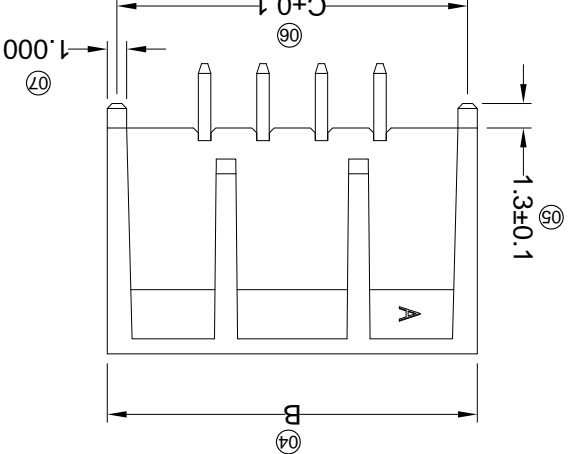
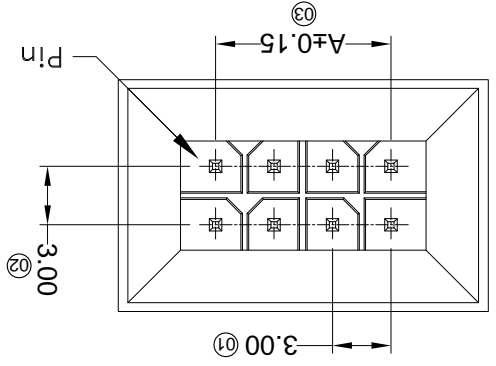
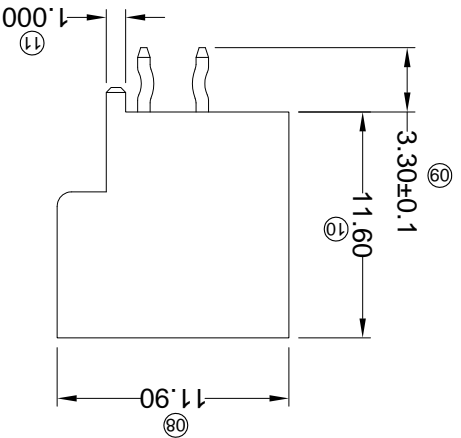
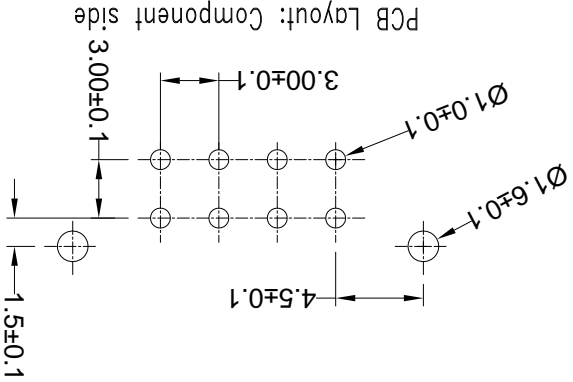
MODEL TYPE:	SCALE:	VIEW:	UNIT:	SIZE:
X3025WV-2*XXH-LPSN	N/A	⑩	mm	A4

1 2 3 4 5 6 7 8

A B C D E F

- Specifications :
- Voltage rating: 250V AC / DC
  - Current rating: 5A AC / DC
  - Withstanding voltage: 1000V AC/minute
  - Temperature range: -25°C~+85°C
  - Insulation resistance: ≥1000MΩ
  - Contact resistance: ≤10mΩ
  - After environmental testing: ≤20mΩ

X3025W V X-2\*XXH-LPSNXX  
 ① Series No.  
 ② Category: W-water  
 ③ Welding Board Angle: V-180°  
 ④ Welding Way: Blank-DIP  
 ⑤ Row No.-Pin No.  
 ⑥ 2\*XX-Double row  
 ⑦ Special NO.  
 ⑧ H-Arrange ushering with positioning column  
 ⑦ Material:  
 LP-LCP 94V-0  
 ⑧ Planting Category:  
 V\*:All Gold-Plated  
 G\*:Gold-Plated Contact  
 \*04-Gold Flash ; \*02-2u" ; \*03-3u" ; \*05-5u"  
 \*06-Gold Flash ; \*02-2u" ; \*03-30u" ; \*50-50u"  
 \*10-10u" ; \*15-15u" ; \*30-30u" ; \*50-50u"  
 SN-Bright tin plating 70u"  
 SN1-Bright tin plating 120u"Min. ;  
 SW-Fog Tin plating  
 Color:  
 Blank-natural color



REVISIONS  
Authorized Signatures

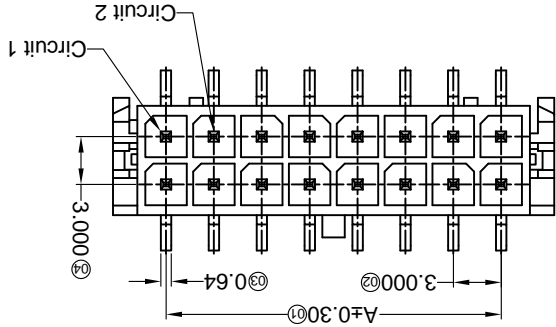
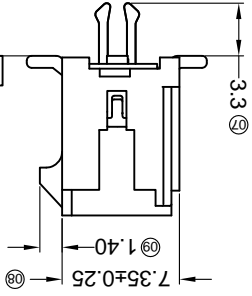
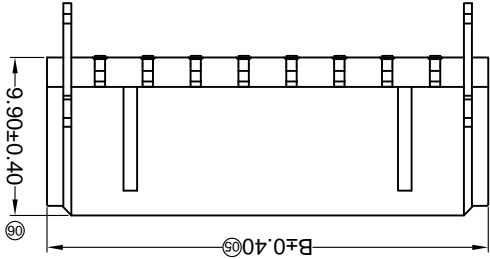
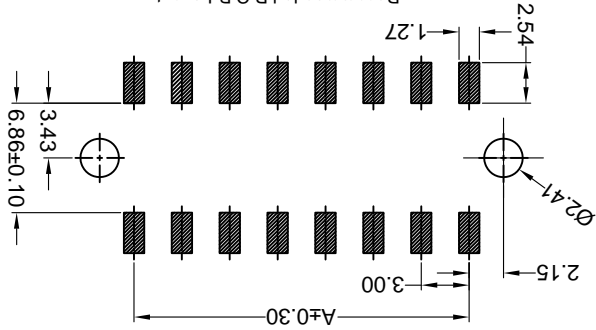
MARK	DESCRIPTION	DATE	REVISED	APPROVED	UNSPECIFIED TOLERANCES
△ X					L > 63
△ X					16 < L ≤ 63
△ X					4 < L ≤ 16
△ X					L ≤ 4
					ANGULAR
					± 5°

For and on behalf of  
XKB INDUSTRIAL PRECISION CO., LIMITED  
香港星坤工業精密有限公司

XKB INDUSTRIAL PRECISION CO., LIMITED

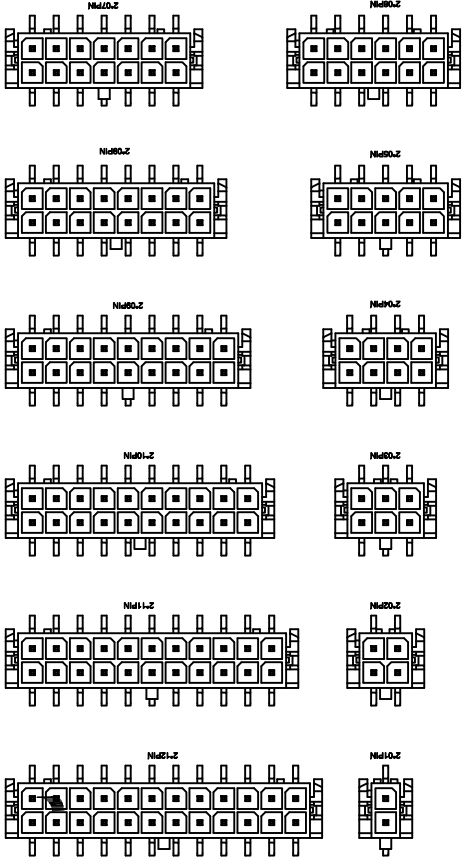
MODEL TYPE:	X3025WVS-2*XXC-LPSW
PART NO.:	3.00 mm Crimp Style Connectors
DWG NO.:	
SIZE:	A4
UNIT:	mm
VIEW:	
SCALE:	N/A
DATE:	
DNSD	
DWN	
CHKD	
APPD	
WEIGHT	1.0g
SHEET	1/1
REVISION	A0

Recommended P.C.B Layout  
General Tolerance±0.05



PART NO	Material	Material (Pin)	Material (Pin)	Material (Solder Tabs)	Material (Finish)	Mates With XKB Housing
X3025WVS-2*XXC-LPSN	LCP UL 94V-0	Brass	Brass	Brass	Tin-Plated	X3025H
X3025WVS-2*XXC-LPSW	LCP UL 94V-0	Brass	Brass	Brass	Mate tin	

Poles	Dimensions(mm)		Poles		Dimensions(mm)	
	A	B	A	B	A	B
2*01	---	6.65	2*07	18.00	24.65	
2*02	3.00	9.65	2*08	21.00	27.65	
2*03	6.00	12.65	2*09	24.00	30.65	
2*04	9.00	15.65	2*10	27.00	33.65	
2*05	12.00	18.65	2*11	30.00	36.65	
2*06	15.00	21.65	2*12	33.00	39.65	



- Series No. ① ② ③ ④ ⑤ ⑥ ⑦ ⑧ ⑨
- X3025 W V S-2\*XX C-LP XX XX
- ① Color: Blank-Natural color
  - ② SN-Bright tin plating : SW-Matte Tin plating
  - ③ Plating Category:
  - ④ Material: LP-LCP 94V-0
  - ⑤ Plug the Pin & Special No.: C-The Harpoon
  - ⑥ Row No-Pin No.: 2\*XX-2\*01P~2\*12P
  - ⑦ Welding Way: S-SMT
  - ⑧ Welding Board Angle: V- Straight 180°
  - ⑨ Category: W-water

- Specifications :
- Voltage rating: 250V AC / DC
  - Current rating: 5A AC / DC
  - Withstanding voltage: 1000V AC/minute
  - Temperature range: -25°C~+85°C
  - Insulation resistance: ≥1000MΩ
  - Contact resistance: ≤10mΩ
  - After environmental testing: ≤20mΩ



REVISIONS  
*Authorized Signature(s)*

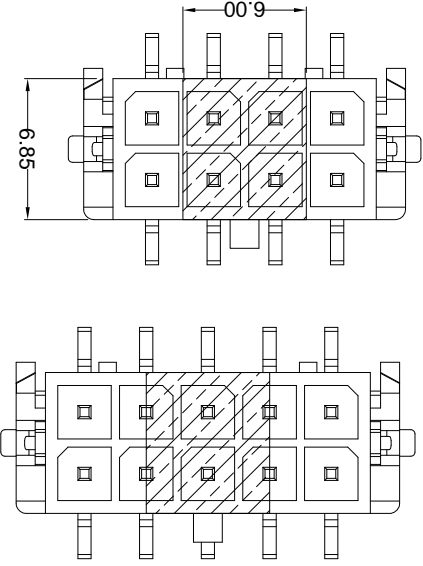
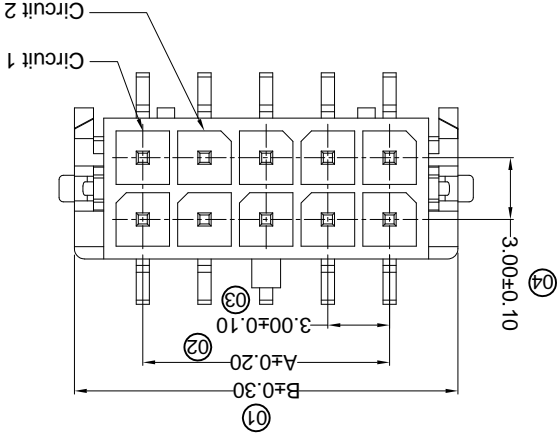
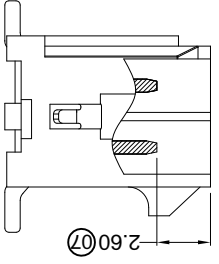
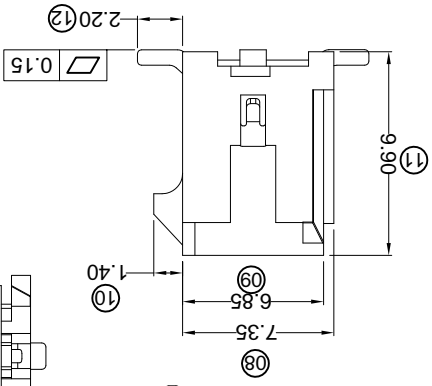
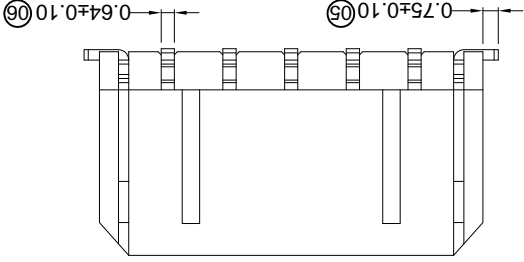
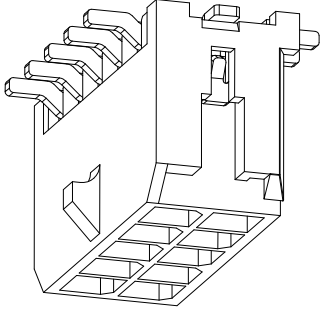
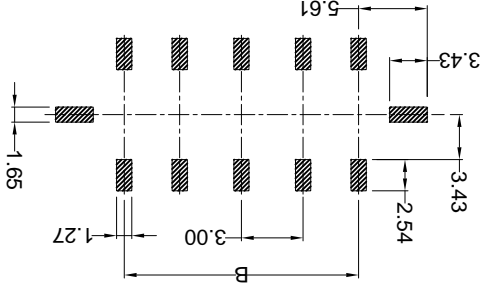
MARK	DESCRIPTION	DATE	REVISED	APPROVED	UNSPECIFIED TOLERANCES
△ X					L > 63 ± 0.5
△ X					16 > L ≤ 63 ± 0.4
△ X					4 < L ≤ 16 ± 0.3
					L ≤ 4 ± 0.2
					ANGULAR ± 5°

For and on behalf of  
**XKB INDUSTRIAL PRECISION CO., LIMITED**  
香港星坤工業精密有限公司

**XKB INDUSTRIAL PRECISION CO., LIMITED**

WEIGHT	1.0g	SHEET	1/1	REVISION	A0
SIZE:	A4	DATE		DATE	
UNIT:	mm	DATE		DATE	
VIEW:		DATE		DATE	
SCALE:	N/A	DATE		DATE	
MODEL TYPE:	X3025WVS-2*XXD-LPSW				
PART NO.:					
3.00 mm Crimp Style Connectors					
DWG NO.:					

P.C.B. LAYOUT



PART NO	Material	Material(Pin)	Finish(Pin)	Dimensions(mm)	
				A	B
X3025WVS-2*XXD-LPSW	LCP UL 94V-0	Brass	Matte tin	2*06	2*06
		Brass	Matte tin	2*05	2*05
		Brass	Matte tin	2*04	2*04
		Brass	Matte tin	2*03	2*03
		Brass	Matte tin	2*02	2*02
		Brass	Matte tin	2*01	2*01
		Brass	Matte tin	2*06	2*06
		Brass	Matte tin	2*05	2*05
		Brass	Matte tin	2*04	2*04
		Brass	Matte tin	2*03	2*03
		Brass	Matte tin	2*02	2*02
		Brass	Matte tin	2*01	2*01

- ① Series No.
- ② Category: W-water
- ③ Weiding Board Angle: V- Stright 180°
- ④ Weiding Way: S-SMT
- ⑤ Row No.-Pin No.: 2\*XX-2\*01P-2\*12P
- ⑥ Plug the Pin & Special No.: D-Solder Tabs
- ⑦ Material: LP-LCP 94V-0
- ⑧ Planting Category:
- ⑨ SN-Bright tin plating ; SW-Matte Tin plating
- ⑩ Color: Blank-Natural color

X3025 W V S-2\*XX D-LP XX XX

- Voltage rating: 250V AC / DC
- Current rating: 5A AC / DC
- Withstanding voltage: 1000V AC/minute
- Temperature range: -25°C~+85°C
- Insulation resistance: ≥1000MΩ
- Contact resistance: ≤10mΩ
- After environmental testing: ≤20mΩ

■ Specifications :

## X-ON Electronics

Largest Supplier of Electrical and Electronic Components

*Click to view similar products for [Headers & Wire Housings](#) category:*

*Click to view products by [XKB](#) manufacturer:*

Other Similar products are found below :

[95000-104TRLF](#) [10135584-644402LF](#) [DF62W-EP2022PCA](#) [95000-106TRLF](#) [DF62W-2022SCA](#) [DF62W-EP2022PC](#) [2203348](#) [DF62W-2022SC](#) [1084018](#) [1029039](#) [1084017](#) [802-10-012-10-002000](#) [1112640](#) [1112639](#) [891-007-9SS-BST1T](#) [000-34000](#) [0008550134](#) [0009482033](#) [0009507031](#) [57102-F02-18ULF](#) [57102-S06-03LF](#) [57202-S52-04LF](#) [PCN6-15S-2.5E](#) [0039019024](#) [58102-G61-06LF](#) [582553-1](#) [0009485154](#) [0009508121](#) [0022285053](#) [0050291907](#) [018731A](#) [LY20-4P-DT1-P1E-BR](#) [02.125.8002.8](#) [60101931](#) [60598-1 \(Cut Strip\)](#) [M1625-3R/100](#) [61062-3](#) [61082-181009](#) [CSU011177004](#) [636-1427](#) [638009-1](#) [641938-9](#) [641991-4](#) [644168-1](#) [644827-2](#) [647662-1](#) [65039-019ELF](#) [65692-001LF](#) [65781-018](#) [65781-047](#)