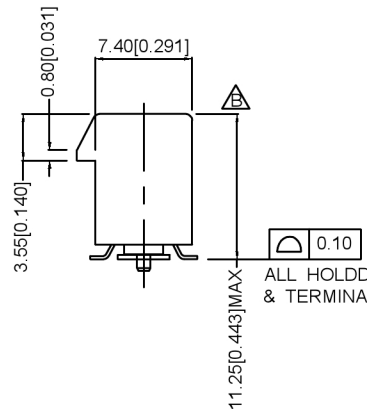


SECTION F-F



| DIMENSIONS |        |        |        |        |        |
|------------|--------|--------|--------|--------|--------|
| POSITION   | A±0.20 | B±0.20 | C±0.25 | D±0.25 | E±0.25 |
| 36         | 6      | 7.65   | 9.15   | 25.00  | 27.00  |
| 64         | 20     | 21.65  | 23.15  | 39.00  | 41.00  |
| 98         | 37     | 38.65  | 40.15  | 56.00  | 58.00  |
| 164        | 70     | 71.65  | 73.15  | 89.00  | 91.00  |

NOTES 注释:

1. MATERIAL 材料:

1.1 HOUSING 外壳: THERMOPLASTIC, HIGH TEMP., UL94V-0; COLOR: BLACK.

1.2 CONTACTS 触点: COPPER ALLOY.

1.3 HOLDDOWN 压具: COPPER ALLOY.

2. FINISH 饰面:

2.1 CONTACT 触点:

SELECTIVE GOLD PLATING ON CONTACT AREA.  
100μ" MIN. MATTE TIN PLATING ON SOLDER TAILS,  
50μ" MIN. NICKEL UNDERPLATING OVERALL.

2.2 HOLDDOWN 压具:

100μ" MIN. MATTE TIN PLATING WITH 50μ" MIN. NICKEL  
UNDERPLATE OVERALL

X3113 W V S - XX - 9T V01

① ② ③ ④ ⑤ ⑥ ⑦

① Series Number

② Terminal form: W-Wafer

③ Welding Board Angle : V-Stright Angle 180°

④ Welding Way: S-SMT

⑤ No. of Pins: 36~164 Pin

⑥ Plastic material: PA9T/PA46 UL94V-0

⑦ Contact Plating: V01-Gold Flash

V15-Gold 15u"

V30-Gold 30u"

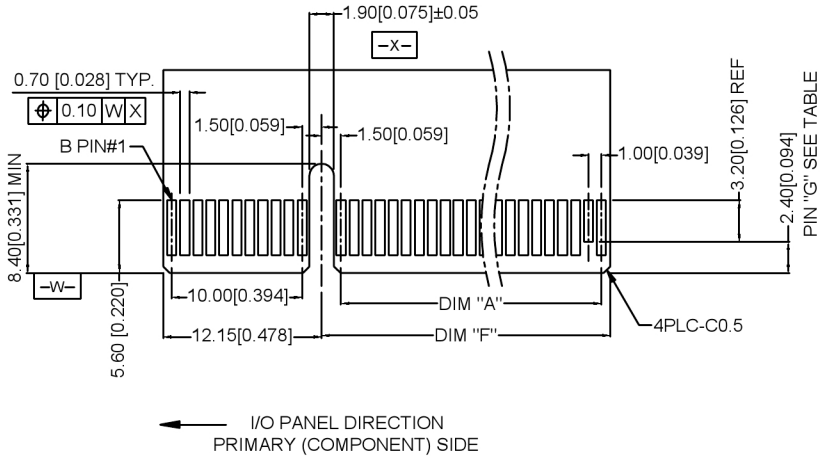
广东星坤科技股份有限公司

|      |             |
|------|-------------|
| ΔX   | 日期          |
| ΔX   | 日期          |
| ΔX   | 日期          |
| MARK | DESCRIPTION |
| 文件   | 工程章         |

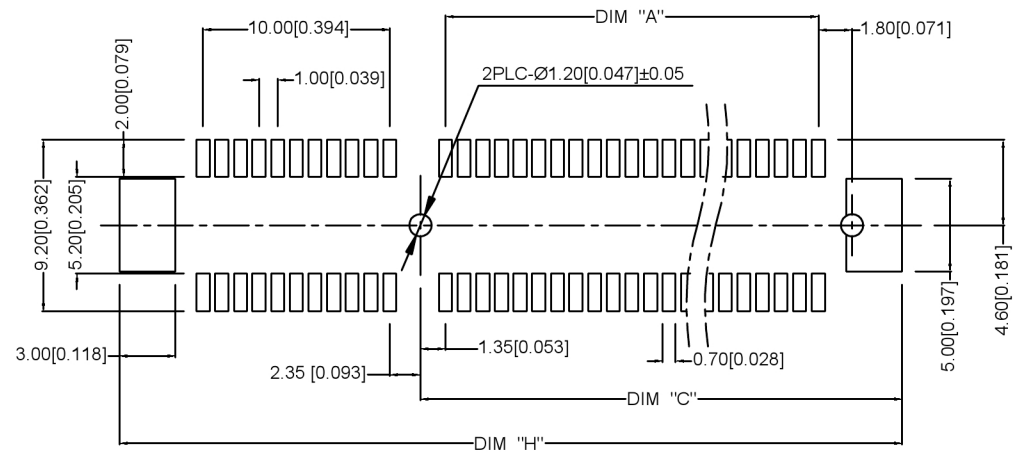
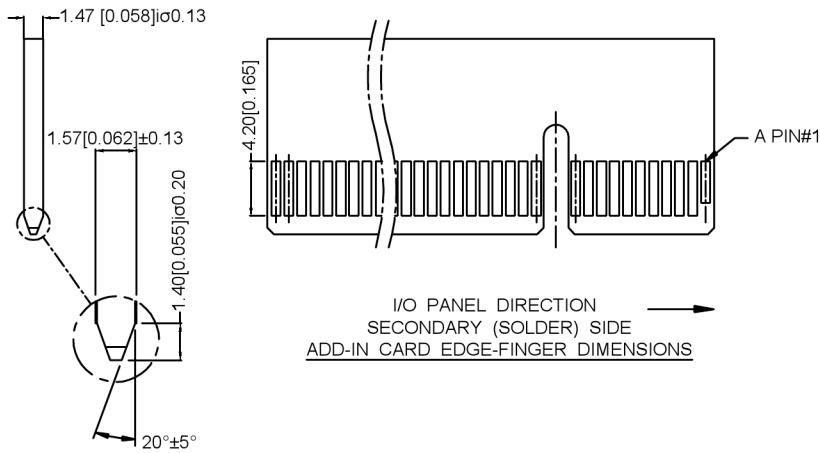
| REVISIONS              | DATE | REVISED | APPROVED | ANGLAR      | ±5°  |
|------------------------|------|---------|----------|-------------|------|
|                        |      |         |          | L ≤ 4       | ±0.2 |
|                        |      |         |          | 4 < L ≤ 16  | ±0.3 |
|                        |      |         |          | 16 < L ≤ 63 | ±0.4 |
|                        |      |         |          | L > 63      | ±0.5 |
| UNSPECIFIED TOLERANCES |      |         |          |             |      |



|  |             |                              |
|--|-------------|------------------------------|
| DSND                                   | SCALE: N/A  | MODEL TYPE:                  |
| DWN                                    | VIEW:       | PART NO.: X3113WVS-XX-9TV01  |
| CHKD                                   | UNIT: mm/in | DWG NO.: X-X3113WVS-XX-9TV01 |
| APPD                                   | SIZE: A4    | WEIGHT SHEET REVISION        |
| XKKB INDUSTRIAL PRECISION CO., LIMITED |             | 1/1 A0                       |



| DIMENSIONS |        |        |        |          |        |
|------------|--------|--------|--------|----------|--------|
| POSITION   | A±0.10 | F±0.20 | C±0.10 | G        | H±0.10 |
| 36         | 6      | 8.15   | 9.15   | B PIN#17 | 28.00  |
| 64         | 20     | 22.15  | 23.15  | B PIN#31 | 42.00  |
| 98         | 37     | 39.15  | 40.15  | B PIN#48 | 59.00  |
| 164        | 70     | 72.15  | 73.15  | B PIN#81 | 92.00  |



SCALE 2:1

RECOMMENDED PCB LAYOUT, POST TYPE

广东星坤科技股份有限公司

|             |       |
|-------------|-------|
| DATE        | 日期    |
| DESCRIPTION | 文件工程章 |
| REVISIONS   |       |

| MARK                   | DESCRIPTION | DATE | REVISED | APPROVED | ANGLAR      | ±5°  |
|------------------------|-------------|------|---------|----------|-------------|------|
|                        |             |      |         |          | L ≤ 4       | ±0.2 |
|                        |             |      |         |          | 4 < L ≤ 16  | ±0.3 |
|                        |             |      |         |          | 16 < L ≤ 63 | ±0.4 |
|                        |             |      |         |          | L > 63      | ±0.5 |
| UNSPECIFIED TOLERANCES |             |      |         |          |             |      |



|                                       |             |                              |
|---------------------------------------|-------------|------------------------------|
| DSND                                  | SCALE: N/A  | MODEL TYPE:                  |
| DWN                                   | VIEW:       | PART NO.: X3113WVS-XX-9TV01  |
| CHKD                                  | UNIT: mm/in | DWG NO.: X-X3113WVS-XX-9TV01 |
| APPD                                  | SIZE: A4    | WEIGHT                       |
| XKB INDUSTRIAL PRECISION CO., LIMITED |             | SHEET 1/1                    |
|                                       |             | REVISION A0                  |

## X-ON Electronics

Largest Supplier of Electrical and Electronic Components

*Click to view similar products for [Standard Card Edge Connectors](#) category:*

*Click to view products by [XKB](#) manufacturer:*

Other Similar products are found below :

[CR7E-30DB-3.96E\(72\)](#) [6565204-6](#) [1437274-4](#) [EBT15622B2X](#) [EBT156-22R2W](#) [1-582587-1](#) [284-0102-12100](#) [286-0052-12101A](#)  
[306022901000000](#) [307-056-520-300](#) [A6D22DS29C2](#) [1926088-2](#) [245-062-520-350](#) [287-0032-12101](#) [306-028-525-102](#) [307-072-526-202](#) [345-](#)  
[060-559-303](#) [534671-1](#) [341-240-317](#) [345-044-500-300](#) [346-240-318](#) [395-100-524-300](#) [09-07-2032](#) [10035388-802LF](#) [10115859-011LF](#)  
[10122859-009LF](#) [101269333204245CLF](#) [530555-1](#) [66925-516LF](#) [5145409-2](#) [73726-0005](#) [66308-1](#) [5036A30](#) [PEC-07-02-T-S-A](#) [KSLX-62-](#)  
[BR](#) [CE100F26-7-C](#) [CE100F28-3-D](#) [CE100F28-4-D](#) [CE156F22-9-C](#) [CT100F24-3-D](#) [CT100F24-6-C](#) [MLSS100-12-C](#) [SCC100F-11-C](#)  
[SCC100F-20-C](#) [SCC100F-24-C](#) [SCC100F-25-C](#) [3-530656](#) [285-0112-12300](#) [346-068-556-300](#) [284-0492-11000](#)