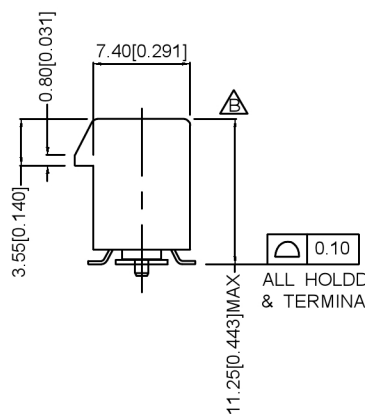


SECTION F-F



| DIMENSIONS | | | | | |
|------------|--------|--------|--------|--------|--------|
| POSITION | A±0.20 | B±0.20 | C±0.25 | D±0.25 | E±0.25 |
| 36 | 6 | 7.65 | 9.15 | 25.00 | 27.00 |
| 64 | 20 | 21.65 | 23.15 | 39.00 | 41.00 |
| 98 | 37 | 38.65 | 40.15 | 56.00 | 58.00 |
| 164 | 70 | 71.65 | 73.15 | 89.00 | 91.00 |

NOTES 注释:

1. MATERIAL 材料:

- 1.1 HOUSING 外壳: THERMOPLASTIC, HIGH TEMP., UL94V-0; COLOR: BLACK.
- 1.2 CONTACTS 触点: COPPER ALLOY.
- 1.3 HOLDDOWN 压具: COPPER ALLOY.

2. FINISH 饰面:

- 2.1 CONTACT 触点: SELECTIVE GOLD PLATING ON CONTACT AREA. 100μ" MIN. MATTE TIN PLATING ON SOLDER TAILS, 50μ" MIN. NICKEL UNDERPLATING OVERALL.
- 2.2 HOLDDOWN 压具: 100μ" MIN. MATTE TIN PLATING WITH 50μ" MIN. NICKEL UNDERPLATE OVERALL

X3113 W V S - XX - 9T V01

- ① ② ③ ④ ⑤ ⑥ ⑦

- ① Series Number
- ② Terminal form: W-Wafer
- ③ Welding Board Angle : V-Stright Angle 180°
- ④ Welding Way: S-SMT
- ⑤ No. of Pins: 36~164 Pin
- ⑥ Plastic material: PA9T/PA46 UL94V-0
- ⑦ Contact Plating: V01-Gold Flash
V15-Gold 15u"
V30-Gold 30u"

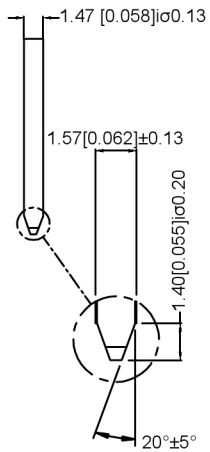
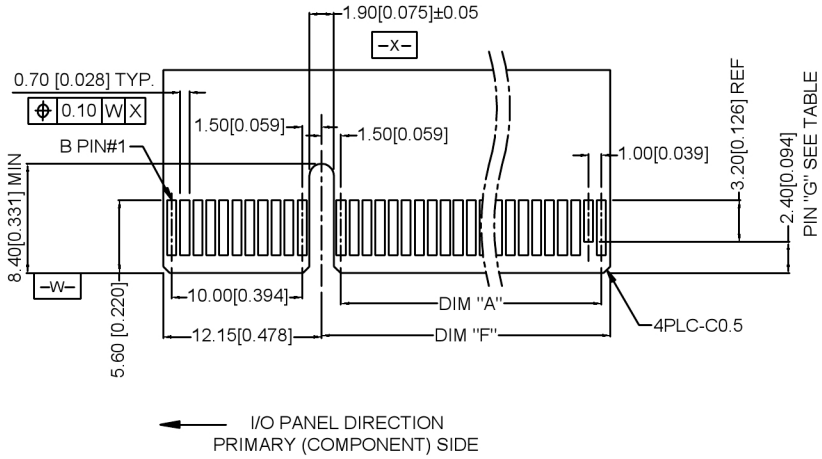
广东星坤科技股份有限公司

| MARK | REVISIONS | DESCRIPTION | DATE | REVISED | APPROVED | ANGLAR | ±5° |
|------|-----------|-------------|------|---------|----------|------------------------|------|
| ΔX | | 日期 | | | | L ≤ 4 | ±0.2 |
| ΔX | | 日期 | | | | 4 < L ≤ 16 | ±0.3 |
| ΔX | | 日期 | | | | 16 < L ≤ 63 | ±0.4 |
| | | | | | | L > 63 | ±0.5 |
| | | | | | | UNSPECIFIED TOLERANCES | |

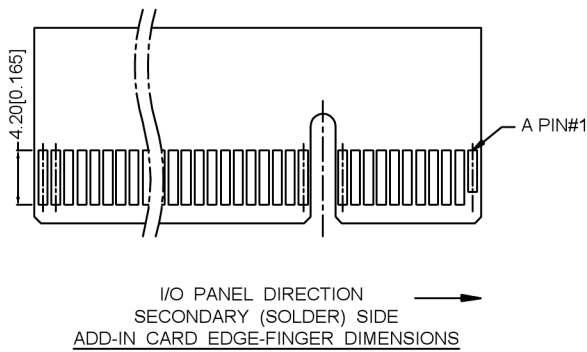


| | | | |
|------|--|-------------|------------------------------|
| DSND | | SCALE: N/A | MODEL TYPE: |
| DWN | | VIEW: | PART NO.: X3113WVS-XX-9TV01 |
| CHKD | | UNIT: mm/in | DWG NO.: X-X3113WVS-XX-9TV01 |
| APPD | | SIZE: A4 | WEIGHT SHEET REVISION |
| | | | 1/1 A0 |

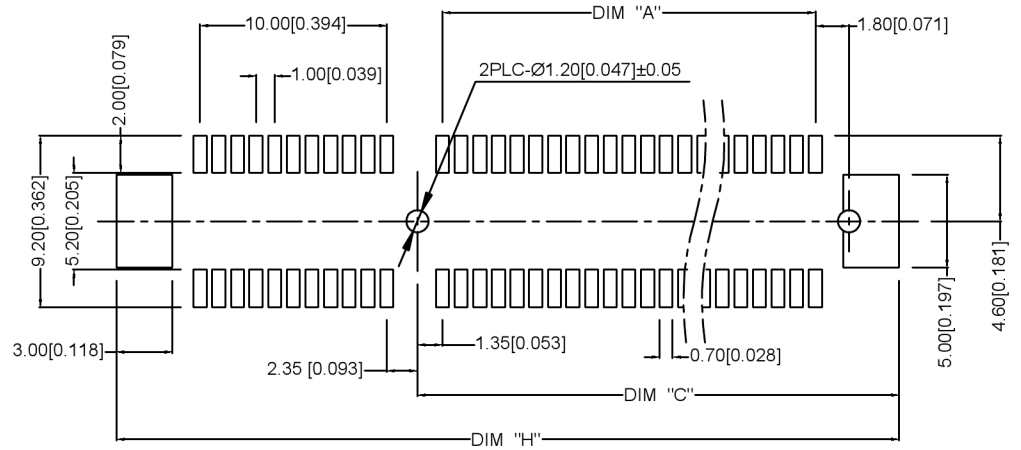
XKB INDUSTRIAL PRECISION CO., LIMITED



SCALE 2:1



| DIMENSIONS | | | | | |
|------------|--------|--------|--------|----------|--------|
| POSITION | A±0.10 | F±0.20 | C±0.10 | G | H±0.10 |
| 36 | 6 | 8.15 | 9.15 | B PIN#17 | 28.00 |
| 64 | 20 | 22.15 | 23.15 | B PIN#31 | 42.00 |
| 98 | 37 | 39.15 | 40.15 | B PIN#48 | 59.00 |
| 164 | 70 | 72.15 | 73.15 | B PIN#81 | 92.00 |



RECOMMENDED PCB LAYOUT, POST TYPE

广东星坤科技股份有限公司

| | |
|------|-------|
| DATE | 日期 |
| MARK | 文件工程章 |

| REVISIONS | DATE | REVISED | APPROVED | DESCRIPTION |
|-----------|------|---------|----------|-------------|
| | | | | |

UNSPECIFIED TOLERANCES

XKIB

| | | |
|---------------------------------------|-------------|------------------------------|
| DSND | SCALE: N/A | MODEL TYPE: |
| DWN | VIEW: | PART NO.: X3113WVS-XX-9TV01 |
| CHKD | UNIT: mm/in | DWG NO.: X-X3113WVS-XX-9TV01 |
| APPD | SIZE: A4 | WEIGHT SHEET REVISION |
| XKB INDUSTRIAL PRECISION CO., LIMITED | | 1/1 A0 |

X-ON Electronics

Largest Supplier of Electrical and Electronic Components

Click to view similar products for [Standard Card Edge Connectors](#) category:

Click to view products by [XKB](#) manufacturer:

Other Similar products are found below :

[CR7E-30DB-3.96E\(72\)](#) [6565204-6](#) [1437274-4](#) [EBT15622B2X](#) [EBT156-22R2W](#) [1-582587-1](#) [284-0102-12100](#) [286-0052-12101A](#)
[306022901000000](#) [307-056-520-300](#) [A6D22DS29C2](#) [1926088-2](#) [245-062-520-350](#) [287-0032-12101](#) [306-028-525-102](#) [307-072-526-202](#) [345-](#)
[060-559-303](#) [534671-1](#) [341-240-317](#) [345-044-500-300](#) [346-240-318](#) [395-100-524-300](#) [09-07-2032](#) [10035388-802LF](#) [10115859-011LF](#)
[10122859-009LF](#) [101269333204245CLF](#) [530555-1](#) [66925-516LF](#) [5145409-2](#) [73726-0005](#) [66308-1](#) [5036A30](#) [PEC-07-02-T-S-A](#) [KSLX-62-](#)
[BR](#) [CE100F26-7-C](#) [CE100F28-3-D](#) [CE100F28-4-D](#) [CE156F22-9-C](#) [CT100F24-3-D](#) [CT100F24-6-C](#) [MLSS100-12-C](#) [SCC100F-11-C](#)
[SCC100F-20-C](#) [SCC100F-24-C](#) [SCC100F-25-C](#) [3-530656](#) [285-0112-12300](#) [346-068-556-300](#) [284-0492-11000](#)