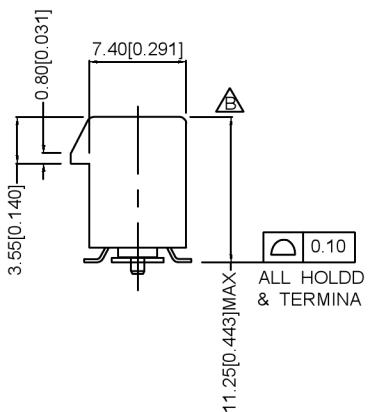


SECTION F-F



DIMENSIONS					
POSITION	A±0.20	B±0.20	C±0.25	D±0.25	E±0.25
36	6	7.65	9.15	25.00	27.00
64	20	21.65	23.15	39.00	41.00
98	37	38.65	40.15	56.00	58.00
164	70	71.65	73.15	89.00	91.00

NOTES 注释:

1. MATERIAL 材料:
 - 1.1 HOUSING 外壳: THERMOPLASTIC, HIGH TEMP., UL94V-0; COLOR: BLACK.
 - 1.2 CONTACTS 触点: COPPER ALLOY.
 - 1.3 HOLDDOWN 压具: COPPER ALLOY.
2. FINISH 饰面:
 - 2.1 CONTACT 触点: SELECTIVE GOLD PLATING ON CONTACT AREA. 100μ" MIN. MATTE TIN PLATING ON SOLDER TAILS, 50μ" MIN. NICKEL UNDERPLATING OVERALL.
 - 2.2 HOLDDOWN 压具: 100μ" MIN. MATTE TIN PLATING WITH 50μ" MIN. NICKEL UNDERPLATE OVERALL

X3113 W V S - XX - 9T V01

① ② ③ ④ ⑤ ⑥ ⑦

- ① Series Number
- ② Terminal form: W-Wafer
- ③ Welding Board Angle : V-Stright Angle 180°
- ④ Welding Way: S-SMT
- ⑤ No. of Pins: 36~164 Pin
- ⑥ Plastic material: PA9T/PA46 UL94V-0
- ⑦ Contact Plating: V01-Gold Flash
V15-Gold 15u"
V30-Gold 30u"

广东星坤科技股份有限公司

ΔX	日期
ΔX	日期
ΔX	日期
MARK	DESCRIPTION
文件	工程章

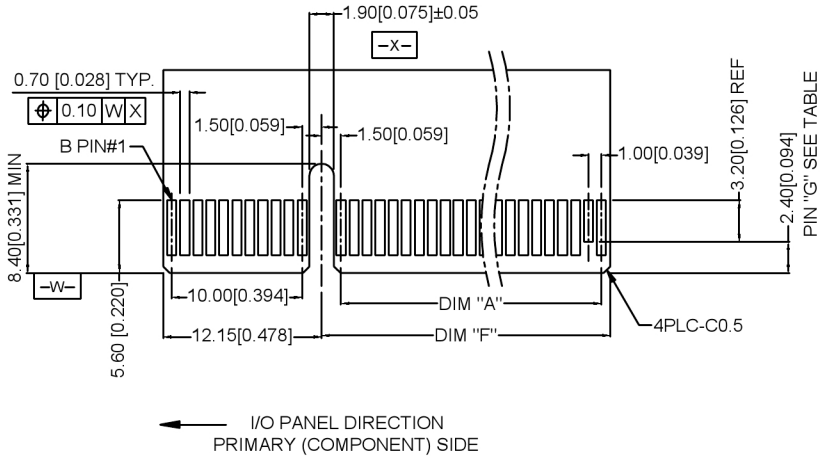
www.helloxkb.com www.helloxkb.cn www.xk-dg.cn

REVISIONS	DATE	REVISED	APPROVED	ANGLAR	±5°
				L ≤ 4	±0.2
				4 < L ≤ 16	±0.3
				16 < L ≤ 63	±0.4
				L > 63	±0.5
					UNSPECIFIED TOLERANCES

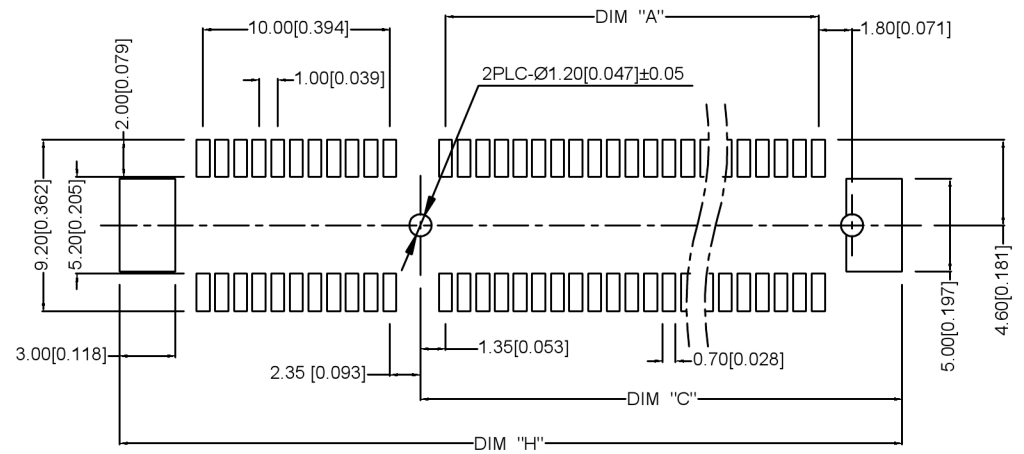
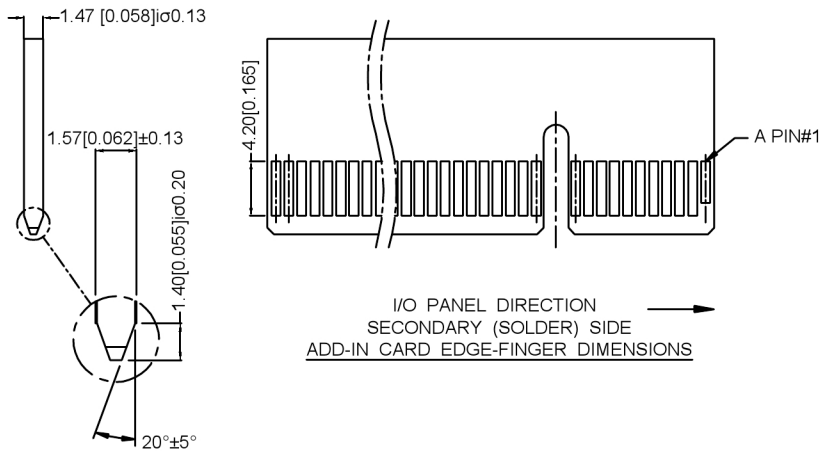


DSND	SCALE: N/A	MODEL TYPE:
DWN	VIEW:	PART NO.: X3113WVS-XX-9TV01
CHKD	UNIT: mm/in	DWG NO.: X-X3113WVS-XX-9TV01
APPD	SIZE: A4	WEIGHT SHEET REVISION
		1/1 A0

XKKB INDUSTRIAL PRECISION CO., LIMITED



DIMENSIONS					
POSITION	A±0.10	F±0.20	C±0.10	G	H±0.10
36	6	8.15	9.15	B PIN#17	28.00
64	20	22.15	23.15	B PIN#31	42.00
98	37	39.15	40.15	B PIN#48	59.00
164	70	72.15	73.15	B PIN#81	92.00



SCALE 2:1

RECOMMENDED PCB LAYOUT, POST TYPE

广东星坤科技股份有限公司

DATE	日期
MARK	文件工程章

REVISIONS	DESCRIPTION	DATE	REVISED	APPROVED	UNSPECIFIED TOLERANCES

ANGLAR	±5°
L ≤ 4	±0.2
4 < L ≤ 16	±0.3
16 < L ≤ 63	±0.4
L > 63	±0.5



DSND	SCALE: N/A	MODEL TYPE:
DWN	VIEW:	PART NO.: X3113WVS-XX-9TV01
CHKD	UNIT: mm/in	DWG NO.: X-X3113WVS-XX-9TV01
APPD	SIZE: A4	WEIGHT SHEET REVISION
		1/1 A0

XKB INDUSTRIAL PRECISION CO., LIMITED

X-ON Electronics

Largest Supplier of Electrical and Electronic Components

Click to view similar products for [Standard Card Edge Connectors](#) category:

Click to view products by [XKB](#) manufacturer:

Other Similar products are found below :

[CR7E-30DB-3.96E\(72\)](#) [6565204-6](#) [1437274-4](#) [EBT15622B2X](#) [EBT156-22R2W](#) [1-582587-1](#) [284-0102-12100](#) [286-0052-12101A](#)
[306022901000000](#) [307-056-520-300](#) [A6D22DS29C2](#) [1926088-2](#) [245-062-520-350](#) [287-0032-12101](#) [306-028-525-102](#) [307-072-526-202](#) [345-](#)
[060-559-303](#) [534671-1](#) [341-240-317](#) [345-044-500-300](#) [346-240-318](#) [395-100-524-300](#) [09-07-2032](#) [10035388-802LF](#) [10115859-011LF](#)
[10122859-009LF](#) [101269333204245CLF](#) [530555-1](#) [66925-516LF](#) [5145409-2](#) [73726-0005](#) [66308-1](#) [5036A30](#) [PEC-07-02-T-S-A](#) [KSLX-62-](#)
[BR](#) [CE100F26-7-C](#) [CE100F28-3-D](#) [CE100F28-4-D](#) [CE156F22-9-C](#) [CT100F24-3-D](#) [CT100F24-6-C](#) [MLSS100-12-C](#) [SCC100F-11-C](#)
[SCC100F-20-C](#) [SCC100F-24-C](#) [SCC100F-25-C](#) [3-530656](#) [285-0112-12300](#) [346-068-556-300](#) [284-0492-11000](#)