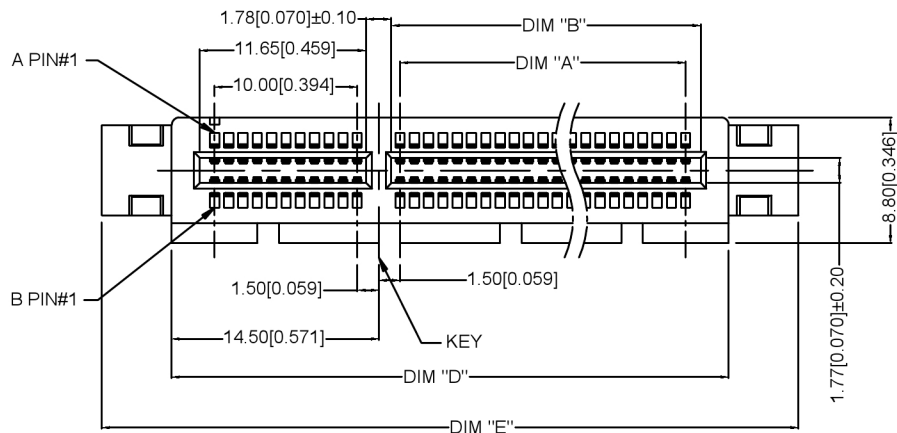


STRADDLE MOUNT WITH MOUNTING EAR TYPE

DIMENSIONS					
POSITION	A±0.20	B±0.15	C±0.20	D±0.25	E±0.30
36	6	7.65	12.30	25.00	34.8
64	20	21.65	26.30	39.00	48.8
98	37	38.65	43.30	56.00	65.8
164	70	71.65	76.30	89.00	98.8



NOTES 注释:

1. MATERIAL 材料:

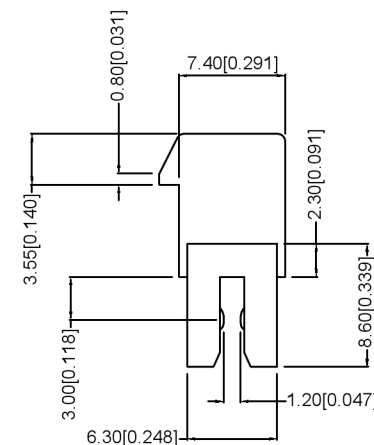
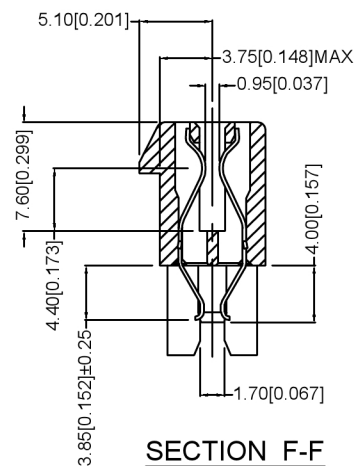
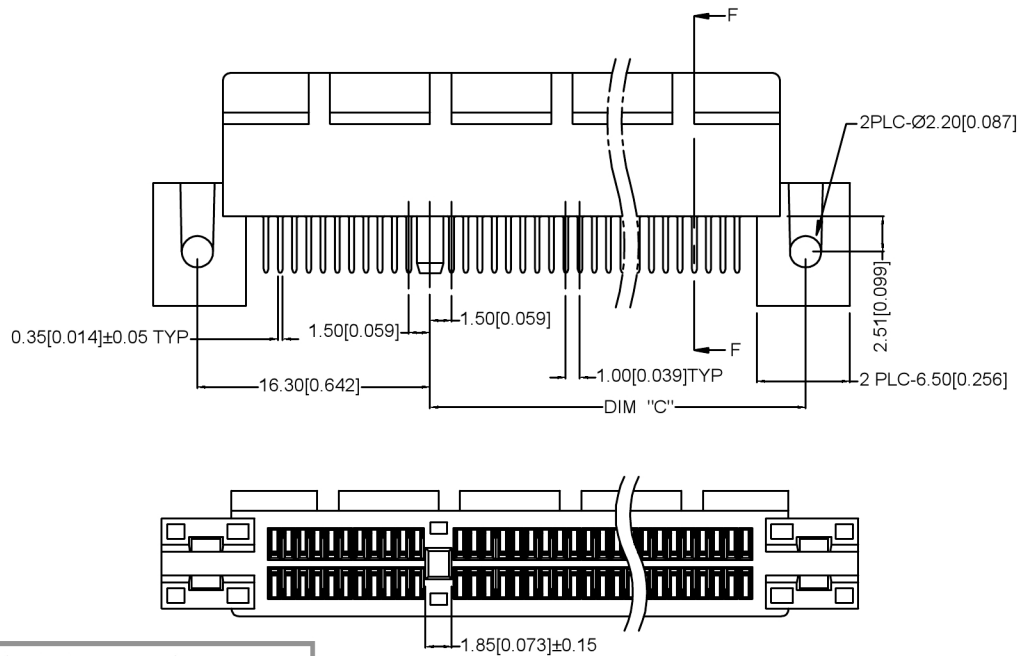
1.1 HOUSING 外壳: THERMOPLASTIC, HIGH TEMP., UL94V-0;
COLOR: BLACK.

1.2 CONTACTS 触点: COPPER ALLOY.

2. FINISH 饰面:

2.1 CONTACT 触点:

SELECTIVE GOLD PLATING ON CONTACT AREA.
100μ"MIN. MATTE TIN PLATING ON SOLDER TAILS,
50μ" MIN. NICKEL UNDERPLATING OVERALL.



广东星坤科技股份有限公司

Δ	日期
Δ	日期
Δ	日期

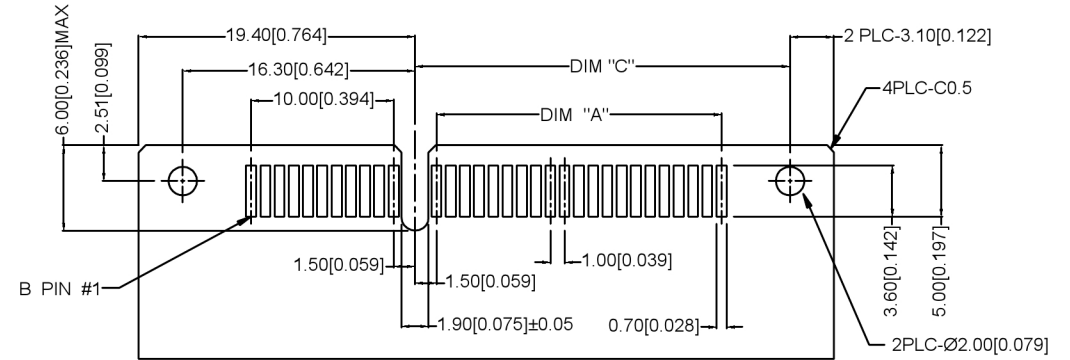
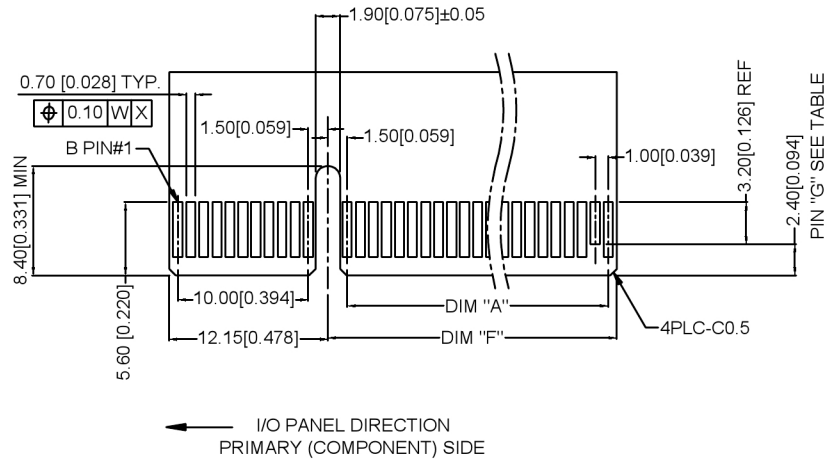
文件工程章

MARK	DESCRIPTION	DATE	REVISED	APPROVED	UNSPECIFIED TOLERANCES
	REVISIONS				
					ANGLAR ±5°
					L ≤ 4 ±0.2
					4 < L ≤ 16 ±0.3
					16 < L ≤ 63 ±0.4
					L > 63 ±0.5



XKB INDUSTRIAL PRECISION CO., LIMITED

DSND		SCALE: N/A	MODEL TYPE:
DWN		VIEW:	PART NO.: X3126WS-XX-9TV01
CHKD		UNIT: mm/in	DWG NO.: X-X3126WS-XX-9TV01
APPD		SIZE: A4	REVISION
		WEIGHT	SHEET 1/1
			REVISION A0

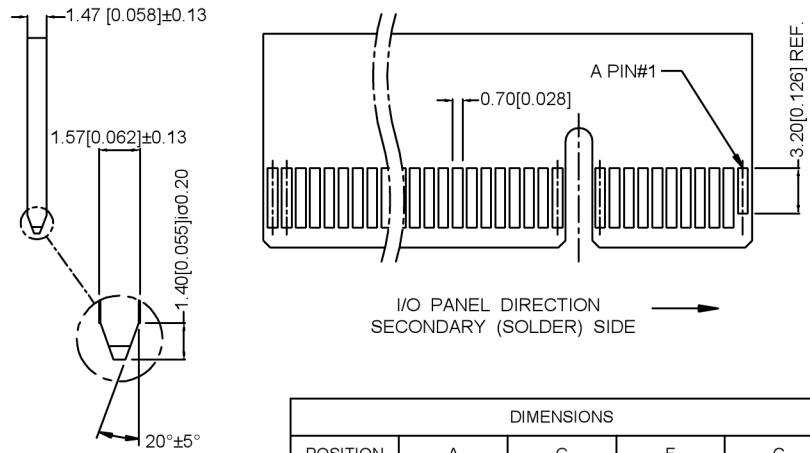


RECOMMENDED OF PCB DIMENSIONS
TOLERANCE: ±0.05

X3126 W S - XX - 9T V01

- ① ② ③ ④ ⑤ ⑥

- ① Series Number
- ② Terminal form: W-Wafer
- ③ Welding Board Angle : Straddle
- ④ No. of Pins: 36~164 Pin
- ⑤ Plastic material: PA9T/PA46 UL94V-0
- ⑥ Contact Plating: V01-Gold Flash
V15-Gold 15u"
V30-Gold 30u"



SCALE 2:1

DIMENSIONS				
POSITION	A	C	F	G
36	6	12.30	8.15	B PIN#17
64	20	26.30	22.15	B PIN#31
98	37	43.30	39.15	B PIN#48
164	70	76.30	72.15	B PIN#81

广东星坤科技股份有限公司

文件工程章

日期

REVISIONS

MARK

DESCRIPTION

DATE

REVISED

APPROVED

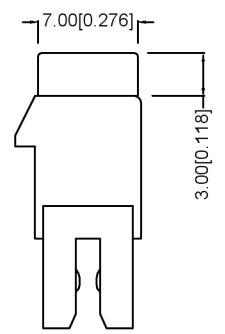
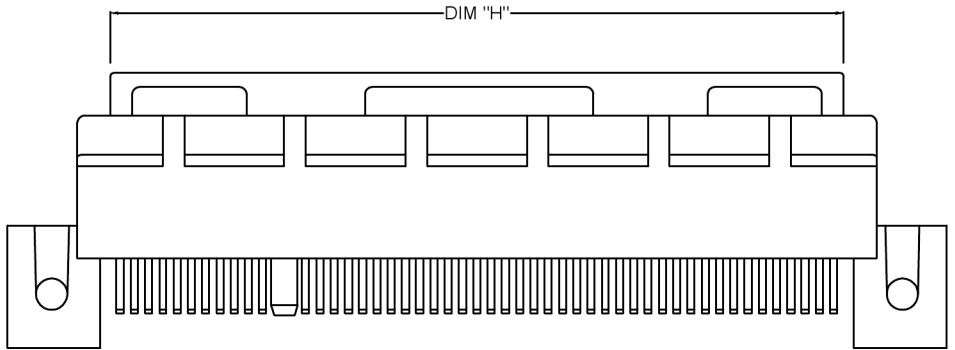
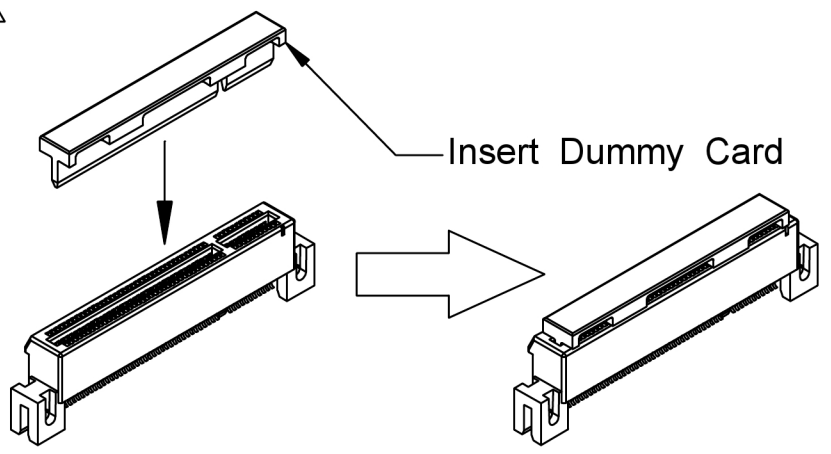
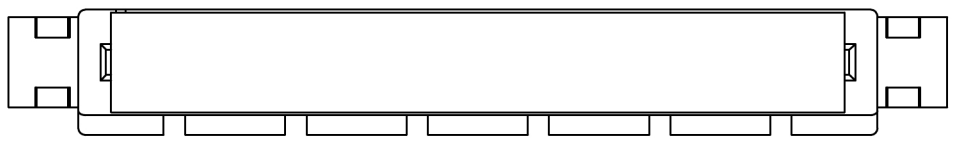
UNSPECIFIED TOLERANCES

ANGLAR	±5°
L ≤ 4	±0.2
4 < L ≤ 16	±0.3
16 < L ≤ 63	±0.4
L > 63	±0.5
UNSPECIFIED TOLERANCES	



DSND	SCALE: N/A	MODEL TYPE:
DWN	VIEW:	PART NO.: X3126WS-XX-9TV01
CHKD	UNIT: mm/in	DWG NO.: X-X3126WS-XX-9TV01
APPD	SIZE: A4	WEIGHT SHEET REVISION
XKB INDUSTRIAL PRECISION CO., LIMITED		1/1 A0

E



DIMENSIONS	
POSITION	H
36	20.4
64	34.4
98	51.4
164	84.4

广东星坤科技股份有限公司

文件工程章

MARK	DESCRIPTION	DATE	REVISED	APPROVED	UNSPECIFIED TOLERANCES
Δ*					ANGLAR ±5°
Δ*					L ≤ 4 ±0.2
Δ*					4 < L ≤ 16 ±0.3
					16 < L ≤ 63 ±0.4
					L > 63 ±0.5



DSND		SCALE: N/A
DWN		VIEW:
CHKD		UNIT: mm/in
APPD		SIZE: A4

MODEL TYPE:		
PART NO.: X3126WS-XX-9TV01		
DWG NO.: X-X3126WS-XX-9TV01		
WEIGHT	SHEET	REVISION
	1/1	A0

XKLB INDUSTRIAL PRECISION CO., LIMITED

X-ON Electronics

Largest Supplier of Electrical and Electronic Components

Click to view similar products for [Standard Card Edge Connectors](#) category:

Click to view products by [XKB](#) manufacturer:

Other Similar products are found below :

[CR7E-30DB-3.96E\(72\)](#) [6565204-6](#) [1437274-4](#) [EBT15622B2X](#) [EBT156-22R2W](#) [1-582587-1](#) [284-0102-12100](#) [286-0052-12101A](#)
[306022901000000](#) [307-056-520-300](#) [A6D22DS29C2](#) [1926088-2](#) [245-062-520-350](#) [287-0032-12101](#) [306-028-525-102](#) [307-072-526-202](#) [345-](#)
[060-559-303](#) [534671-1](#) [341-240-317](#) [345-044-500-300](#) [346-240-318](#) [395-100-524-300](#) [09-07-2032](#) [10035388-802LF](#) [10115859-011LF](#)
[10122859-009LF](#) [101269333204245CLF](#) [530555-1](#) [66925-516LF](#) [5145409-2](#) [73726-0005](#) [66308-1](#) [5036A30](#) [PEC-07-02-T-S-A](#) [KSLX-62-](#)
[BR](#) [CE100F26-7-C](#) [CE100F28-3-D](#) [CE100F28-4-D](#) [CE156F22-9-C](#) [CT100F24-3-D](#) [CT100F24-6-C](#) [MLSS100-12-C](#) [SCC100F-11-C](#)
[SCC100F-20-C](#) [SCC100F-24-C](#) [SCC100F-25-C](#) [3-530656](#) [285-0112-12300](#) [346-068-556-300](#) [284-0492-11000](#)