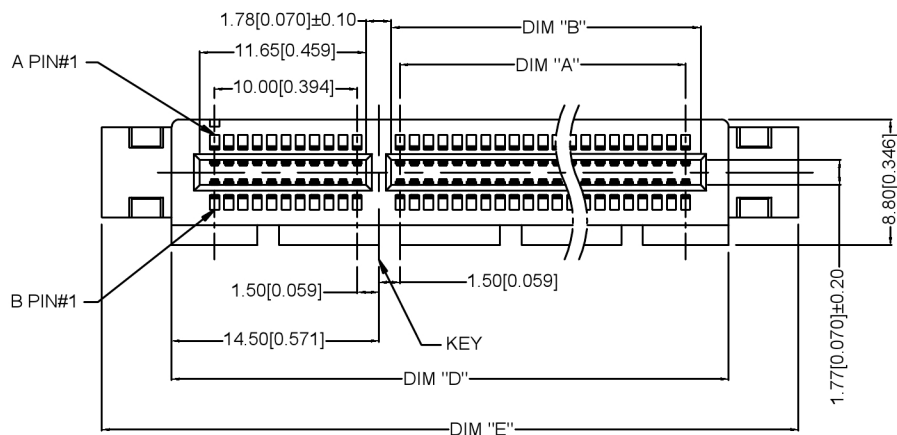


STRADDLE MOUNT WITH MOUNTING EAR TYPE

DIMENSIONS					
POSITION	A±0.20	B±0.15	C±0.20	D±0.25	E±0.30
36	6	7.65	12.30	25.00	34.8
64	20	21.65	26.30	39.00	48.8
98	37	38.65	43.30	56.00	65.8
164	70	71.65	76.30	89.00	98.8



NOTES 注释:

1. MATERIAL 材料:

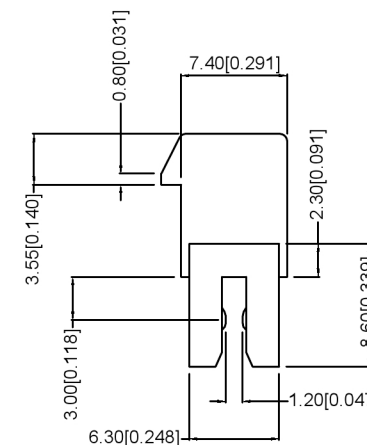
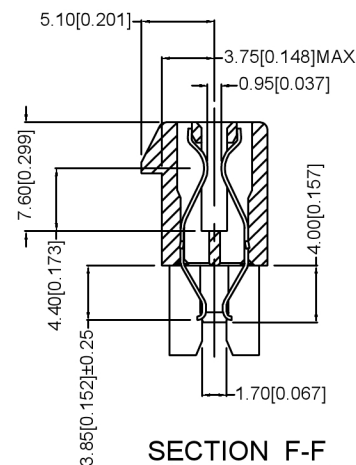
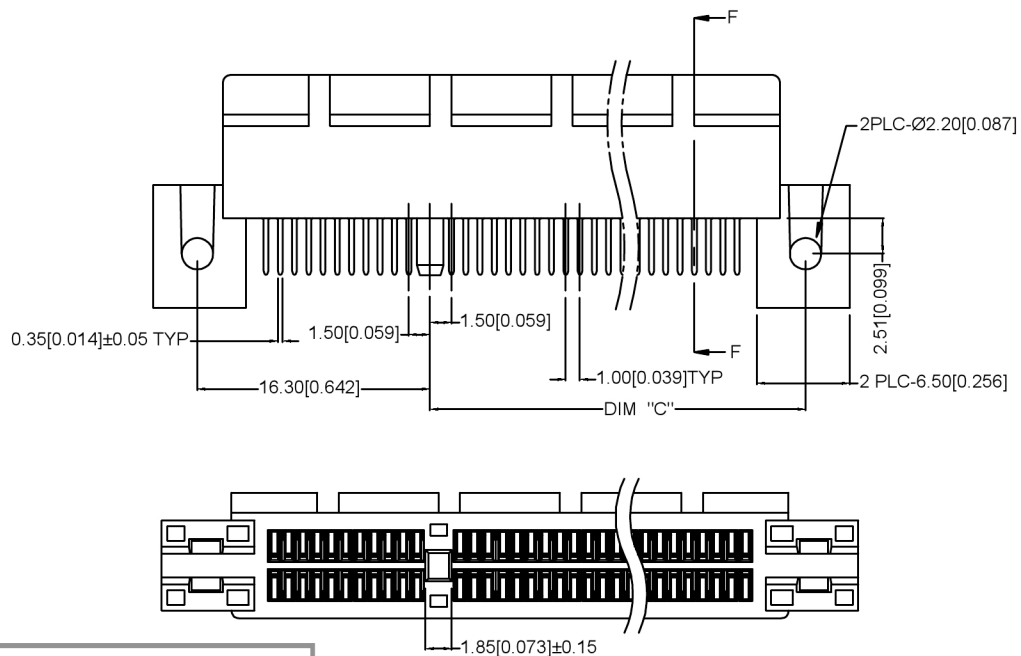
1.1 HOUSING 外壳: THERMOPLASTIC, HIGH TEMP., UL94V-0;
COLOR: BLACK.

1.2 CONTACTS 触点: COPPER ALLOY.

2. FINISH 饰面:

2.1 CONTACT 触点:

SELECTIVE GOLD PLATING ON CONTACT AREA.
100μ" MIN. MATTE TIN PLATING ON SOLDER TAILS,
50μ" MIN. NICKEL UNDERPLATING OVERALL.



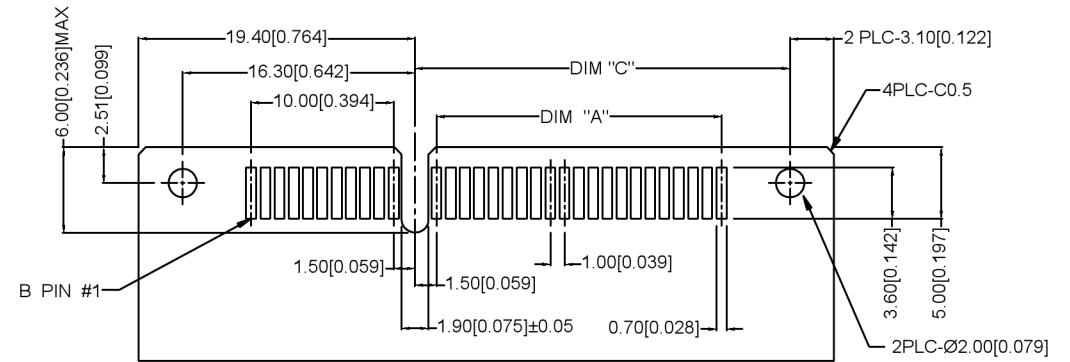
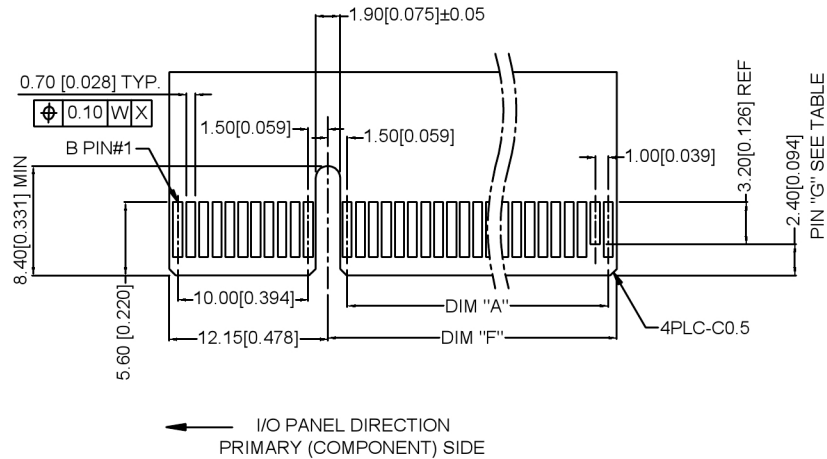
广东星坤科技股份有限公司

DATE	日期
DESCRIPTION	文件工程章

REVISIONS	DATE	REVISED	APPROVED	UNSPECIFIED TOLERANCES
				ANGLAR ±5°
				L ≤ 4 ±0.2
				4 < L ≤ 16 ±0.3
				16 < L ≤ 63 ±0.4
				L > 63 ±0.5



DSND	SCALE: N/A	MODEL TYPE:
DWN	VIEW:	PART NO.: X3126WS-XX-9TV01
CHKD	UNIT: mm/in	DWG NO.: X-X3126WS-XX-9TV01
APPD	SIZE: A4	WEIGHT SHEET REVISION
XKB INDUSTRIAL PRECISION CO., LIMITED		1/1 A0

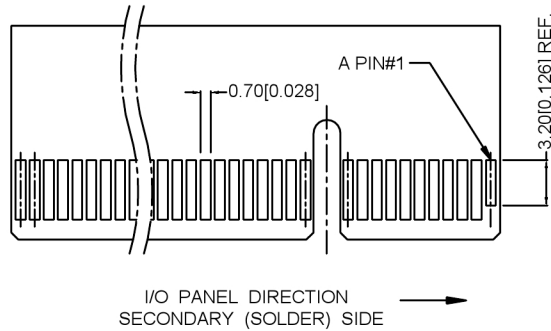
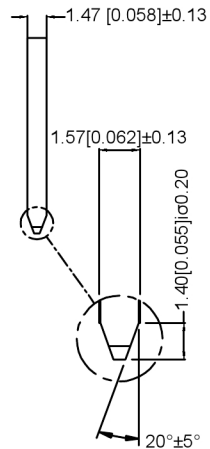


RECOMMENDED OF PCB DIMENSIONS
TOLERANCE: ±0.05

X3126 W S - XX - 9T V01

- ① ② ③ ④ ⑤ ⑥

- ① Series Number
- ② Terminal form: W-Wafer
- ③ Welding Board Angle : Straddle
- ④ No. of Pins: 36~164 Pin
- ⑤ Plastic material: PA9T/PA46 UL94V-0
- ⑥ Contact Plating: V01-Gold Flash
V15-Gold 15u"
V30-Gold 30u"



SCALE 2:1

DIMENSIONS				
POSITION	A	C	F	G
36	6	12.30	8.15	B PIN#17
64	20	26.30	22.15	B PIN#31
98	37	43.30	39.15	B PIN#48
164	70	76.30	72.15	B PIN#81

广东星坤科技股份有限公司

文件工程章

日期

REVISIONS

MARK

DESCRIPTION

DATE

REVISED

APPROVED

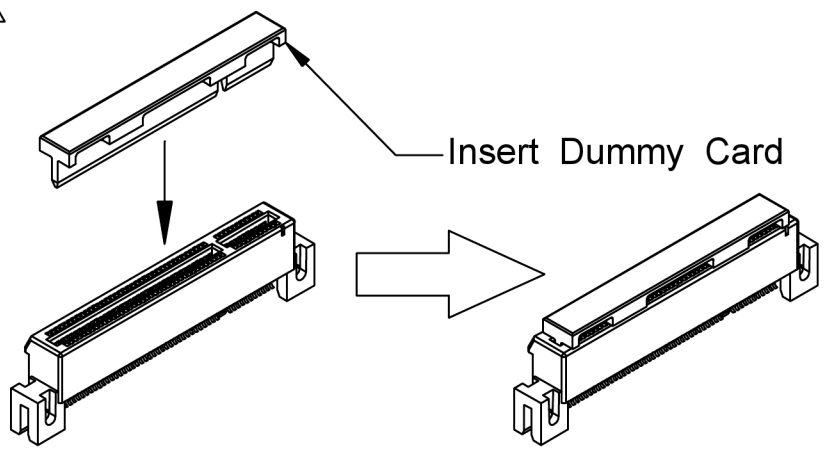
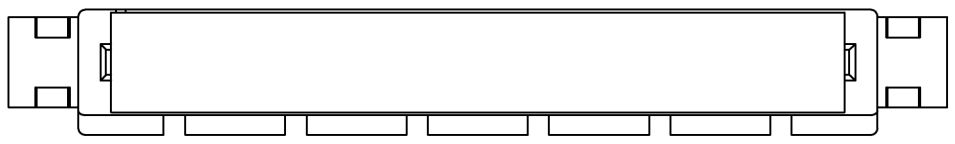
UNSPECIFIED TOLERANCES

ANGLAR	±5°
L ≤ 4	±0.2
4 < L ≤ 16	±0.3
16 < L ≤ 63	±0.4
L > 63	±0.5
UNSPECIFIED TOLERANCES	

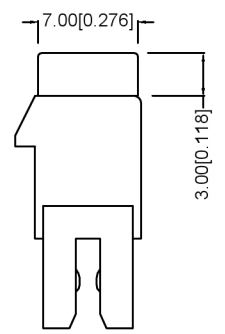
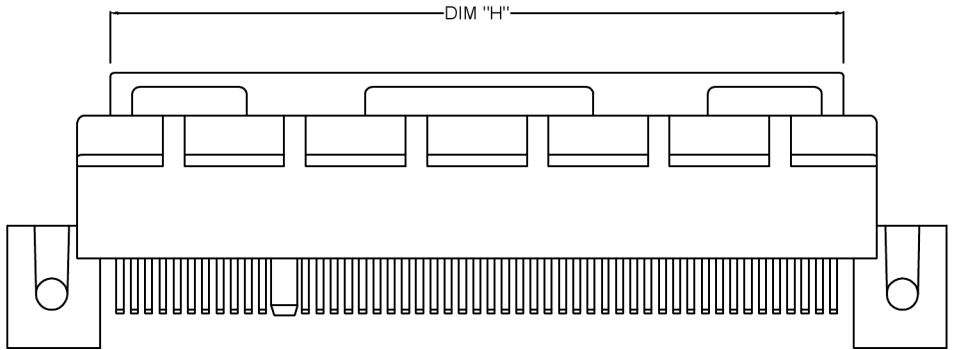


DSND	SCALE: N/A	MODEL TYPE:
DWN	VIEW:	PART NO.: X3126WS-XX-9TV01
CHKD	UNIT: mm/in	DWG NO.: X-X3126WS-XX-9TV01
APPD	SIZE: A4	WEIGHT SHEET REVISION
XKB INDUSTRIAL PRECISION CO., LIMITED		1/1 A0

E



Insert Dummy Card



DIMENSIONS	
POSITION	H
36	20.4
64	34.4
98	51.4
164	84.4

广东星坤科技股份有限公司

Δ*	日期
Δ*	日期
Δ*	日期

文件工程章

MARK	DESCRIPTION	DATE	REVISED	APPROVED	ANGLAR	±5°
					L ≤ 4	±0.2
					4 < L ≤ 16	±0.3
					16 < L ≤ 63	±0.4
					L > 63	±0.5
REVISIONS					UNSPECIFIED TOLERANCES	



DSND	SCALE: N/A
DWN	VIEW:
CHKD	UNIT: mm/in
APPD	SIZE: A4

MODEL TYPE:		
PART NO.: X3126WS-XX-9TV01		
DWG NO.: X-X3126WS-XX-9TV01		
WEIGHT	SHEET	REVISION
	1/1	A0

XKLB INDUSTRIAL PRECISION CO., LIMITED

X-ON Electronics

Largest Supplier of Electrical and Electronic Components

Click to view similar products for [Standard Card Edge Connectors](#) category:

Click to view products by [XKB](#) manufacturer:

Other Similar products are found below :

[CR7E-30DB-3.96E\(72\)](#) [6565204-6](#) [1437274-4](#) [EBT15622B2X](#) [EBT156-22R2W](#) [1-582587-1](#) [284-0102-12100](#) [286-0052-12101A](#)
[306022901000000](#) [307-056-520-300](#) [A6D22DS29C2](#) [1926088-2](#) [245-062-520-350](#) [287-0032-12101](#) [306-028-525-102](#) [307-072-526-202](#) [345-](#)
[060-559-303](#) [534671-1](#) [341-240-317](#) [345-044-500-300](#) [346-240-318](#) [395-100-524-300](#) [09-07-2032](#) [10035388-802LF](#) [10115859-011LF](#)
[10122859-009LF](#) [101269333204245CLF](#) [530555-1](#) [66925-516LF](#) [5145409-2](#) [73726-0005](#) [66308-1](#) [5036A30](#) [PEC-07-02-T-S-A](#) [KSLX-62-](#)
[BR](#) [CE100F26-7-C](#) [CE100F28-3-D](#) [CE100F28-4-D](#) [CE156F22-9-C](#) [CT100F24-3-D](#) [CT100F24-6-C](#) [MLSS100-12-C](#) [SCC100F-11-C](#)
[SCC100F-20-C](#) [SCC100F-24-C](#) [SCC100F-25-C](#) [3-530656](#) [285-0112-12300](#) [346-068-556-300](#) [284-0492-11000](#)