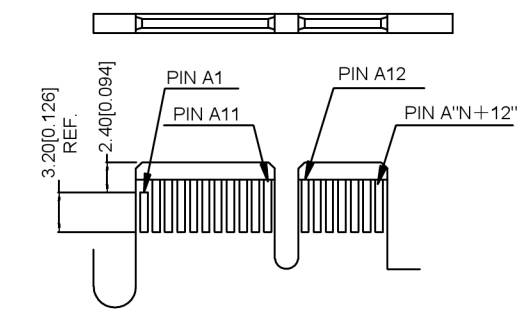


← I/O PANEL DIRECTION
PRIMARY (COMPONENT) SIDE



SECONDARY (SOLDER) SIDE
PCI-E ADD-IN CARD EDGE-FINGER DIMENSION

6. NO TIE BAR PERMITTED FROM CARD EDGE TO LEADING EDGE OF PAD FOR PINS A1 AND "K"
CHAMFER EDGE MUST BE FREE OF CUTTING BURRS

| DIMENSIONS | | | | | |
|------------|----|----|------|-------|-----------------|
| POSITION | A | E | J | F | "K" |
| 36 | 6 | 23 | 9.5 | 8.15 | B17 |
| 64 | 20 | 37 | 23.5 | 22.15 | B17,B31 |
| 98 | 37 | 54 | 40.5 | 39.15 | B17,B31,B48 |
| 164 | 70 | 87 | 73.5 | 72.15 | B17,B31,B48,B81 |

广东星坤科技股份有限公司

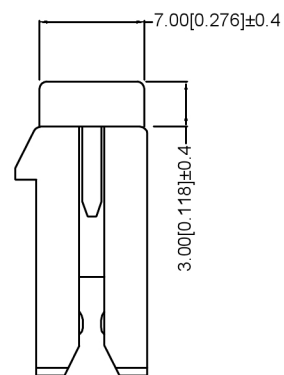
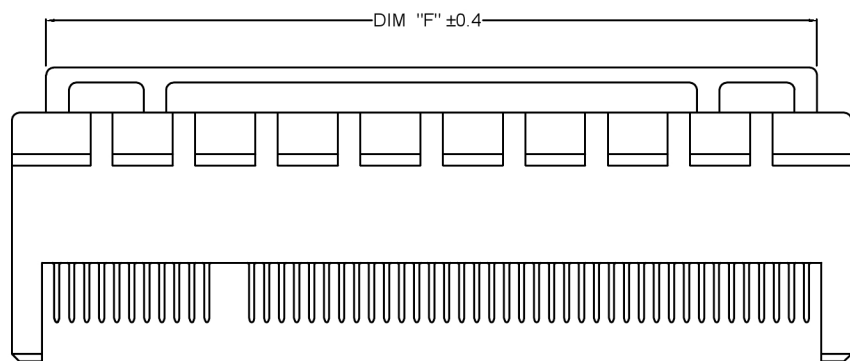
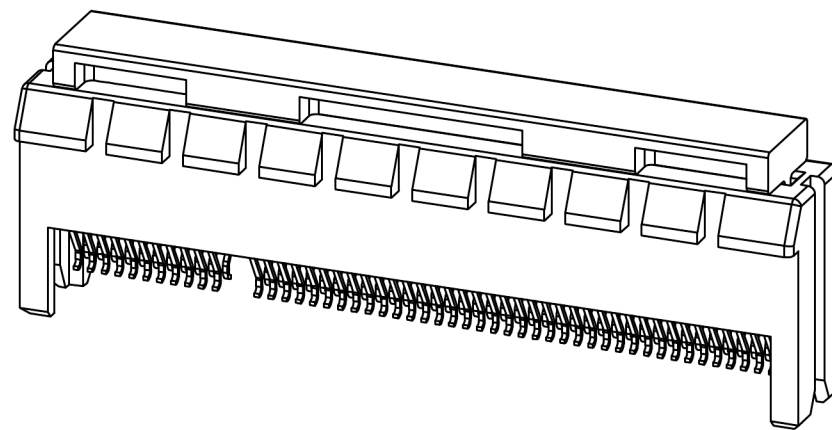
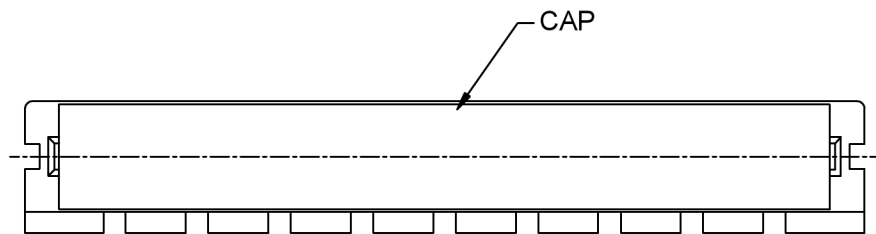
| | |
|------|-------|
| DATE | 日期 |
| MARK | 文件工程章 |

| REVISIONS | DATE | REVISED | APPROVED | UNSPECIFIED TOLERANCES |
|-----------|------|---------|----------|------------------------|
| | | | | |

| | |
|-------------|------|
| ANGLAR | ±5° |
| L ≤ 4 | ±0.2 |
| 4 < L ≤ 16 | ±0.3 |
| 16 < L ≤ 63 | ±0.4 |
| L > 63 | ±0.5 |



| | | |
|---------------------------------------|-------------|-----------------------------|
| DSND | SCALE: N/A | MODEL TYPE: |
| DWN | VIEW: | PART NO.: X3157WS-XX-9TV15 |
| CHKD | UNIT: mm/in | DWG NO.: X-X3157WS-XX-9TV15 |
| APPD | SIZE: A4 | WEIGHT SHEET REVISION |
| KKB INDUSTRIAL PRECISION CO., LIMITED | | 1/1 A0 |



| DIMENSIONS | |
|------------|------|
| POSITION | F |
| 36 | 20.4 |
| 64 | 34.4 |
| 98 | 51.4 |
| 164 | 84.4 |

ASSEMBLY WITH CAP CONDITION

广东星坤科技股份有限公司

| | |
|------|-------|
| Δ* | 日期 |
| Δx | |
| Δx | |
| MARK | 文件工程章 |

| DESCRIPTION | DATE | REVISED | APPROVED | ANGLAR | ±5° |
|-------------|------|---------|----------|------------------------|------|
| | | | | L ≤ 4 | ±0.2 |
| | | | | 4 < L ≤ 16 | ±0.3 |
| | | | | 16 < L ≤ 63 | ±0.4 |
| | | | | L > 63 | ±0.5 |
| REVISIONS | | | | UNSPECIFIED TOLERANCES | |

www.helloxkb.com www.helloxkb.cn www.xk-dg.cn



| | | |
|---------------------------------------|-------------|-----------------------------|
| DSND | SCALE: N/A | MODEL TYPE: |
| DWN | VIEW: | PART NO.: X3157WS-XX-9TV15 |
| CHKD | UNIT: mm/in | DWG NO.: X-X3157WS-XX-9TV15 |
| APPD | SIZE: A4 | WEIGHT |
| XKB INDUSTRIAL PRECISION CO., LIMITED | | SHEET 1/1 |
| | | REVISION A0 |

X-ON Electronics

Largest Supplier of Electrical and Electronic Components

Click to view similar products for [Standard Card Edge Connectors](#) category:

Click to view products by [XKB](#) manufacturer:

Other Similar products are found below :

[CR7E-30DB-3.96E\(72\)](#) [6565204-6](#) [1437274-4](#) [EBT15622B2X](#) [EBT156-22R2W](#) [1-582587-1](#) [284-0102-12100](#) [286-0052-12101A](#)
[306022901000000](#) [307-056-520-300](#) [A6D22DS29C2](#) [1926088-2](#) [245-062-520-350](#) [287-0032-12101](#) [306-028-525-102](#) [307-072-526-202](#) [345-](#)
[060-559-303](#) [534671-1](#) [341-240-317](#) [345-044-500-300](#) [346-240-318](#) [395-100-524-300](#) [09-07-2032](#) [10035388-802LF](#) [10115859-011LF](#)
[10122859-009LF](#) [101269333204245CLF](#) [530555-1](#) [66925-516LF](#) [5145409-2](#) [73726-0005](#) [66308-1](#) [5036A30](#) [PEC-07-02-T-S-A](#) [KSLX-62-](#)
[BR](#) [CE100F26-7-C](#) [CE100F28-3-D](#) [CE100F28-4-D](#) [CE156F22-9-C](#) [CT100F24-3-D](#) [CT100F24-6-C](#) [MLSS100-12-C](#) [SCC100F-11-C](#)
[SCC100F-20-C](#) [SCC100F-24-C](#) [SCC100F-25-C](#) [3-530656](#) [285-0112-12300](#) [346-068-556-300](#) [284-0492-11000](#)