

NOTES 注释:

1. MATERIAL 材料:

1.1 HOUSING 外壳: THERMOPLASTIC, HIGH TEMP., UL94V-0; COLOR: SEE PART NO..

1.2 CONTACTS 触点: COPPER ALLOY.

2. FINISH 饰面:

2.1 CONTACT 触点:

SELECTEIVE GOLD PLATING ON CONTACT AREA. 100μ"MIN. MATTE TIN PLATING ON SOLDER TAILS 50μ" MIN. NICKEL UNDERPLATING OVERALL.

X3157 W S - XX - 9T V15

① ② ③ ④ ⑤ ⑥

① Series Number

② Terminal form: W-Wafer

③ Welding Board Angle : Straddle

④ No. of Pins: 36~164 Pin

⑤ Plastic material: PA9T /PA46 UL94V-0

⑥ Contact Plating: V15-Gold 15u" V30-Gold 30u"

| DIMENSIONS | | | | |
|------------|--------|--------|--------|--------|
| POSITION | A±0.25 | B±0.20 | C±0.20 | D±0.20 |
| 36 | 25.00 | 7.65 | 6.00 | 23.00 |
| 64 | 39.00 | 21.65 | 20.00 | 37.00 |
| 98 | 56.00 | 38.65 | 37.00 | 54.00 |
| 164 | 89.00 | 71.65 | 70.00 | 87.00 |

| | | | |
|---------------------------------------|--|-------------|-----------------------------|
| DSND | | SCALE: N/A | MODEL TYPE: |
| DWN | | VIEW: | PART NO.: X3157WS-XX-9TV15 |
| CHKD | | UNIT: mm/in | DWG NO.: X-X3157WS-XX-9TV15 |
| APPD | | SIZE: A4 | WEIGHT SHEET REVISION |
| KXB INDUSTRIAL PRECISION CO., LIMITED | | | 1/1 A0 |



| | |
|------------------------|------|
| ANGULAR | ±5° |
| L ≤ 4 | ±0.2 |
| 4 < L ≤ 16 | ±0.3 |
| 16 < L ≤ 63 | ±0.4 |
| L > 63 | ±0.5 |
| UNSPECIFIED TOLERANCES | |

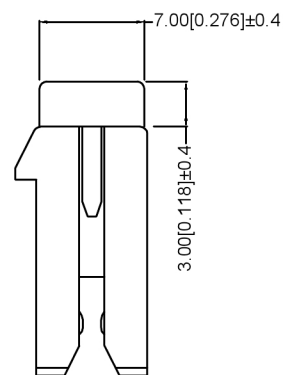
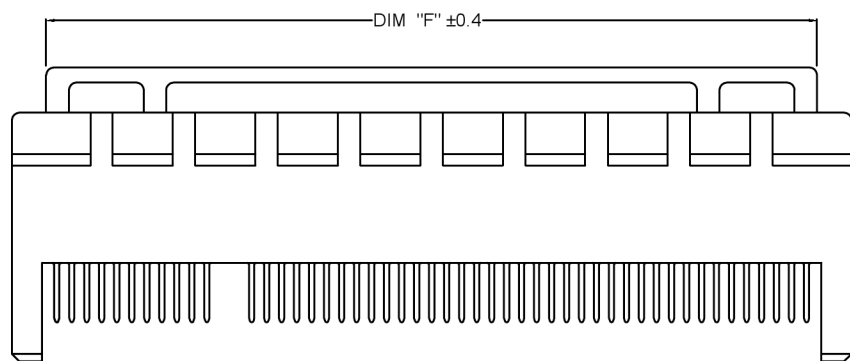
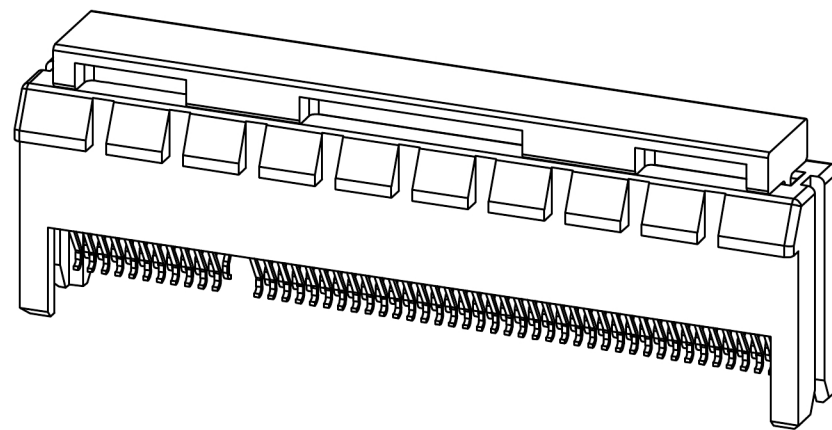
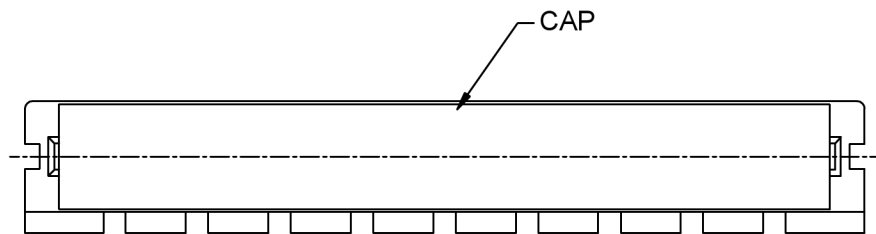
广东星坤科技股份有限公司

文件工程草

REVISIONS

| MARK | DESCRIPTION | DATE | REVISED | APPROVED |
|------|-------------|------|---------|----------|
| | | | | |

www.helloxkb.com www.helloxkb.cn www.xk-dg.cn



| DIMENSIONS | |
|------------|------|
| POSITION | F |
| 36 | 20.4 |
| 64 | 34.4 |
| 98 | 51.4 |
| 164 | 84.4 |

ASSEMBLY WITH CAP CONDITION

广东星坤科技股份有限公司

| | |
|------|-------------|
| Δ* | 日期 |
| Δx | 日期 |
| Δx | 日期 |
| MARK | DESCRIPTION |
| 文件 | 工程章 |

www.helloxkb.com www.helloxkb.cn www.xk-dg.cn

| MARK | DESCRIPTION | DATE | REVISED | APPROVED | ANGLAR | ±5° |
|------|-------------|------|---------|----------|------------------------|------|
| | | | | | L ≤ 4 | ±0.2 |
| | | | | | 4 < L ≤ 16 | ±0.3 |
| | | | | | 16 < L ≤ 63 | ±0.4 |
| | | | | | L > 63 | ±0.5 |
| | | | | | UNSPECIFIED TOLERANCES | |



| | | |
|---------------------------------------|-------------|-----------------------------|
| DSND | SCALE: N/A | MODEL TYPE: |
| DWN | VIEW: | PART NO.: X3157WS-XX-9TV15 |
| CHKD | UNIT: mm/in | DWG NO.: X-X3157WS-XX-9TV15 |
| APPD | SIZE: A4 | WEIGHT |
| XKB INDUSTRIAL PRECISION CO., LIMITED | | SHEET 1/1 |
| | | REVISION A0 |

X-ON Electronics

Largest Supplier of Electrical and Electronic Components

Click to view similar products for [Standard Card Edge Connectors](#) category:

Click to view products by [XKB](#) manufacturer:

Other Similar products are found below :

[CR7E-30DB-3.96E\(72\)](#) [6565204-6](#) [1437274-4](#) [EBT15622B2X](#) [EBT156-22R2W](#) [1-582587-1](#) [284-0102-12100](#) [286-0052-12101A](#)
[306022901000000](#) [307-056-520-300](#) [A6D22DS29C2](#) [1926088-2](#) [245-062-520-350](#) [287-0032-12101](#) [306-028-525-102](#) [307-072-526-202](#) [345-](#)
[060-559-303](#) [534671-1](#) [341-240-317](#) [345-044-500-300](#) [346-240-318](#) [395-100-524-300](#) [09-07-2032](#) [10035388-802LF](#) [10115859-011LF](#)
[10122859-009LF](#) [101269333204245CLF](#) [530555-1](#) [66925-516LF](#) [5145409-2](#) [73726-0005](#) [66308-1](#) [5036A30](#) [PEC-07-02-T-S-A](#) [KSLX-62-](#)
[BR](#) [CE100F26-7-C](#) [CE100F28-3-D](#) [CE100F28-4-D](#) [CE156F22-9-C](#) [CT100F24-3-D](#) [CT100F24-6-C](#) [MLSS100-12-C](#) [SCC100F-11-C](#)
[SCC100F-20-C](#) [SCC100F-24-C](#) [SCC100F-25-C](#) [3-530656](#) [285-0112-12300](#) [346-068-556-300](#) [284-0492-11000](#)