

NOTES 注释:

1. MATERIAL 材料:

1.1 HOUSING 外壳: THERMOPLASTIC, HIGH TEMP., UL94V-0; COLOR: SEE PART NO..

1.2 CONTACTS 触点: COPPER ALLOY.

2. FINISH 饰面:

2.1 CONTACT 触点:

SELECTEIVE GOLD PLATING ON CONTACT AREA. 100μ"MIN. MATTE TIN PLATING ON SOLDER TAILS 50μ" MIN. NICKEL UNDERPLATING OVERALL.

X3157 W S - XX - 9T V15

① ② ③ ④ ⑤ ⑥

① Series Number

② Terminal form: W-Wafer

③ Welding Board Angle : Straddle

④ No. of Pins: 36~164 Pin

⑤ Plastic material: PA9T /PA46 UL94V-0

⑥ Contact Plating: V15-Gold 15u" V30-Gold 30u"

DIMENSIONS				
POSITION	A±0.25	B±0.20	C±0.20	D±0.20
36	25.00	7.65	6.00	23.00
64	39.00	21.65	20.00	37.00
98	56.00	38.65	37.00	54.00
164	89.00	71.65	70.00	87.00

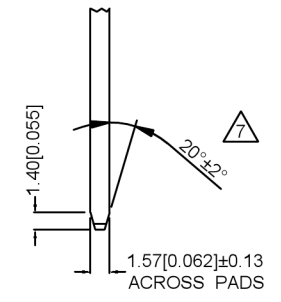
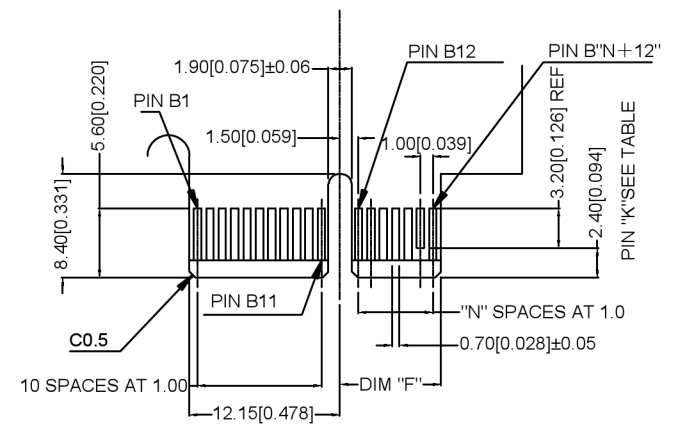
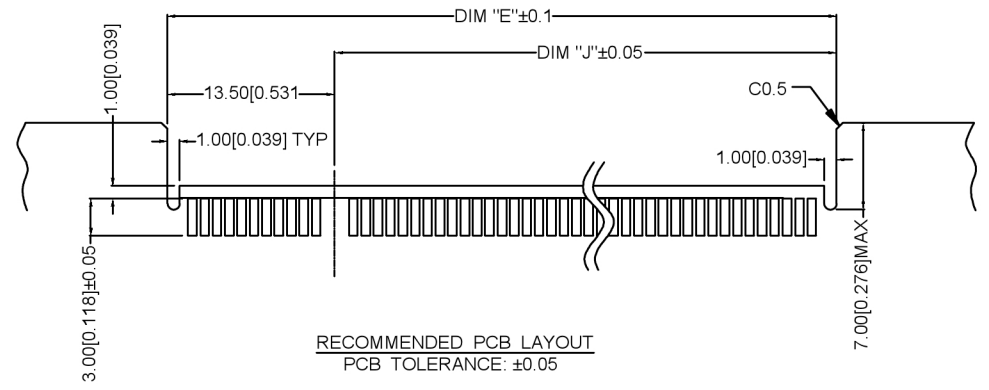
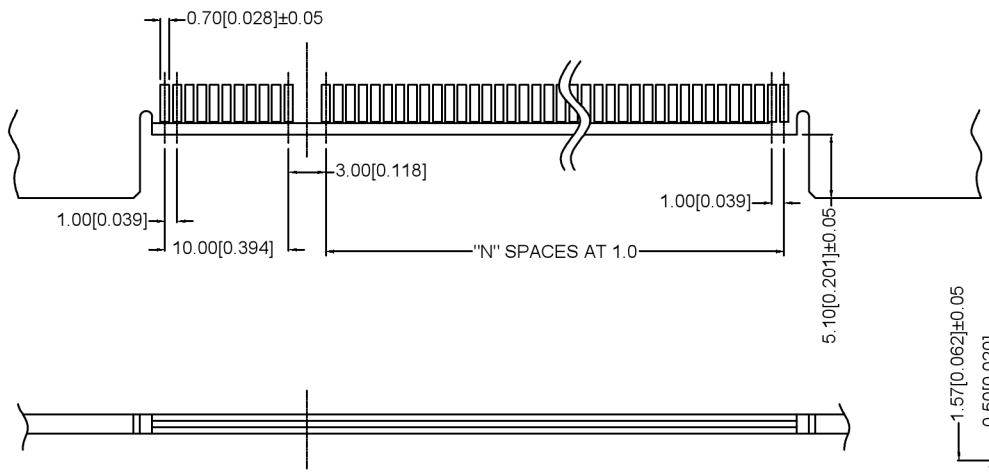
广东星坤科技股份有限公司

修改	日期
修改	日期
修改	日期
MARK	DESCRIPTION
文件	工程草

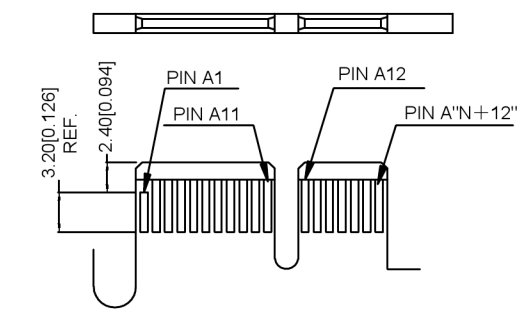
REVISIONS	DATE	REVISED	APPROVED	UNSPECIFIED TOLERANCES
				ANGULAR ±5°
				L ≤ 4 ±0.2
				4 < L ≤ 16 ±0.3
				16 < L ≤ 63 ±0.4
				L > 63 ±0.5



DSND	SCALE: N/A	MODEL TYPE:
DWN	VIEW:	PART NO.: X3157WS-XX-9TV15
CHKD	UNIT: mm/in	DWG NO.: X-X3157WS-XX-9TV15
APPD	SIZE: A4	WEIGHT SHEET REVISION
KXB INDUSTRIAL PRECISION CO., LIMITED		1/1 A0



I/O PANEL DIRECTION  
PRIMARY (COMPONENT) SIDE



SECONDARY (SOLDER) SIDE  
PCI-E ADD-IN CARD EDGE-FINGER DIMENSION

6. NO TIE BAR PERMITTED FROM CARD EDGE TO LEADING EDGE OF PAD FOR PINS A1 AND "K"  
CHAMFER EDGE MUST BE FREE OF CUTTING BURRS

DIMENSIONS					
POSITION	A	E	J	F	"K"
36	6	23	9.5	8.15	B17
64	20	37	23.5	22.15	B17,B31
98	37	54	40.5	39.15	B17,B31,B48
164	70	87	73.5	72.15	B17,B31,B48,B81

广东星坤科技股份有限公司

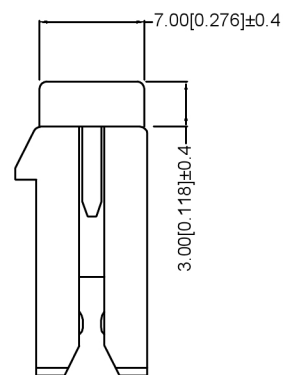
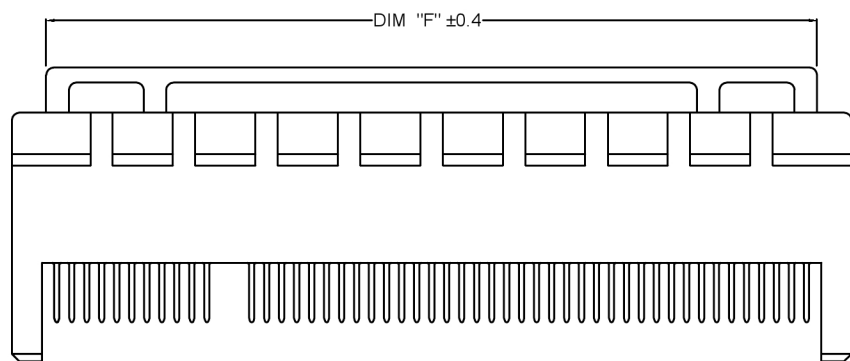
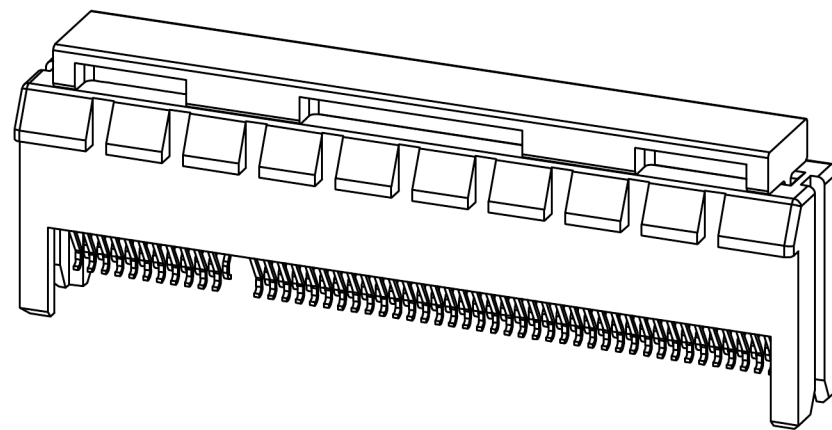
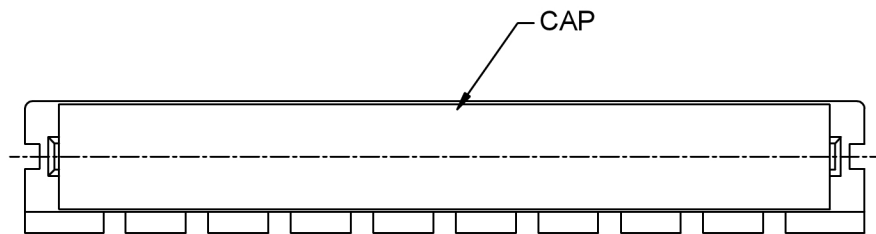
MARK	DESCRIPTION	DATE	REVISED	APPROVED
Δ*		日期		
Δx				
Δx				
文件	工程章			

REVISIONS	UNSPECIFIED TOLERANCES
	ANGLAR ±5°
	L ≤ 4 ±0.2
	4 < L ≤ 16 ±0.3
	16 < L ≤ 63 ±0.4
	L > 63 ±0.5



DSND	SCALE: N/A	MODEL TYPE:
DWN	VIEW:	PART NO.: X3157WS-XX-9TV15
CHKD	UNIT: mm/in	DWG NO.: X-X3157WS-XX-9TV15
APPD	SIZE: A4	WEIGHT SHEET REVISION
		1/1 A0

XKB INDUSTRIAL PRECISION CO., LIMITED



DIMENSIONS	
POSITION	F
36	20.4
64	34.4
98	51.4
164	84.4

ASSEMBLY WITH CAP CONDITION

广东星坤科技股份有限公司

DATE	日期
MARK	文件工程章

DESCRIPTION	DATE	REVISED	APPROVED	ANGLAR	±5°
				L ≤ 4	±0.2
				4 < L ≤ 16	±0.3
				16 < L ≤ 63	±0.4
				L > 63	±0.5
REVISIONS				UNSPECIFIED TOLERANCES	

www.helloxkb.com www.helloxkb.cn www.xk-dg.cn

**XKIB**

DSND	SCALE: N/A	MODEL TYPE:
DWN	VIEW:	PART NO.: X3157WS-XX-9TV15
CHKD	UNIT: mm/in	DWG NO.: X-X3157WS-XX-9TV15
APPD	SIZE: A4	WEIGHT SHEET REVISION
XKB INDUSTRIAL PRECISION CO., LIMITED		1/1 A0

## X-ON Electronics

Largest Supplier of Electrical and Electronic Components

*Click to view similar products for [Standard Card Edge Connectors](#) category:*

*Click to view products by [XKB](#) manufacturer:*

Other Similar products are found below :

[CR7E-30DB-3.96E\(72\)](#) [6565204-6](#) [1437274-4](#) [EBT15622B2X](#) [EBT156-22R2W](#) [1-582587-1](#) [284-0102-12100](#) [286-0052-12101A](#)  
[306022901000000](#) [307-056-520-300](#) [A6D22DS29C2](#) [1926088-2](#) [245-062-520-350](#) [287-0032-12101](#) [306-028-525-102](#) [307-072-526-202](#) [345-](#)  
[060-559-303](#) [534671-1](#) [341-240-317](#) [345-044-500-300](#) [346-240-318](#) [395-100-524-300](#) [09-07-2032](#) [10035388-802LF](#) [10115859-011LF](#)  
[10122859-009LF](#) [101269333204245CLF](#) [530555-1](#) [66925-516LF](#) [5145409-2](#) [73726-0005](#) [66308-1](#) [5036A30](#) [PEC-07-02-T-S-A](#) [KSLX-62-](#)  
[BR](#) [CE100F26-7-C](#) [CE100F28-3-D](#) [CE100F28-4-D](#) [CE156F22-9-C](#) [CT100F24-3-D](#) [CT100F24-6-C](#) [MLSS100-12-C](#) [SCC100F-11-C](#)  
[SCC100F-20-C](#) [SCC100F-24-C](#) [SCC100F-25-C](#) [3-530656](#) [285-0112-12300](#) [346-068-556-300](#) [284-0492-11000](#)