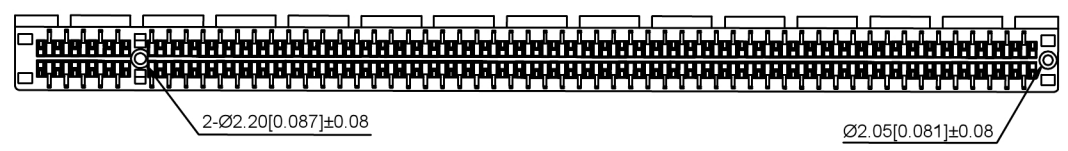
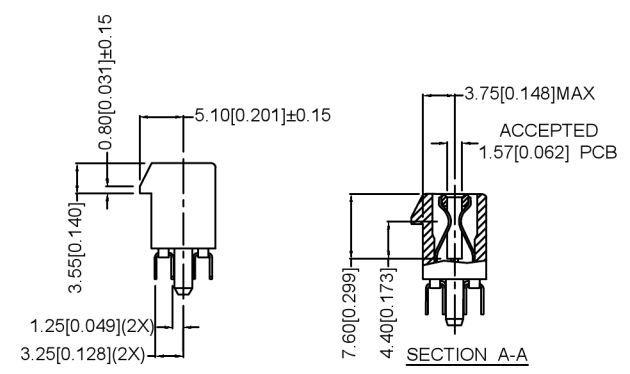


NOTES 注释:

1. MATERIAL 材料:
  - 1.1 HOUSING 外壳: THERMOPLASTIC, HIGH TEMP., UL94V-0; COLOR: BLACK.
  - 1.2 CONTACTS 触点: COPPER ALLOY.
2. FINISH 饰面:
  - 2.1 CONTACT 触点: SELECTIVE GOLD PLATING ON CONTACT AREA. 100μ" MIN. MATTE TIN PLATING ON SOLDER TAILS, 50μ" MIN. NICKEL UNDERPLATING OVERALL.
3. FOR WAVE SOLDER APPLICATION ONLY  
仅适用于波状焊料应用



X3160 W V - XX X - 46 V15

- ① ② ③ ④ ⑤ ⑥ ⑦

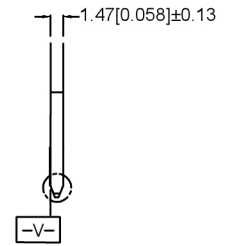
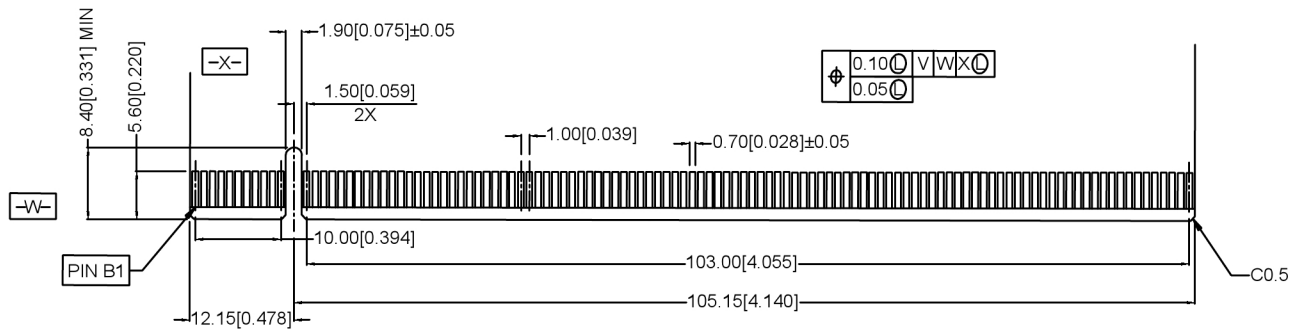
- ① Series Number
- ② Terminal form: W-Wafer
- ③ Welding Board Angle : V-Stright Angle 180°
- ④ No. of Pins: XX-230 Pin
- ⑤ Tail Length (DIM "E") /B Type :3.1mm ; C Type:2.54mm
- ⑥ Plastic material: PA46/PA9T UL94V-0
- ⑦ Contact Plating:V15-Gold 15"u"

广东星坤科技股份有限公司  
文件工程章

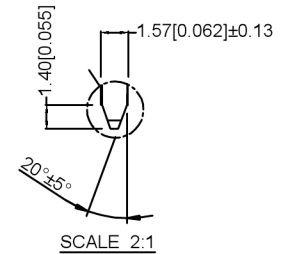
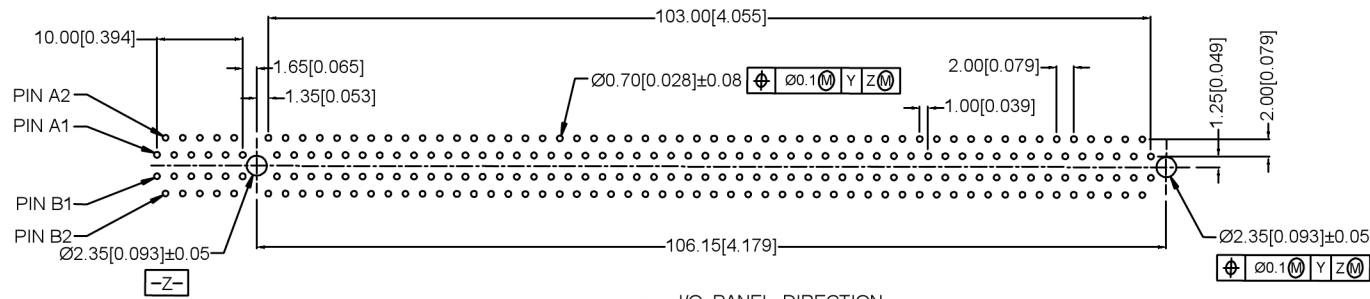
MARK	DESCRIPTION	DATE	REVISED	APPROVED	ANGLAR	±5°
Δ*					L ≤ 4	±0.2
Δx					4 < L ≤ 16	±0.3
Δx					16 < L ≤ 63	±0.4
					L > 63	±0.5
REVISIONS						UNSPECIFIED TOLERANCES
www.helloxkb.com www.helloxkb.cn www.xk-dg.cn						



DSND		SCALE: N/A	MODEL TYPE:
DWN		VIEW:	PART NO.: X3160WV-XXX-46V15
CHKD		UNIT: mm/in	DWG NO.: X-X3160WV-XXX-46V15
APPD		SIZE: A4	WEIGHT SHEET REVISION
KKB INDUSTRIAL PRECISION CO., LIMITED			1/1 A0



← I/O PANEL DIRECTION PRIMARY (COMPONENT) SIDE  
ADD - IN CARD EDGE - FINGER DIMENSIONS



← I/O PANEL DIRECTION  
RECOMMENDED FOOTPRINT



广东星坤科技股份有限公司

Δ*	日期
Δ*	日期
Δ*	日期
MARK	DESCRIPTION
文件	工程章

REVISIONS

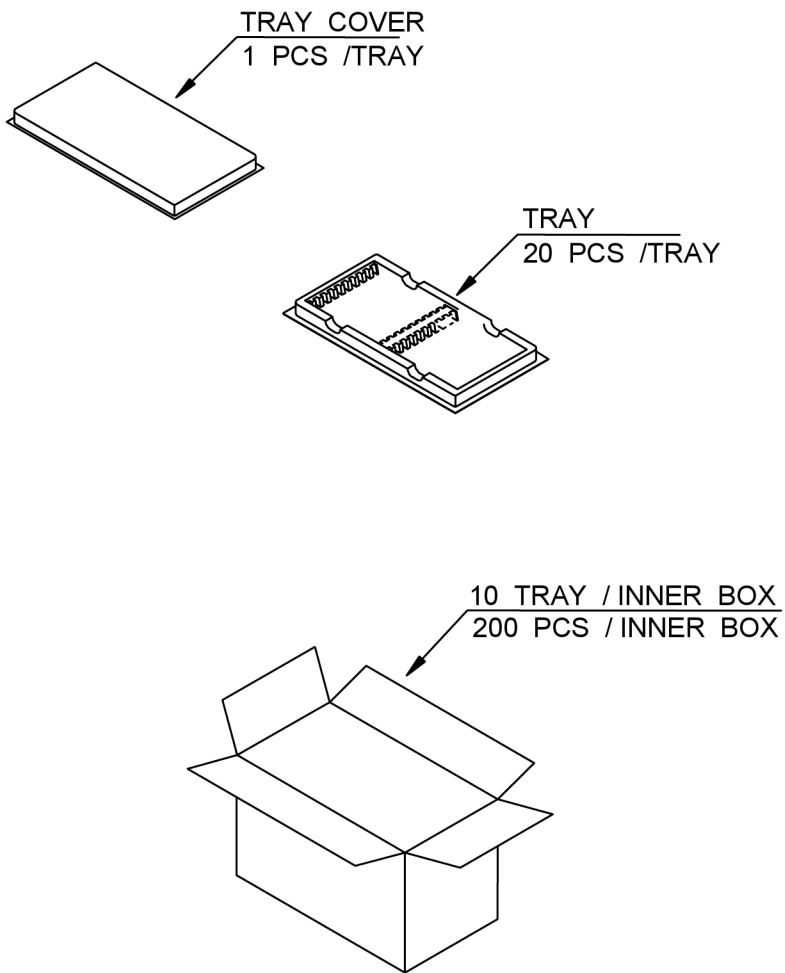
UNSPECIFIED TOLERANCES

www.helloxkb.com www.helloxkb.cn www.xk-dg.cn

					ANGLAR	±5°
					L ≤ 4	±0.2
					4 < L ≤ 16	±0.3
					16 < L ≤ 63	±0.4
					L > 63	±0.5

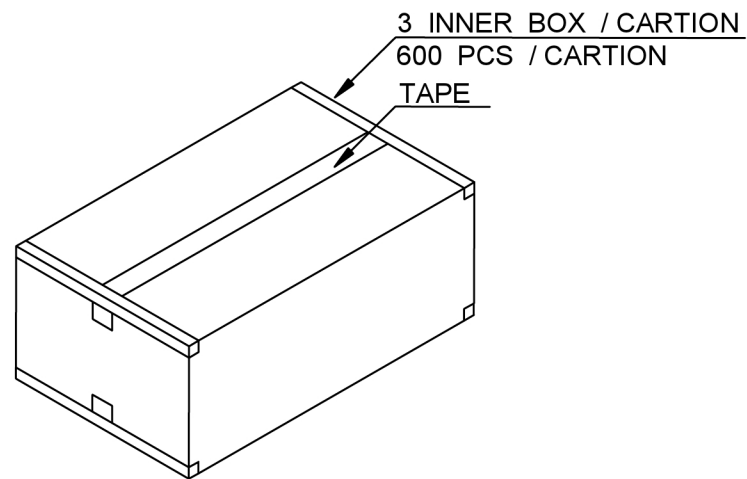


DSND		SCALE: N/A	MODEL TYPE:
DWN		VIEW:	PART NO.: X3160WV-XXX-46V15
CHKD		UNIT: mm/in	DWG NO.: X-X3160WV-XXX-46V15
APPD		SIZE: A4	WEIGHT
XKB INDUSTRIAL PRECISION CO., LIMITED			SHEET
			REVISION
			1/1
			A0



NOTES 注释:

1. TRAY COVER SIZE 托盘盖尺寸: 329.5mm(L)X 170mm(W)X 20mm(H).
2. TRAY SIZE 托盘尺寸: 328.5mm(L)x 170mm(W)x 20mm(H).
3. BOX SIZE 箱体尺寸: 340mm(L)X 187mm(w)x 210mm(H).
4. CARTON SIZE 纸箱规格: 576mm(L)X 350mm(W)X 232mm(H).
5. NET WEIGHT 净重: 8.7 Kg.
6. GROSS WEIGHT 毛重: 10.4 Kg.



SHIPPING CARTON

广东星坤科技股份有限公司

Δ#	日期
ΔX	日期
ΔX	日期
MARK	文件工程章

MARK	DESCRIPTION	DATE	REVISED	APPROVED	UNSPECIFIED TOLERANCES
	REVISIONS				
					ANGLAR ±5°
					L ≤ 4 ±0.2
					4 < L ≤ 16 ±0.3
					16 < L ≤ 63 ±0.4
					L > 63 ±0.5

**XKIB**

XKB INDUSTRIAL PRECISION CO., LIMITED

DSND	SCALE: N/A	MODEL TYPE:
DWN	VIEW:	PART NO.: X3160WV-XXX-46V15
CHKD	UNIT: mm/in	DWG NO.: X-X3160WV-XXX-46V15
APPD	SIZE: A4	WEIGHT SHEET REVISION
		1/1 A0

## X-ON Electronics

Largest Supplier of Electrical and Electronic Components

*Click to view similar products for [Standard Card Edge Connectors](#) category:*

*Click to view products by [XKB](#) manufacturer:*

Other Similar products are found below :

[CR7E-30DB-3.96E\(72\)](#) [6565204-6](#) [1437274-4](#) [EBT15622B2X](#) [EBT156-22R2W](#) [1-582587-1](#) [284-0102-12100](#) [286-0052-12101A](#)  
[306022901000000](#) [307-056-520-300](#) [A6D22DS29C2](#) [1926088-2](#) [245-062-520-350](#) [287-0032-12101](#) [306-028-525-102](#) [307-072-526-202](#) [345-](#)  
[060-559-303](#) [534671-1](#) [341-240-317](#) [345-044-500-300](#) [346-240-318](#) [395-100-524-300](#) [09-07-2032](#) [10035388-802LF](#) [10115859-011LF](#)  
[10122859-009LF](#) [101269333204245CLF](#) [530555-1](#) [66925-516LF](#) [5145409-2](#) [73726-0005](#) [66308-1](#) [5036A30](#) [PEC-07-02-T-S-A](#) [KSLX-62-](#)  
[BR](#) [CE100F26-7-C](#) [CE100F28-3-D](#) [CE100F28-4-D](#) [CE156F22-9-C](#) [CT100F24-3-D](#) [CT100F24-6-C](#) [MLSS100-12-C](#) [SCC100F-11-C](#)  
[SCC100F-20-C](#) [SCC100F-24-C](#) [SCC100F-25-C](#) [3-530656](#) [285-0112-12300](#) [346-068-556-300](#) [284-0492-11000](#)