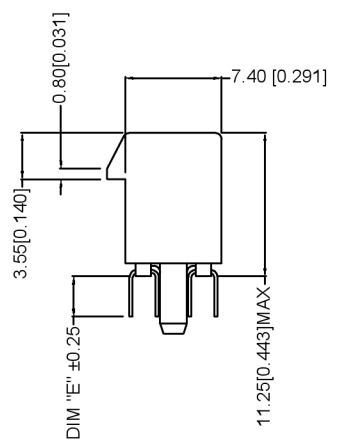
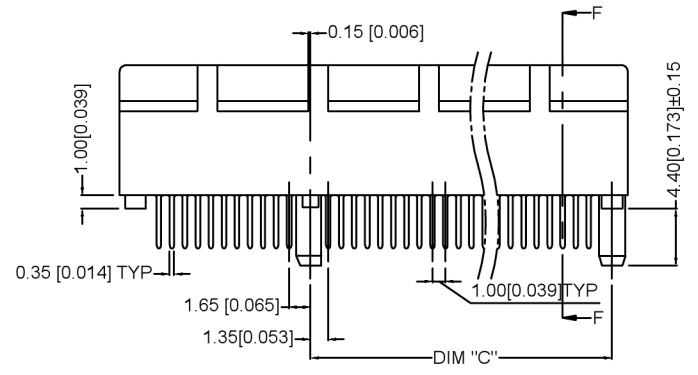


SECTION F-F



DUAL POST TYPE

DIMENSIONS				
POSITION	A±0.10	B±0.15	C±0.20	D±0.23
36	6	7.65	9.15	25.00
64	20	21.65	23.15	39.00
98	37	38.65	40.15	56.00
164	70	71.65	73.15	89.00

广东星坤科技股份有限公司

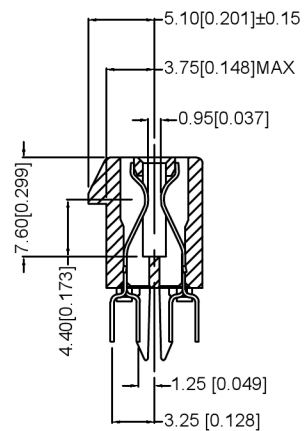
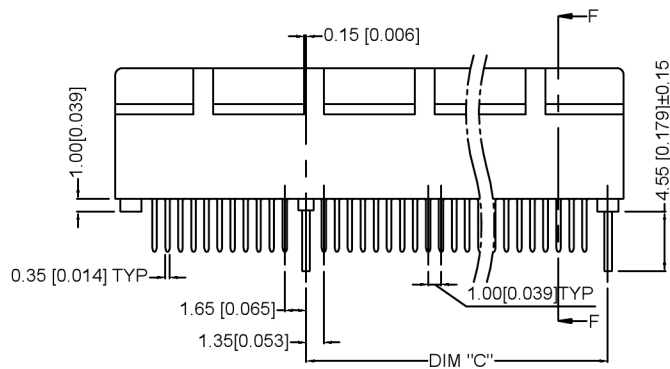
Δx	日期
Δy	日期
Δz	日期
MARK	DESCRIPTION
文件	工程章

REVISIONS	DATE	REVISED	APPROVED	UNSPECIFIED TOLERANCES

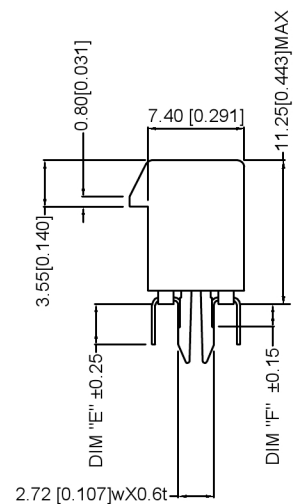
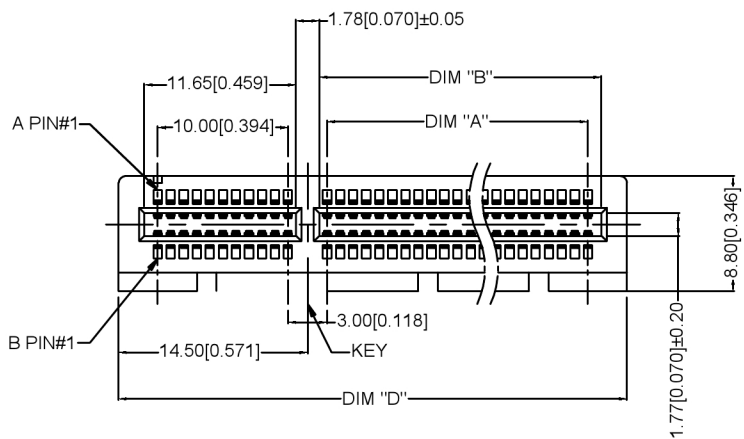
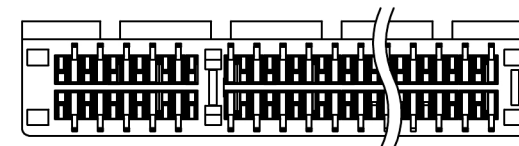


DSND	SCALE: N/A	MODEL TYPE:
DWN	VIEW:	PART NO.: X3183WV-XXXX-46V01
CHKD	UNIT: mm/in	DWG NO.: X-X3183WV-XXXX-46V01
APPD	SIZE: A4	WEIGHT SHEET REVISION
		1/1 A0

XKB INDUSTRIAL PRECISION CO., LIMITED



SECTION F-F



CLIP TYPE

DIM E	PCB THICKNESS	DIM F
A=2.30	1.56	1.7
B=3.10	2.36	2.5
C=2.54	1.56	1.7

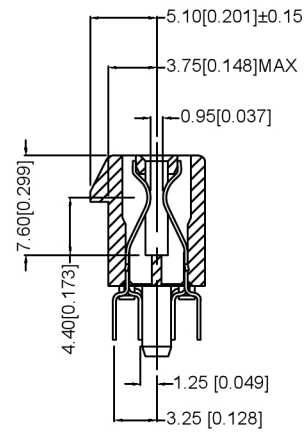
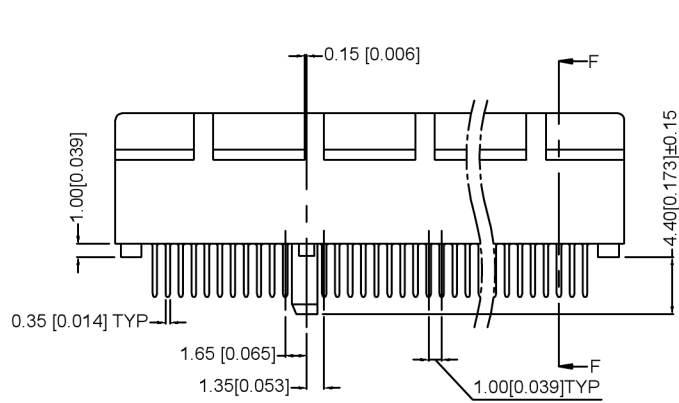
广东星坤科技股份有限公司

DATE	日期
DESCRIPTION	文件工程章
REVISIONS	
www.helloxkb.com	www.helloxkb.cn www.xk-dg.cn

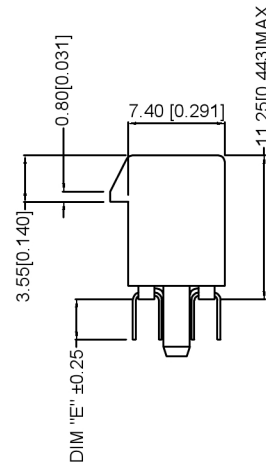
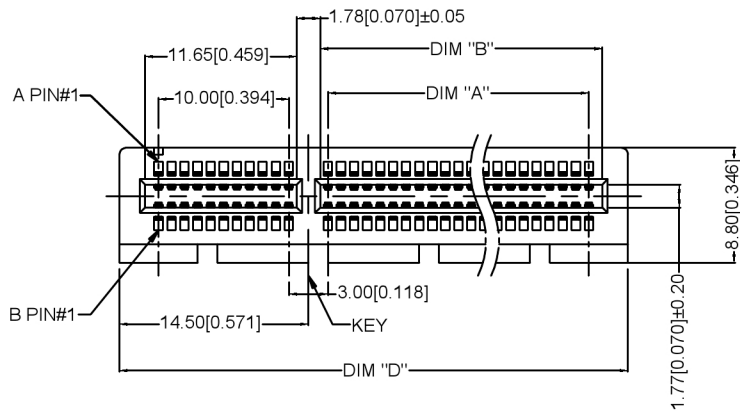
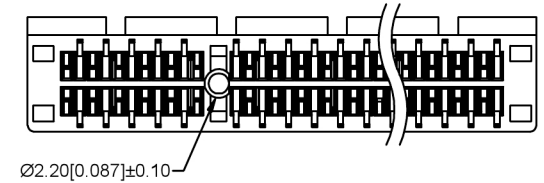
ANGLAR	±5°
L ≤ 4	±0.2
4 < L ≤ 16	±0.3
16 < L ≤ 63	±0.4
L > 63	±0.5
UNSPECIFIED TOLERANCES	



DSND	SCALE: N/A	MODEL TYPE:
DWN	VIEW:	PART NO.: X3183WW-XXXX-46V01
CHKD	UNIT: mm/in	DWG NO.: X-X3183WW-XXXX-46V01
APPD	SIZE: A4	WEIGHT SHEET REVISION
XKB INDUSTRIAL PRECISION CO., LIMITED		1/1 A0



SECTION F-F



SINGLE POST TYPE

DIMENSIONS			
POSITION	A±0.10	B±0.15	D±0.23
36	6	7.65	25.00
64	20	21.65	39.00
98	37	38.65	56.00
164	70	71.65	89.00

广东星坤科技股份有限公司

Δ#	日期
Δx	日期
Δ效	日期
MARK	DESCRIPTION
文件	工程章

www.helloxkb.com www.helloxkb.cn www.xk-dg.cn

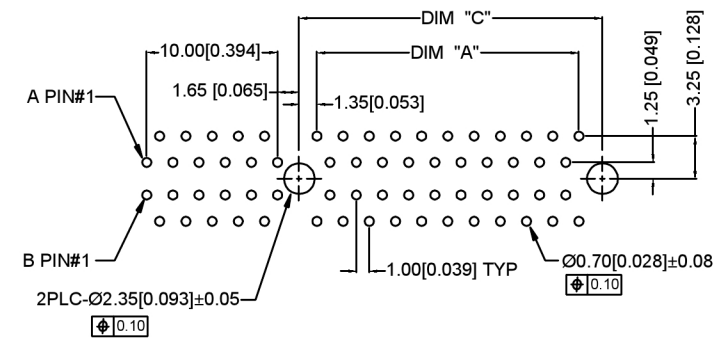
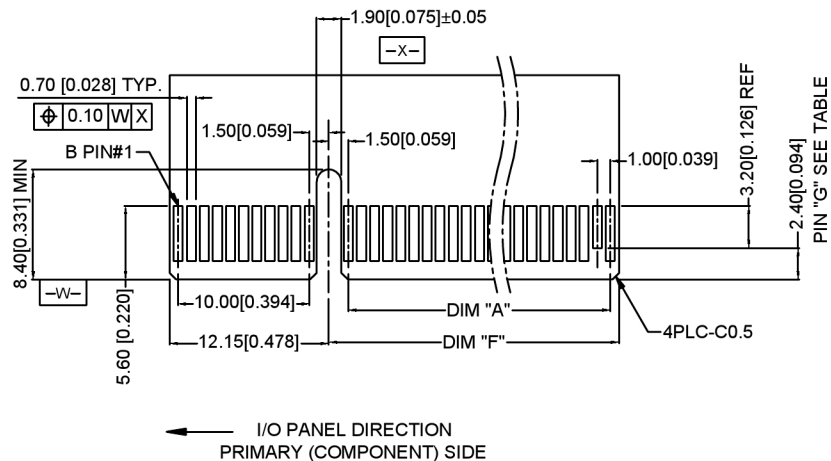
REVISIONS	DATE	REVISED	APPROVED	UNSPECIFIED TOLERANCES
ANGLAR				±5°
L ≤ 4				±0.2
4 < L ≤ 16				±0.3
16 < L ≤ 63				±0.4
L > 63				±0.5



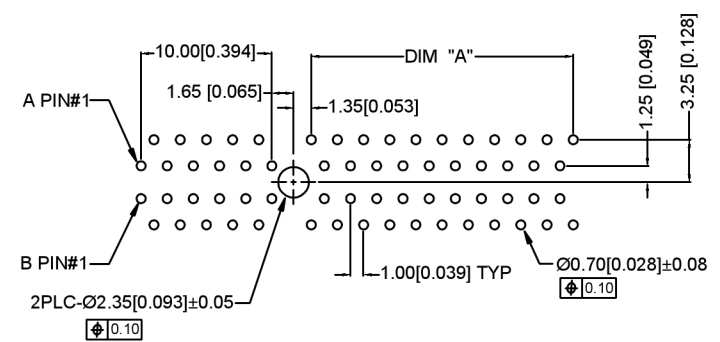
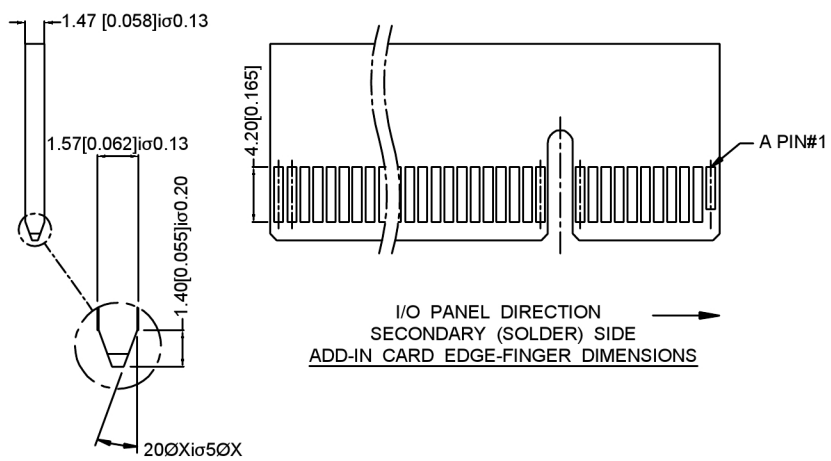
XKB INDUSTRIAL PRECISION CO., LIMITED

DSND	SCALE: N/A	MODEL TYPE:
DWN	VIEW:	PART NO.: X3183WW-XXXX-46V01
CHKD	UNIT: mm/in	DWG NO.: X-X3183WW-XXXX-46V01
APPD	SIZE: A4	WEIGHT SHEET REVISION
		1/1 A0

DIMENSIONS				
POSITION	A	C	F±0.20	G
36	6	9.15	8.15	B PIN#17
64	20	23.15	22.15	B PIN#31
98	37	40.15	39.15	B PIN#48
164	70	73.15	72.15	B PIN#81



RECOMMENDED PCB LAYOUT
 POST TYPE & CLIP TYPE
 TOLERANCE: ±0.05



RECOMMENDED PCB LAYOUT
 SINGLE POST TYPE
 TOLERANCE: ±0.05

广东星坤科技股份有限公司

姓名	日期
数量	日期
MARK	DESCRIPTION
文件	工程章

DATE	REVISED	APPROVED	DESCRIPTION
			REVISIONS
			UNSPECIFIED TOLERANCES

XKLB

KKB INDUSTRIAL PRECISION CO., LIMITED

DSND	SCALE: N/A	MODEL TYPE:
DWN	VIEW: ϕ	PART NO.: X3183WV-XXXX-46V01
CHKD	UNIT: mm/in	DWG NO.: X-X3183WV-XXXX-46V01
APPD	SIZE: A4	WEIGHT SHEET REVISION
		1/1 A0

NOTES 注释:

1. MATERIAL材料:

1.1 HOUSING外壳: THERMOPLASTIC, HIGH TEMP.,
UL94V-0;
COLOR: SEE PART NO..

1.2 CONTACTS触点: COPPER ALLOY.

1.3 CLIP接线柱: COPPER ALLOY.

2. FINISH饰面:

2.1 CONTACT触点:

SELECTEIVE GOLD PLATING ON CONTACT AREA.
100μ"MIN. MATTE TIN PLATING ON SOLDER TAILS,
50μ" MIN. NICKEL UNDERPLATING OVERALL.

2.2 CLIP接线柱:

100u" MIN. MATTE-TIN OVER 50u" MIN NICKEL PLATING.

X3183 WV - XX X X - 46 V01

① ②③ ④ ⑤ ⑥ ⑦ ⑧

1. Series Nunber

2. Terminal form: W-Wafer

3. Welding Board Angle : V-Straight Angle 180°

4. No. of Pins: 36~164 Pin

5. Tail Length (DIM "E") / A Type :2.3mm ;

B Type:3.1mm ; C Type:2.54mm

6. Special No:1-Dual Post Type ;

2:Clip Type ; 3:Single Post Type

7. Plastic material: PA46 /PA9T UL94V-0

8. Contact Plating:V01-Gold Flash

V15-Gold 15u"


V30-Gold 30u"

广东星坤科技股份有限公司


Δ#	日期
Δ#	日期
Δ#	日期

文件工程章

MARK	DESCRIPTION	DATE	REVISED	APPROVED	UNSPECIFIED TOLERANCES
					ANGLAR ±5°
					L ≤ 4 ±0.2
					4 < L ≤ 16 ±0.3
					16 < L ≤ 63 ±0.4
					L > 63 ±0.5



XKLB INDUSTRIAL PRECISION CO., LIMITED

DSND	SCALE: N/A	MODEL TYPE:
DWN	VIEW: 	PART NO.: X3183WV-XXXX-46V01
CHKD	UNIT: mm/in	DWG NO.: X-X3183WV-XXXX-46V01
APPD	SIZE: A4	WEIGHT
		SHEET 1/1
		REVISION A0

X-ON Electronics

Largest Supplier of Electrical and Electronic Components

Click to view similar products for [Standard Card Edge Connectors](#) category:

Click to view products by [XKB](#) manufacturer:

Other Similar products are found below :

[CR7E-30DB-3.96E\(72\)](#) [6565204-6](#) [1437274-4](#) [EBT15622B2X](#) [EBT156-22R2W](#) [1-582587-1](#) [284-0102-12100](#) [286-0052-12101A](#)
[306022901000000](#) [307-056-520-300](#) [A6D22DS29C2](#) [1926088-2](#) [245-062-520-350](#) [287-0032-12101](#) [306-028-525-102](#) [307-072-526-202](#) [345-](#)
[060-559-303](#) [534671-1](#) [341-240-317](#) [345-044-500-300](#) [346-240-318](#) [395-100-524-300](#) [09-07-2032](#) [10035388-802LF](#) [10115859-011LF](#)
[10122859-009LF](#) [101269333204245CLF](#) [530555-1](#) [66925-516LF](#) [5145409-2](#) [73726-0005](#) [66308-1](#) [5036A30](#) [PEC-07-02-T-S-A](#) [KSLX-62-](#)
[BR](#) [CE100F26-7-C](#) [CE100F28-3-D](#) [CE100F28-4-D](#) [CE156F22-9-C](#) [CT100F24-3-D](#) [CT100F24-6-C](#) [MLSS100-12-C](#) [SCC100F-11-C](#)
[SCC100F-20-C](#) [SCC100F-24-C](#) [SCC100F-25-C](#) [3-530656](#) [285-0112-12300](#) [346-068-556-300](#) [284-0492-11000](#)