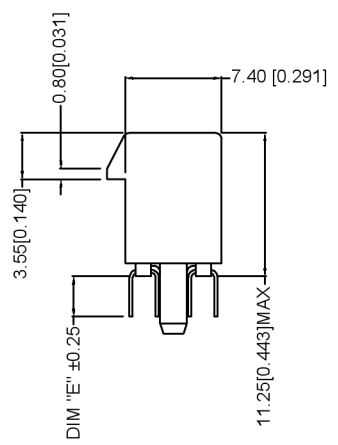
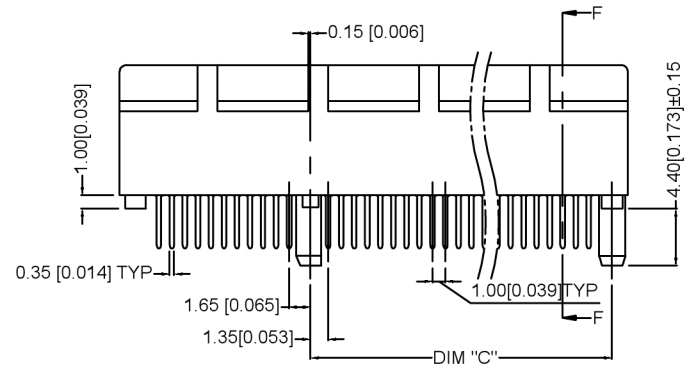


**SECTION F-F**



**DUAL POST TYPE**

| DIMENSIONS |        |        |        |        |
|------------|--------|--------|--------|--------|
| POSITION   | A±0.10 | B±0.15 | C±0.20 | D±0.23 |
| 36         | 6      | 7.65   | 9.15   | 25.00  |
| 64         | 20     | 21.65  | 23.15  | 39.00  |
| 98         | 37     | 38.65  | 40.15  | 56.00  |
| 164        | 70     | 71.65  | 73.15  | 89.00  |

广东星坤科技股份有限公司

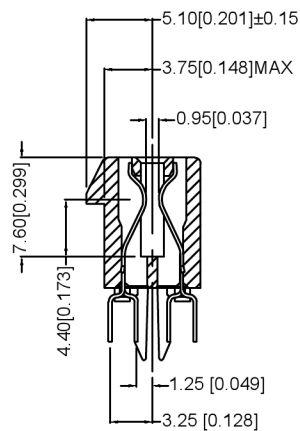
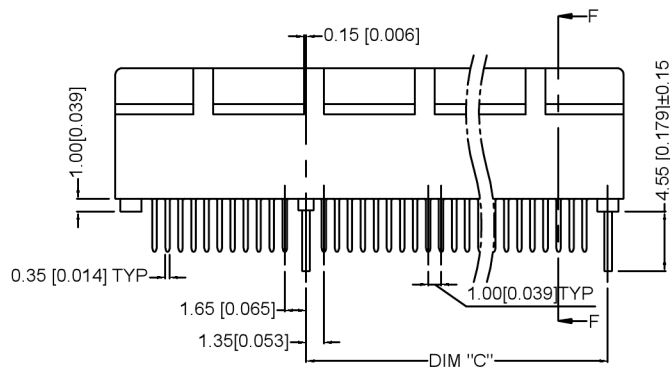
|      |             |
|------|-------------|
| Δx   | 日期          |
| Δy   |             |
| Δz   |             |
| MARK | DESCRIPTION |
| 文件   | 工程章         |

| REVISIONS | DATE | REVISED | APPROVED | UNSPECIFIED TOLERANCES |
|-----------|------|---------|----------|------------------------|
|           |      |         |          |                        |

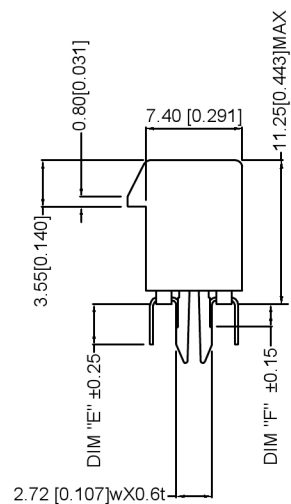
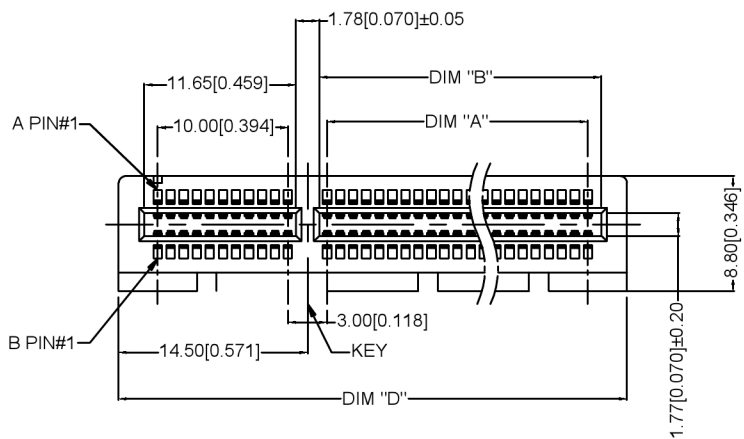
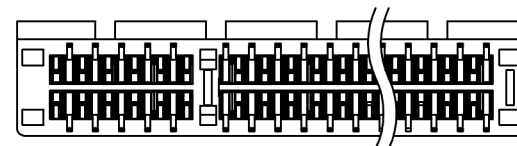


|      |             |                               |
|------|-------------|-------------------------------|
| DSND | SCALE: N/A  | MODEL TYPE:                   |
| DWN  | VIEW:       | PART NO.: X3183WV-XXXX-46V01  |
| CHKD | UNIT: mm/in | DWG NO.: X-X3183WV-XXXX-46V01 |
| APPD | SIZE: A4    | WEIGHT SHEET REVISION         |
|      |             | 1/1 A0                        |

XKB INDUSTRIAL PRECISION CO., LIMITED



SECTION F-F



CLIP TYPE

| DIM E  | PCB THICKNESS | DIM F |
|--------|---------------|-------|
| A=2.30 | 1.56          | 1.7   |
| B=3.10 | 2.36          | 2.5   |
| C=2.54 | 1.56          | 1.7   |

广东星坤科技股份有限公司

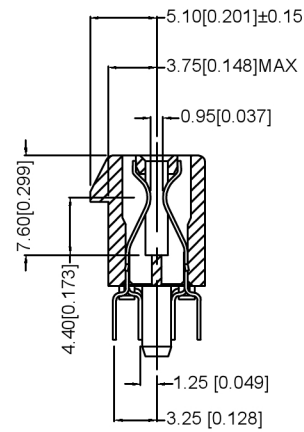
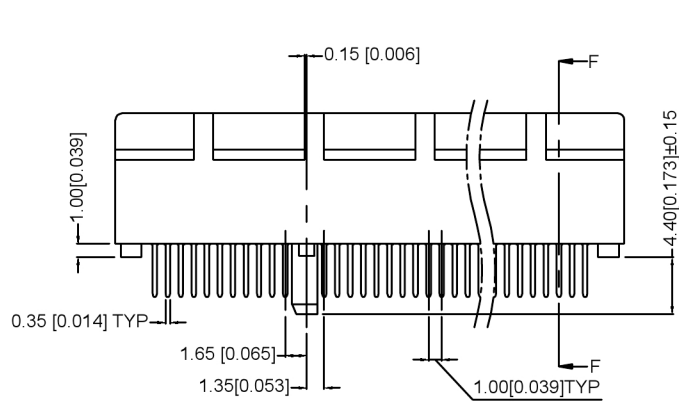
|             |       |
|-------------|-------|
| DATE        | 日期    |
| DESCRIPTION | 文件工程章 |
| REVISIONS   |       |

www.helloxkb.com www.helloxkb.cn www.xk-dg.cn

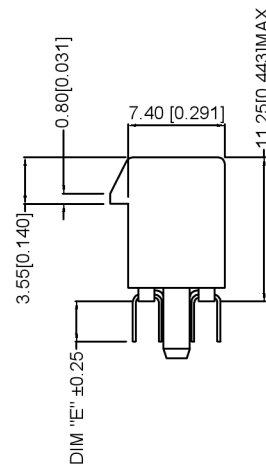
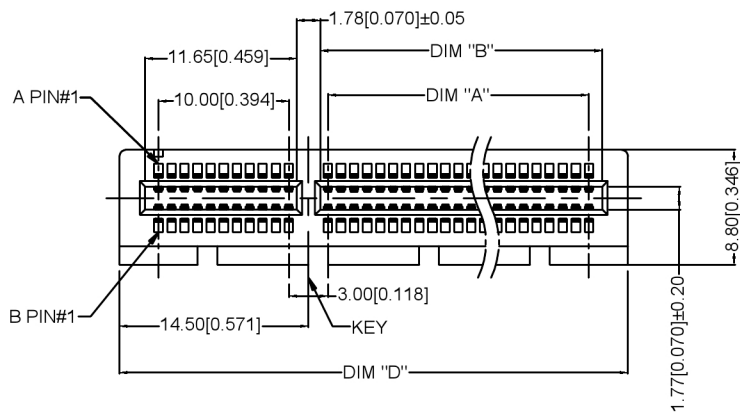
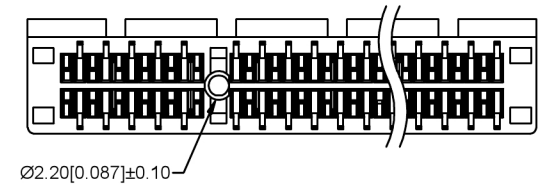
| MARK | DATE | REVISIONS | APPROVED | UNSPECIFIED TOLERANCES |
|------|------|-----------|----------|------------------------|
|      |      |           |          | ANGLAR ±5°             |
|      |      |           |          | L ≤ 4 ±0.2             |
|      |      |           |          | 4 < L ≤ 16 ±0.3        |
|      |      |           |          | 16 < L ≤ 63 ±0.4       |
|      |      |           |          | L > 63 ±0.5            |



|                                       |             |                               |
|---------------------------------------|-------------|-------------------------------|
| DSND                                  | SCALE: N/A  | MODEL TYPE:                   |
| DWN                                   | VIEW:       | PART NO.: X3183WW-XXXX-46V01  |
| CHKD                                  | UNIT: mm/in | DWG NO.: X-X3183WW-XXXX-46V01 |
| APPD                                  | SIZE: A4    | WEIGHT SHEET REVISION         |
| XKB INDUSTRIAL PRECISION CO., LIMITED |             | 1/1 A0                        |



SECTION F-F



SINGLE POST TYPE

| DIMENSIONS |        |        |        |
|------------|--------|--------|--------|
| POSITION   | A±0.10 | B±0.15 | D±0.23 |
| 36         | 6      | 7.65   | 25.00  |
| 64         | 20     | 21.65  | 39.00  |
| 98         | 37     | 38.65  | 56.00  |
| 164        | 70     | 71.65  | 89.00  |

广东星坤科技股份有限公司

|      |             |
|------|-------------|
| Δ#   | 日期          |
| Δx   | 日期          |
| Δ效   | 日期          |
| MARK | DESCRIPTION |
| 文件   | 工程章         |

| REVISIONS   | DATE | REVISED | APPROVED | UNSPECIFIED TOLERANCES |
|-------------|------|---------|----------|------------------------|
| ANGLAR      |      |         |          | ±5°                    |
| L ≤ 4       |      |         |          | ±0.2                   |
| 4 < L ≤ 16  |      |         |          | ±0.3                   |
| 16 < L ≤ 63 |      |         |          | ±0.4                   |
| L > 63      |      |         |          | ±0.5                   |



XKB INDUSTRIAL PRECISION CO., LIMITED

|      |             |                               |
|------|-------------|-------------------------------|
| DSND | SCALE: N/A  | MODEL TYPE:                   |
| DWN  | VIEW:       | PART NO.: X3183WV-XXXX-46V01  |
| CHKD | UNIT: mm/in | DWG NO.: X-X3183WV-XXXX-46V01 |
| APPD | SIZE: A4    | WEIGHT SHEET REVISION         |
|      |             | 1/1 A0                        |



NOTES 注释:

1. MATERIAL材料:

1.1 HOUSING外壳: THERMOPLASTIC, HIGH TEMP.,  
UL94V-0;  
COLOR: SEE PART NO..

1.2 CONTACTS触点: COPPER ALLOY.

1.3 CLIP接线柱: COPPER ALLOY.

2. FINISH饰面:

2.1 CONTACT触点:

SELECTEIVE GOLD PLATING ON CONTACT AREA.  
100μ"MIN. MATTE TIN PLATING ON SOLDER TAILS,  
50μ" MIN. NICKEL UNDERPLATING OVERALL.

2.2 CLIP接线柱:

100u" MIN. MATTE-TIN OVER 50u" MIN NICKEL PLATING.

X3183 WV - XX X X - 46 V01

① ②③ ④ ⑤ ⑥ ⑦ ⑧

1. Series Nunber

2. Terminal form: W-Wafer

3. Welding Board Angle : V-Straight Angle 180°

4. No. of Pins: 36~164 Pin

5. Tail Length (DIM "E") / A Type :2.3mm ;

B Type:3.1mm ; C Type:2.54mm

6. Special No:1-Dual Post Type ;

2:Clip Type ; 3:Single Post Type

7. Plastic material: PA46 /PA9T UL94V-0

8. Contact Plating:V01-Gold Flash

V15-Gold 15u"

V30-Gold 30u"

广东星坤科技股份有限公司

|    |    |
|----|----|
| Δ# | 日期 |
| Δ# | 日期 |
| Δ# | 日期 |

文件工程章

| MARK      | DESCRIPTION | DATE | REVISED | APPROVED | ANGLAR                 | ±5°  |
|-----------|-------------|------|---------|----------|------------------------|------|
|           |             |      |         |          | L ≤ 4                  | ±0.2 |
|           |             |      |         |          | 4 < L ≤ 16             | ±0.3 |
|           |             |      |         |          | 16 < L ≤ 63            | ±0.4 |
|           |             |      |         |          | L > 63                 | ±0.5 |
| REVISIONS |             |      |         |          | UNSPECIFIED TOLERANCES |      |



|                                       |             |                                  |
|---------------------------------------|-------------|----------------------------------|
| DSND                                  | SCALE: N/A  | MODEL TYPE:                      |
| DWN                                   | VIEW:       | PART NO.:<br>X3183WV-XXXX-46V01  |
| CHKD                                  | UNIT: mm/in | DWG NO.:<br>X-X3183WV-XXXX-46V01 |
| APPD                                  | SIZE: A4    | WEIGHT                           |
| XKB INDUSTRIAL PRECISION CO., LIMITED |             | SHEET                            |
|                                       |             | REVISION                         |
|                                       |             | 1/1                              |
|                                       |             | A0                               |

## X-ON Electronics

Largest Supplier of Electrical and Electronic Components

*Click to view similar products for [Standard Card Edge Connectors](#) category:*

*Click to view products by [XKB](#) manufacturer:*

Other Similar products are found below :

[CR7E-30DB-3.96E\(72\)](#) [6565204-6](#) [1437274-4](#) [EBT15622B2X](#) [EBT156-22R2W](#) [1-582587-1](#) [284-0102-12100](#) [286-0052-12101A](#)  
[306022901000000](#) [307-056-520-300](#) [A6D22DS29C2](#) [1926088-2](#) [245-062-520-350](#) [287-0032-12101](#) [306-028-525-102](#) [307-072-526-202](#) [345-](#)  
[060-559-303](#) [534671-1](#) [341-240-317](#) [345-044-500-300](#) [346-240-318](#) [395-100-524-300](#) [09-07-2032](#) [10035388-802LF](#) [10115859-011LF](#)  
[10122859-009LF](#) [101269333204245CLF](#) [530555-1](#) [66925-516LF](#) [5145409-2](#) [73726-0005](#) [66308-1](#) [5036A30](#) [PEC-07-02-T-S-A](#) [KSLX-62-](#)  
[BR](#) [CE100F26-7-C](#) [CE100F28-3-D](#) [CE100F28-4-D](#) [CE156F22-9-C](#) [CT100F24-3-D](#) [CT100F24-6-C](#) [MLSS100-12-C](#) [SCC100F-11-C](#)  
[SCC100F-20-C](#) [SCC100F-24-C](#) [SCC100F-25-C](#) [3-530656](#) [285-0112-12300](#) [346-068-556-300](#) [284-0492-11000](#)