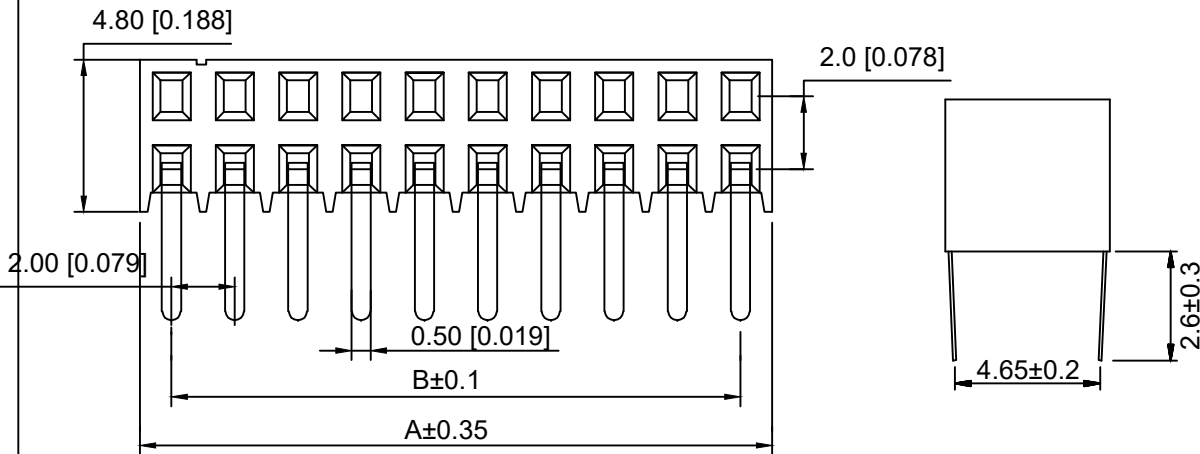
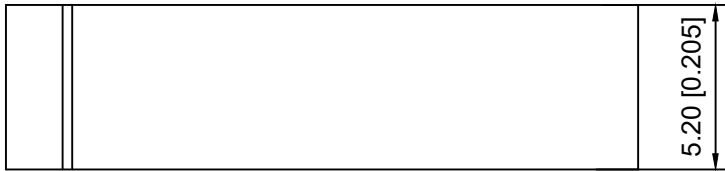


XKB Connectivity

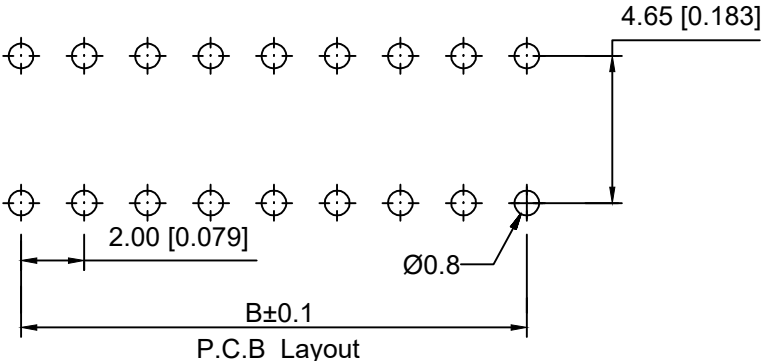
■ 规格 Specifications:

- 额定电压 Voltage rating:250VAC/DC。
- 额定电流 Current rating:1.5A AC/DC
- 耐电压 Withstanding voltage:550V AC/minute
- 温度区间 Temperature range:-40℃to+105℃
- 绝缘电阻 Insulation resistance:≥1000MΩ Min
- 接触电阻 Contact resistance:≤20MΩ Max
- 材料 Material: PA6T 94V-0
- 镀层 Planting Category: 1U"Gold
- 波峰焊温度 Wave soldering temperature:260℃ 10s



X4621 F R- 2xXX - C48 D26
 ① ② ③ ④ ⑤ ⑥

- ① Series No.
- ② Category:F-Female
- ③ Welding Board Angle:R-Stright 90°
- ④ Row No -Pin No:2xXX-2x01P-2x40P
- ⑤ Plastic height:C=4.8mm
- ⑥ Pin length:D=2.6mm



| | | | | | | | | | | | |
|-----------------------------------------------|-------------|------|---------|----------|-------------|------|------------------------|--------------------------------------|-------------|------------------------|----------|
| | | | | | ANGLAR | ±5° | XKB | DSND | SCALE: N/A | MODEL TYPE: | |
| Δx | | | | | L ≤ 4 | ±0.2 | | DWN | VIEW: | PART NO.: | |
| Δx | | | | | 4 < L ≤ 16 | ±0.3 | | CHKD | UNIT: mm/in | X-X4621FR- 2xXX-C48D26 | |
| Δx | | | | | 16 < L ≤ 63 | ±0.4 | | APPD | SIZE: A4 | DWG NO.: | |
| MARK | DESCRIPTION | DATE | REVISED | APPROVED | L > 63 | ±0.5 | UNSPECIFIED TOLERANCES | | | WEIGHT | |
| REVISIONS | | | | | | | | XKB INDUSTRIAL PRECISION CO.,LIMITED | | | SHEET |
| www.helloxkb.com www.helloxkb.cn www.xk-dg.cn | | | | | | | | | | | 1/1 |
| | | | | | | | | | | | REVISION |
| | | | | | | | | | | | A0 |

X-ON Electronics

Largest Supplier of Electrical and Electronic Components

Click to view similar products for [Headers & Wire Housings](#) category:

Click to view products by [XKB](#) manufacturer:

Other Similar products are found below :

[57102-F02-18ULF](#) [58102-G61-06LF](#) [0009485154](#) [009176003701906](#) [0050291907](#) [00-9021-0611-00-339](#) [02.125.8002.8](#) [609-3404](#) [61062-3](#)
[622-0430](#) [622-3653LF](#) [63453-116](#) [636-1030](#) [636-1427](#) [636-3427](#) [636-4007](#) [641938-9](#) [644827-2](#) [65495-038](#) [65692-001LF](#) [65781-018](#)
[65781-047](#) [65817-010LF](#) [65817-015LF](#) [66207-023LF](#) [67016-026LF](#) [67095-007LF](#) [68631-112](#) [68645-018](#) [68648-049](#) [699319-000](#)
[70.362.1628.0](#) [70-4210](#) [70-4226B](#) [70-4853B](#) [707-5020](#) [707-5028](#) [71.350.2428.0](#) [71961-016LF](#) [733-134](#) [754199-000](#) [760-3052](#) [787-8014-00](#)
[FCN-367T-T012/H](#) [80.063.4001.1](#) [800-90-001-10-001000](#) [800-90-010-10-002000](#) [801-43-002-10-013000](#) [801-43-006-10-002000](#)
[803-41-018-10-001000](#)