

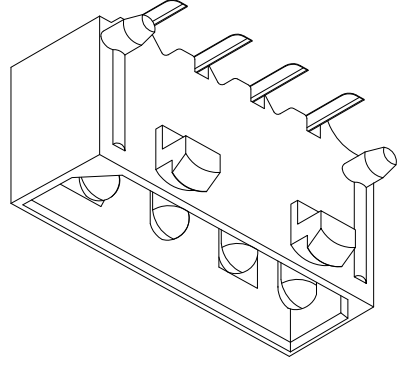
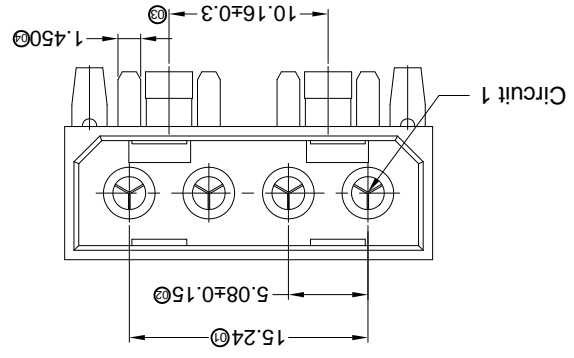
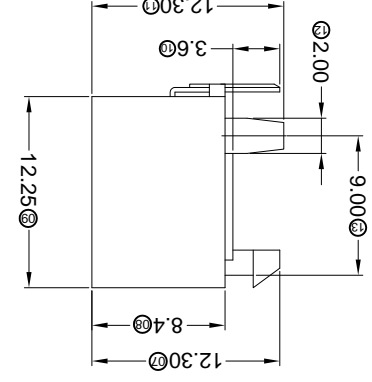
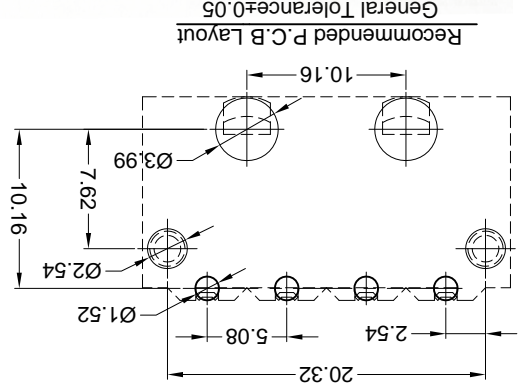
For and on behalf of  
**XKB INDUSTRIAL PRECISION CO., LIMITED**  
 香港星坤工業精密有限公司

REVISIONS  
 Authorized Signature(s)

MARK	DESCRIPTION	DATE	REVISED	APPROVED	UNSPECIFIED TOLERANCES
△ X					±0.5
△ X					16 < L ≤ 63
△ X					4 < L ≤ 16
△ X					L ≤ 4
					ANGULAR

DSND	DATE	SCALE: N/A	MODEL TYPE: X5050WR-04S-XXSN
APPD <th>DATE</th> <th>SIZE: A4</th> <th>WEIGHT: 1.0g</th>	DATE	SIZE: A4	WEIGHT: 1.0g
CHKD <th>DATE</th> <th>UNIT: mm</th> <th>DWG NO.:</th>	DATE	UNIT: mm	DWG NO.:
DWN <th>DATE</th> <th>VIEW: </th> <th>PART NO.:</th>	DATE	VIEW:	PART NO.:
	DATE		5.08mm Crimp Style Connectors
	DATE		REVISION
	DATE		SHEET
	DATE		REVISION

PART NO	Material	Material(Pin)	Finish(Pin)	Mates With XKB Housing
X5050WR-04S-N2SN	Nylon 66 UL 94V-2	Brass	Tin-Plated	X5050H
X5050WR-04S-N2SNBK	Nylon 66 UL 94V-2 Black			
X5050WR-04S-N0SN	Nylon 66 UL 94V-0			



- Specifications :
- Voltage rating: 250V AC / DC
  - Current rating: 10A AC / DC
  - Withstanding voltage: 1500V AC/minute
  - Temperature range: -25°C~+85°C
  - Insulation resistance: ≥1000MΩ
  - Contact resistance: ≤10mΩ
  - After environmental testing: ≤20mΩ
- ① Series No  
 ② Category: W-WAFER  
 ③ Welding Board Angle: R-90°  
 ④ Welding Way: Blank-DIP  
 ⑤ Row No.-Pin No.: XX-Single Row  
 ⑥ Special No: S-With Positioning Column  
 ⑦ Material: N0-PA66 94V-0; N2-PA66 94V-2  
 ⑧ Plating Category: SN-Bright Tin Plating  
 ⑨ Color: Blank-Natural Color

X5050 W R X-04S X-XX SN XX  
 ① ② ③ ④ ⑤ ⑥ ⑦ ⑧ ⑨

## X-ON Electronics

Largest Supplier of Electrical and Electronic Components

*Click to view similar products for [Headers & Wire Housings](#) category:*

*Click to view products by [XKB](#) manufacturer:*

Other Similar products are found below :

[95000-104TRLF](#) [10135584-644402LF](#) [DF62W-EP2022PCA](#) [95000-106TRLF](#) [DF62W-2022SCA](#) [DF62W-EP2022PC](#) [2203348](#) [DF62W-2022SC](#) [1084018](#) [1029039](#) [1084017](#) [802-10-012-10-002000](#) [1112640](#) [1112639](#) [891-007-9SS-BST1T](#) [000-34000](#) [0008550134](#) [0009482033](#) [0009507031](#) [57102-F02-18ULF](#) [57102-S06-03LF](#) [57202-S52-04LF](#) [PCN6-15S-2.5E](#) [0039019024](#) [58102-G61-06LF](#) [582553-1](#) [0009485154](#) [0009508121](#) [0022285053](#) [0050291907](#) [018731A](#) [LY20-4P-DT1-P1E-BR](#) [02.125.8002.8](#) [60101931](#) [60598-1 \(Cut Strip\)](#) [M1625-3R/100](#) [61062-3](#) [61082-181009](#) [CSU011177004](#) [636-1427](#) [638009-1](#) [641938-9](#) [641991-4](#) [644168-1](#) [644827-2](#) [647662-1](#) [65039-019ELF](#) [65692-001LF](#) [65781-018](#) [65781-047](#)