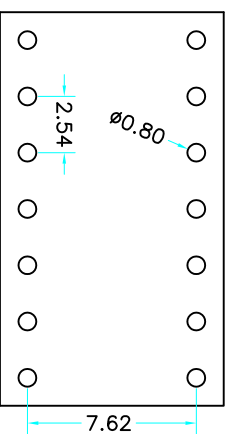
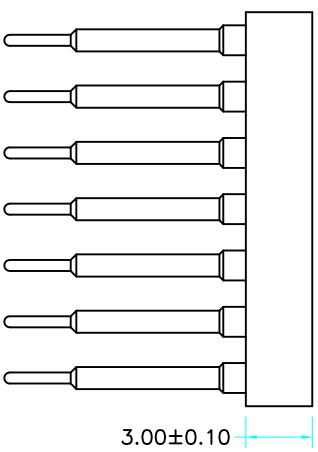
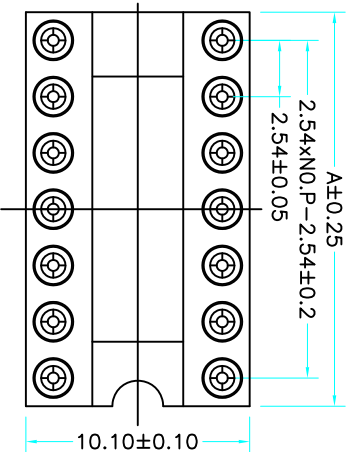
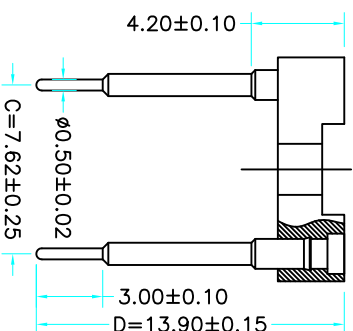


Poles	Dimensions(mm) A
2*02	5.08
2*03	7.62
2*04	10.16
2*05	12.70
2*06	15.24
2*07	17.78
2*08	20.32
2*09	22.86
2*10	25.40
2*12	30.48
2*14	35.56
2*16	40.64
2*20	50.80
2*21	53.34
2*24	60.96
2*25	63.50



Recommended P.C.B  
Layout ( $\pm 0.05$ )



**Technical Data**  
 Pin(outer sleeve):Brass,machined CuZn38Pb2  
 Clip(Contact 4 Finger):Beryllium copper,heat treated  
 Insulator:PBT UL94V-0 colour:black  
 Tin Plated:27m/80u"Ni,5um/200u"Sn  
 Gold Plated:2um"80u"Ni,GF  
 Current rating:3Amps  
 Contact resistance:max 10m Ω  
 Dielectric strength:min 1000V RMS  
 Operating temperature:-40°C to+105°C

X5621 F V-2\*XX-C762 D1390

① ② ③ ④ ⑤ ⑥

- ① Series: NO.
- ② Category: : F-Female
- ③ Welding Board Angle : V-Straight 180°
- ④ Row No-Pin No:2\*XX-03,04,05,06,07,08,09,10,12,14,16, 20,21,24,25
- ⑤ Plastic Height :C=7.62mm
- ⑥ Pin Length :D:1390=13.90mm;42=4.2mm;74=7.40mm;  
7.43=7.43mm;92=9.20mm;1020=10.20mm;1120=11.20mm;  
1150=11.50mm;1170=11.70;1220=12.20mm;1340=13.40mm  
1370=13.70mm;1420=14.20mm;1520=15.20mm;1620-16.20mm  
1780=17.80mm;1820=18.20mm

X5621 FV-2*XX-C762D1390	PBT 94V-0	Brass	Tin Gold 1u"	X5621F
PART NO	Material	Material(Terminal)	Finish(Terminal)	Mates With XKB Pin Header

MARK	DESCRIPTION	DATE	REVISED	APPROVED	UNSPECIFIED TOLERANCES	ANGULAR	±5°	DSND	DATE	SCALE: N/A	MODEL TYPE:
ΔX						L ≤ 4	±0.2	DWN	DATE	VIEW:	PART NO.:
ΔX						4 < L ≤ 16	±0.3	CHKD	DATE	UNIT: mm	DWG NO.:
ΔX						16 < L ≤ 63	±0.4	APPD	DATE	SIZE: A4	X5621 FV-2*XX-C762D1390
						L > 63	±0.5				WEIGHT
											1.0g
											SHEET
											1/1
											REVISION
											A0

## X-ON Electronics

Largest Supplier of Electrical and Electronic Components

*Click to view similar products for [XKB](#) manufacturer:*

Other Similar products are found below :

[TC-FS66D-C-A](#) [X0800WRS-06HF-LPV01](#) [U221-046N-4BU02-FS](#) [U263-241N-4BQC13](#) [X6511WVS-12H-C60D48R2](#) [X6511WR-10H-C30D60R2](#) [USB31-TYPE-C-FSABC](#) [X0515WVS-60AS-9TV01](#) [K828801H-2x11-N0](#) [X6511FRS-05-C85D30](#) [X2513WR-2x06A-LPSN](#) [PJ-3026](#) [TS-1101S-C-B-B-B](#) [XKB5858-Z-75](#) [SK-3390A-L1](#) [X3025WV-2x01-46SN](#) [TC-1102T-B](#) [X0800WRS-05HF-LPV01](#) [X1502WR-13K-N0SN](#) [U261-2422N-4B0178](#) [X6511WR-04H-C30D60R2](#) [X9821WVS-16-9TSN](#) [X6511WR-03H-C30D60R2](#) [X1311FVS-05-C43D35R2](#) [X1311FR-02-C43D24](#) [X9821H-05A-N0](#) [X1311WV-12J-C18D27](#) [X1311WVS-03J-C40D42R1](#) [X0815FVS-40BS-9TV01](#) [X1270H-PTV01-A30G50-X1270H-PTV01-IDC](#) [TC-1102-A-L-B](#) [TM-8764-1](#) [SS-13D75L3](#) [X9821H-12A-N0](#) [X1321FVS-2x18-C43D48](#) [X1311FVS-04-C43D35R1](#) [X1002WRS-04B-6TSN](#) [TGG.2B.P03.CLAD92H](#) [ZGG.0T.P03.CLL](#) [ZGG.1B.P02.CLL](#) [TGG.0T.P04.CLAC50](#) [ZGG.2B.P03.CLL](#) [ZGG.0T.P04.CLL](#) [X0725FT7BL1-A28G25-X9555H2-PTV01-IDC](#) [X1270H-PTV01-A30G40-X1270H-PTV01-IDC](#) [PCS.1S.120.CTLC52H](#) [X9555HI-PTAuN-A28G20-X9555H3-PTV01-IDC](#) [XKSIM-011B-P8-B](#) [X9821WRS-04-9TSN](#) [TS-1103S-C-K](#)