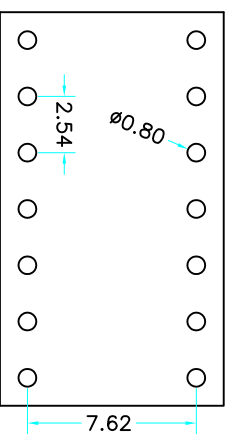
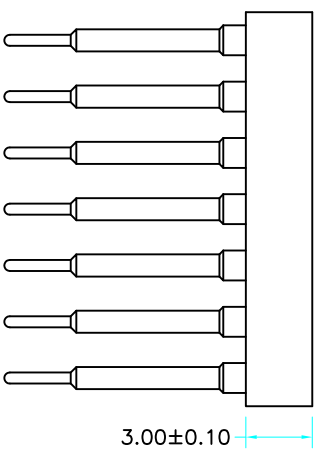
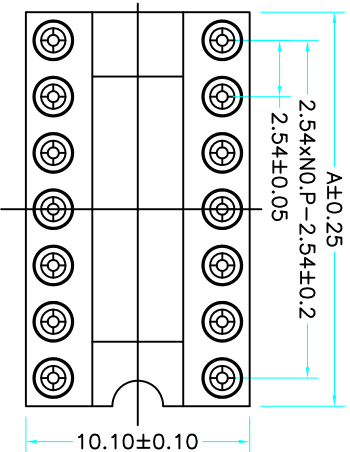
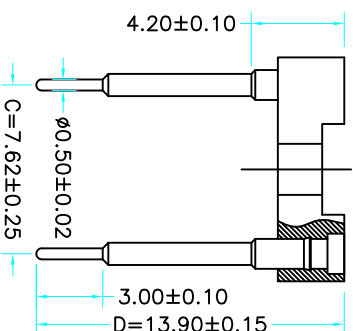


Poles	Dimensions(mm) A
2*02	5.08
2*03	7.62
2*04	10.16
2*05	12.70
2*06	15.24
2*07	17.78
2*08	20.32
2*09	22.86
2*10	25.40
2*12	30.48
2*14	35.56
2*16	40.64
2*20	50.80
2*21	53.34
2*24	60.96
2*25	63.50



Recommended P.C.B
Layout (± 0.05)



Technical Data
 Pin(outer sleeve):Brass,machined CuZn38Pb2
 Clip(Contact 4 Finger):Beryllium copper,heat treated
 Insulator:PBT UL94V-0 colour:black
 Tin Plated:27m/80u"Ni,5um/200u"Sn
 Gold Plated:2um"80u"Ni,GF
 Current rating:3Amps
 Contact resistance:max 10m Ω
 Dielectric strength:min 1000V RMS
 Operating temperature:-40°C to+105°C

X5621 F V-2*XX-C762 D1390

① ② ③ ④ ⑤ ⑥

- ① Series: NO.
- ② Category: : F-Female
- ③ Welding Board Angle : V-Straight 180°
- ④ Row No-Pin No:2*XX-03,04,05,06,07,08,09,10,12,14,16, 20,21,24,25
- ⑤ Plastic Height :C=7.62mm
- ⑥ Pin Length :D:1390=13.90mm;42=4.2mm;74=7.40mm;
7.43=7.43mm;92=9.20mm;1020=10.20mm;1120=11.20mm;
1150=11.50mm;1170=11.70;1220=12.20mm;1340=13.40mm
1370=13.70mm;1420=14.20mm;1520=15.20mm;1620-16.20mm
1780=17.80mm;1820=18.20mm

X5621 FV-2*XX-C762D1390	PBT 94V-0	Brass	Tin Gold 1u"	X5621F
PART NO	Material	Material(Terminal)	Finish(Terminal)	Mates With XKB Pin Header

MARK	DESCRIPTION	DATE	REVISED	APPROVED	UNSPECIFIED TOLERANCES	DSND	DATE	SCALE: N/A	MODEL TYPE:
ΔX						DWN	DATE	VIEW:	PART NO.:
ΔX						CHKD	DATE	UNIT: mm	DWG NO.:
ΔX						APPD	DATE	SIZE: A4	X5621 FV-2*XX-C762D1390
REVISIONS						KKB INDUSTRIAL PRECISION CO., LIMITED			
www.xk-dg.cn www.helloxkb.com www.helloxkb.cn						WEIGHT	SHEET	REVISION	
						1.0g	1/1	A0	

X-ON Electronics

Largest Supplier of Electrical and Electronic Components

Click to view similar products for [IC & Component Sockets](#) category:

Click to view products by [XKB](#) manufacturer:

Other Similar products are found below :

[614-DG5](#) [670](#) [672](#) [673](#) [712-93-120-41-001000](#) [714-93-104-31-018000](#) [8-1437531-4](#) [8150-6P10](#) [835-43-014-10-001000](#) [851-41-006-10-001000](#) [851-43-008-20-001000](#) [851-43-014-20-001000](#) [851-93-006-20-001000](#) [851-93-010-20-001000](#) [86.010.0053.0](#) [116-43-308-41-007000](#) [121-13-318-41-001000](#) [121-13-320-41-001000](#) [121-13-308-41-001000](#) [123-43-314-41-801000](#) [123-43-420-41-001000](#) [122-13-316-41-001000](#) [123-13-624-41-001000](#) [123-43-306-41-001000](#) [12-3513-11](#) [123-91-320-41-001000](#) [126-43-310-41-002000](#) [AKSUN 37V-T](#) [1437503-9](#) [1437504-1](#) [APA-640-G-P](#) [146-44-308-41-013000](#) [146-43-308-41-012000](#) [160-10-308-00-001000](#) [160-40-320-00-001000](#) [214-99-306-01-670800](#) [2-382761-4](#) [2-5331677-4](#) [2-640360-3](#) [2801-3-00-44-00-00-07-0](#) [940-44-052-17-400004](#) [299-83-314-11-001101](#) [1986000-2](#) [2103331641101000](#) [210-43-320-41-001000](#) [210-99-628-41-001000](#) [2-1437504-6](#) [2-1437515-5](#) [2-1437531-2](#) [214-AG19D](#)