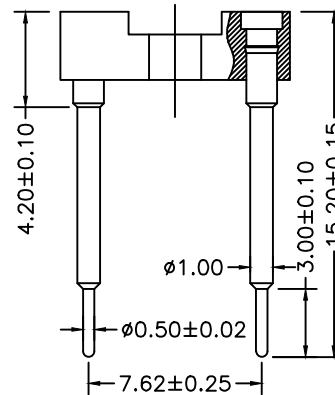


Recommended P.C.B
Layout(±0.05)



XKB Connectivity

Technical Data

Pin(outer sleeve):Brass,machined CuZn38Pb2
 ClIp(Contact 4 Finger):Beryllium copper,heat teated
 Insulator:PBT UL94V-0 colour:black
 Current rating:3Amps
 Mating pin Ø:0.38/0.56mm
 Forces:(polished steel gaugeØ0.43mm)
 -Insertion:2N typ
 -Withdrawal:1N typ
 Mechanical life:min 500cycles
 Contact resistance:max 10m Ω
 Dielectric strength:min 1000V RMS
 Operating temperature:-40°C to+105°C
 Soldering temperature:+255°C

XKB Connectivity

X5621 F V-2xXX -C30 D1520

- ①
- ②③④
- ⑤
- ⑥

- ① Series.N0.
- ② Category : F-Female
- ③ Welding Board Angle : V-Straight 180°
- ④ Row No-Pin No:2xXX-2x01P-2xXXP
- ⑤ Pin Length :C=3.0mm
- ⑥ Pin Length :D:15.20mm

XKB Connectivity

X5621FV-2xXX-C30D1520	PBT 94V-0	Brass	Tin Gold 1u'	X5621W
PART NO	Material	Material(Terminal)	Finish(Terminal)	Mates With XKB Pin Header

						DSND		DATE		SCALE: N/A	MODEL TYPE: X5621FV-2xXX-C30D1520	
Δx					ANGLAR			DATE		VIEW:	PART NO.:	
Δx					L ≤ 4	±5°		DATE		UNIT: mm/in	DWG NO.:	
Δx					4 < L ≤ 16	±0.2		DATE		SIZE: A4		
MARK	DESCRIPTION	DATE	REVISED	APPROVED	16 < L ≤ 63	±0.3		DATE				
						L > 63	±0.4					
						UNSPECIFIED TOLERANCES						
						XKB INDUSTRIAL PRECISION CO.,LIMITED				WEIGHT	SHEET	REVISION
											1/1	A0

REVISIONS
www.xk-dg.cn www.helloxkb.com www.helloxkb.cn

XKB INDUSTRIAL PRECISION CO.,LIMITED

WEIGHT SHEET REVISION
1/1 A0

X-ON Electronics

Largest Supplier of Electrical and Electronic Components

Click to view similar products for [IC & Component Sockets](#) category:

Click to view products by [XKB](#) manufacturer:

Other Similar products are found below :

[614-DG5](#) [670](#) [672](#) [673](#) [712-93-120-41-001000](#) [714-93-104-31-018000](#) [8-1437531-4](#) [8150-6P10](#) [835-43-014-10-001000](#) [851-41-006-10-001000](#) [851-43-008-20-001000](#) [851-43-014-20-001000](#) [851-93-006-20-001000](#) [851-93-010-20-001000](#) [853-43-020-10-001000](#) [86.010.0053.0](#) [116-43-308-41-007000](#) [121-13-318-41-001000](#) [121-13-320-41-001000](#) [121-13-308-41-001000](#) [123-43-314-41-801000](#) [123-43-420-41-001000](#) [122-13-316-41-001000](#) [123-13-624-41-001000](#) [123-43-306-41-001000](#) [12-3513-11](#) [123-91-320-41-001000](#) [126-43-310-41-002000](#) [AKSUN](#) [37V-T](#) [1437503-9](#) [1437504-1](#) [APA-640-G-P](#) [146-44-308-41-013000](#) [146-43-308-41-012000](#) [160-10-308-00-001000](#) [160-40-320-00-001000](#) [214-99-306-01-670800](#) [2-382761-4](#) [2-5331677-4](#) [2-640360-3](#) [2801-3-00-44-00-00-07-0](#) [940-44-052-17-400004](#) [299-83-314-11-001101](#) [1986000-2](#) [2103331641101000](#) [210-43-320-41-001000](#) [210-99-628-41-001000](#) [2-1437504-6](#) [2-1437515-5](#) [2-1437531-2](#)