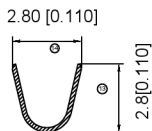
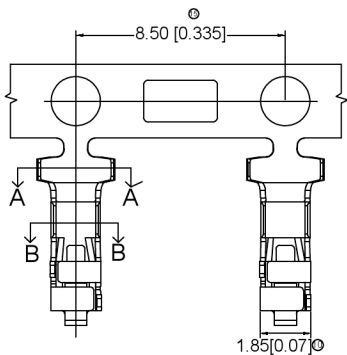
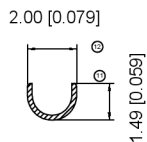


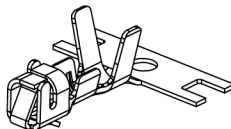
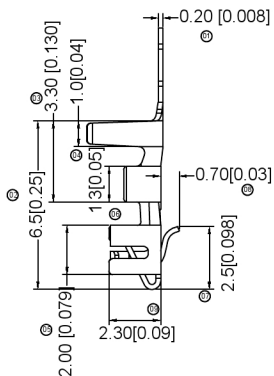
XKB



SECTION A-A
SCALE: 1:1



SECTION B-B
SCALE: 1:1



Specificationsxxb

规格:

Voltage rating:500V AC/DC

额定电压: 500V AC/DC

Current rating:3A AC/DC

额定电流: 3A AC/DC

Withstanding voltage:1000V AC/minute

耐受电压: 1000V AC/分钟

Temperature range:-25℃~+85℃

温度范围: -25℃~+85℃

Insulation resistance:≥1000MΩ

绝缘电阻: ≥1000MΩ

Contact resistance:≤10mΩ

接触电阻: ≤10mΩ XKB

After environmental testing:≤20mΩ

环境测试后: ≤20兆欧

X8821T X-X SN X-L

① ② ③ ④ ⑤ ⑥ ⑦ ⑧

- ① Series No.
- ② Category, T-Terminal
- ③ Appearance type: Blank-Ordinary
- ④ Material: P-Phosphor bronze B-Brass
- ⑤ Plating Style: SN-Bright Tin Plating
- ⑥ Plating Method:
Blank-Stamping before Plating
B-Plating before Stamping
- ⑦ Mold No./Mark/Special No.: L-With Lock

X8821T-BSN-L	Brass	AWG#22-26	1.90mm(Max)	Stamping Before Plating 30u" N: 70u" Sn	X 8821H-L
X8821T-BSNB-L				Plating Before stamping 10u" N: 40u" Sn	
X8821T-PSNB-L	Phosphor Bronze	Wire Range:	Insulation O.D.	Plating Before Stamping 10u" N: 40u" Sn	
X8821T-PSN-L				Stamping Before Plating 30u" N: 70u" Sn	
PART NO	Material	Wire Range:	Insulation O.D.	Finish	Used In XKB Housing

广东星坤科技股份有限公司

生 日期
發

文件工程章

					XKB	ANGLAR	±5°
						L ≤ 4	±0.2
						4 < L ≤ 16	±0.3
						16 < L ≤ 63	±0.4
						L > 63	±0.5
UNSPECIFIED TOLERANCES							

DSND	DATE	SCALE: NA	MODEL TYPE:
DWNN	DATE	VIEW:	PART NO.: 2.54 mm Crimp Style Connectors
CHKD	DATE	UNIT: mm/in	DWG NO.:
APPD	DATE	SIZE: A4	
XKB INDUSTRIAL PRECISION CO., LIMITED			WEIGHT 1.0g SHEET 1/1 REVISION A0

REVISIONS
DATE REVISED APPROVED
www.heloxkb.com

X-ON Electronics

Largest Supplier of Electrical and Electronic Components

Click to view similar products for [Terminals](#) category:

Click to view products by [XKB](#) manufacturer:

Other Similar products are found below :

[00-054007-01074-6](#) [00-054007-70206-1](#) [00-054007-70210-8](#) [00-054007-70217-7](#) [00-054007-70228-3](#) [00-054007-70256-6](#) [00-054007-70316-7](#) [00-054007-49560-4](#) [00-054007-70209-2](#) [00-054007-70231-3](#) [00-054007-70241-2](#) [00-054007-70242-9](#) [00-054007-70246-7](#) [00-054007-70263-4](#) [00-054007-70288-7](#) [00-054007-70290-0](#) [00-054007-70300-6](#) [00-054007-70304-4](#) [01-2900-1-04412](#) [00581P0075](#) [600TS-10](#) [604200-1](#) [605601-1](#) [60598-1-CUT-TAPE](#) [60617-1-C](#) [61314-6-C](#) [61810-3](#) [62149-1](#) [626-0194](#) [62-NBM-A](#) [62-SP](#) [63-S](#) [M55155/059I03](#)
[M55155/079C01](#) [M55155/099B03](#) [M55155/099H02](#) [M55155/109H01](#) [M55155/12XH05](#) [M55155/16XH02](#) [M55155/29-5S](#) [M55155/29XJ08](#)
[M55155/30-6S](#) [M55155/30-9S](#) [M55155/30XI09](#) [696683-1](#) [696861-1](#) [696999-1](#) [M86700006](#) [D18-110B-C](#) [D18-110B-M](#)