

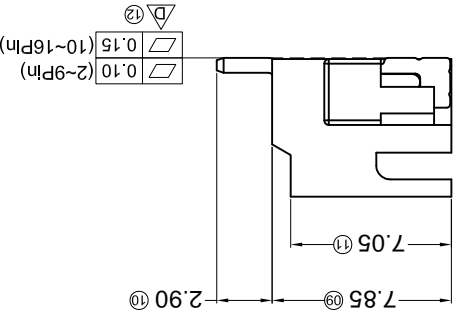
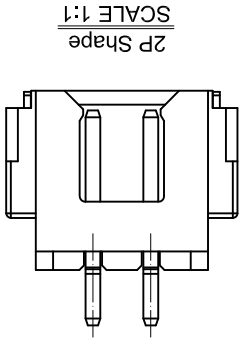
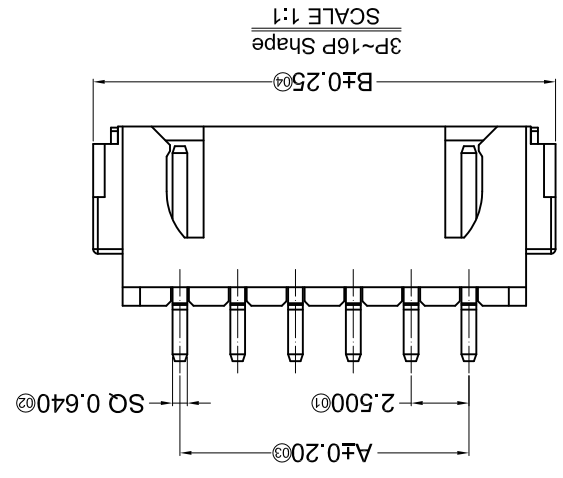
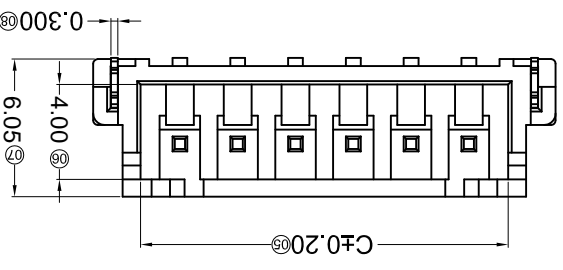
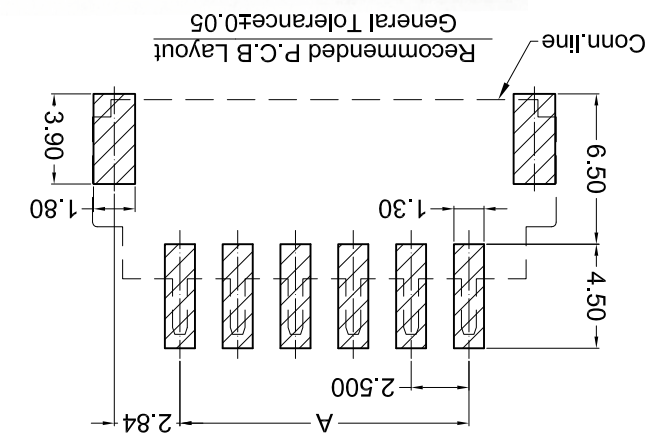
For and on behalf of
XKB INDUSTRIAL PRECISION CO., LIMITED
 香港星坤工業精密有限公司

MARK	DESCRIPTION	DATE	REVISIONS	APPROVED	REVISOR	DATE	UNSPECIFIED TOLERANCES
△ X							L > 63 ± 0.5
△ X							16 < L ≤ 63 ± 0.4
△ X							4 < L ≤ 16 ± 0.3
							L ≤ 4 ± 0.2
							ANGULAR ± 5°

REVISION	SHEET	WEIGHT	DATE	DATE	DATE	DATE	DATE	DATE	DATE
A0	1/1	1.0g							

XKB INDUSTRIAL PRECISION CO., LIMITED

MODEL TYPE:	X8821WRS-XX-9TXXX
PART NO.:	
VIEW:	VIEW: 2.50mm Crimp Style Connector
UNIT:	mm
SIZE:	A4



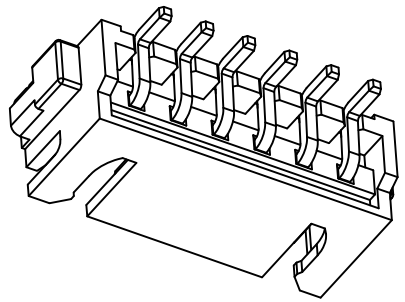
PART NO	Material	Solder (Pin and Tabs)	Finish (Pin)	Finish (Solder Tabs)	Suitable XKB Terminal
X8821WRS-XX-9T01	PA 9T UL 94V-0	Brass	Tin-Plated	Tin-Plated	X8821H
X8821WRS-XX-9T5N			Tin-Plated	Tin-Plated	

Poles	Dimensions (mm)		
	A	B	C
02	2.50	10.00	5.90
03	5.00	12.50	8.40
04	7.50	15.00	10.90
05	10.00	17.50	13.40
06	12.50	20.00	15.90
07	15.00	22.50	18.40
08	17.50	25.00	20.90
09	20.00	27.50	23.40
Dimensions (mm)			
	A	B	C
02	22.50	30.00	25.90
03	32.50	32.50	28.40
04	35.00	30.90	30.90
05	37.50	33.40	33.40
06	40.00	35.90	35.90
07	42.50	38.40	38.40
08	45.00	40.90	40.90
09	47.50	43.40	43.40

- ① Series No.
- ② Category: W-WAFER
- ③ Welding Board Angle: R-Right Angle 90°
- ④ Welding Way: S-SMT
- ⑤ Row No.-Pin No.: XX-02P~16P
- ⑥ Plug the Pin & Special No.:
- ⑦ Material: 9T -PA9T UL 94V-0
- ⑧ Plating Category: SN-Bright Tin Plating
- ⑨ Color : Blank-Natural Color

X8821 W R S-XX X-9T XX XX

- Specifications :**
- Voltage rating: 250V AC / DC
 - Current rating: 3A AC / DC
 - Withstanding voltage: 1000V AC/minute
 - Temperature range: -25°C~+85°C
 - Insulation resistance: ≥1000MΩ
 - Contact resistance: ≤10mΩ
 - After environmental testing: ≤20mΩ



X-ON Electronics

Largest Supplier of Electrical and Electronic Components

Click to view similar products for [Headers & Wire Housings](#) category:

Click to view products by [XKB](#) manufacturer:

Other Similar products are found below :

[95000-104TRLF](#) [10135584-644402LF](#) [DF62W-EP2022PCA](#) [95000-106TRLF](#) [DF62W-2022SCA](#) [DF62W-EP2022PC](#) [2203348](#) [DF62W-2022SC](#) [1084018](#) [1029039](#) [1084017](#) [802-10-012-10-002000](#) [1112640](#) [1112639](#) [891-007-9SS-BST1T](#) [000-34000](#) [0008550134](#) [0009482033](#) [0009507031](#) [57102-F02-18ULF](#) [57102-S06-03LF](#) [57202-S52-04LF](#) [PCN6-15S-2.5E](#) [0039019024](#) [58102-G61-06LF](#) [582553-1](#) [0009485154](#) [0009508121](#) [0022285053](#) [0050291907](#) [018731A](#) [LY20-4P-DT1-P1E-BR](#) [02.125.8002.8](#) [60101931](#) [60598-1 \(Cut Strip\)](#) [M1625-3R/100](#) [61062-3](#) [61082-181009](#) [CSU011177004](#) [636-1427](#) [638009-1](#) [641938-9](#) [641991-4](#) [644168-1](#) [644827-2](#) [647662-1](#) [65039-019ELF](#) [65692-001LF](#) [65781-018](#) [65781-047](#)