

Specifications:

规格:

Voltage rating:250V AC/DC

额定电压: 250V AC/DC

Current rating:3A AC/DC

额定电流: 3A AC/DC

Withstanding voltage:1000V AC/minute

耐受电压: 1000V AC/分钟

Temperature range:-40°C-+85°C

温度范围: -40°C-+85°C

Insulation resistance: 1000MΩ min

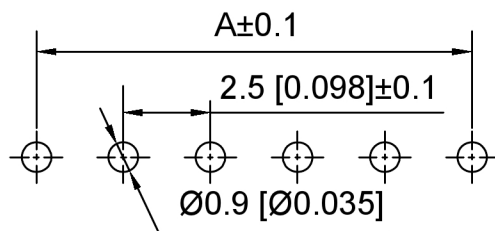
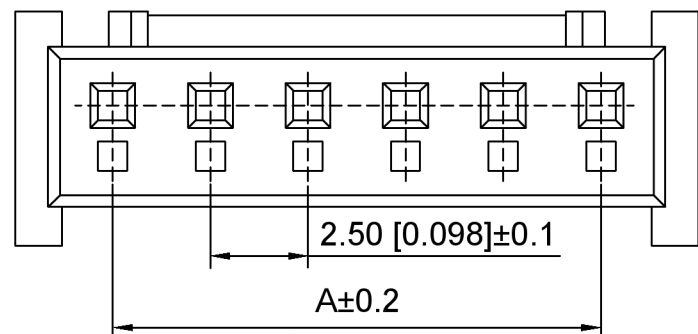
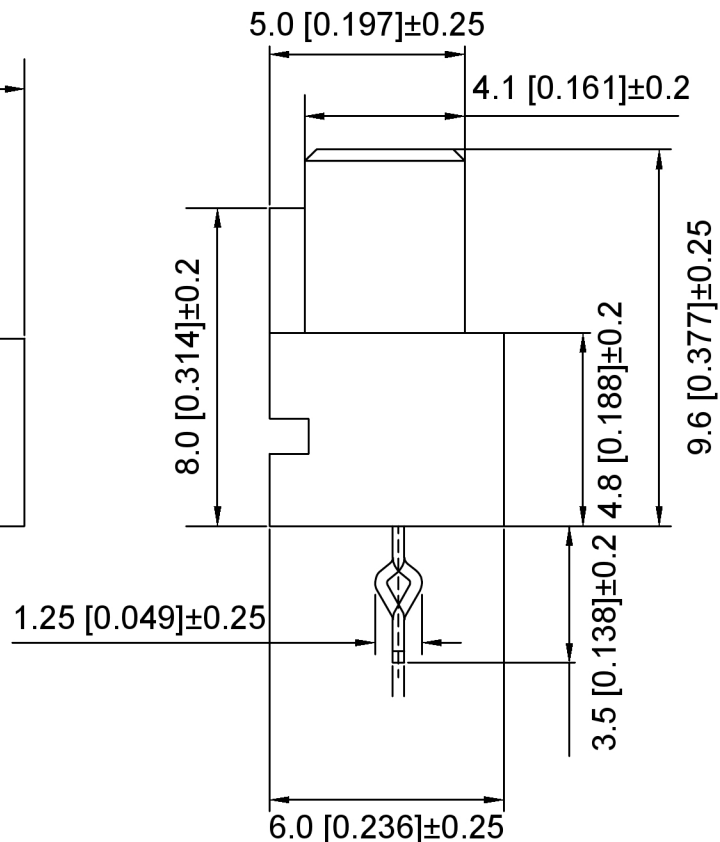
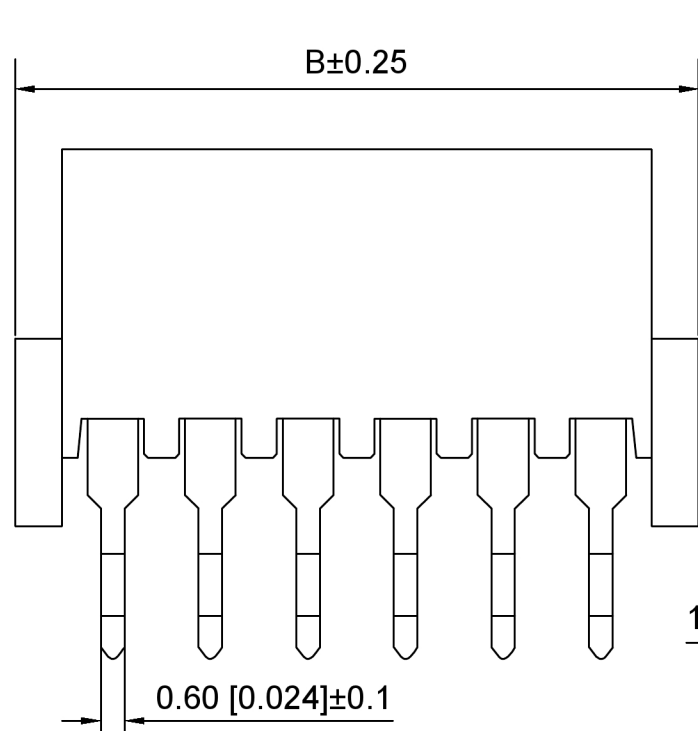
绝缘电阻: 1000MΩ Min

Contact resistance:20mΩ Max

接触电阻: 20mΩ Max

X8821 W V-XX A-N0 SN
① ② ③ ④ ⑤ ⑥ ⑦

- 1.Series No
- 2.Category:W-Wafer
- 3.Welding Board Angle:V-Straight 180°
- 4..Row No-Pin No:XX-03P~20P
- 5.TYPE:A
- 6.Material:N0-Nylon66 UL94V-0
- 7.Plating Category:SN-Bright Tin Plating



| Poles | Dimensions(mm) | |
|-------|----------------|-------|
| | A | B |
| 03 | 5.00 | 10.00 |
| 04 | 7.50 | 12.50 |
| 05 | 10.00 | 15.00 |
| 06 | 12.50 | 17.50 |
| 07 | 15.00 | 20.00 |
| 08 | 17.50 | 22.50 |
| 09 | 20 | 25.00 |
| 10 | 22.50 | 27.50 |
| 11 | 25.00 | 30.00 |
| 12 | 27.50 | 32.50 |
| 20 | 47.50 | 52.50 |

| | | | | |
|------------------|----------|-----------------|----------------------|-----------------------|
| X8821WV-XXA-N0SN | Nylon66 | Phosphor bronze | X8821H | X8821T |
| PART NO | Material | Material(PIN) | Suitable XKB Housing | Suitable XKB Terminal |

广东星坤科技股份有限公司

| MARK | DESCRIPTION | DATE | REVISED | APPROVED | UNSPECIFIED TOLERANCES |
|------|-------------|------|---------|----------|------------------------|
| Δx | | | | | ANGULAR ±5° |
| Δx | | | | | L ≤ 4 ±0.2 |
| Δx | | | | | 4 < L ≤ 16 ±0.3 |
| | | | | | 16 < L ≤ 63 ±0.4 |
| | | | | | L > 63 ±0.5 |



| | | |
|------|-------------|---|
| DSND | SCALE: N/A | MODEL TYPE: 2.5 mm BTB Style Connector |
| DWN | VIEW: | PART NO.: X8821WV-XXA-N0SN |
| CHKD | UNIT: mm/in | DWG NO.: X-X8821WV-XXA-N0SN |
| APPD | SIZE: A4 | WEIGHT |
| | | SHEET |
| | | REVISION |
| | | 1/1 |
| | | A0 |

XKB INDUSTRIAL PRECISION CO., LIMITED

X-ON Electronics

Largest Supplier of Electrical and Electronic Components

Click to view similar products for [Headers & Wire Housings](#) category:

Click to view products by [XKB](#) manufacturer:

Other Similar products are found below :

[0015917161](#) [0022155065](#) [57102-F02-18ULF](#) [58102-G61-06LF](#) [582553-1](#) [01.001.5753.1](#) [0050291907](#) [02.125.8002.8](#) [609-3404](#) [61062-3](#)
[CSU011177004](#) [622-0430](#) [622-3653LF](#) [63453-116](#) [636-1030](#) [636-1427](#) [636-3427](#) [636-4007](#) [641938-9](#) [65495-038](#) [65692-001LF](#) [65781-018](#)
[65781-047](#) [65817-010LF](#) [65817-015LF](#) [67095-007LF](#) [67601157](#) [68631-112](#) [68645-018](#) [699319-000](#) [70.362.1628.0](#) [70-4210](#) [70-4226B](#) [70-](#)
[4853B](#) [71.350.2428.0](#) [733-134](#) [733-162](#) [760-3052](#) [MHR-64-VUAL](#) [80.063.4001.1](#) [800-90-001-10-001000](#) [801-43-002-10-013000](#)
[801-43-006-10-002000](#) [803-43-024-10-001000](#) [803-93-012-10-001000](#) [8-1437020-4](#) [819-22-004-30-001101](#) [820-22-006-30-001101](#)
[820-22-008-30-001101](#) [821-22-002-10-001101](#)