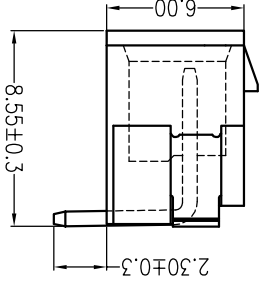
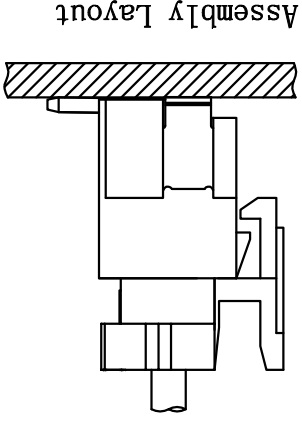
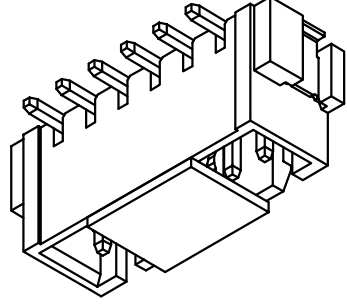
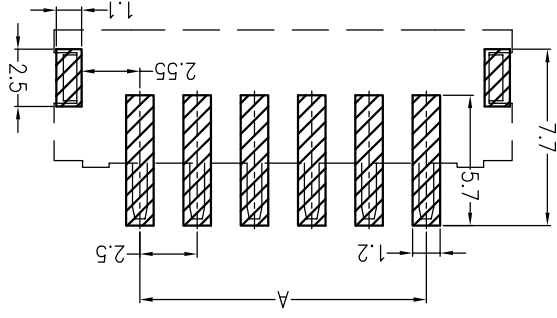


### SUGGESTED PCB LAYOUT



| Poles | Dimensions (mm) |       |       |       |
|-------|-----------------|-------|-------|-------|
|       | A               | B     | C     | D     |
| 02    | 2.50            | 7.50  | 10.00 | 6.00  |
| 03    | 5.00            | 10.00 | 12.50 | 8.50  |
| 04    | 7.50            | 12.50 | 15.00 | 11.00 |
| 05    | 10.00           | 15.00 | 17.50 | 13.50 |
| 06    | 12.50           | 17.50 | 20.00 | 16.00 |
| 07    | 15.00           | 20.00 | 22.50 | 18.50 |
| 08    | 17.50           | 22.50 | 25.00 | 21.00 |
| 09    | 20.00           | 25.00 | 27.50 | 23.50 |

| Poles | Dimensions (mm) |       |       |       |
|-------|-----------------|-------|-------|-------|
|       | A               | B     | C     | D     |
| 02    | 2.50            | 7.50  | 10.00 | 6.00  |
| 03    | 5.00            | 10.00 | 12.50 | 8.50  |
| 04    | 7.50            | 12.50 | 15.00 | 11.00 |
| 05    | 10.00           | 15.00 | 17.50 | 13.50 |
| 06    | 12.50           | 17.50 | 20.00 | 16.00 |
| 07    | 15.00           | 20.00 | 22.50 | 18.50 |
| 08    | 17.50           | 22.50 | 25.00 | 21.00 |
| 09    | 20.00           | 25.00 | 27.50 | 23.50 |

X8821 W V S-XX L-LP SN XX

- ① Series No.  
 ② Category: W-WAFER  
 ③ Welding Board Angle: V-180°  
 ④ Welding Way: S-SMT  
 ⑤ Row No.-Pin No.: XX-02P~16P  
 ⑥ Plug the Pin & Special No.: L-With Lock  
 ⑦ Material: LP-LCP UL 94V-0  
 ⑧ Plating Category: SN-Bright Tin Plating  
 ⑨ Color: Blank-Natural Color
- Specifications:
- Voltage rating: 250V AC / DC
  - Current rating: 2A AC / DC
  - Withstanding voltage: 1000V AC/minute
  - Temperature range: -25°C~+85°C
  - Insulation resistance:  $\geq 500M\Omega$
  - Contact resistance:  $\leq 20m\Omega$
  - After environmental testing:  $\leq 30m\Omega$

| PART NO            | Material     | Solder (Pin and Solder Tabs) | Finish (Pin and Solder Tabs) | Mates With XKB Housing |
|--------------------|--------------|------------------------------|------------------------------|------------------------|
| X8821WVS-XXL-LP-SN | LCP UL 94V-0 | Phosphor Bronze              | Tin-Plated                   | X8821H-L               |

| DSND   | DATE   | SCALE: N/A | MODEL TYPE: 2.50mm Crimp Style Connector |
|--|--|------------|--|
| DWN <td>DATE <td>VIEW: </td> <td>PART NO.: X8821WVS-XXL-LP-SN</td> </td> | DATE <td>VIEW: </td> <td>PART NO.: X8821WVS-XXL-LP-SN</td> | VIEW:      | PART NO.: X8821WVS-XXL-LP-SN             |
| CHKD <td>DATE <td>UNIT: mm</td> <td>DWG NO.:</td> </td>                  | DATE <td>UNIT: mm</td> <td>DWG NO.:</td>                   | UNIT: mm   | DWG NO.:                                 |
| APPD <td>DATE <td>SIZE: A4</td> <td>REVISION</td> </td>                  | DATE <td>SIZE: A4</td> <td>REVISION</td>                   | SIZE: A4   | REVISION                                 |

| MARK | DESCRIPTION | DATE | REVISED | APPROVED | UNSPECIFIED TOLERANCES |
|------|-------------|------|---------|----------|------------------------|
| △X   |             |      |         |          | L > 63 ±0.5            |
| △X   |             |      |         |          | 16 < L ≤ 63 ±0.4       |
| △X   |             |      |         |          | 4 < L ≤ 16 ±0.3        |
|      |             |      |         |          | L ≤ 4 ±0.2             |
|      |             |      |         |          | ANGULAR ±5°            |

## X-ON Electronics

Largest Supplier of Electrical and Electronic Components

*Click to view similar products for [Headers & Wire Housings](#) category:*

*Click to view products by [XKB](#) manufacturer:*

Other Similar products are found below :

[95000-104TRLF](#) [10135584-644402LF](#) [DF62W-EP2022PCA](#) [95000-106TRLF](#) [DF62W-2022SCA](#) [DF62W-EP2022PC](#) [2203348](#) [DF62W-2022SC](#) [1084018](#) [1029039](#) [1084017](#) [802-10-012-10-002000](#) [1112640](#) [1112639](#) [891-007-9SS-BST1T](#) [000-34000](#) [0008550134](#) [0009482033](#) [0009507031](#) [57102-F02-18ULF](#) [57102-S06-03LF](#) [57202-S52-04LF](#) [PCN6-15S-2.5E](#) [0039019024](#) [58102-G61-06LF](#) [582553-1](#) [0009485154](#) [0009508121](#) [0022285053](#) [0050291907](#) [018731A](#) [LY20-4P-DT1-P1E-BR](#) [02.125.8002.8](#) [60101931](#) [60598-1 \(Cut Strip\)](#) [M1625-3R/100](#) [61062-3](#) [61082-181009](#) [CSU011177004](#) [636-1427](#) [638009-1](#) [641938-9](#) [641991-4](#) [644168-1](#) [644827-2](#) [647662-1](#) [65039-019ELF](#) [65692-001LF](#) [65781-018](#) [65781-047](#)