

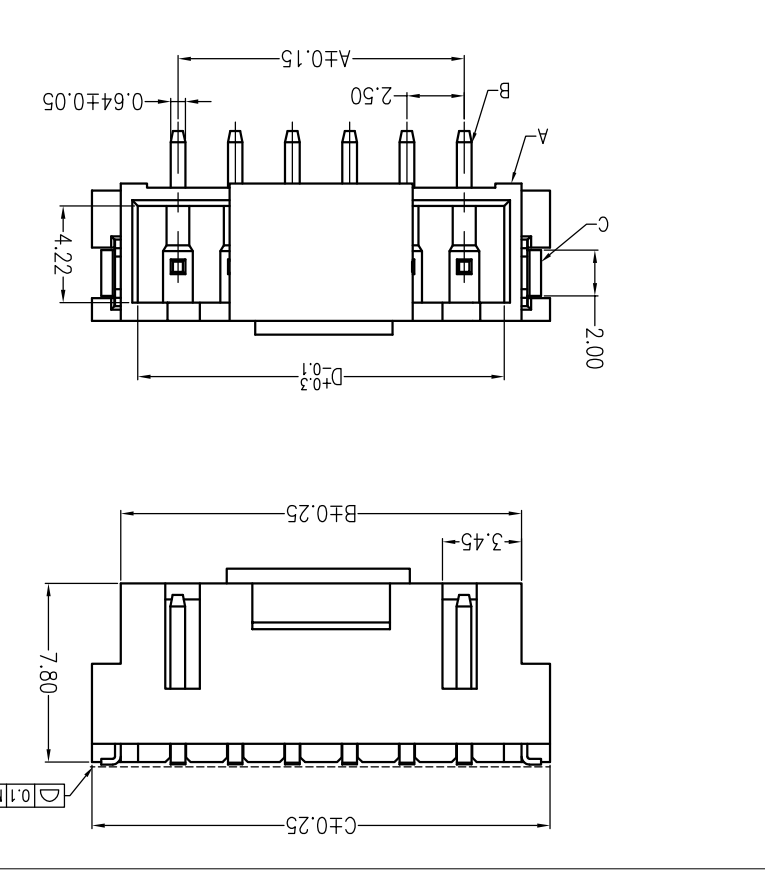
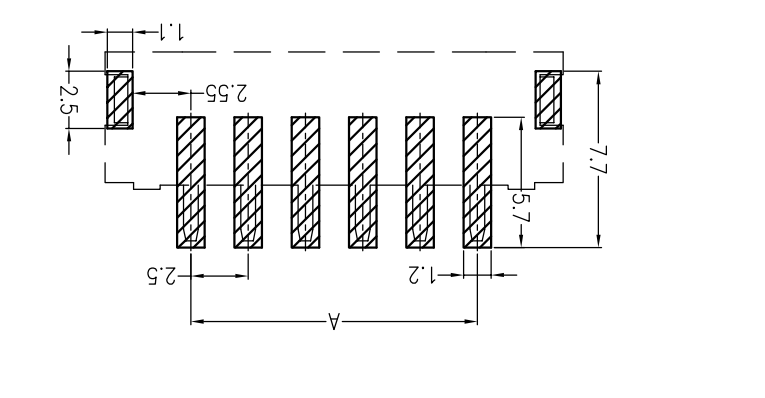
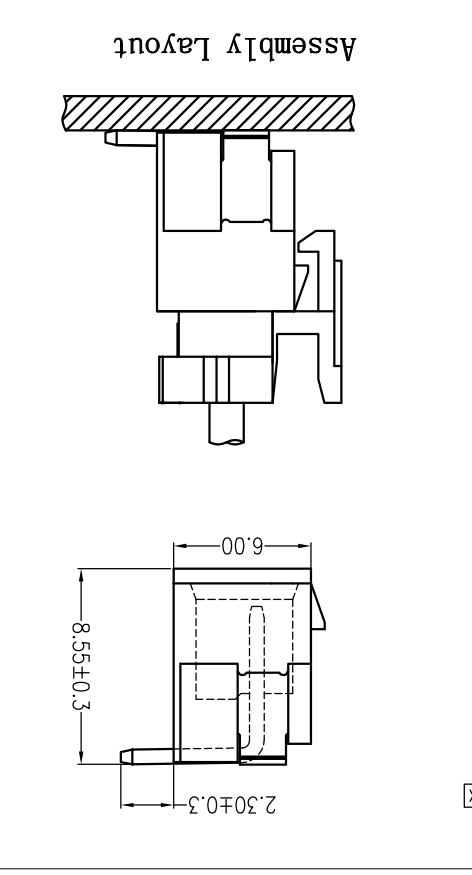
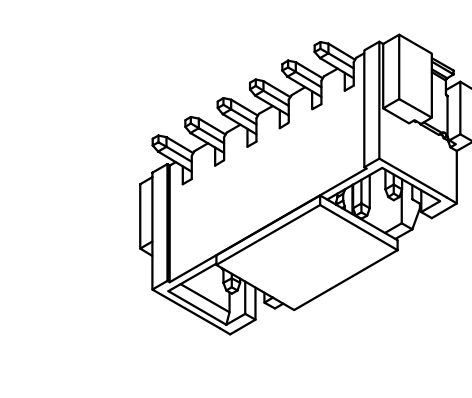
MARK		REVISIONS				UNSPECIFIED TOLERANCES			
△X		DATE	REVISED	APPROVED	L > 63	±0.5			
△X					16 < L ≤ 63	±0.4			
△X					4 < L ≤ 16	±0.3			
					L ≤ 4	±0.2			
					ANGULAR	F5°			
www.xk-dg.cn www.hellokxb.com www.hellokxb.cn									
XKB INDUSTRIAL PRECISION CO., LIMITED									
WEIGHT	1.0g	SHEET	1/1	REVISION	A0				

DSND	DATE	SCALE: N/A	MODEL TYPE: 2.50mm Crimp Style Connector
DWN	DATE	VIEW:	PART NO.: X8821WVS-XXL-LPSN
CHKD	DATE	UNIT: mm	DWG NO.:
APPD	DATE	SIZE: A4	

PART NO	X8821WVS-XXL-LPSN	Material	LCP UL 94V-0
Material (Pin and Solder Tabs)	Phosphor Bronze	Material (Pin and Solder Tabs)	Tin-Plated
Finish (Pin and Solder Tabs)	Tin-Plated	Mates With XKB Housing	X8821H-L

Poles	Dimensions (mm)									
	A	B	C	D						
Poles	02	2.50	7.50	10.00	6.00	10	22.50	27.50	30.00	26.00
	03	5.00	10.00	12.50	8.50	11	25.00	30.00	32.50	28.50
	04	7.50	12.50	15.00	11.00	12	27.50	32.50	35.00	31.00
	05	10.00	15.00	17.50	13.50	13	30.00	35.50	37.50	33.50
	06	12.50	17.50	20.00	16.00	14	32.50	37.50	40.00	36.00
	07	15.00	20.00	22.50	18.50	15	35.00	40.00	42.50	38.50
	08	17.50	22.50	25.00	21.00	16	37.50	42.50	45.00	41.00
	09	20.00	25.00	27.50	23.50	17	40.00	45.00	47.50	43.50



① Series No.      ② Category: W-WAFER      ③ Welding Board Angle: V-180°      ④ Welding Way: S-SMT      ⑤ Row No.-Pin No.: XX-02P~16P      ⑥ Plug the Pin & Special No.: L-With Lock      ⑦ Material: LP-LCP UL 94V-0      ⑧ Plating Category: SN-Bright Tin Plating      ⑨ Color: Blank-Natural Color

- Specifications :
- Voltage rating: 250V AC / DC
  - Current rating: 2A AC / DC
  - Withstanding voltage: 1000V AC/minute
  - Temperature range: -25°C~+85°C
  - Insulation resistance: ≥500MΩ
  - Contact resistance: ≤20mΩ
  - After environmental testing: ≤30mΩ

X8821 W V S-XX L-LP SN XX      ①      ②      ③      ④      ⑤      ⑥      ⑦      ⑧      ⑨

## X-ON Electronics

Largest Supplier of Electrical and Electronic Components

*Click to view similar products for [Headers & Wire Housings](#) category:*

*Click to view products by [XKB](#) manufacturer:*

Other Similar products are found below :

[95000-104TRLF](#) [10135584-644402LF](#) [DF62W-EP2022PCA](#) [95000-106TRLF](#) [DF62W-2022SCA](#) [DF62W-EP2022PC](#) [2203348](#) [DF62W-2022SC](#) [1084018](#) [1029039](#) [1084017](#) [802-10-012-10-002000](#) [1112640](#) [1112639](#) [891-007-9SS-BST1T](#) [000-34000](#) [0008550134](#) [0009482033](#) [0009507031](#) [57102-F02-18ULF](#) [57102-S06-03LF](#) [57202-S52-04LF](#) [PCN6-15S-2.5E](#) [0039019024](#) [58102-G61-06LF](#) [582553-1](#) [0009485154](#) [0009508121](#) [0022285053](#) [0050291907](#) [018731A](#) [LY20-4P-DT1-P1E-BR](#) [02.125.8002.8](#) [60101931](#) [60598-1 \(Cut Strip\)](#) [M1625-3R/100](#) [61062-3](#) [61082-181009](#) [CSU011177004](#) [636-1427](#) [638009-1](#) [641938-9](#) [641991-4](#) [644168-1](#) [644827-2](#) [647662-1](#) [65039-019ELF](#) [65692-001LF](#) [65781-018](#) [65781-047](#)