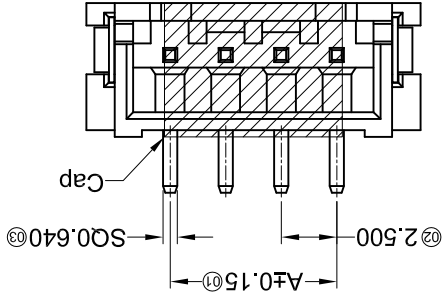
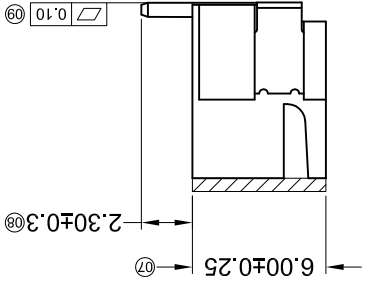
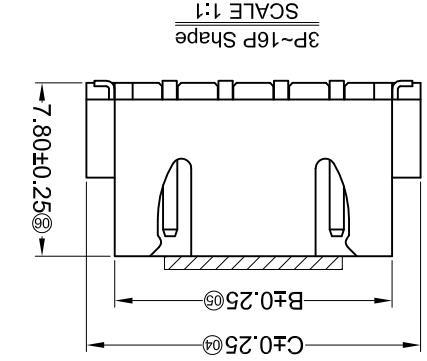
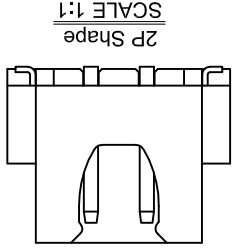
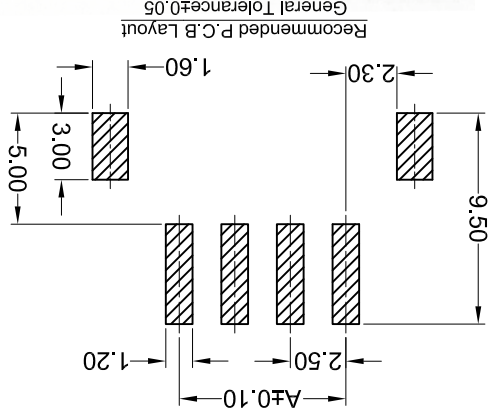


For and on behalf of
XKB INDUSTRIAL PRECISION CO., LIMITED
 香港星坤工業精密有限公司

MARK	DESCRIPTION	DATE	REVISED	APPROVED	UNSPECIFIED TOLERANCES
△X					±0.5
△X					L > 63 16 < L ≤ 63
△X					L ≤ 4 4 < L ≤ 16
					ANGULAR ±5°

REVISION	SHEET	WEIGHT	XKB INDUSTRIAL PRECISION CO., LIMITED			
A0	1/1	1.0g	SIZE: A4	DATE	DATE	DATE
			UNIT: mm	DATE	DATE	DATE
			VIEW:	DATE	DATE	DATE
			SCALE: N/A	DATE	DATE	DATE
			MODEL TYPE: X8821WVS-XX-9TSN			
			PART NO.:			
			2.50mm Crimp Style Connectors			
			DWG NO.:			



PART NO	Material	Material (Pin)	Finish (Pin)	Material (Solder Tabs)	Finish (Pin)	Material (Solder Tabs)	PART NO	Material	Material (Pin)	Finish (Pin)	Material (Solder Tabs)	Finish (Pin)	X8821WVS-XX-9TSN	
													PA9T UL 94V-0	Brass
09	20.00	24.95	27.50				09	20.00	24.95	27.50			A	C
08	17.50	22.45	25.00	16	37.50	42.45	08	17.50	22.45	25.00	16	37.50	B	C
07	15.00	19.95	22.50	15	35.00	39.95	07	15.00	19.95	22.50	15	35.00	A	B
06	12.50	17.45	20.00	14	32.50	37.45	06	12.50	17.45	20.00	14	32.50	A	B
05	10.00	14.95	17.50	13	30.00	34.95	05	10.00	14.95	17.50	13	30.00	A	B
04	7.50	12.45	15.00	12	27.50	32.45	04	7.50	12.45	15.00	12	27.50	A	B
03	5.00	9.95	12.50	11	25.00	29.95	03	5.00	9.95	12.50	11	25.00	A	B
02	2.50	7.45	10.00	10	22.50	27.45	02	2.50	7.45	10.00	10	22.50	A	B

- ① Series No. X8821 W V S-XX X-9T SN XX
 ② Category: W-WAFER
 ③ Welding Board Angle: V-180°
 ④ Welding Way: S-SMT
 ⑤ Row No.-Pin No.: XX-Single Row
 ⑥ Plug the Pin & Special No.:
 ⑦ Material: 9T -PA9T 94V-0
 ⑧ Plating Category: SN-Bright Tin Plating
 ⑨ Color: Blank-Natural Color

- Specifications:
 • Voltage rating: 250V AC / DC
 • Current rating: 3A AC / DC
 • Withstanding voltage: 1000V AC/minute
 • Temperature range: -25°C~+85°C
 • Insulation resistance: ≥1000MΩ
 • Contact resistance: ≤10mΩ
 • After environmental testing: ≤20mΩ

X-ON Electronics

Largest Supplier of Electrical and Electronic Components

Click to view similar products for [Headers & Wire Housings](#) category:

Click to view products by [XKB](#) manufacturer:

Other Similar products are found below :

[95000-104TRLF](#) [10135584-644402LF](#) [DF62W-EP2022PCA](#) [95000-106TRLF](#) [DF62W-2022SCA](#) [DF62W-EP2022PC](#) [2203348](#) [DF62W-2022SC](#) [1084018](#) [1029039](#) [1084017](#) [802-10-012-10-002000](#) [1112640](#) [1112639](#) [891-007-9SS-BST1T](#) [000-34000](#) [0008550134](#) [0009482033](#) [0009507031](#) [57102-F02-18ULF](#) [57102-S06-03LF](#) [57202-S52-04LF](#) [PCN6-15S-2.5E](#) [0039019024](#) [58102-G61-06LF](#) [582553-1](#) [0009485154](#) [0009508121](#) [0022285053](#) [0050291907](#) [018731A](#) [LY20-4P-DT1-P1E-BR](#) [02.125.8002.8](#) [60101931](#) [60598-1 \(Cut Strip\)](#) [M1625-3R/100](#) [61062-3](#) [61082-181009](#) [CSU011177004](#) [636-1427](#) [638009-1](#) [641938-9](#) [641991-4](#) [644168-1](#) [644827-2](#) [647662-1](#) [65039-019ELF](#) [65692-001LF](#) [65781-018](#) [65781-047](#)