

REVISIONS		UNSPECIFIED TOLERANCES		APPROVED		REVISED		DATE		DESCRIPTION		MARK	
X		±0.2		L > 63						REVISIONS		X	
X		±0.2		16 < L ≤ 63						DESCRIPTION		X	
X		±0.2		4 < L ≤ 16						DATE		X	
		±0.2		L ≤ 4						REVISED			
		±0.2		ANGULAR						APPROVED			
		±0.5°								DATE			
										DATE			
DMSD		SCALE: N/A		VIEW:		UNIT: mm		SIZE: A4		WEIGHT		REVISION	
PART NO.		X8826WR-2*XX-N0SN		PART NO.:		2.50mm Crimp style Connector		DWG NO.:		SHEET		A0	
MODEL TYPE:		X8826WR-2*XX-N0SN		MODEL TYPE:		Suitable XKB Terminal				SHEET		1/1	

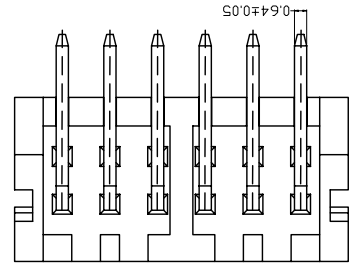
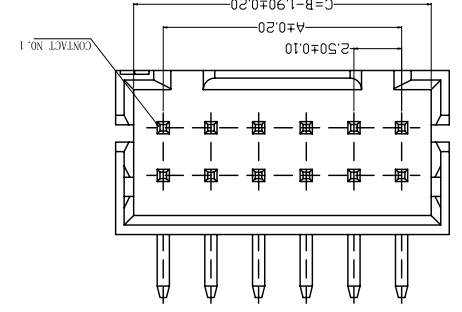
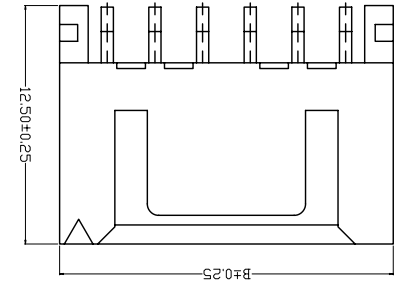
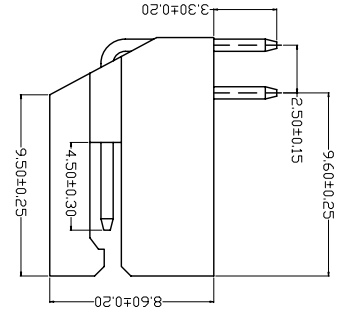
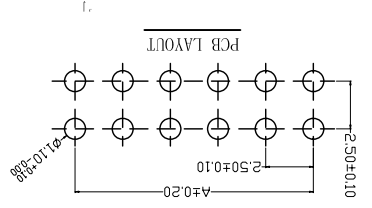
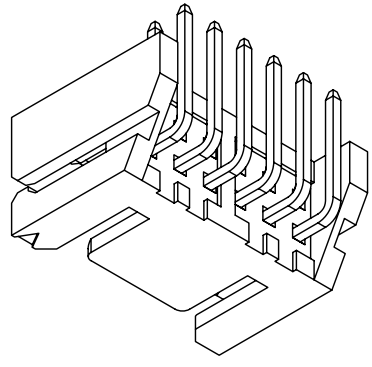
For and on behalf of  
**KXB INDUSTRIAL PRECISION CO., LIMITED**  
 香港星坤工業精密有限公司

PART NO	Nylon 66 UL 94V-0	Material(Pin)	Brass	Finish(Pin)	Tin-Plated	Suitable XKB Terminal
X8826WR-2*XX-N0SN						X8826H

Poles	Dimensions(mm)	
	A	B
02	2.50	7.50
03	5.00	10.00
04	7.50	12.50
05	10.00	15.00
06	12.50	17.50
07	15.00	20.00
08	17.50	22.50
09	20.00	25.00
10	22.50	27.50
11	25.00	30.00

- ① Series No. X8826 W R X - 2\*XX- N0 SN-XX
- ② Category: W-WAFER
- ③ Welding Board Angle: R-Right Angle 90°
- ④ Welding Way: Blank-DIP;
- ⑤ Row No.-Pin No.: 2\*XX-Double Row
- ⑥ Material: N0 -PA66 94V-0
- ⑦ Plating Category: SN-Bright Tin Plating
- ⑧ Color: Blank-Natural Color

- Specifications:
- Voltage rating: 250V AC / DC
  - Current rating: 3A AC / DC
  - Withstanding voltage: 1000V AC/minute
  - Temperature range: -25°C~+85°C
  - Insulation resistance: ≥1000MΩ
  - Contact resistance: ≤10mΩ
  - After environmental testing: ≤20mΩ



## X-ON Electronics

Largest Supplier of Electrical and Electronic Components

*Click to view similar products for [Headers & Wire Housings](#) category:*

*Click to view products by [XKB](#) manufacturer:*

Other Similar products are found below :

[95000-104TRLF](#) [10135584-644402LF](#) [DF62W-EP2022PCA](#) [95000-106TRLF](#) [DF62W-2022SCA](#) [DF62W-EP2022PC](#) [2203348](#) [DF62W-2022SC](#) [1084018](#) [1029039](#) [1084017](#) [802-10-012-10-002000](#) [1112640](#) [1112639](#) [891-007-9SS-BST1T](#) [000-34000](#) [0008550134](#) [0009482033](#) [0009507031](#) [57102-F02-18ULF](#) [57102-S06-03LF](#) [57202-S52-04LF](#) [PCN6-15S-2.5E](#) [0039019024](#) [58102-G61-06LF](#) [582553-1](#) [0009485154](#) [0009508121](#) [0022285053](#) [0050291907](#) [018731A](#) [LY20-4P-DT1-P1E-BR](#) [02.125.8002.8](#) [60101931](#) [60598-1 \(Cut Strip\)](#) [M1625-3R/100](#) [61062-3](#) [61082-181009](#) [CSU011177004](#) [636-1427](#) [638009-1](#) [641938-9](#) [641991-4](#) [644168-1](#) [644827-2](#) [647662-1](#) [65039-019ELF](#) [65692-001LF](#) [65781-018](#) [65781-047](#)