

REVISIONS		UNSPECIFIED TOLERANCES		APPROVED		REVISED		DATE		DESCRIPTION		MARK	
X		L > 63		±0.5								△	
X		16 < L ≤ 63		±0.4								△	
X		4 < L ≤ 16		±0.3								△	
X		L ≤ 4		±0.2								△	
		ANGULAR		±5°									

For and on behalf of
KXB INDUSTRIAL PRECISION CO., LIMITED
香港星坤工業精密有限公司

DATE	SCALE: N/A	MODEL TYPE:	X8826WR-2*XX-N0SN
DATE	VIEW:	PART NO.:	2.50mm Crimp style Connector
DATE	UNIT: mm	DWG NO.:	
DATE	SIZE: A4	WEIGHT	1.0g
DATE		SHEET	1/1
DATE		REVISION	A0

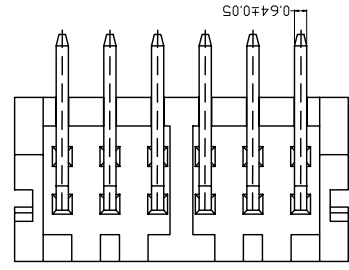
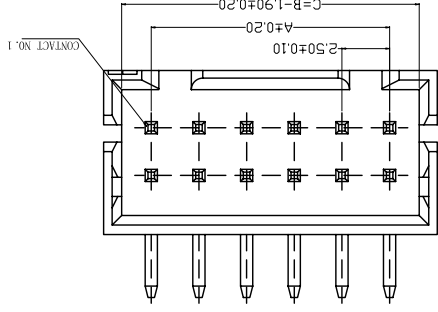
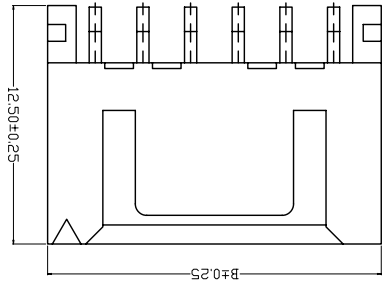
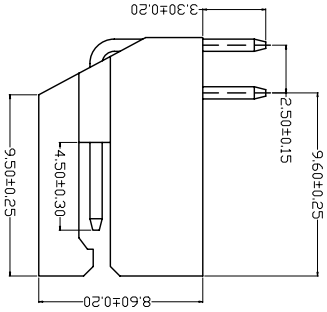
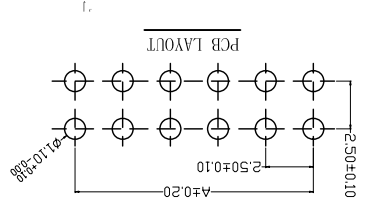
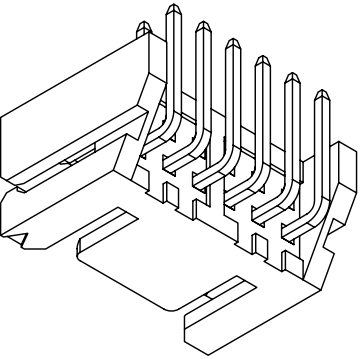
KXB INDUSTRIAL PRECISION CO., LIMITED

PART NO	Nylon 66 UL 94V-0	Material(Pin)	Brass	Finish(Pin)	Tin-Plated	Suitable XKB Terminal	X8826H
Material		Material(Pin)		Finish(Pin)			

Poles	Dimensions(mm)	
	A	B
02	2.50	7.50
03	5.00	10.00
04	7.50	12.50
05	10.00	15.00
06	12.50	17.50
07	15.00	20.00
08	17.50	22.50
09	20.00	25.00
10	22.50	27.50
11	25.00	30.00

- ① Series No. X8826 W R X-2*XX-N0 SN-XX
- ② Category: W-WAFER
- ③ Welding Board Angle: R-Right Angle 90°
- ④ Welding Way: Blank-DIP
- ⑤ Row No.-Pin No.: 2*XX-Double Row
- ⑥ Material: N0 -PA66 94V-0
- ⑦ Plating Category: SN-Bright Tin Plating
- ⑧ Color: Blank-Natural Color

- Specifications:**
- Voltage rating: 250V AC / DC
 - Current rating: 3A AC / DC
 - Withstanding voltage: 1000V AC/minute
 - Temperature range: -25°C~+85°C
 - Insulation resistance: ≥1000MΩ
 - Contact resistance: ≤10mΩ
 - After environmental testing: ≤20mΩ



X-ON Electronics

Largest Supplier of Electrical and Electronic Components

Click to view similar products for [Headers & Wire Housings](#) category:

Click to view products by [XKB](#) manufacturer:

Other Similar products are found below :

[95000-104TRLF](#) [10135584-644402LF](#) [DF62W-EP2022PCA](#) [95000-106TRLF](#) [DF62W-2022SCA](#) [DF62W-EP2022PC](#) [2203348](#) [DF62W-2022SC](#) [1084018](#) [1029039](#) [1084017](#) [802-10-012-10-002000](#) [1112640](#) [1112639](#) [891-007-9SS-BST1T](#) [000-34000](#) [0008550134](#) [0009482033](#) [0009507031](#) [57102-F02-18ULF](#) [57102-S06-03LF](#) [57202-S52-04LF](#) [PCN6-15S-2.5E](#) [0039019024](#) [58102-G61-06LF](#) [582553-1](#) [0009485154](#) [0009508121](#) [0022285053](#) [0050291907](#) [018731A](#) [LY20-4P-DT1-P1E-BR](#) [02.125.8002.8](#) [60101931](#) [60598-1 \(Cut Strip\)](#) [M1625-3R/100](#) [61062-3](#) [61082-181009](#) [CSU011177004](#) [636-1427](#) [638009-1](#) [641938-9](#) [641991-4](#) [644168-1](#) [644827-2](#) [647662-1](#) [65039-019ELF](#) [65692-001LF](#) [65781-018](#) [65781-047](#)