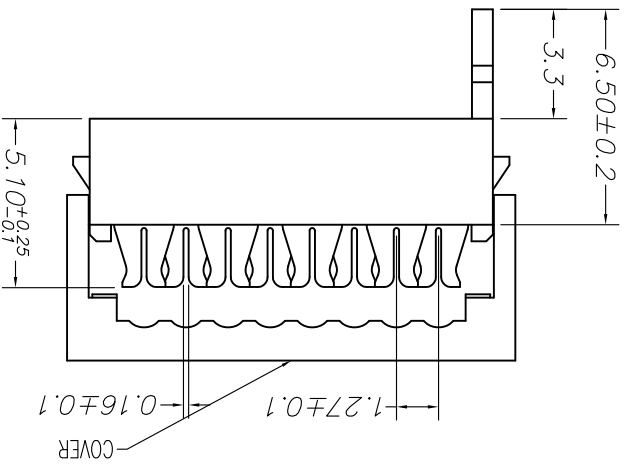
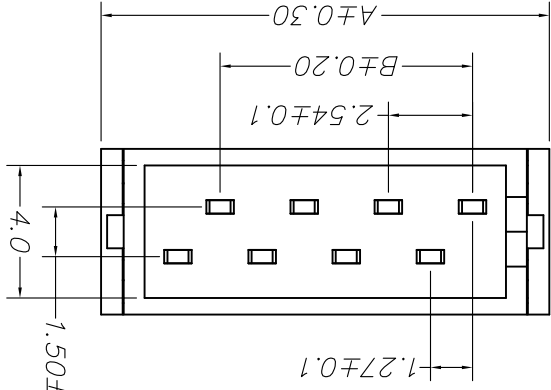
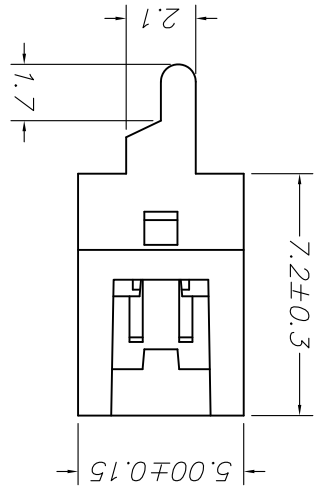
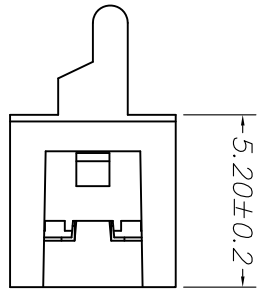
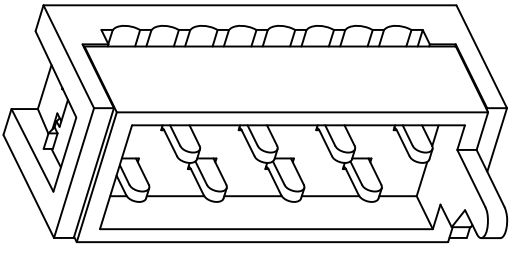


For and on behalf of
KKB INDUSTRIAL PRECISION CO., LIMITED
香港星坤工業精密有限公司

REVISIONS
Authorized Signature(s)

| MARK | DESCRIPTION | DATE | REVISED | APPROVED | UNSPECIFIED TOLERANCES |
|------|-------------|------|---------|----------|------------------------|
| △ X | | | | | L > 63 ± 0.5 |
| △ X | | | | | 16 < L ≤ 63 ± 0.4 |
| △ X | | | | | 4 < L ≤ 16 ± 0.3 |
| | | | | | L ≤ 4 ± 0.2 |
| | | | | | ANGULAR ± 5° |

| DSND | DATE | SCALE: N/A | MODEL TYPE: X9127HI-XX-PTXXX |
|------|--|------------|------------------------------|
| DWN | DATE <td>VIEW: </td> <td>PART NO.:</td> | VIEW: | PART NO.: |
| CHKD | DATE <td>UNIT: mm</td> <td>DWG NO.:</td> | UNIT: mm | DWG NO.: |
| APPD | DATE <td>SIZE: A4</td> <td>REVISION</td> | SIZE: A4 | REVISION |
| | | | WEIGHT 1.0g |
| | | | SHEET 1/1 |
| | | | A0 |



- Specifications :**
- Voltage rating: 500V AC / DC
 - Current rating: 1A AC / DC
 - Withstanding voltage: 1000V AC/minute
 - Temperature range: -40°C~+105°C
 - Insulation resistance: ≥1000MΩ
 - Contact resistance: ≤20mΩ
 - After environmental testing: ≤30mΩ
- ① Series No. X9127 H I -XX X-PT XX
- ② Category: H-HSG
- ③ Appearance type: I-HSG+hardware
- ④ Row No.-Pin No.: XX-Single Row
- ⑤ Plug the Pin & Special No.:
- ⑥ Material : PT-PBT 94V-0
- ⑦ Color: RD-Purplish Red Color
- RE-Red Color

| Poles | Dimensions (mm) | | Dimensions (mm) | | | | | | | | | | | |
|-------|-----------------|----------|-----------------|-------|-------|-------|-------|-------|-------|-------|-------|-------|-------|-------|
| | A | B | 04 | 06 | 08 | 10 | 12 | 14 | 16 | 18 | 20 | 22 | 24 | 26 |
| A | 8.45 | 2.54 | 16 | 10.99 | 13.53 | 16.07 | 18.61 | 21.15 | 23.69 | 26.23 | 28.77 | 31.31 | 33.85 | 36.39 |
| B | 4.0 | 1.50±0.1 | 17.78 | 20.32 | 22.86 | 25.40 | 27.94 | 30.48 | | | | | | |

| PART NO | Color | Material | Material(Fin) | Finish(Fin) |
|-----------------|--------------|--------------|---------------|-------------|
| X9127HI-XX-PTRE | Red | PBT UL 94V-0 | Brass | Tin-Plated |
| X9127HI-XX-PTRD | Purplish red | PBT UL 94V-0 | Brass | Tin-Plated |

X-ON Electronics

Largest Supplier of Electrical and Electronic Components

Click to view similar products for [Headers & Wire Housings](#) category:

Click to view products by [XKB](#) manufacturer:

Other Similar products are found below :

[95000-104TRLF](#) [10135584-644402LF](#) [DF62W-EP2022PCA](#) [95000-106TRLF](#) [DF62W-2022SCA](#) [DF62W-EP2022PC](#) [2203348](#) [DF62W-2022SC](#) [1084018](#) [1029039](#) [1084017](#) [802-10-012-10-002000](#) [1112640](#) [1112639](#) [891-007-9SS-BST1T](#) [000-34000](#) [0008550134](#) [0009482033](#) [0009507031](#) [57102-F02-18ULF](#) [57102-S06-03LF](#) [57202-S52-04LF](#) [PCN6-15S-2.5E](#) [0039019024](#) [58102-G61-06LF](#) [582553-1](#) [0009485154](#) [0009508121](#) [0022285053](#) [0050291907](#) [018731A](#) [LY20-4P-DT1-P1E-BR](#) [02.125.8002.8](#) [60101931](#) [60598-1 \(Cut Strip\)](#) [M1625-3R/100](#) [61062-3](#) [61082-181009](#) [CSU011177004](#) [636-1427](#) [638009-1](#) [641938-9](#) [641991-4](#) [644168-1](#) [644827-2](#) [647662-1](#) [65039-019ELF](#) [65692-001LF](#) [65781-018](#) [65781-047](#)