

For and on behalf of
KXB INDUSTRIAL PRECISION CO., LIMITED
 香港星坤工業精密有限公司

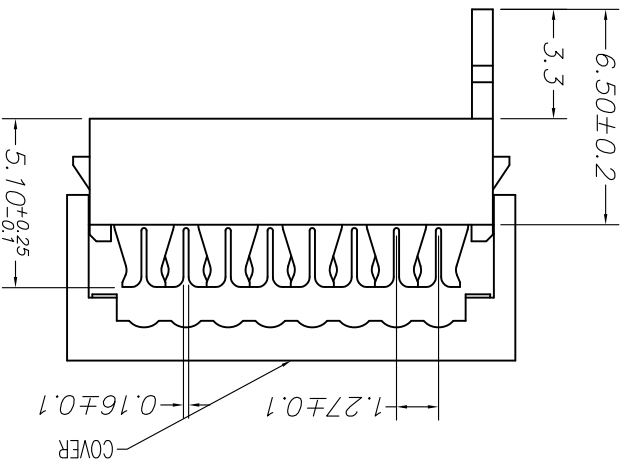
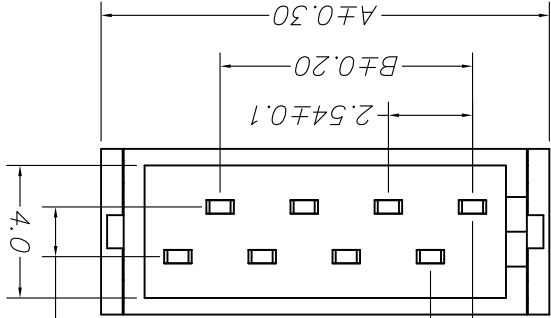
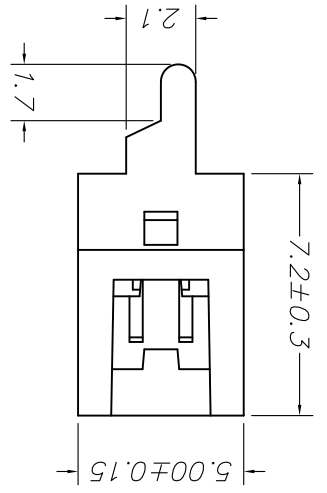
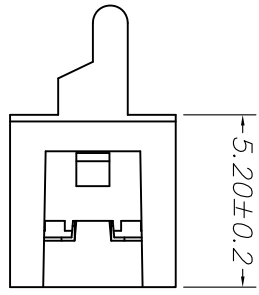
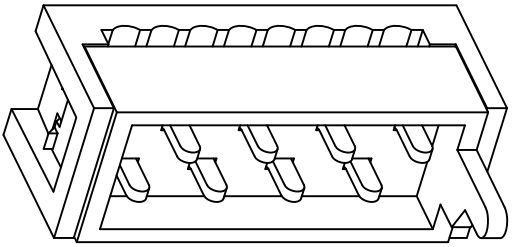
REVISIONS
 Authorized Signature(s)

MARK	DESCRIPTION	DATE	REVISED	APPROVED	UNSPECIFIED TOLERANCES
△ X					L > 63 ± 0.5
△ X					16 < L ≤ 63 ± 0.4
△ X					4 < L ≤ 16 ± 0.3
					L ≤ 4 ± 0.2
					ANGULAR ± 5°

REVISION	SHEET	WEIGHT	SIZE	DATE	DATE	DATE	DATE
A0	1/1	1.0g	A4				

KXB INDUSTRIAL PRECISION CO., LIMITED

DSND	SCALE: N/A	MODEL TYPE: X9127HI-XX-PTXXX
DWN	VIEW:	PART NO.:
CHKD	UNIT: mm	DWG NO.:
APPD	SIZE: A4	1.27 mm Crimp Style Connector



PART NO	Color	Material	Material(Fin)	Finish(Fin)
X9127HI-XX-PTRD	Purplish red	PBT UL 94V-0	Brass	Tin-Plated
X9127HI-XX-PTRE	Red	PBT UL 94V-0	Brass	Tin-Plated

Poles	Dimensions (mm)		Poles	Dimensions (mm)	
	A	B		A	B
04	8.45	2.54	16	23.69	17.78
06	10.99	5.08	18	26.23	20.32
08	13.53	7.62	20	28.77	22.86
10	16.07	10.16	22	31.31	25.40
12	18.61	12.70	24	33.85	27.94
14	21.15	15.24	26	36.39	30.48

- ① Series No.
- ② Category: H-HSG
- ③ Appearance type: I-HSG+hardware
- ④ Row No.-Pin No.: XX-Single Row
- ⑤ Plug the Pin & Special No.:
- ⑥ Material: PT-PBT 94V-0
- ⑦ Color: RD-Purplish Red Color
- RE-Red Color

X9127 H I -XX X-PT XX

- Specifications :
- Voltage rating: 500V AC / DC
 - Current rating: 1A AC / DC
 - Withstanding voltage: 1000V AC/minute
 - Temperature range: -40°C~+105°C
 - Insulation resistance: ≥1000MΩ
 - Contact resistance: ≤20mΩ
 - After environmental testing: ≤30mΩ

X-ON Electronics

Largest Supplier of Electrical and Electronic Components

Click to view similar products for [Headers & Wire Housings](#) category:

Click to view products by [XKB](#) manufacturer:

Other Similar products are found below :

[95000-104TRLF](#) [10135584-644402LF](#) [DF62W-EP2022PCA](#) [95000-106TRLF](#) [DF62W-2022SCA](#) [DF62W-EP2022PC](#) [2203348](#) [DF62W-2022SC](#) [1084018](#) [1029039](#) [1084017](#) [802-10-012-10-002000](#) [1112640](#) [1112639](#) [891-007-9SS-BST1T](#) [000-34000](#) [0008550134](#) [0009482033](#) [0009507031](#) [57102-F02-18ULF](#) [57102-S06-03LF](#) [57202-S52-04LF](#) [PCN6-15S-2.5E](#) [0039019024](#) [58102-G61-06LF](#) [582553-1](#) [0009485154](#) [0009508121](#) [0022285053](#) [0050291907](#) [018731A](#) [LY20-4P-DT1-P1E-BR](#) [02.125.8002.8](#) [60101931](#) [60598-1 \(Cut Strip\)](#) [M1625-3R/100](#) [61062-3](#) [61082-181009](#) [CSU011177004](#) [636-1427](#) [638009-1](#) [641938-9](#) [641991-4](#) [644168-1](#) [644827-2](#) [647662-1](#) [65039-019ELF](#) [65692-001LF](#) [65781-018](#) [65781-047](#)