

For and on behalf of
KKB INDUSTRIAL PRECISION CO., LIMITED
香港星坤工業精密有限公司

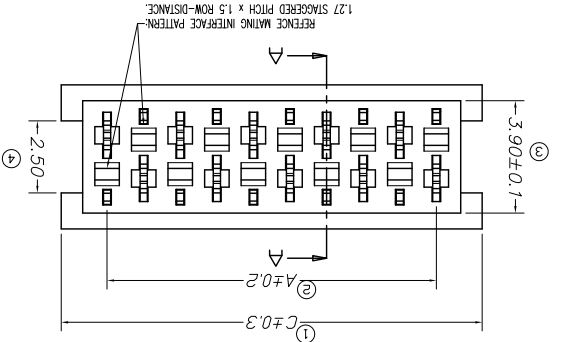
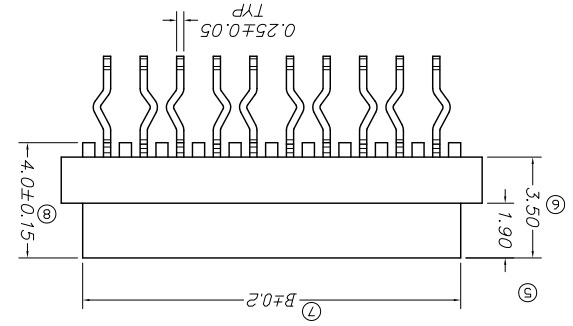
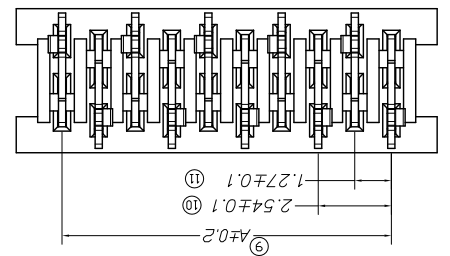
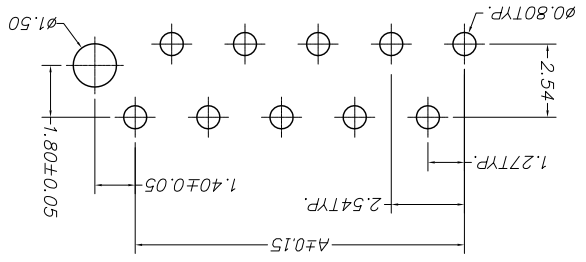
REVISIONS
(Unauthorized Signatures)

MARK	DESCRIPTION	DATE	REVISED	APPROVED	UNSPECIFIED TOLERANCES	
					L > 63	± 0.5
△ X					16 < L ≤ 63	± 0.4
△ X					4 < L ≤ 16	± 0.3
△ X					L ≤ 4	± 0.2
					ANGULAR	± 5°

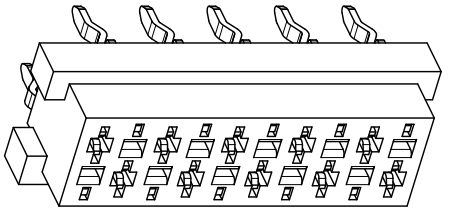
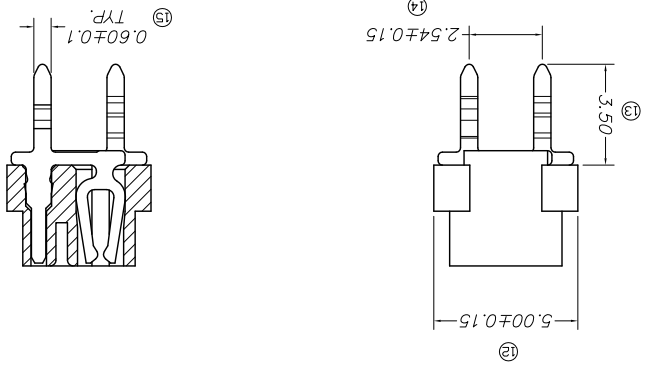
DSND	DATE	SCALE: N/A	MODEL TYPE: X9127WV-XXA1-9T-SNXX
DWN	DATE	VIEW:	PART NO.:
CHKD	DATE	UNIT: mm	DWG NO.:
APPD	DATE	SIZE: A4	

WEIGHT	1.0g	SHEET	1/1	REVISION	A0
--------	------	-------	-----	----------	----

Recommended P.C. Board Layout



SECTION A-A



Poles	A			B			C		
	Dimensions(mm)			Dimensions(mm)			Dimensions(mm)		
04	3.81	5.50	6.99	3.81	5.50	6.99	3.81	5.50	6.99
06	6.35	8.04	9.53	6.35	8.04	9.53	6.35	8.04	9.53
08	8.89	10.58	12.07	8.89	10.58	12.07	8.89	10.58	12.07
10	11.43	13.12	14.61	11.43	13.12	14.61	11.43	13.12	14.61
12	13.97	15.66	17.15	13.97	15.66	17.15	13.97	15.66	17.15
14	16.51	18.20	19.69	16.51	18.20	19.69	16.51	18.20	19.69
Poles	A			B			C		
	Dimensions(mm)			Dimensions(mm)			Dimensions(mm)		
04	20.74	22.23	23.72	20.74	22.23	23.72	20.74	22.23	23.72
06	21.59	23.28	24.77	21.59	23.28	24.77	21.59	23.28	24.77
08	24.13	25.82	27.31	24.13	25.82	27.31	24.13	25.82	27.31
10	26.67	28.36	29.85	26.67	28.36	29.85	26.67	28.36	29.85
12	29.21	30.90	32.39	29.21	30.90	32.39	29.21	30.90	32.39
14	31.75	33.44	34.93	31.75	33.44	34.93	31.75	33.44	34.93

PART NO	Color	Material	Material(Pin)	Finish(Pin)
X9127WV-XXA1-9T-SNRD	Purplish red	PA9T UL 94V-0	Brass	Tin-Plated
X9127WV-XXA1-9T-SNRE	Red	PA9T UL 94V-0	Brass	Tin-Plated

Specifications :

- Voltage rating: 500V AC / DC
- Current rating: 1A AC / DC
- Withstanding voltage: 1000V AC/minute
- Temperature range: -40°C~+105°C
- Insulation resistance: ≥1000MΩ
- Contact resistance: ≤20mΩ
- After environmental testing: ≤30mΩ

X9127 W V X-XX A1-9T SN XX

- Series No.
- Category: W-water
- Welding Board Angle: V- Straight 180°
- Welding Way: Blank-DIP
- Row No.-Pin No.: XX-04P~26P
- Plug the Pin & Special No.: A1-Single Deficiency
- Material: 9T-Nylon 9T 94V-0
- Planting Category: SN-Bright tin plating
- Color: RE-Red RD-purplish red

X-ON Electronics

Largest Supplier of Electrical and Electronic Components

Click to view similar products for [Headers & Wire Housings](#) category:

Click to view products by [XKB](#) manufacturer:

Other Similar products are found below :

[95000-104TRLF](#) [10135584-644402LF](#) [DF62W-EP2022PCA](#) [95000-106TRLF](#) [DF62W-2022SCA](#) [DF62W-EP2022PC](#) [2203348](#) [DF62W-2022SC](#) [1084018](#) [1029039](#) [1084017](#) [802-10-012-10-002000](#) [1112640](#) [1112639](#) [891-007-9SS-BST1T](#) [000-34000](#) [0008550134](#) [0009482033](#) [0009507031](#) [57102-F02-18ULF](#) [57102-S06-03LF](#) [57202-S52-04LF](#) [PCN6-15S-2.5E](#) [0039019024](#) [58102-G61-06LF](#) [582553-1](#) [0009485154](#) [0009508121](#) [0022285053](#) [0050291907](#) [018731A](#) [LY20-4P-DT1-P1E-BR](#) [02.125.8002.8](#) [60101931](#) [60598-1 \(Cut Strip\)](#) [M1625-3R/100](#) [61062-3](#) [61082-181009](#) [CSU011177004](#) [636-1427](#) [638009-1](#) [641938-9](#) [641991-4](#) [644168-1](#) [644827-2](#) [647662-1](#) [65039-019ELF](#) [65692-001LF](#) [65781-018](#) [65781-047](#)