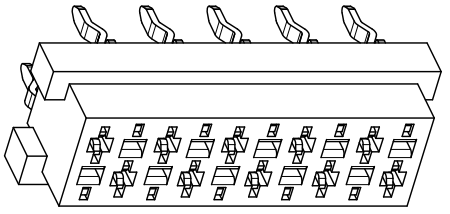
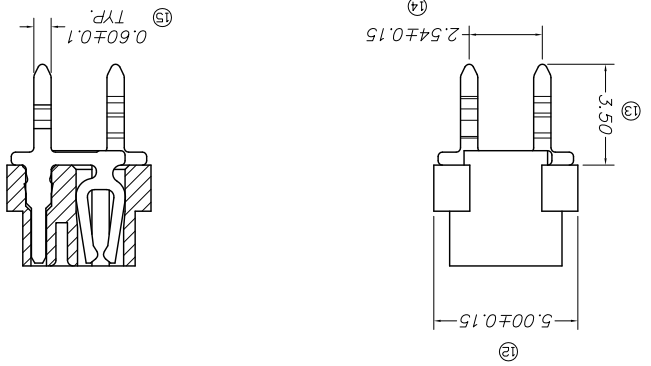
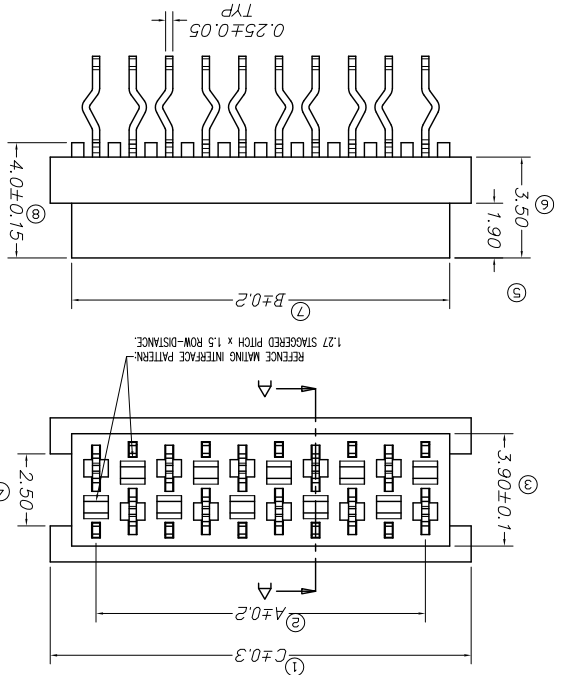
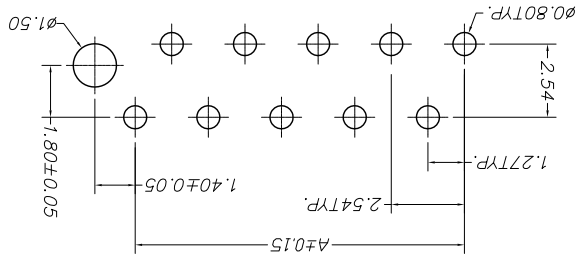
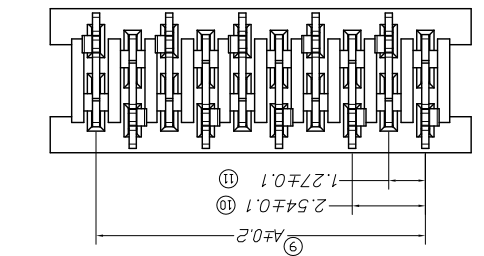


For and on behalf of
KKB INDUSTRIAL PRECISION CO., LIMITED
 香港星坤工業精密有限公司

REVISIONS
 Authorized Signature(s)

MARK	DESCRIPTION	DATE	REVISED	APPROVED	UNSPECIFIED TOLERANCES
△ X					L > 63 ± 0.5
△ X					16 < L ≤ 63 ± 0.4
△ X					4 < L ≤ 16 ± 0.3
					L ≤ 4 ± 0.2
					ANGULAR ± 5°

DSND	DATE	SCALE: N/A	MODEL TYPE: X9127WV-XXA1-9T-SNXX
DWN	DATE <td>VIEW: </td> <td>PART NO.:</td>	VIEW:	PART NO.:
CHKD	DATE <td>UNIT: mm</td> <td>DWG NO.:</td>	UNIT: mm	DWG NO.:
APPD	DATE <td>SIZE: A4</td> <td></td>	SIZE: A4	
		WEIGHT: 1.0g	REVISION: A0
		SHEET: 1/1	



Poles	A			B			C			
	Dimensions(mm)			Dimensions(mm)			Dimensions(mm)			
04	3.81	5.50	6.99	3.81	5.50	6.99	16	19.05	20.74	22.23
06	6.35	8.04	9.53	18	21.59	23.28	18	21.59	23.28	24.77
08	8.89	10.58	12.07	20	24.13	25.82	20	24.13	25.82	27.31
10	11.43	13.12	14.61	22	26.67	28.36	22	26.67	28.36	29.85
12	13.97	15.66	17.15	24	29.21	30.90	24	29.21	30.90	32.39
14	16.51	18.20	19.69	26	31.75	33.44	26	31.75	33.44	34.93

PART NO	Color	Material		PART NO
		Material	Material(Fin)	
X9127WV-XXA1-9T-SNRD	Purplish red	PA9T UL 94V-0	Brass	X9127WV-XXA1-9T-SNRE
X9127WV-XXA1-9T-SNRE	Red	PA9T UL 94V-0	Brass	X9127WV-XXA1-9T-SNXX

Recommended P.C. Board Layout

SECTION A-A

① Series No.

② Category: W-water

③ Welding Board Angle: V- Straight 180°

④ Welding Way: Blank-DIP

⑤ Row No.-Pin No.: XX-04P~26P

⑥ Plug the Pin & Special No.: A1-Single Deficiency

⑦ Material: 9T-Nylon 9T 94V-0

⑧ Planting Category: SN-Bright tin plating

⑨ Color: RE-Red RD-purplish red

X9127 W V X-XX A1-9T SN XX
 ① ② ③ ④ ⑤ ⑥ ⑦ ⑧ ⑨

- Specifications :
- Voltage rating: 500V AC / DC
 - Current rating: 1A AC / DC
 - Withstanding voltage: 1000V AC/minute
 - Temperature range: -40°C~+105°C
 - Insulation resistance: ≥1000MΩ
 - Contact resistance: ≤20mΩ
 - After environmental testing: ≤30mΩ

X-ON Electronics

Largest Supplier of Electrical and Electronic Components

Click to view similar products for [Headers & Wire Housings](#) category:

Click to view products by [XKB](#) manufacturer:

Other Similar products are found below :

[95000-104TRLF](#) [10135584-644402LF](#) [DF62W-EP2022PCA](#) [95000-106TRLF](#) [DF62W-2022SCA](#) [DF62W-EP2022PC](#) [2203348](#) [DF62W-2022SC](#) [1084018](#) [1029039](#) [1084017](#) [802-10-012-10-002000](#) [1112640](#) [1112639](#) [891-007-9SS-BST1T](#) [000-34000](#) [0008550134](#) [0009482033](#) [0009507031](#) [57102-F02-18ULF](#) [57102-S06-03LF](#) [57202-S52-04LF](#) [PCN6-15S-2.5E](#) [0039019024](#) [58102-G61-06LF](#) [582553-1](#) [0009485154](#) [0009508121](#) [0022285053](#) [0050291907](#) [018731A](#) [LY20-4P-DT1-P1E-BR](#) [02.125.8002.8](#) [60101931](#) [60598-1 \(Cut Strip\)](#) [M1625-3R/100](#) [61062-3](#) [61082-181009](#) [CSU011177004](#) [636-1427](#) [638009-1](#) [641938-9](#) [641991-4](#) [644168-1](#) [644827-2](#) [647662-1](#) [65039-019ELF](#) [65692-001LF](#) [65781-018](#) [65781-047](#)