

Specifications :

- Voltage rating: 600V AC / DC
- Current rating: 9A AC / DC
- Withstanding voltage: 1500V AC/minute
- Temperature range: -25°C~+85°C
- Insulation resistance: ≥1000MΩ
- Contact resistance: ≤10mΩ
- After environmental testing: ≤20mΩ

X9357 H M-XX XX-XX XX

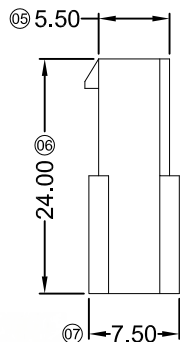
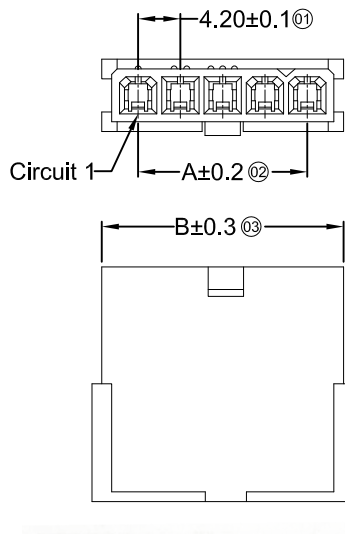
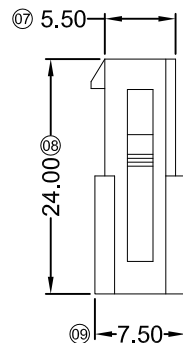
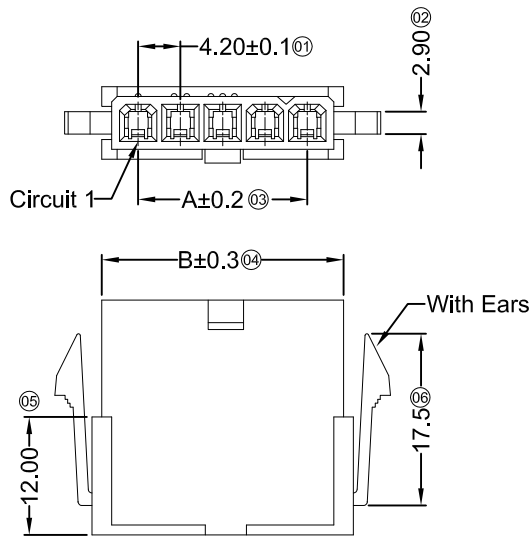
- ① Series No.
- ② Category: H-HSG
- ③ Welding Board Angle: M-Male housing
- ④ Row No.-Pin No.: XX-02P~16P
- ⑤ Plug the Pin & special No.:
- ⑥ Material: N0-PA66 94V-0; N2-PA66 94V-2
- ⑦ Color : Blank-Natural Color

Poles	Dimensions(mm)		
	A	B	C
02	4.20	9.50	7.50
03	8.40	13.50	11.60
04	12.60	17.70	15.80
05	16.80	22.00	20.20
06	21.00	26.10	24.10

X9357HM-XX-N2	Nylon 66 94V-2	X9357TF	X9357W Or 9357H
X9357HM-XX-N0	Nylon 66 94V-0		
PART NO	Material	Suitable XKB Terminal	Suitable XKB Terminal

For and on behalf of
XKB INDUSTRIAL PRECISION CO., LIMITED
 香港星坤工業精密有限公司

MARK	DESCRIPTION	DATE	REVISED	APPROVED	UNSPECIFIED TOLERANCES	DSND	DATE	SCALE: N/A	MODEL TYPE: X9357HM-XX-XX		
△ X					ANGULAR ±5°	DWN	DATE	VIEW:	PART NO.:		
△ X					L ≤ 4 ±0.2	CHKD	DATE	UNIT: mm	4.20 mm Crimp Style Connectors		
△ X					4 < L ≤ 16 ±0.3	APPD	DATE	SIZE: A4	DWG NO.:		
△ X					16 < L ≤ 63 ±0.4						
△ X					L > 63 ±0.5						
REVISIONS						XKB INDUSTRIAL PRECISION CO., LIMITED			WEIGHT	SHEET	REVISION
Authorized Signature(s)									1.0g	1/1	A0



Specifications :

- Voltage rating: 600V AC / DC
- Current rating: 9A AC / DC
- Withstanding voltage: 1500V AC/minute
- Temperature range: -25°C~+85°C
- Insulation resistance: ≥1000MΩ
- Contact resistance: ≤10mΩ
- After environmental testing: ≤20mΩ

X9357 H F-XX X-XX XX

① ② ③ ④ ⑤ ⑥ ⑦

- ① Series No.
- ② Category: H-HSG
- ③ Welding Board Angle: F-Female
- ④ Row No.-Pin No.: XX-02P~12P
- ⑤ Plug the Pin & special No.:
I-Without the Wing; G-With the Wing
- ⑥ Material: N0-PA66 94V-0; N2-PA66 94V-2
- ⑦ Color : Blank-Natural Color

Poles	Dimensions(mm)		Poles	Dimensions(mm)	
	A	B		A	B
02	4.20	9.80	08	29.40	35.00
03	8.40	14.00	09	33.60	39.20
04	12.60	18.20	10	37.80	43.40
05	16.80	22.40	11	42.00	47.60
06	21.00	26.60	12	46.20	51.80
07	25.20	30.80			

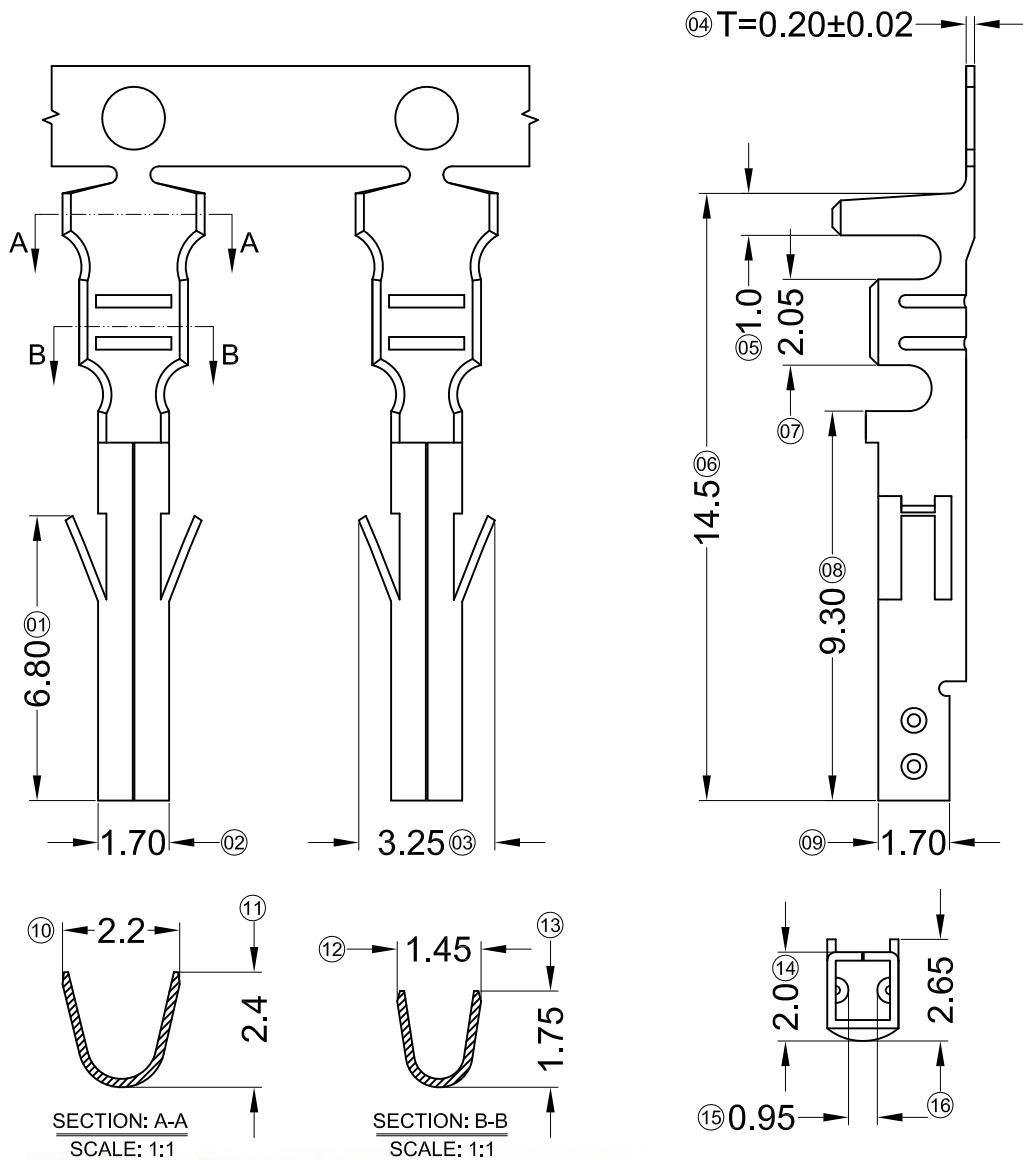
X9357HF-XXG-N2	Nylon 66 94V-2	X9357TM	X9357W Or 9357H	With Ears
X9357HF-XXL-N2	Nylon 66 94V-2			Without Ears
X9357HF-XXG-N0	Nylon 66 94V-0			With Ears
X9357HF-XXL-N0	Nylon 66 94V-0			Without Ears
PART NO	Material	Suitable XKB Terminal	Suitable XKB Terminal	Note

For and on behalf of
XKB INDUSTRIAL PRECISION CO., LIMITED
 香港星坤工業精密有限公司

MARK	DESCRIPTION	DATE	REVISED	APPROVED	UNSPECIFIED TOLERANCES
△ X					ANGULAR ±5°
△ X					L ≤ 4 ±0.2
△ X					4 < L ≤ 16 ±0.3
△ X					16 < L ≤ 63 ±0.4
MARK					L > 63 ±0.5

REVISIONS
 Authorized Signature(s)

DSND	DATE	SCALE: N/A	MODEL TYPE: X9357HF-XXX-XX
DWN	DATE	VIEW:	PART NO.:
CHKD	DATE	UNIT: mm	4.20 mm Crimp Style Connectors
APPD	DATE	SIZE: A4	DWG NO.:
XKB INDUSTRIAL PRECISION CO., LIMITED			WEIGHT 1.0g
			SHEET 1/1
			REVISION A0



Specifications :

- Voltage rating: 600V AC / DC
- Current rating: 9A AC / DC
- Withstanding voltage: 1500V AC/minute
- Temperature range: $-25^{\circ}\text{C}\sim+85^{\circ}\text{C}$
- Insulation resistance: $\geq 1000\text{M}\Omega$
- Contact resistance: $\leq 10\text{m}\Omega$
- After environmental testing: $\leq 20\text{m}\Omega$

X9357 T F-X SN X-M

① ② ③ ④ ⑤ ⑥ ⑦

- ① Series Number
- ② Category: T-terminal
- ③ Shape: F-Female
- ④ Material: B-Brass; P-Phosphor Bronze
- ⑤ Plating style: SN-Bright tin plating
- ⑥ Plating method:
Blank-Stamping before plating;
- ⑦ Special No: M-Low Leads

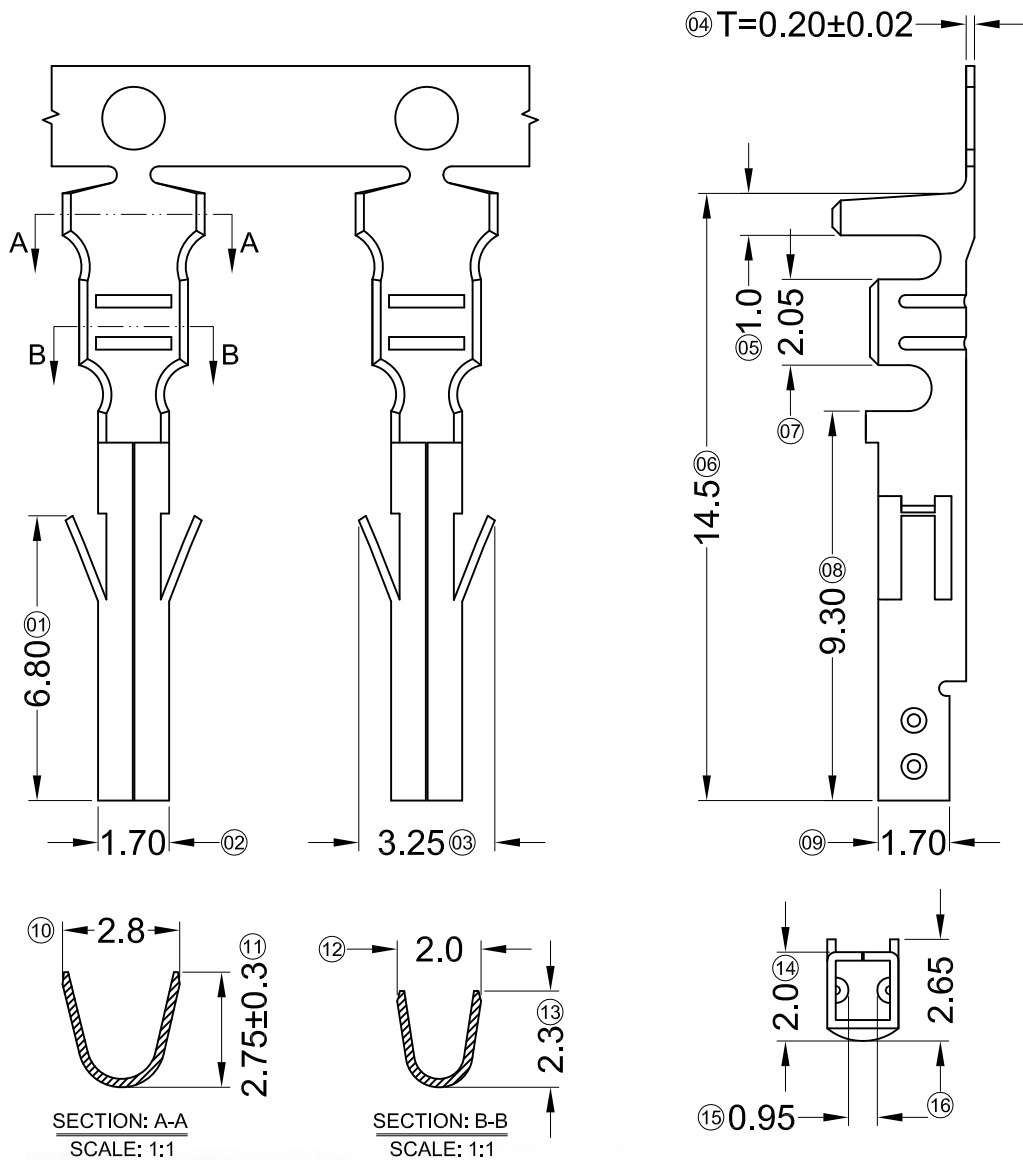
X9357TF-PSN-M	Phosphor Bronze	AWG#24-28	1,90mm(Max)	Stamping Before Plating :30u" MIN, Ni:70u"Sn MIN.	X9357HM
X9357TF-BSN-M	Brass				
PART NO	Material	Wire Range	Insulation O.D.	Finish	Suitable XKB

For and on behalf of
XKB INDUSTRIAL PRECISION CO., LIMITED
 香港星坤工業精密有限公司

△ X					ANGULAR	$\pm 5^{\circ}$
△ X					$L \leq 4$	± 0.2
△ X					$4 < L \leq 16$	± 0.3
△ X					$16 < L \leq 63$	± 0.4
MARK	DESCRIPTION	DATE	REVISED	APPROVED	$L > 63$	± 0.5
REVISIONS						UNSPECIFIED TOLERANCES

DSND		DATE		SCALE: N/A	MODEL TYPE: X9357TF-XSN-M	
DWN		DATE		VIEW:	PART NO.:	
CHKD		DATE		UNIT: mm	4.20 mm Crimp Style Connectors	
APPD		DATE		SIZE: A4	DWG NO.:	
				WEIGHT	SHEET	REVISION
				1.0g	1/1	A0

XKB INDUSTRIAL PRECISION CO., LIMITED



- Specifications :**
- Voltage rating: 600V AC / DC
 - Current rating: 9A AC / DC
 - Withstanding voltage: 1500V AC/minute
 - Temperature range: -25°C~+85°C
 - Insulation resistance: ≥1000MΩ
 - Contact resistance: ≤10mΩ
 - After environmental testing: ≤20mΩ

X9357 T F-X SN X-L
 ① ② ③ ④ ⑤ ⑥ ⑦

- ① Series Number
- ② Category: T-terminal
- ③ Shape: F-Female
- ④ Material: B-Brass; P-Phosphor Bronze
- ⑤ Plating style: SN-Bright tin plating
- ⑥ Plating method: Blank-Stamping before plating;
- ⑦ Special No: L-Normal Leads

X9357TF-PSN-L	Phosphor Bronze	AWG#18-24	2.10mm(Max)	Stamping Before Plating :30u" MIN, Ni:70u"Sn MIN.	X9357HM
X9357TF-BSN-L	Brass				
PART NO	Material	Wire Range	Insulation O.D.	Finish	Suitable XKB

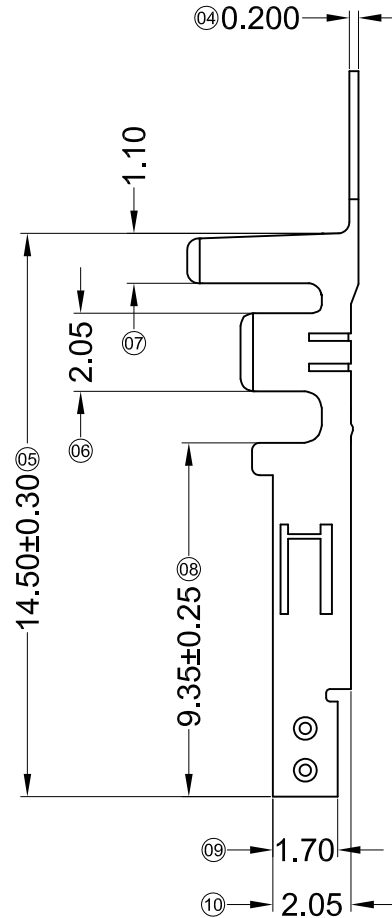
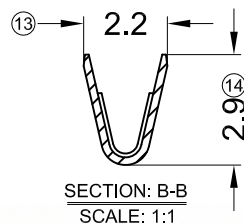
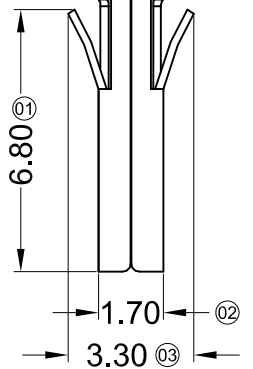
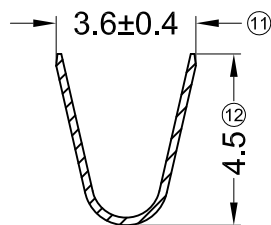
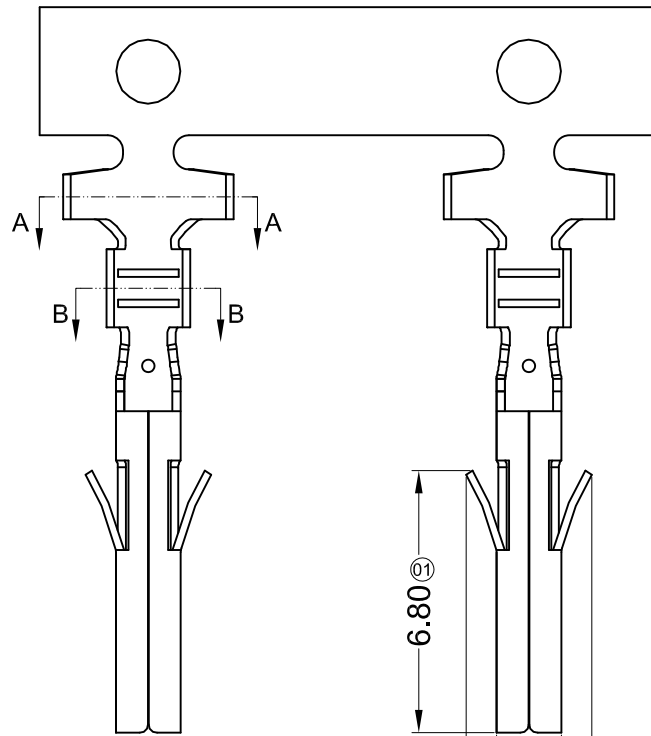
For and on behalf of
XKB INDUSTRIAL PRECISION CO., LIMITED
 香港星坤工業精密有限公司

△ X					ANGULAR	± 5°
△ X					L ≤ 4	± 0.2
△ X					4 < L ≤ 16	± 0.3
△ X					16 < L ≤ 63	± 0.4
MARK	DESCRIPTION	DATE	REVISED	APPROVED	L > 63	± 0.5
REVISIONS						UNSPECIFIED TOLERANCES

DSND		DATE		SCALE: N/A	MODEL TYPE: X9357TF-XSN-L	
DWN		DATE		VIEW:	PART NO.: 4.20 mm Crimp Style Connectors	
CHKD		DATE		UNIT: mm	DWG NO.:	
APPD		DATE		SIZE: A4		
				WEIGHT	SHEET	REVISION
				1.0g	1/1	A0

XKB INDUSTRIAL PRECISION CO., LIMITED

Authorized Signature(s)



■ Specifications :

- Voltage rating: 600V AC / DC
- Current rating: 9A AC / DC
- Withstanding voltage: 1500V AC/minute
- Temperature range: -25°C~+85°C
- Insulation resistance: ≥1000MΩ
- Contact resistance: ≤10mΩ
- After environmental testing: ≤20mΩ

X9357 T F-X SN X-H

① ② ③ ④ ⑤ ⑥ ⑦

- ① Series Number
- ② Category: T-terminal
- ③ Shape: F-Female
- ④ Material: B-Brass; P-Phosphor Bronze
- ⑤ Plating style: SN-Bright tin plating
- ⑥ Plating method:
Blank-Stamping before plating;
- ⑦ Special No: H-High Leads

X9357TF-PSN-H	Phosphor Bronze	AWG#16-24	3.10mm(Max)	Stamping Before Plating :30u" MIN. Ni;70u"Sn MIN.	X9357HM
X9357TF-BSN-H	Brass				
PART NO	Material	Wire Range	Insulation O.D.	Finish	Suitable XKB

For and on behalf of
XKB INDUSTRIAL PRECISION CO., LIMITED
 香港星坤工業精密有限公司

△ X
 △ X
 △ X
 MARK

DESCRIPTION

DATE

REVISED

APPROVED

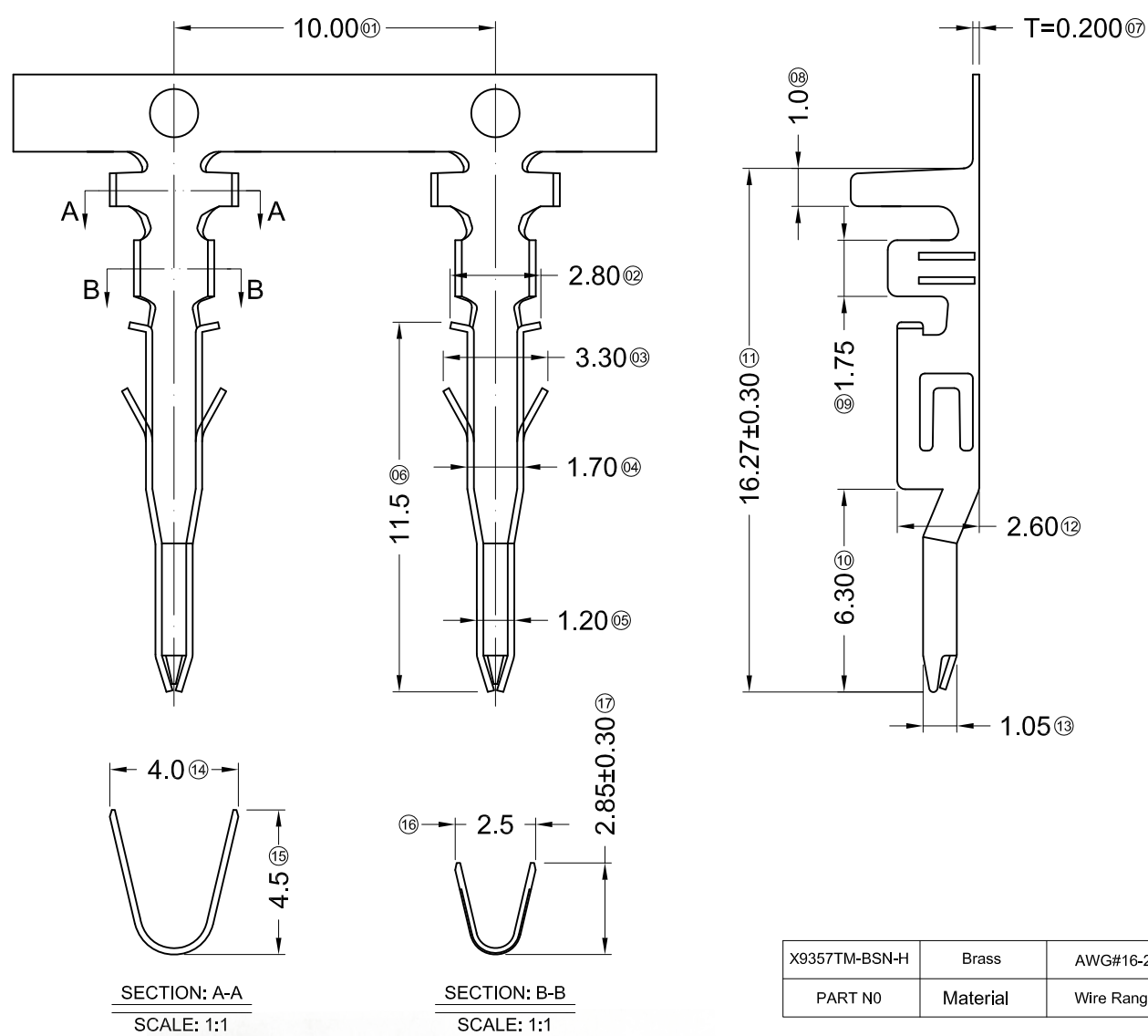
REVISIONS

Authorized Signature(s)

UNSPECIFIED TOLERANCES

ANGULAR ±5°
 L ≤ 4 ±0.2
 4 < L ≤ 16 ±0.3
 16 < L ≤ 63 ±0.4
 L > 63 ±0.5

DSND	DATE	SCALE: N/A	MODEL TYPE: X9357TF-XSN-H
DWN	DATE	VIEW:	PART NO.:
CHKD	DATE	UNIT: mm	4.20 mm Crimp Style Connectors
APPD	DATE	SIZE: A4	DWG NO.:
XKB INDUSTRIAL PRECISION CO., LIMITED			WEIGHT 1.0g
			SHEET 1/1
			REVISION A0



- Specifications :
- Voltage rating: 600V AC / DC
 - Current rating: 9A AC / DC
 - Withstanding voltage: 1500V AC/minute
 - Temperature range: -25°C~+85°C
 - Insulation resistance: ≥1000MΩ
 - Contact resistance: ≤10mΩ
 - After environmental testing: ≤20mΩ

X9357 T M-B SN X-H
 ① ② ③ ④ ⑤ ⑥ ⑦

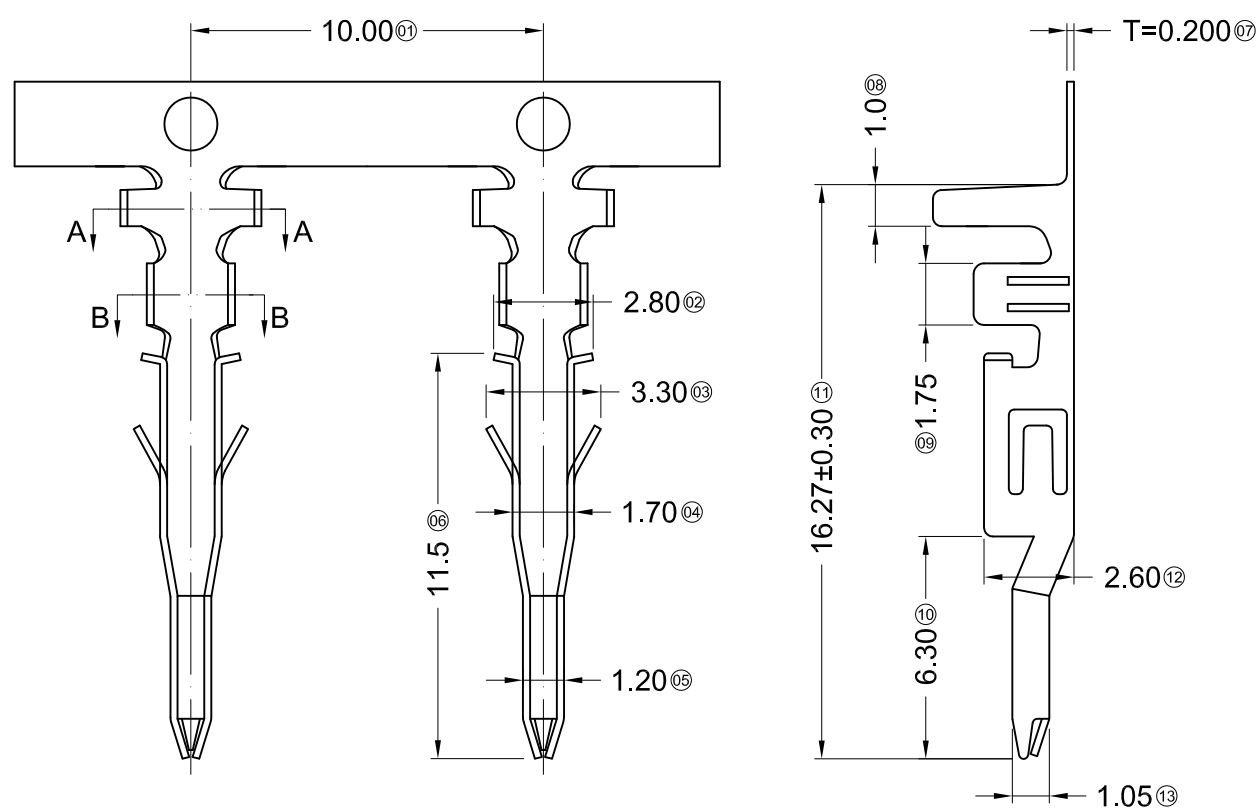
- ① Series No.
- ② Category: T-Terminal
- ③ Appearance type: M-Male Terminal
- ④ Material: B-Brass
- ⑤ Plating Style: SN-Bright Tin Plating
- ⑥ Plating Method :
Blank-Stamping before Plating
- ⑦ H-High Crimp

X9357TM-BSN-H	Brass	AWG#16-22	3.10mm(Max)	Stamping Before Plating:30u" Ni;70u"Sn	X9357HF
PART NO	Material	Wire Range	Insulation O.D.	Finish	Suitable XKB

For and on behalf of
XKB INDUSTRIAL PRECISION CO., LIMITED
 香港星坤工業精密有限公司

△ X					ANGULAR	±5°	DSND		DATE	SCALE: N/A	MODEL TYPE:		
△ X					L ≤ 4	±0.2	DWN		DATE	VIEW:	X9357TM-BSN-H		
△ X					4 < L ≤ 16	±0.3	CHKD		DATE	UNIT: mm	PART NO.:		
△ X					16 < L ≤ 63	±0.4	APPD		DATE	SIZE: A4	4.20 mm Crimp Style Connector		
MARK	DESCRIPTION	DATE	REVISED	APPROVED	L > 63	±0.5					DWG NO.:		
REVISIONS						UNSPECIFIED TOLERANCES	XKB INDUSTRIAL PRECISION CO., LIMITED				WEIGHT	SHEET	REVISION
											1.0g	1/1	A0

1 2 3 4 5 6 7 8



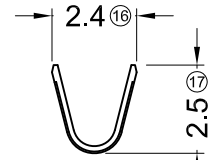
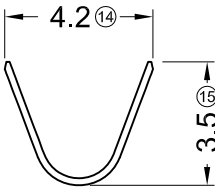
■ Specifications :

- Voltage rating: 600V AC / DC
- Current rating: 9A AC / DC
- Withstanding voltage: 1500V AC/minute
- Temperature range: -25°C~+85°C
- Insulation resistance: ≥1000MΩ
- Contact resistance: ≤10mΩ
- After environmental testing: ≤20mΩ

X9357 T M-X SN X-X

① ② ③ ④ ⑤ ⑥ ⑦

- ① Series No.
- ② Category: T-Terminal
- ③ Appearance type: M-Male Terminal
- ④ Material: B-Brass; P-Phosphor Bronze
- ⑤ Plating Style: SN-Bright Tin Plating
- ⑥ Plating Method :
Blank-Stamping before Plating
- ⑦ Mold N0/MARK&Special N0



X9357TM-PSN	Phosphor Bronze	AWG#18-22	3.00mm(Max)	Stamping Before Plating:30u" Ni;70u"Sn	X9357HF
X9357TM-BSN	Brass				
PART NO	Material	Wire Range	Insulation O.D.	Finish	Suitable XKB

For and on behalf of
XKB INDUSTRIAL PRECISION CO., LIMITED
 香港星坤工業精密有限公司

△ X					ANGULAR	± 5°	DSND		DATE	SCALE: N/A	MODEL TYPE:	X9357TM-XSN	
△ X					L ≤ 4	± 0.2	DWN		DATE	VIEW:	PART NO.:	4.20 mm Crimp Style Connectors	
△ X					4 < L ≤ 16	± 0.3	CHKD		DATE	UNIT: mm	DWG NO.:		
△ X					16 < L ≤ 63	± 0.4	APPD		DATE	SIZE: A4			
MARK	DESCRIPTION	DATE	REVISED	APPROVED	L > 63	± 0.5							
REVISIONS						UNSPECIFIED TOLERANCES	XKB INDUSTRIAL PRECISION CO., LIMITED				WEIGHT	SHEET	REVISION
											1.0g	1/1	A0

1 2 3 4 5 6 7 8

Specifications :

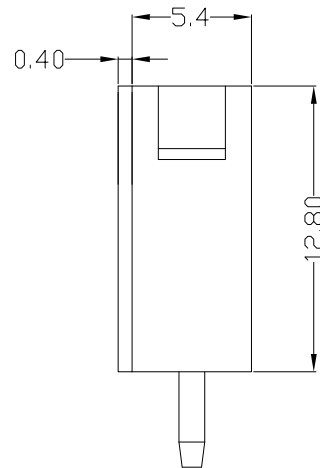
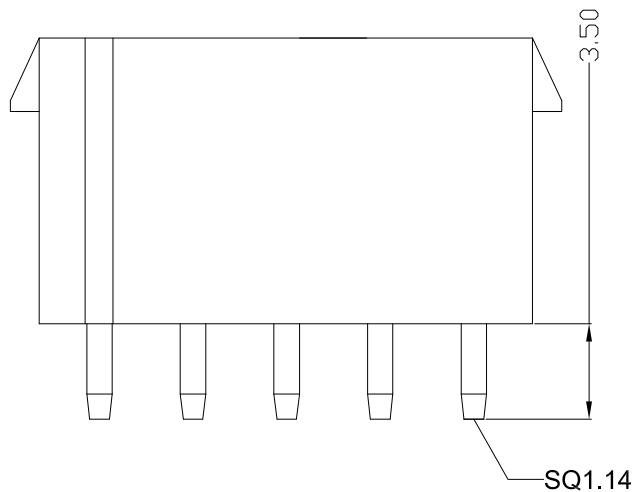
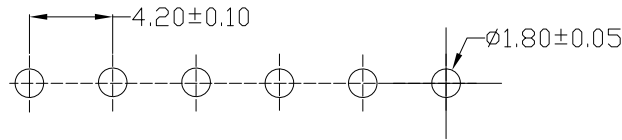
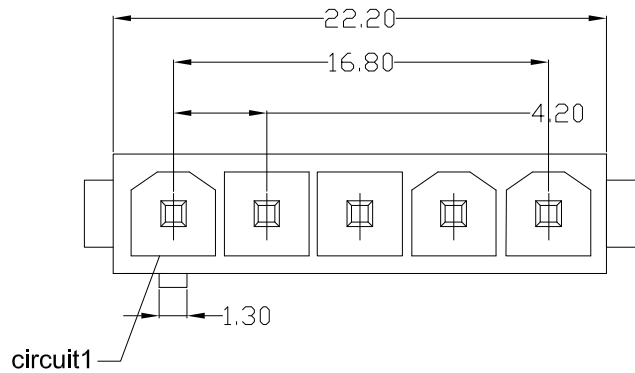
- Voltage rating: 600V AC / DC
- Current rating: 9A AC / DC
- Withstanding voltage: 1500V AC/minute
- Temperature range: -25°C~+85°C
- Insulation resistance: ≥1000MΩ
- Contact resistance: ≤10mΩ
- After environmental testing : ≤20mΩ

X9357 W V X- XX A-XX SN XX

① ② ③ ④ ⑤ ⑥ ⑦ ⑧ ⑨

- ① Series No.
- ② Category:
W-wafer
- ③ Welding Board Angle:
V-180°
- ④ Welding Way:
Blank-DIP ;
- ⑤ Row No.-Pin No.
XX-Single row
- ⑥ Special NO.
A-On both sides of hook
- ⑦ Material:
N0-PA66 94V-0 ; N2-PA66 94V-2
- ⑧ Planting Category:
V:All Gold-Plated
G:Gold-Plated Contact
S-Silver Plating
*01-Gold Flash ; *02-2u" ; *03-3u" ; *05-5u"
*10-10u" ; *15-15u" ; *30-30u" ; *50-50u"
N-Plating Nickel 30u" ; SN-Bright tin plating 70u"
SW-Fog Tin plating
- ⑨ Color:
Blank-natural color

P.C.B. LAYOUT



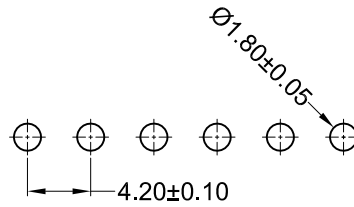
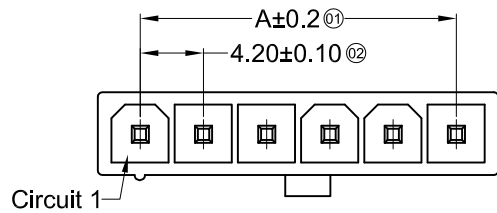
X9357WV-05A-N2SN	Nylon 66 UL 94V-2	Brass	Tin-Plated	X9357H
PART NO	Material	Material(Pin)	Finish(Pin)	Suitable XKB Terminal

For and on behalf of
XKB INDUSTRIAL PRECISION CO., LIMITED
 香港星坤工業精密有限公司

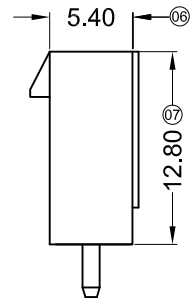
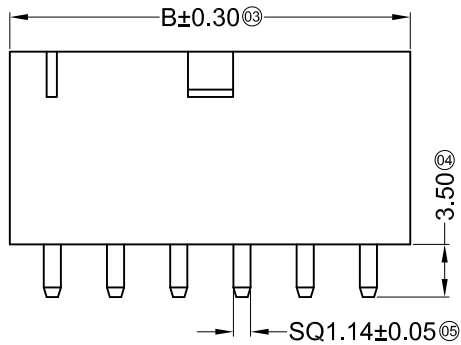
△ X					ANGULAR	±5°	DSND		DATE	SCALE: N/A	MODEL TYPE: X9357WV-05A-N2SN		
△ X					L ≤ 4	±0.2	DWN		DATE	VIEW:	PART NO.:		
△ X					4 < L ≤ 16	±0.3	CHKD		DATE	UNIT: mm	4.20mm Crimp Style connectors		
△ X					16 < L ≤ 63	±0.4	APPD		DATE	SIZE: A4	DWG NO.:		
MARK	DESCRIPTION	DATE	REVISED	APPROVED	L > 63	±0.5							
REVISIONS						UNSPECIFIED TOLERANCES	XKB INDUSTRIAL PRECISION CO., LIMITED				WEIGHT	SHEET	REVISION
											1.0g	1/1	A0

■ Specifications :

- Voltage rating: 600V AC / DC
- Current rating: 9A AC / DC
- Withstanding voltage: 1500V AC/minute
- Temperature range: -25°C~+85°C
- Insulation resistance: ≥1000MΩ
- Contact resistance: ≤10mΩ
- After environmental testing: ≤20mΩ



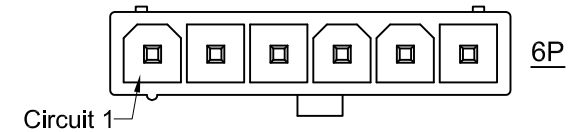
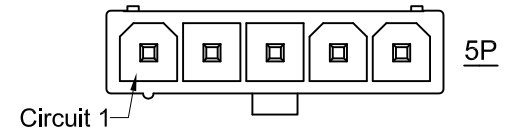
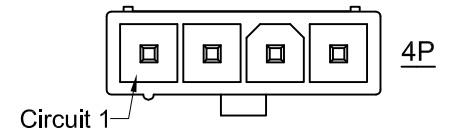
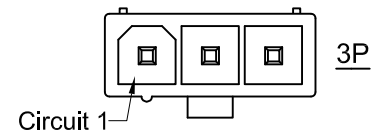
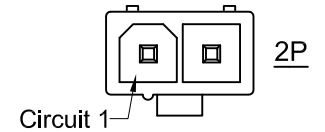
P.C.B LAYOUT



02P~04P,06P 05P

X9357 W V X- XX X-XX SN XX
 ① ② ③ ④ ⑤ ⑥ ⑦ ⑧ ⑨

- ① Series No.
- ② Category: W-wafer
- ③ Welding Board Angle: V-180°
- ④ Welding Way: Blank-DIP ;
- ⑤ Row No.-Pin No.: XX-Single row
- ⑥ Special NO. HF-Halogen free
- ⑦ Material: N0-PA66 94V-0 ; N2-PA66 94V-2
- ⑧ Plating Category:
V01:All Gold Flash ; SN-Bright tin plating
- ⑨ Color: Blank-natural color ;BK-Black

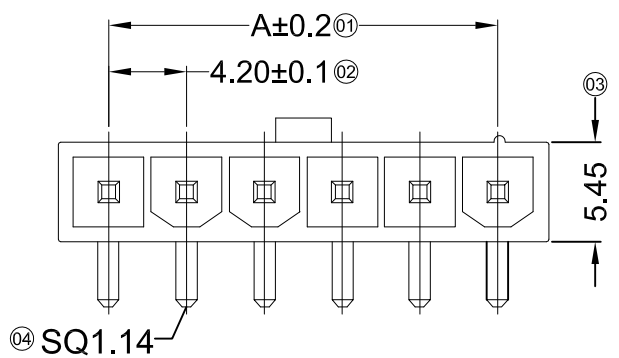


X9357WV-XXHF-N2SN	Nylon 66 UL 94V-2 Halogen free	Brass	Tin-Plated	9357H
X9357WV-XX-N0V01	Nylon 66 UL 94V-0		Gold-Flash	
X9357WV-XX-N0SN	Nylon 66 UL 94V-0		Tin-Plated	
X9357WV-XX-N2V01	Nylon 66 UL 94V-2		Gold-Flash	
X9357WV-XX-N2SN	Nylon 66 UL 94V-2		Tin-Plated	
PART NO	Material	Material(Pin)	Finish(Pin)	Suitable XKB Terminal

Poles	Dimensions(mm)	
	A	B
02	4.20	9.60
03	8.40	13.80
04	12.60	18.00
05	16.80	22.20
06	21.00	26.40

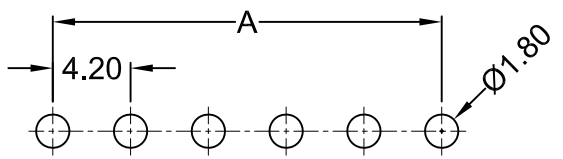
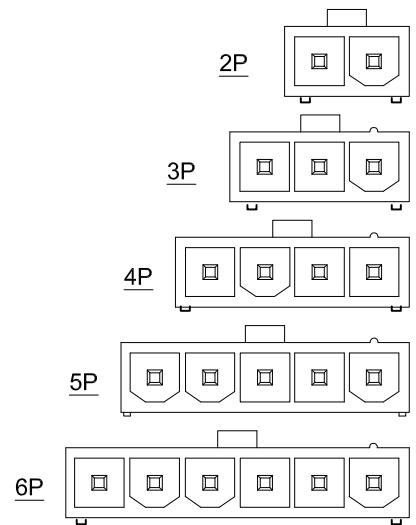
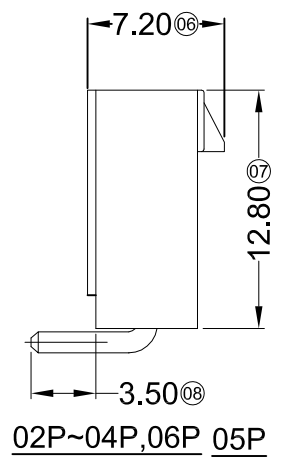
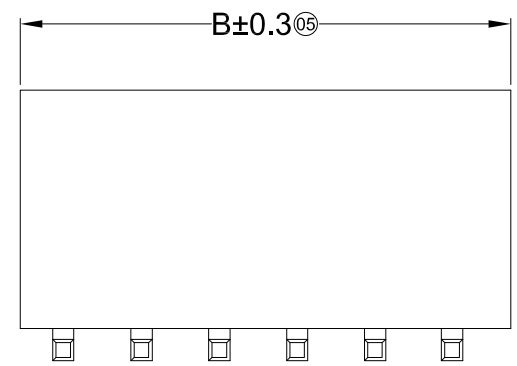
For and on behalf of
XKB INDUSTRIAL PRECISION CO., LIMITED
 香港星坤工業精密有限公司

△ X					ANGULAR	±5°	DSND		DATE	SCALE: N/A	MODEL TYPE: X9357WV-XX-XXSN			
△ X					L ≤ 4	±0.2	DWN		DATE	VIEW:	PART NO.:			
△ X					4 < L ≤ 16	±0.3	CHKD		DATE	UNIT: mm	4.20 mm Crimp Style Connectors			
△ X					16 < L ≤ 63	±0.4	APPD		DATE	SIZE: A4	DWG NO.:			
MARK	DESCRIPTION	DATE	REVISED	APPROVED	L > 63	±0.5								
REVISIONS						UNSPECIFIED TOLERANCES		XKB INDUSTRIAL PRECISION CO., LIMITED				WEIGHT 1.0g	SHEET 1/1	REVISION A0



- Specifications :**
- Voltage rating: 600V AC / DC
 - Current rating: 9A AC / DC
 - Withstanding voltage: 1500V AC/minute
 - Temperature range: -25°C~+85°C
 - Insulation resistance: ≥1000MΩ
 - Contact resistance: ≤10mΩ
 - After environmental testing: ≤20mΩ

- X9357 W R X- XX X-XX SN XX
- ① Series No.
 ② Category: W-wafer
 ③ Welding Board Angle: R-Right Angle 90°
 ④ Welding Way: Blank-DIP ;
 ⑤ Row No.-Pin No.: XX-02P~06P
 ⑥ Special NO.:
 ⑦ Material: N0-PA66 94V-0 ; LP-LCP 94V-0
 N2-PA66 94V-2 ; 9T-PA9T 94-0
 6T-PA6T 94V-0
 ⑧ Planting Category: SN-Bright tin plating
 ⑨ Color: Blank-natural color ;



Recommended P.C.B Layout
 General Tolerance±0.05

Poles	Dimensions(mm)	
	A	B
02	4.20	9.60
03	8.40	13.80
04	12.60	18.00
05	16.80	22.20
06	21.00	26.40

PART NO	Material	Material(Pln)	Finish(Pln)	Suitable XKB Terminal
X9357WR-XX-9TSN	Nylon 9T UL 94V-0	Brass	Tin-Plated	X9357H
X9357WR-XX-6TSN	Nylon 6T UL 94V-0			
X9357WR-XX-LPSN	LCP UL 94V-0			
X9357WR-XX-N0SN	Nylon 66 UL 94V-0			
X9357WR-XX-N2SN	Nylon 66 UL 94V-2			

For and on behalf of
XKB INDUSTRIAL PRECISION CO., LIMITED
 香港星坤工業精密有限公司

DSND	DATE	SCALE: N/A	MODEL TYPE: X9357WR-XX-XXSN
DWN	DATE	VIEW:	PART NO.: 4.20mm Crimp Style connectors
CHKD	DATE	UNIT: mm	DWG NO.:
APPD	DATE	SIZE: A4	
UNSPECIFIED TOLERANCES			WEIGHT 1.0g
XKB INDUSTRIAL PRECISION CO., LIMITED			SHEET 1/1
			REVISION A0

MARK	DESCRIPTION	DATE	REVISED	APPROVED	REVISIONS
△ X					ANGULAR ±5°
△ X					L ≤ 4 ±0.2
△ X					4 < L ≤ 16 ±0.3
△ X					16 < L ≤ 63 ±0.4
△ X					L > 63 ±0.5

1 2 3 4 5 6 7 8

A

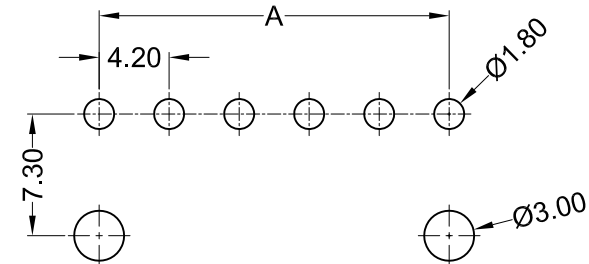
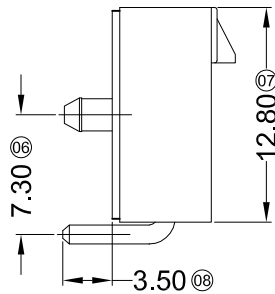
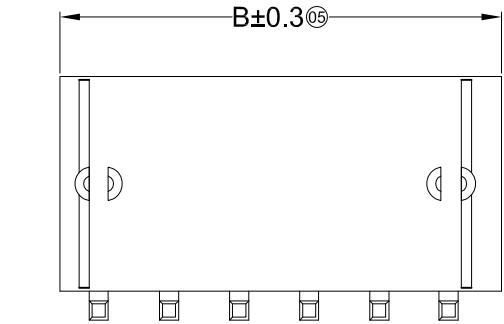
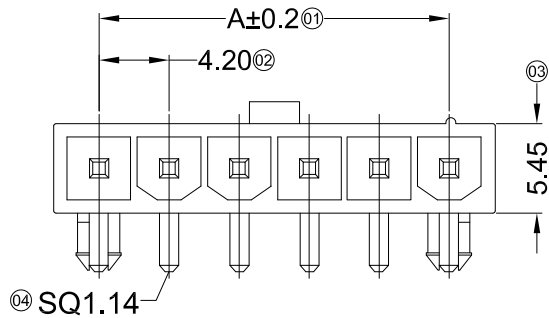
B

C

D

E

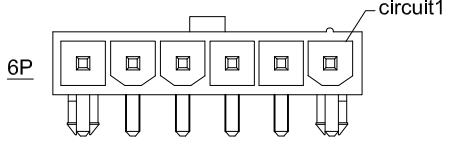
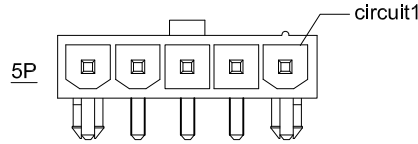
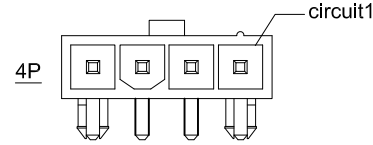
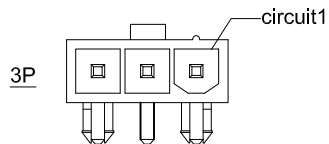
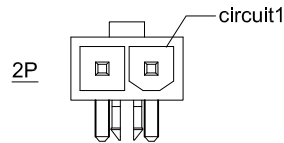
F



Recommended P.C.B Layout
General Tolerance±0.05

■ Specifications :

- Voltage rating: 600V AC / DC
- Current rating: 9A AC / DC
- Withstanding voltage: 1500V AC/minute
- Temperature range: -25°C~+85°C
- Insulation resistance: ≥1000MΩ
- Contact resistance: ≤10mΩ
- After environmental testing: ≤20mΩ



X9357 W R X- XX S-XX SN XX
 (01) (02) (03) (04) (05) (06) (07) (08) (09)

- (01) Series No.
- (02) Category: W-wafer
- (03) Welding Board Angle: R-Right Angle 90°
- (04) Welding Way: Blank-DIP ;
- (05) Row No.-Pin No.: XX-Single row
- (06) Special NO.: S-With positioning column
- (07) Material: N0-PA66 94V-0 ;
N2-PA66 94V-2
- (08) Plating Category: SN-Bright tin plating
- (09) Color: Blank-natural color ; BK-Black

Poles	Dimensions (mm)	
	A	B
2	4.20	9.60
3	8.40	13.80
4	12.60	18.00
5	16.80	22.20
6	21.00	26.40

X9357WR-XXS-N2SNBK	Nylon 66 UL 94V-2 (Black)	Brass	Tin-Plated	X9357H
X9357WR-XXS-N0SN	Nylon 66 UL 94V-0			
X9357WR-XXS-N2SN	Nylon 66 UL 94V-2			
PART NO	Material	Material(Pin)	Finish(Pin)	Suitable XKB Terminal

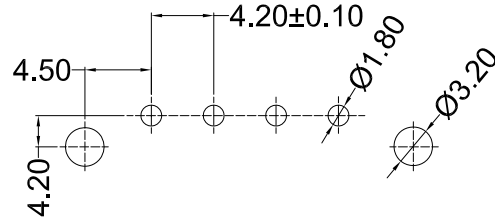
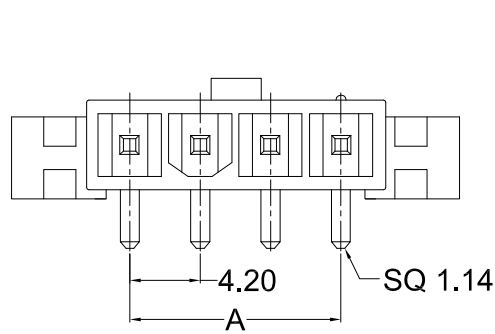
For and on behalf of
XKB INDUSTRIAL PRECISION CO., LIMITED
 香港星坤工業精密有限公司

MARK	DESCRIPTION	DATE	REVISED	APPROVED	UNSPECIFIED TOLERANCES
△ X					ANGULAR ±5°
△ X					L ≤ 4 ±0.2
△ X					4 < L ≤ 16 ±0.3
△ X					16 < L ≤ 63 ±0.4
MARK					L > 63 ±0.5

REVISIONS
 Authorized Signature(s)

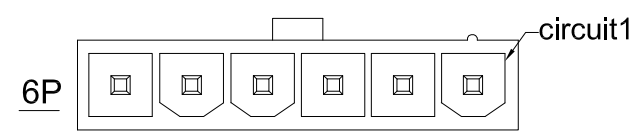
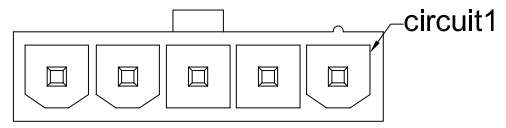
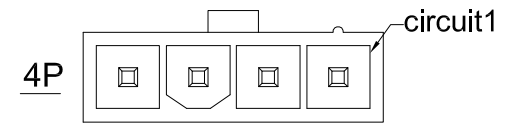
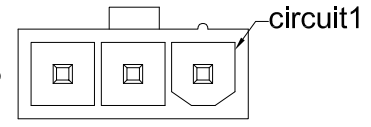
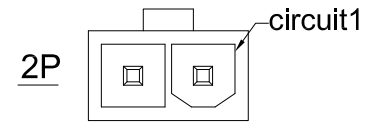
DSND	DATE	SCALE: N/A	MODEL TYPE: X9357WR-XXS-XXSNXX
DWN	DATE	VIEW:	PART NO.:
CHKD	DATE	UNIT: mm	4.20mm Crimp Style connectors
APPD	DATE	SIZE: A4	DWG NO.:
XKB INDUSTRIAL PRECISION CO., LIMITED			WEIGHT 1.0g
			SHEET 1/1
			REVISION A0

1 2 3 4 5 6 7 8



P.C.B LAYOUT

- Specifications :
- Voltage rating: 600V AC / DC
 - Current rating: 9A AC / DC
 - Withstanding voltage: 1500V AC/minute
 - Temperature range: -25°C~+85°C
 - Insulation resistance: ≥1000MΩ
 - Contact resistance: ≤10mΩ
 - After environmental testing: ≤20mΩ

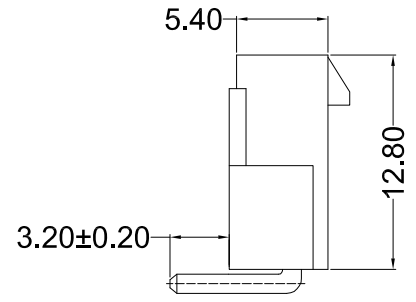
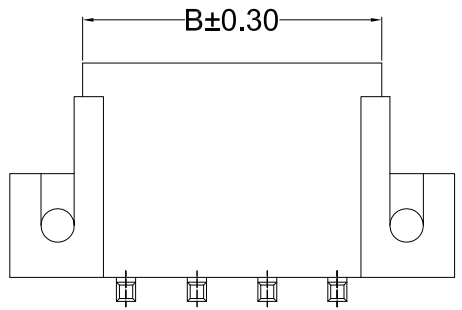


X9357 W R X- XX ES-XX SN XX

① ② ③ ④ ⑤ ⑥ ⑦ ⑧ ⑨

- ① Series No.
- ② Category: W-wafer
- ③ Welding Board Angle: R-90°
- ④ Welding Way: Blank-DIP ;
- ⑤ Row No.-Pin No. XX-Single row
- ⑥ Special NO. ES-has ears and screw holes
- ⑦ Material: N0-PA66 94V-0 ; N2-PA66 94V-2
- ⑧ Planting Category: V:All Gold-Plated G:Gold-Plated Contact S-Silver Plating *01-Gold Flash ; *02-2u" ; *03-3u" ; *05-5u" *10-10u" ; *15-15u" ; *30-30u" ; *50-50u" N-Plating Nickel 30-50u" ; SN-Bright tin plating 70u" SW-Fog Tin plating
- ⑨ Color: Blank-natural color

Poles	Dimensions (mm)	
	A	B
2	4.20	9.60
3	8.40	13.80
4	12.60	18.00
5	16.80	22.20
6	21.00	26.40



X9357WR-XXES-N0SN	Nylon 66 UL 94V-0	Brass	Tin-Plated	X9357H	1,000Pcs
X9357WR-XXES-N2SN	Nylon 66 UL 94V-2	Brass	Tin-Plated		
PART NO	Material	Material(Pin)	Finish(Pin)	Suitable XKB Terminal	Q' ty/Bag

For and on behalf of
XKB INDUSTRIAL PRECISION CO., LIMITED
 香港星坤工業精密有限公司

MARK	DESCRIPTION	DATE	REVISED	APPROVED	UNSPECIFIED TOLERANCES
△ X					ANGULAR ±5°
△ X					L ≤ 4 ±0.2
△ X					4 < L ≤ 16 ±0.3
△ X					16 < L ≤ 63 ±0.4
MARK					L > 63 ±0.5

DSND	DATE	SCALE: N/A	MODEL TYPE: X9357WR-XXES-XXSN
DWN	DATE	VIEW:	PART NO.: 4.20mm Crimp Style connectors
CHKD	DATE	UNIT: mm	DWG NO.:
APPD	DATE	SIZE: A4	
XKB INDUSTRIAL PRECISION CO., LIMITED			WEIGHT 1.0g
			SHEET 1/1
			REVISION A0

REVISIONS
 Authorized Signature(s)

X-ON Electronics

Largest Supplier of Electrical and Electronic Components

Click to view similar products for [Headers & Wire Housings](#) category:

Click to view products by [XKB](#) manufacturer:

Other Similar products are found below :

[57102-F02-18ULF](#) [58102-G61-06LF](#) [0009485154](#) [009176003701906](#) [0050291907](#) [02.125.8002.8](#) [609-3404](#) [61062-3](#) [622-0430](#) [622-3653LF](#)
[63453-116](#) [636-1030](#) [636-1427](#) [636-3427](#) [636-4007](#) [641938-9](#) [644827-2](#) [65495-038](#) [65692-001LF](#) [65781-018](#) [65781-047](#) [65817-010LF](#)
[65817-015LF](#) [66207-023LF](#) [67016-026LF](#) [67095-007LF](#) [68631-112](#) [68645-018](#) [68648-049](#) [699319-000](#) [70.362.1628.0](#) [70-4210](#) [70-4226B](#)
[70-4853B](#) [707-5020](#) [707-5028](#) [71.350.2428.0](#) [71961-016LF](#) [733-134](#) [754199-000](#) [760-3052](#) [787-8014-00](#) [FCN-367T-T012/H](#) [80.063.4001.1](#)
[800-90-001-10-001000](#) [800-90-010-10-002000](#) [801-43-002-10-013000](#) [801-43-006-10-002000](#) [803-41-018-10-001000](#) [803-43-014-20-](#)
[001000](#)