

1 2 3 4 5 6 7 8

A

B

C

D

E

F

A

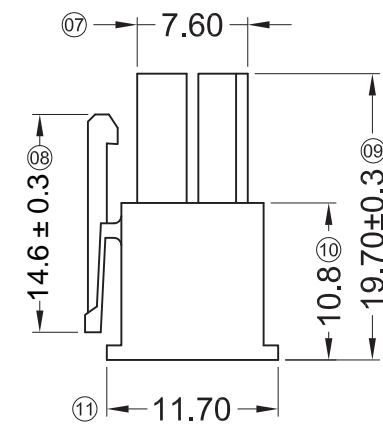
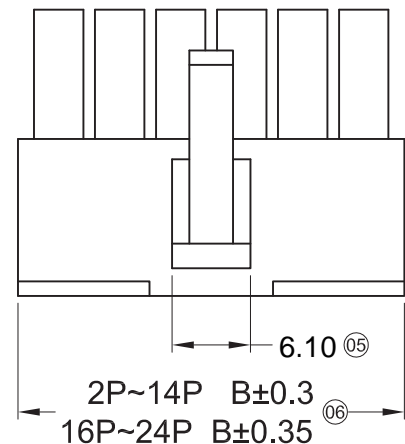
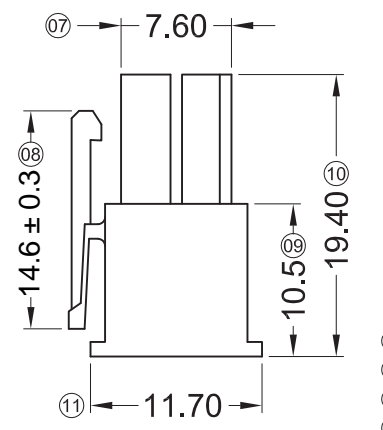
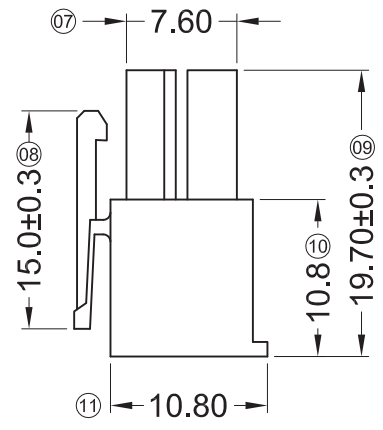
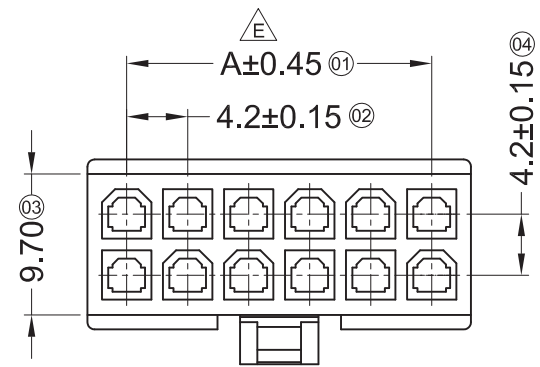
B

C

D

E

F



■ Specifications :

- Voltage rating: 600V AC / DC
- Current rating: 9A AC / DC
- Withstanding voltage: 1500V AC/minute
- Temperature range: -25°C~+85°C
- Insulation resistance: ≥1000MΩ
- Contact resistance: ≤10mΩ
- After environmental testing: ≤20mΩ

X9357 H M-2\*XX XX-XX XX

① ② ③ ④ ⑤ ⑥ ⑦

- ① Series No.
- ② Category: H-HSG
- ③ Welding Board Angle: M-Male HSG
- ④ Row No.-Pin No.: 2\*XX-2\*01P~2\*12P
- ⑤ Plug the Pin & special No.:
- ⑥ Material: N0-PA66 94V-0; N2-PA66 94V-2
- ⑦ Color: Blank-Natural Color ; BK-Black

| Poles | Dimensions(mm) |       | Poles | Dimensions(mm) |       |
|-------|----------------|-------|-------|----------------|-------|
|       | A              | B     |       | A              | B     |
| 2*01  | /              | 5.50  | 2*07  | 25.20          | 30.70 |
| 2*02  | 4.20           | 9.70  | 2*08  | 29.40          | 34.90 |
| 2*03  | 8.40           | 13.90 | 2*09  | 33.60          | 39.10 |
| 2*04  | 12.60          | 18.10 | 2*10  | 37.80          | 43.30 |
| 2*05  | 16.80          | 22.30 | 2*11  | 42.00          | 47.50 |
| 2*06  | 21.00          | 26.50 | 2*12  | 46.20          | 51.70 |

△D

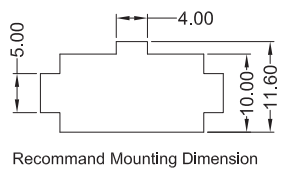
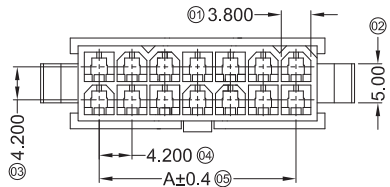
|                   |                      |                       |                       |
|-------------------|----------------------|-----------------------|-----------------------|
| X9357HM-2*XX-N2BK | Nylon 66 94V-2 Black | X9357TF               | X9357W Or 9357H       |
| X9357HM-2*XX-LP   | LCP 94V-0            |                       |                       |
| X9357HM-2*XX-N2   | Nylon 66 94V-2       |                       |                       |
| X9357HM-2*XX-N0   | Nylon 66 94V-0       |                       |                       |
| PART NO           | Material             | Suitable XKB Terminal | Suitable XKB Terminal |

For and on behalf of  
**XKB INDUSTRIAL PRECISION CO., LIMITED**  
 香港星坤工業精密有限公司

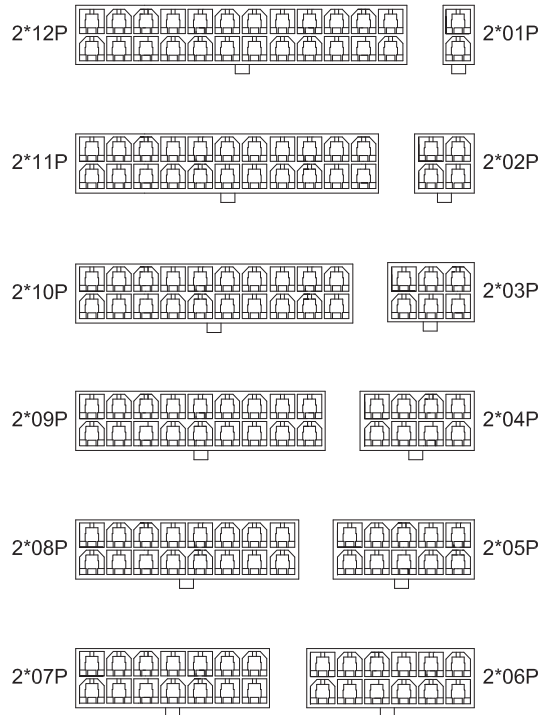
| MARK | DESCRIPTION | DATE | REVISED | APPROVED | UNSPECIFIED TOLERANCES |
|------|-------------|------|---------|----------|------------------------|
| △ X  |             |      |         |          | ANGULAR ±5°            |
| △ X  |             |      |         |          | L ≤ 4 ±0.2             |
| △ X  |             |      |         |          | 4 < L ≤ 16 ±0.3        |
|      |             |      |         |          | 16 < L ≤ 63 ±0.4       |
|      |             |      |         |          | L > 63 ±0.5            |

|                                       |      |            |                               |
|---------------------------------------|------|------------|-------------------------------|
| DSND                                  | DATE | SCALE: N/A | MODEL TYPE: X9357HM-2*XX-XX   |
| DWN                                   | DATE | VIEW:      | PART NO.:                     |
| CHKD                                  | DATE | UNIT: mm   | 4.20mm Crimp Style Connectors |
| APPD                                  | DATE | SIZE: A4   | DWG NO.:                      |
| XKB INDUSTRIAL PRECISION CO., LIMITED |      |            | WEIGHT 1.0g                   |
|                                       |      |            | SHEET 1/1                     |
|                                       |      |            | REVISION A0                   |

1 2 3 4 5 6 7 8



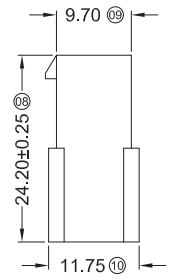
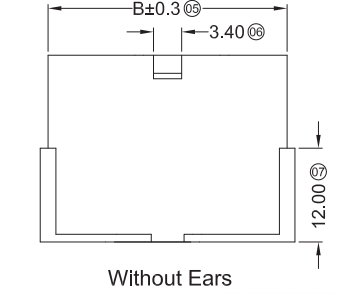
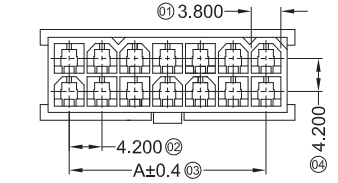
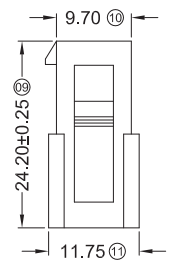
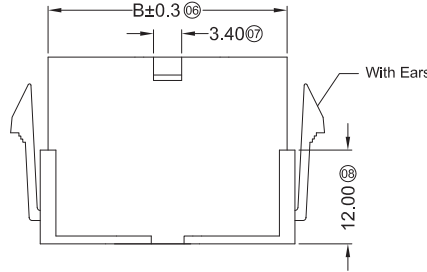
- Specifications :**
- Voltage rating: 600V AC / DC
  - Current rating: 9A AC / DC
  - Withstanding voltage: 1500V AC/minute
  - Temperature range: -25°C~+85°C
  - Insulation resistance: ≥1000MΩ
  - Contact resistance: ≤10mΩ
  - After environmental testing: ≤20mΩ



X9357 H F-2\*XX X-XX XX  
 ① ② ③ ④ ⑤ ⑥ ⑦

- ① Series No.
- ② Category: H-HSG
- ③ Welding Board Angle: F-Female
- ④ Row No.-Pin No.: 2\*XX-2\*01P~2\*12P
- ⑤ Plug the Pin & special No.:  
 I-Without the Wing; G-With the Wing
- ⑥ Material: N0-PA66 94V-0; N2-PA66 94V-2
- ⑦ Color : Blank-Natural Color  
 BK-Black

| Poles | Dimensions(mm) |       | Poles | Dimensions(mm) |       |
|-------|----------------|-------|-------|----------------|-------|
|       | A              | B     |       | A              | B     |
| 2*01  | --             | 5.60  | 2*07  | 25.20          | 30.80 |
| 2*02  | 4.20           | 9.80  | 2*08  | 29.40          | 35.00 |
| 2*03  | 8.40           | 14.00 | 2*09  | 33.60          | 39.20 |
| 2*04  | 12.60          | 18.20 | 2*10  | 37.80          | 43.40 |
| 2*05  | 16.80          | 22.40 | 2*11  | 42.00          | 47.60 |
| 2*06  | 21.00          | 26.60 | 2*12  | 46.20          | 51.80 |



|   |                    |                      |                       |                       |              |
|---|--------------------|----------------------|-----------------------|-----------------------|--------------|
| E | X9357HF-2*XXI-N2BK | Nylon 66 94V-2 Black | X9357TM               | X9357W Or 9357H       | Without Ears |
|   | X9357HF-2*XXG-N2   | Nylon 66 94V-2       |                       |                       | With Ears    |
|   | X9357HF-2*XXI-N2   | Nylon 66 94V-2       |                       |                       | Without Ears |
|   | X9357HF-2*XXG-N0   | Nylon 66 94V-0       |                       |                       | With Ears    |
|   | X9357HF-2*XXI-N0   | Nylon 66 94V-0       |                       |                       | Without Ears |
|   | PART N0            | Material             | Suitable XKB Terminal | Suitable XKB Terminal | Note         |

For and on behalf of  
**XKB INDUSTRIAL PRECISION CO., LIMITED**  
 香港星坤工業精密有限公司

|      |             |      |         |          |                        |      |
|------|-------------|------|---------|----------|------------------------|------|
| △ X  |             |      |         |          | ANGULAR                | ±5°  |
| △ X  |             |      |         |          | L ≤ 4                  | ±0.2 |
| △ X  |             |      |         |          | 4 < L ≤ 16             | ±0.3 |
| MARK | DESCRIPTION | DATE | REVISED | APPROVED | 16 < L ≤ 63            | ±0.4 |
|      |             |      |         |          | L > 63                 | ±0.5 |
|      | REVISIONS   |      |         |          | UNSPECIFIED TOLERANCES |      |

|                                       |      |            |                                 |
|---------------------------------------|------|------------|---------------------------------|
| DSND                                  | DATE | SCALE: N/A | MODEL TYPE:<br>X9357HF-2*XXX-XX |
| DWN                                   | DATE | VIEW:      | PART NO.:                       |
| CHKD                                  | DATE | UNIT: mm   | 4.20 mm Crimp Style Connectors  |
| APPD                                  | DATE | SIZE: A4   | DWG NO.:                        |
| XKB INDUSTRIAL PRECISION CO., LIMITED |      |            | WEIGHT<br>1.0g                  |
|                                       |      |            | SHEET<br>1/1                    |
|                                       |      |            | REVISION<br>A0                  |

1 2 3 4 5 6 7 8

A

B

C

D

E

F

A

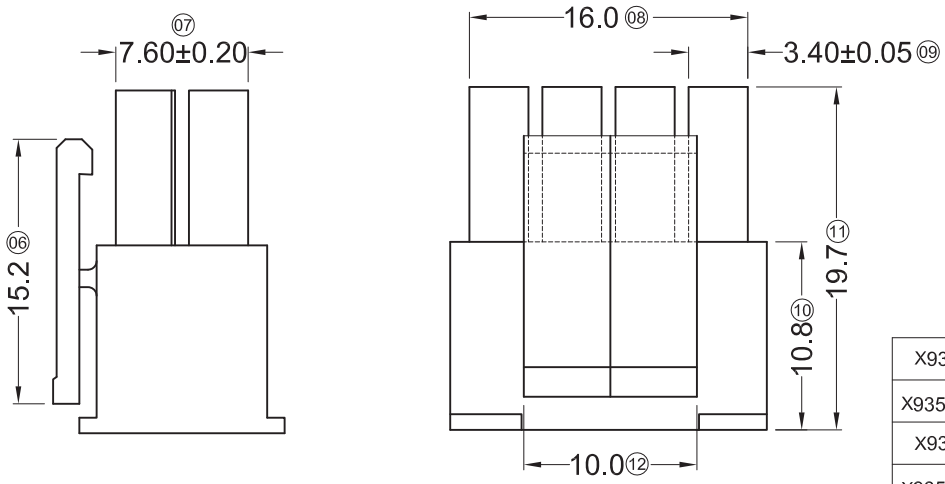
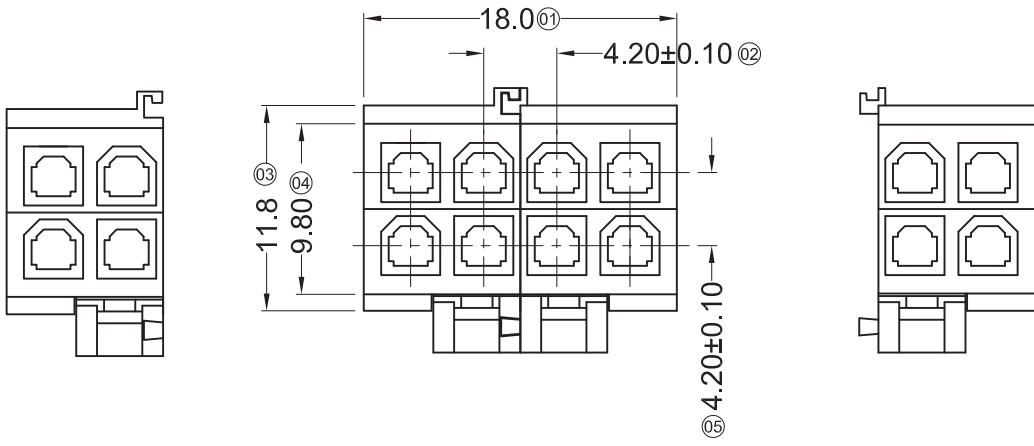
B

C

D

E

F



**Specifications :**

- Voltage rating: 600V AC / DC
- Current rating: 9A AC / DC
- Withstanding voltage: 1500V AC/minute
- Temperature range: -25°C~+85°C
- Insulation resistance: ≥1000MΩ
- Contact resistance: ≤10mΩ
- After environmental testing: ≤20mΩ

X9357 H M-2\*04 A- XX XX

① ② ③ ④ ⑤ ⑥ ⑦

- ① Series No.
- ② Category: H-HSG
- ③ Appearance type: M-Male HSG
- ④ Row No.-Pin No.: 2\*XX-Double Row
- ⑤ Plug the Pin & Special No.: A- 4+4P Type
- ⑥ Material : N0-PA66 94V-0 ; N2-PA66 94V-2
- ⑦ Color: Blank-Natural Color; BK-Black

|                    |                |               |                       |                       |
|--------------------|----------------|---------------|-----------------------|-----------------------|
| X9357HM-2*04A-N2   | Nylon 66 94V-2 | Natural Color | X9357TF               | X9357W Or 9357H       |
| X9357HM-2*04A-N2BK |                | Black         |                       |                       |
| X9357HM-2*04A-N0   | Nylon 66 94V-0 | Natural Color |                       |                       |
| X9357HM-2*04A-N0BK |                | Black         |                       |                       |
| PART NO            | Material       | Color         | Suitable XKB Terminal | Suitable XKB Terminal |

For and on behalf of  
**XKB INDUSTRIAL PRECISION CO., LIMITED**  
 香港星坤工業精密有限公司

|           |             |      |         |          |             |                        |  |  |      |  |            |                                   |          |
|-----------|-------------|------|---------|----------|-------------|------------------------|--|--|------|--|------------|-----------------------------------|----------|
| △ X       |             |      |         |          | ANGULAR     | ±5°                    | DSND   |  | DATE |  | SCALE: N/A | MODEL TYPE:<br>X9357HM-2*04A-XXXX |          |
| △ X       |             |      |         |          | L ≤ 4       | ±0.2                   | DWN  |  | DATE |  | VIEW:      | PART NO.:                         |          |
| △ X       |             |      |         |          | 4 < L ≤ 16  | ±0.3                   | CHKD   |  | DATE |  | UNIT: mm   | 4.20 mm Crimp Style Connectors    |          |
| △ X       |             |      |         |          | 16 < L ≤ 63 | ±0.4                   | APPD   |  | DATE |  | SIZE: A4   | DWG NO.:                          |          |
| MARK      | DESCRIPTION | DATE | REVISED | APPROVED | L > 63      | ±0.5                   |  |  |      |  |            |                                   |          |
| REVISIONS |             |      |         |          |             | UNSPECIFIED TOLERANCES | <b>XKB INDUSTRIAL PRECISION CO., LIMITED</b> |  |      |  | WEIGHT     | SHEET                             | REVISION |
|           |             |      |         |          |             |                        |  |  |      |  | 1.0g       | 1/1                               | A0       |

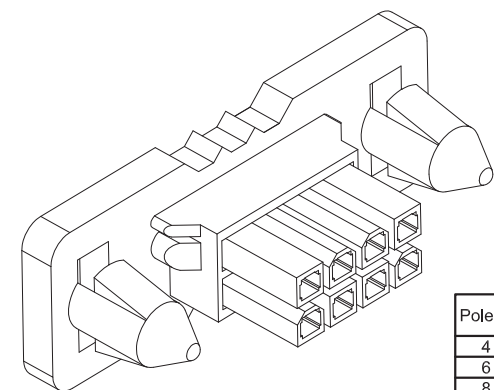
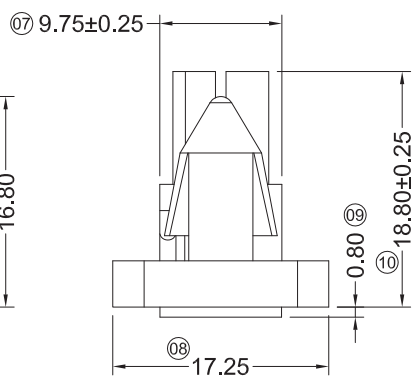
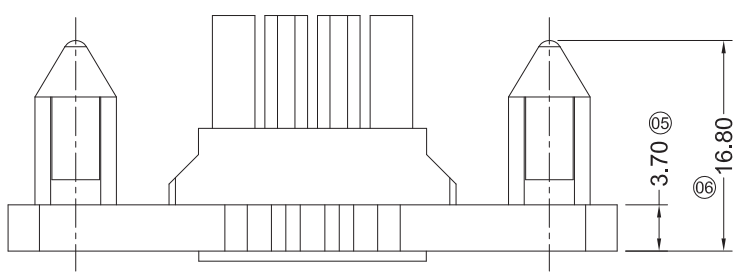
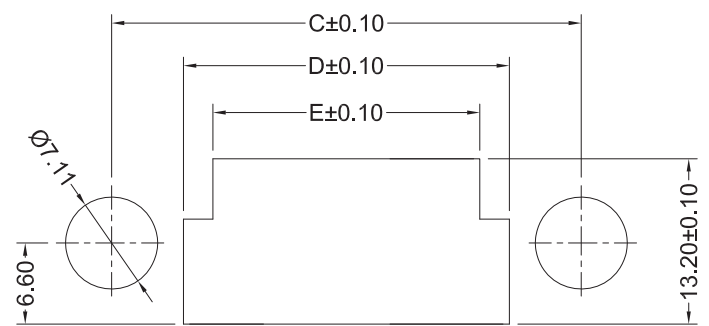
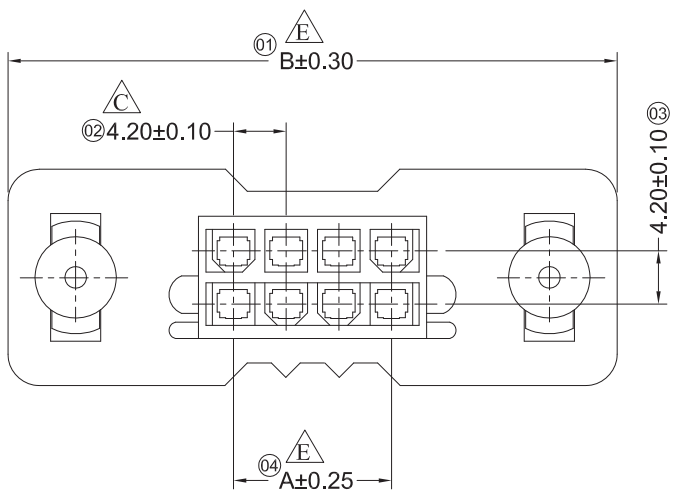
1 2 3 4 5 6 7 8

■ Specifications :

- Voltage rating: 600V AC / DC
- Current rating: 9A AC / DC
- Withstanding voltage: 1500V AC/minute
- Temperature range: -25°C~+85°C
- Insulation resistance: ≥1000MΩ
- Contact resistance: ≤10mΩ
- After environmental testing: ≤20mΩ

X9357 H M - 2\*XX B -N2 XX

- ① Series No.
- ② Category: H-HSG
- ③ Welding Board Angle: M-Male HGS
- ④ Row No.-Pin No.: 2\*XX-Double row
- ⑤ Plug the Pin & special No.B-With the back seat
- ⑥ Material: N2-PA66 94V-2
- ⑦ Color: Blank-natural color



| Poles | Dimensions (mm) |        |       |       |       |
|-------|-----------------|--------|-------|-------|-------|
|       | A               | B      | C     | D     | E     |
| 4     | 4.20            | 40.20  | 29.20 | 17.60 | 12.90 |
| 6     | 8.40            | 44.40  | 33.40 | 21.80 | 17.10 |
| 8     | 12.60           | 48.60  | 37.60 | 26.00 | 21.30 |
| 10    | 16.80           | 52.80  | 41.80 | 30.20 | 25.50 |
| 12    | 21.00           | 57.00  | 46.00 | 34.40 | 29.70 |
| 14    | 25.20           | 61.20  | 50.20 | 38.60 | 33.90 |
| 16    | 29.40           | 65.40  | 54.40 | 42.80 | 38.10 |
| 18    | 33.60           | 69.60  | 58.60 | 47.00 | 42.30 |
| 20    | 37.80           | 73.80  | 62.80 | 51.20 | 46.50 |
| 22    | 42.00           | 78.00  | 67.00 | 55.40 | 50.70 |
| 24    | 46.20           | 82.20  | 71.20 | 59.60 | 54.90 |
| 36    | 71.40           | 107.40 | 96.40 | 81.50 | 76.78 |

|                  |                |                       |                       |
|------------------|----------------|-----------------------|-----------------------|
| X9357HM-2*XXB-N2 | Nylon 66 94V-2 | X9357TF               | X9357HF-B             |
| PART NO          | Material       | Suitable XKB Terminal | Suitable XKB Terminal |

For and on behalf of  
**XKB INDUSTRIAL PRECISION CO., LIMITED**  
 香港星坤工業精密有限公司

|           |             |      |         |          |                        |      |
|-----------|-------------|------|---------|----------|------------------------|------|
| △ X       |             |      |         |          | ANGULAR                | ±5°  |
| △ X       |             |      |         |          | L ≤ 4                  | ±0.2 |
| △ X       |             |      |         |          | 4 < L ≤ 16             | ±0.3 |
| △ X       |             |      |         |          | 16 < L ≤ 63            | ±0.4 |
| MARK      | DESCRIPTION | DATE | REVISED | APPROVED | L > 63                 | ±0.5 |
| REVISIONS |             |      |         |          | UNSPECIFIED TOLERANCES |      |

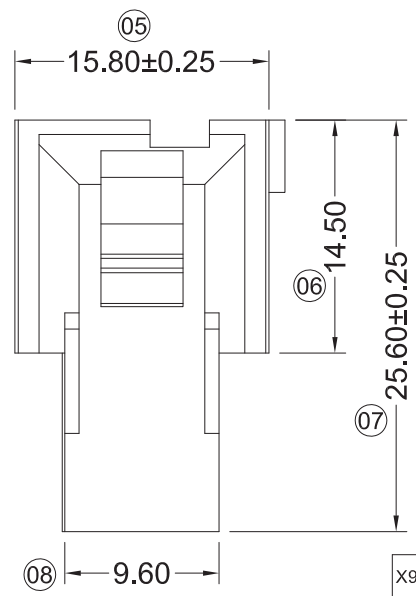
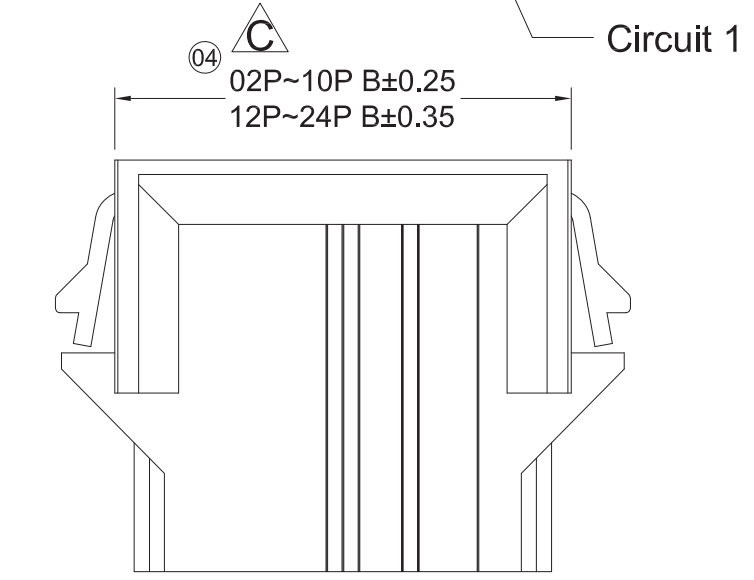
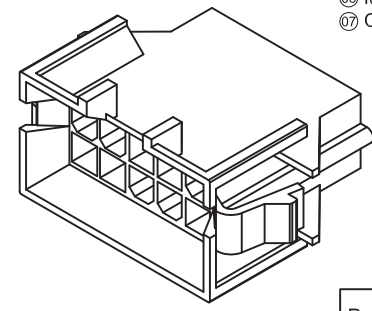
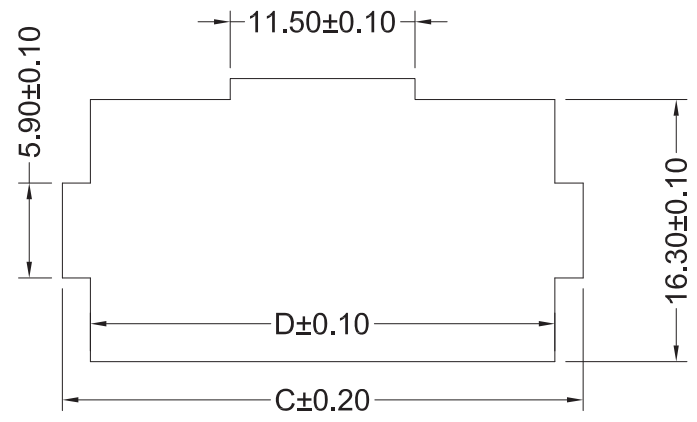
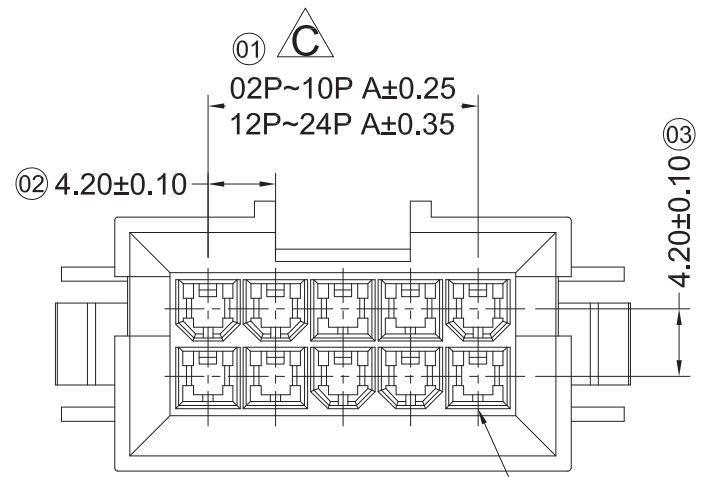
|                                       |      |            |                                 |
|---------------------------------------|------|------------|---------------------------------|
| DSND                                  | DATE | SCALE: N/A | MODEL TYPE:<br>X9357HM-2*XXB-N2 |
| DWN                                   | DATE | VIEW:      | PART NO.:                       |
| CHKD                                  | DATE | UNIT: mm   | 4.20mm Crimp Style Connectors   |
| APPD                                  | DATE | SIZE: A4   | DWG NO.:                        |
| XKB INDUSTRIAL PRECISION CO., LIMITED |      |            | WEIGHT<br>1.0g                  |
|                                       |      |            | SHEET<br>1/1                    |
|                                       |      |            | REVISION<br>A0                  |

1 2 3 4 5 6 7 8

- Specifications :
- Voltage rating: 600V AC / DC
  - Current rating: 9A AC / DC
  - Withstanding voltage: 1500V AC/minute
  - Temperature range: -25°C~+85°C
  - Insulation resistance: ≥1000MΩ
  - Contact resistance: ≤10mΩ
  - After environmental testing: ≤20mΩ

X9357 H F - 2\*XX B - N2 XX

- ① Series No.  
 ② Category: H-HSG  
 ③ Welding Board Angle:  
 Blank-ordinary F-Female HGS  
 ④ Row No.-Pin No.: 2\*XX-Double row  
 ⑤ Plug the Pin & special No.: B-With a trough  
 ⑥ Material: N2-PA66 94V-2  
 ⑦ Color: Blank-natural color



| Poles | Dimensions (mm) |       |       |       |
|-------|-----------------|-------|-------|-------|
|       | A               | B     | C     | D     |
| 04    | 4.20            | 15.80 | 19.80 | 16.30 |
| 06    | 8.40            | 20.00 | 24.00 | 20.50 |
| 08    | 12.60           | 24.20 | 28.20 | 24.70 |
| 10    | 16.80           | 28.40 | 32.40 | 28.90 |
| 14    | 25.20           | 36.80 | 40.80 | 37.30 |
| 18    | 33.60           | 45.20 | 49.20 | 45.70 |
| 20    | 37.80           | 49.40 | 53.40 | 49.90 |
| 22    | 46.20           | 57.80 | 61.80 | 58.30 |

|                  |                   |                       |                       |
|------------------|-------------------|-----------------------|-----------------------|
| X9357HF-2*XXB-N2 | Nylon 66 UL 94V-2 | 9357TM                | X9357HM-B、9357WR-B    |
| PART NO          | Material          | Suitable XKB Terminal | Suitable XKB Terminal |

For and on behalf of  
**XKB INDUSTRIAL PRECISION CO., LIMITED**  
 香港星坤工業精密有限公司

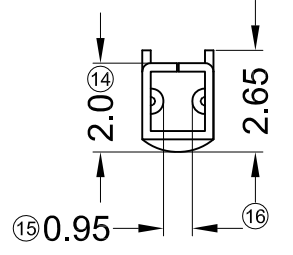
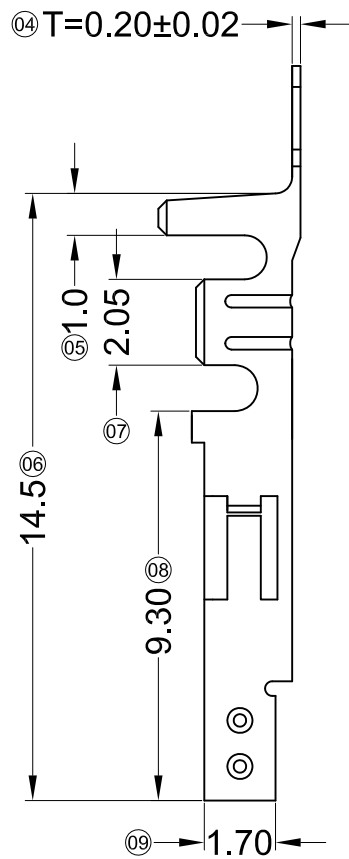
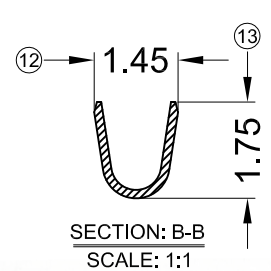
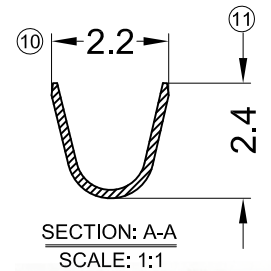
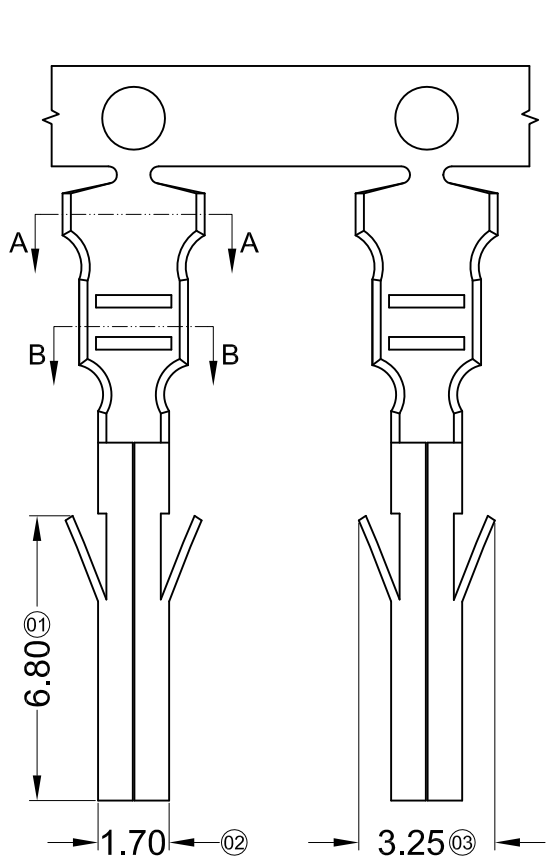
|      |             |      |         |          |                        |      |
|------|-------------|------|---------|----------|------------------------|------|
| △ X  |             |      |         |          | ANGULAR                | ±5°  |
| △ X  |             |      |         |          | L ≤ 4                  | ±0.2 |
| △ X  |             |      |         |          | 4 < L ≤ 16             | ±0.3 |
| △ X  |             |      |         |          | 16 < L ≤ 63            | ±0.4 |
| MARK | DESCRIPTION | DATE | REVISED | APPROVED | L > 63                 | ±0.5 |
|      |             |      |         |          | UNSPECIFIED TOLERANCES |      |

|      |  |      |  |            |                                 |          |
|------|--|------|--|------------|---------------------------------|----------|
| DSND |  | DATE |  | SCALE: N/A | MODEL TYPE:<br>X9357HF-2*XXB-N2 |          |
| DWN  |  | DATE |  | VIEW:      | PART NO.:                       |          |
| CHKD |  | DATE |  | UNIT: mm   | 4.20mm Crimp Style Connectors   |          |
| APPD |  | DATE |  | SIZE: A4   | DWG NO.:                        |          |
|      |  |      |  | WEIGHT     | SHEET                           | REVISION |
|      |  |      |  | 1.0g       | 1/1                             | A0       |

Authorized Signature(s)

**XKB INDUSTRIAL PRECISION CO., LIMITED**

1 2 3 4 5 6 7 8



**Specifications :**

- Voltage rating: 600V AC / DC
- Current rating: 9A AC / DC
- Withstanding voltage: 1500V AC/minute
- Temperature range: -25°C~+85°C
- Insulation resistance: ≥1000MΩ
- Contact resistance: ≤10mΩ
- After environmental testing: ≤20mΩ

X9357 T F-X SN X-M

① ② ③ ④ ⑤ ⑥ ⑦

- ① Series Number
- ② Category: T-terminal
- ③ Shape: F-Female
- ④ Material: B-Brass; P-Phosphor Bronze
- ⑤ Plating style: SN-Bright tin plating
- ⑥ Plating method: Blank-Stamping before plating;
- ⑦ Special No: M-Low Leads

|               |                 |            |                 |   |              |
|---------------|-----------------|------------|-----------------|---|--------------|
| X9357TF-PSN-M | Phosphor Bronze | AWG#24-28  | 1.90mm(Max)     | Stamping Before Plating :30u" MIN, Ni:70u"Sn MIN. | X9357HM      |
| X9357TF-BSN-M | Brass           |            |                 |   |              |
| PART NO       | Material        | Wire Range | Insulation O.D. | Finish  | Suitable XKB |

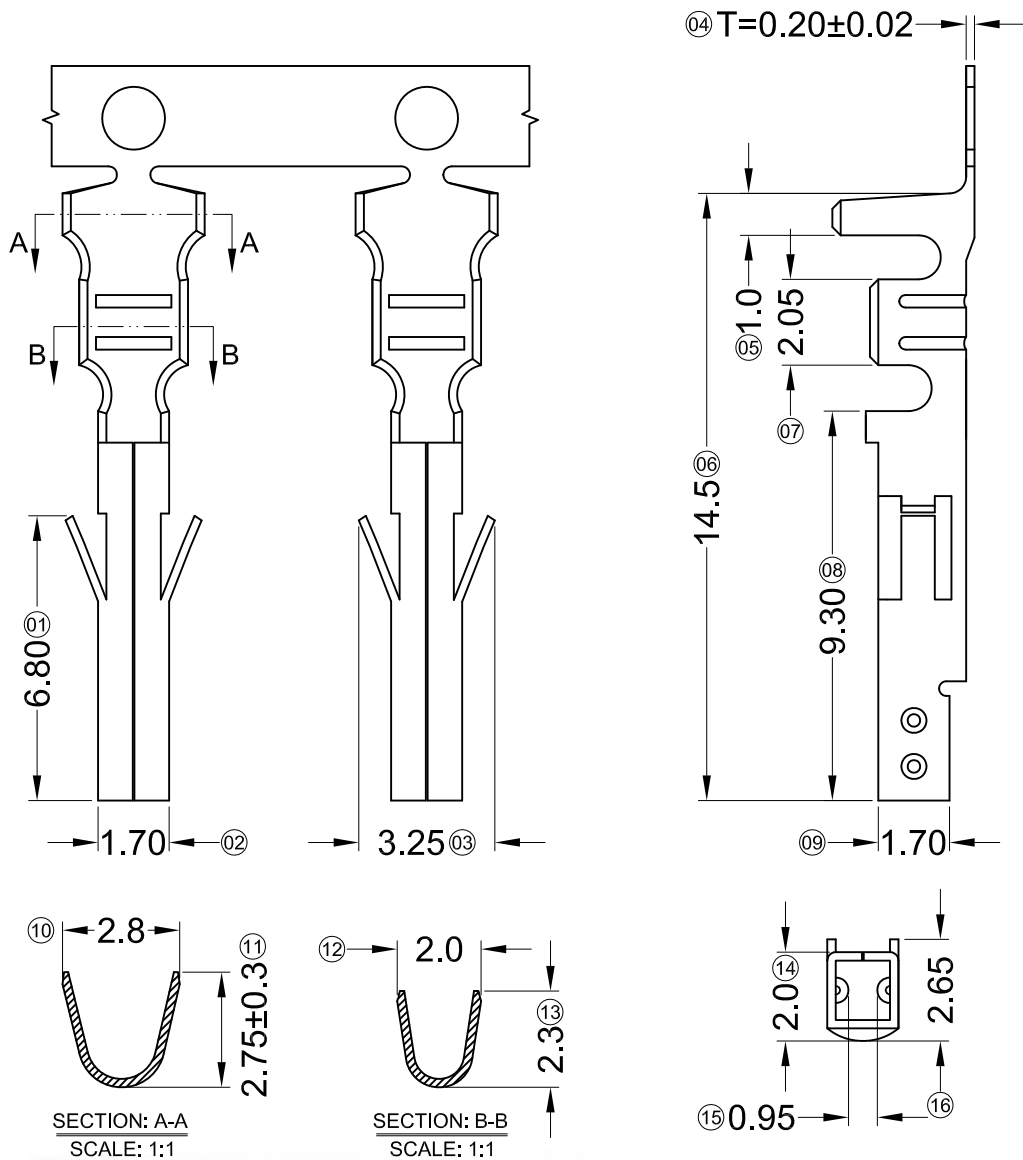
For and on behalf of  
**XKB INDUSTRIAL PRECISION CO., LIMITED**  
 香港星坤工業精密有限公司

|           |             |      |         |          |                        |       |
|-----------|-------------|------|---------|----------|------------------------|-------|
| △ X       |             |      |         |          | ANGULAR                | ± 5°  |
| △ X       |             |      |         |          | L ≤ 4                  | ± 0.2 |
| △ X       |             |      |         |          | 4 < L ≤ 16             | ± 0.3 |
| △ X       |             |      |         |          | 16 < L ≤ 63            | ± 0.4 |
| MARK      | DESCRIPTION | DATE | REVISED | APPROVED | L > 63                 | ± 0.5 |
| REVISIONS |             |      |         |          | UNSPECIFIED TOLERANCES |       |

|      |  |      |  |            |                                |          |
|------|--|------|--|------------|--------------------------------|----------|
| DSND |  | DATE |  | SCALE: N/A | MODEL TYPE:<br>X9357TF-XSN-M   |          |
| DWN  |  | DATE |  | VIEW:      | PART NO.:                      |          |
| CHKD |  | DATE |  | UNIT: mm   | 4.20 mm Crimp Style Connectors |          |
| APPD |  | DATE |  | SIZE: A4   | DWG NO.:                       |          |
|      |  |      |  | WEIGHT     | SHEET                          | REVISION |
|      |  |      |  | 1.0g       | 1/1                            | A0       |

**XKB INDUSTRIAL PRECISION CO., LIMITED**





**Specifications :**

- Voltage rating: 600V AC / DC
- Current rating: 9A AC / DC
- Withstanding voltage: 1500V AC/minute
- Temperature range: -25°C~+85°C
- Insulation resistance: ≥1000MΩ
- Contact resistance: ≤10mΩ
- After environmental testing: ≤20mΩ

X9357 T F-X SN X-L

① ② ③ ④ ⑤ ⑥ ⑦

- ① Series Number
- ② Category: T-terminal
- ③ Shape: F-Female
- ④ Material: B-Brass; P-Phosphor Bronze
- ⑤ Plating style: SN-Bright tin plating
- ⑥ Plating method: Blank-Stamping before plating;
- ⑦ Special No: L-Normal Leads

|               |                 |            |                 |   |              |
|---------------|-----------------|------------|-----------------|---|--------------|
| X9357TF-PSN-L | Phosphor Bronze | AWG#18-24  | 2.10mm(Max)     | Stamping Before Plating :30u" MIN, Ni:70u"Sn MIN. | X9357HM      |
| X9357TF-BSN-L | Brass           |            |                 |   |              |
| PART NO       | Material        | Wire Range | Insulation O.D. | Finish  | Suitable XKB |

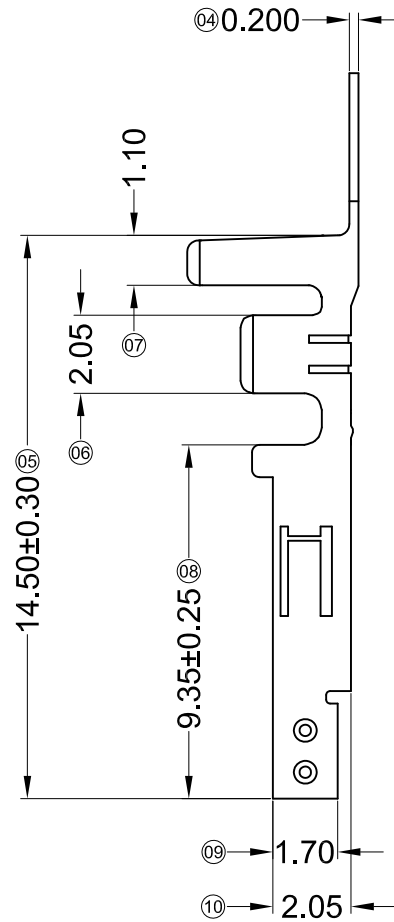
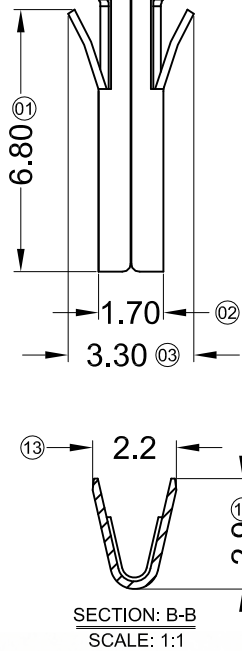
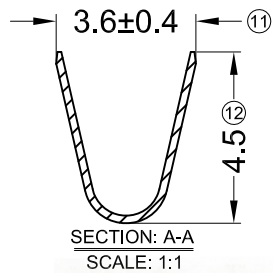
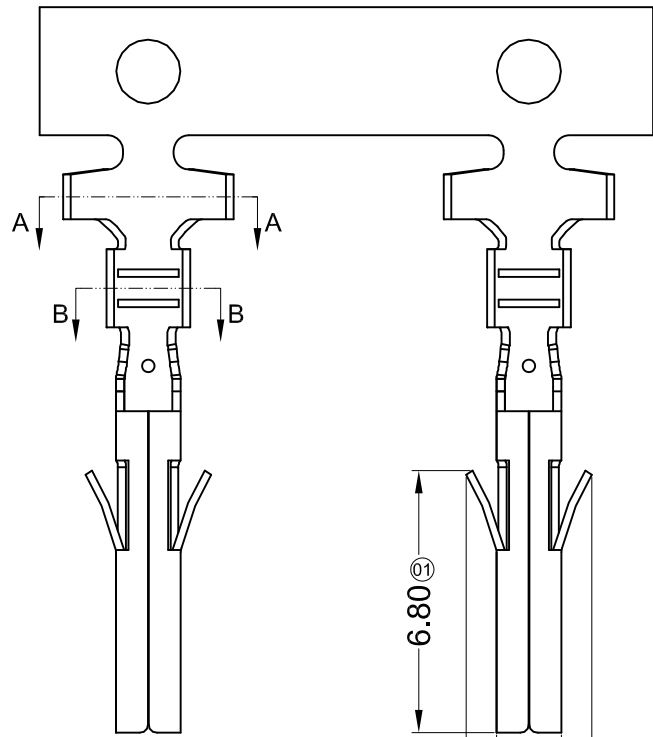
For and on behalf of  
**XKB INDUSTRIAL PRECISION CO., LIMITED**  
**香港星坤工業精密有限公司**

|      |             |      |         |          |                        |      |
|------|-------------|------|---------|----------|------------------------|------|
| △ X  |             |      |         |          | ANGULAR                | ±5°  |
| △ X  |             |      |         |          | L ≤ 4                  | ±0.2 |
| △ X  |             |      |         |          | 4 < L ≤ 16             | ±0.3 |
| △ X  |             |      |         |          | 16 < L ≤ 63            | ±0.4 |
| MARK | DESCRIPTION | DATE | REVISED | APPROVED | L > 63                 | ±0.5 |
|      |             |      |         |          | UNSPECIFIED TOLERANCES |      |

|      |  |      |  |            |                                |       |          |
|------|--|------|--|------------|--------------------------------|-------|----------|
| DSND |  | DATE |  | SCALE: N/A | MODEL TYPE:<br>X9357TF-XSN-L   |       |          |
| DWN  |  | DATE |  | VIEW:      | PART NO.:                      |       |          |
| CHKD |  | DATE |  | UNIT: mm   | 4.20 mm Crimp Style Connectors |       |          |
| APPD |  | DATE |  | SIZE: A4   | DWG NO.:                       |       |          |
|      |  |      |  |            | WEIGHT                         | SHEET | REVISION |
|      |  |      |  |            | 1.0g                           | 1/1   | A0       |

**XKB INDUSTRIAL PRECISION CO., LIMITED**

REVISIONS  
 Authorized Signature(s)



■ Specifications :

- Voltage rating: 600V AC / DC
- Current rating: 9A AC / DC
- Withstanding voltage: 1500V AC/minute
- Temperature range: -25°C~+85°C
- Insulation resistance: ≥1000MΩ
- Contact resistance: ≤10mΩ
- After environmental testing: ≤20mΩ

X9357 T F-X SN X-H

① ② ③ ④ ⑤ ⑥ ⑦

- ① Series Number
- ② Category: T-terminal
- ③ Shape: F-Female
- ④ Material: B-Brass; P-Phosphor Bronze
- ⑤ Plating style: SN-Bright tin plating
- ⑥ Plating method:  
Blank-Stamping before plating;
- ⑦ Special No: H-High Leads

|               |                 |            |                 |   |              |
|---------------|-----------------|------------|-----------------|---|--------------|
| X9357TF-PSN-H | Phosphor Bronze | AWG#16-24  | 3.10mm(Max)     | Stamping Before Plating :30u" MIN. Ni;70u"Sn MIN. | X9357HM      |
| X9357TF-BSN-H | Brass           |            |                 |   |              |
| PART NO       | Material        | Wire Range | Insulation O.D. | Finish  | Suitable XKB |

For and on behalf of  
**XKB INDUSTRIAL PRECISION CO., LIMITED**  
 香港星坤工業精密有限公司

|      |             |      |         |          |             |      |
|------|-------------|------|---------|----------|-------------|------|
| △ X  |             |      |         |          | ANGULAR     | ±5°  |
| △ X  |             |      |         |          | L ≤ 4       | ±0.2 |
| △ X  |             |      |         |          | 4 < L ≤ 16  | ±0.3 |
| △ X  |             |      |         |          | 16 < L ≤ 63 | ±0.4 |
| MARK | DESCRIPTION | DATE | REVISED | APPROVED | L > 63      | ±0.5 |

REVISIONS  
 Authorized Signature(s)

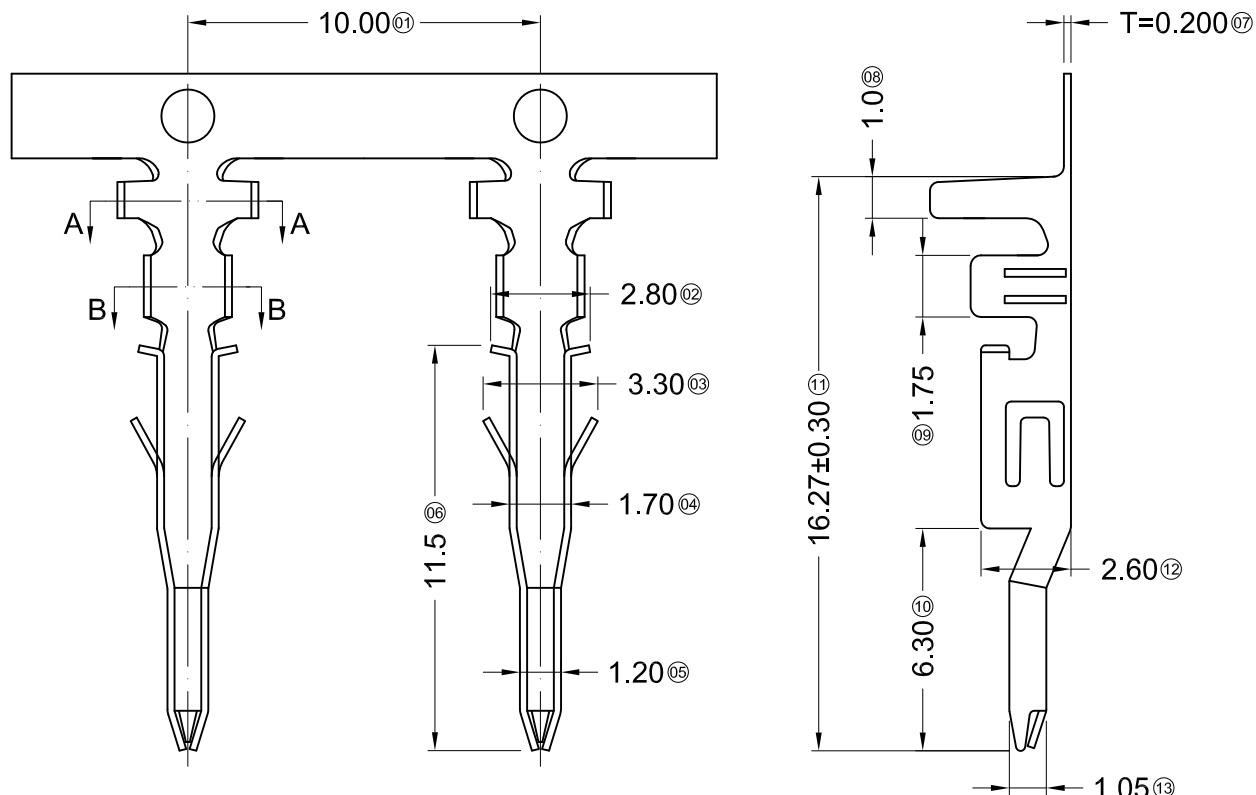
|      |  |      |  |            |                                |
|------|--|------|--|------------|--------------------------------|
| DSND |  | DATE |  | SCALE: N/A | MODEL TYPE:<br>X9357TF-XSN-H   |
| DWN  |  | DATE |  | VIEW:      | PART NO.:                      |
| CHKD |  | DATE |  | UNIT: mm   | 4.20 mm Crimp Style Connectors |
| APPD |  | DATE |  | SIZE: A4   | DWG NO.:                       |

**XKB INDUSTRIAL PRECISION CO., LIMITED**

|        |       |          |
|--------|-------|----------|
| WEIGHT | SHEET | REVISION |
| 1.0g   | 1/1   | A0       |



1 2 3 4 5 6 7 8



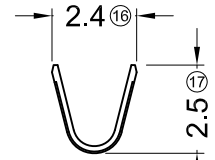
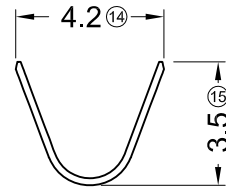
■ Specifications :

- Voltage rating: 600V AC / DC
- Current rating: 9A AC / DC
- Withstanding voltage: 1500V AC/minute
- Temperature range: -25°C~+85°C
- Insulation resistance: ≥1000MΩ
- Contact resistance: ≤10mΩ
- After environmental testing: ≤20mΩ

X9357 T M-X SN X-X

① ② ③ ④ ⑤ ⑥ ⑦

- ① Series No.
- ② Category: T-Terminal
- ③ Appearance type: M-Male Terminal
- ④ Material: B-Brass; P-Phosphor Bronze
- ⑤ Plating Style: SN-Bright Tin Plating
- ⑥ Plating Method :  
Blank-Stamping before Plating
- ⑦ Mold N0/MARK&Special N0



|             |                 |            |                 |  |              |
|-------------|-----------------|------------|-----------------|--|--------------|
| X9357TM-PSN | Phosphor Bronze | AWG#18-22  | 3.00mm(Max)     | Stamping Before Plating:30u" Ni;70u"Sn | x9357HF      |
| X9357TM-BSN | Brass           |            |                 |  |              |
| PART NO     | Material        | Wire Range | Insulation O.D. | Finish                                 | Suitable XKB |

For and on behalf of  
**XKB INDUSTRIAL PRECISION CO., LIMITED**  
 香港星坤工業精密有限公司

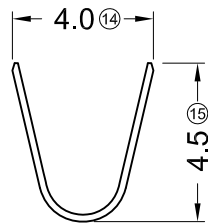
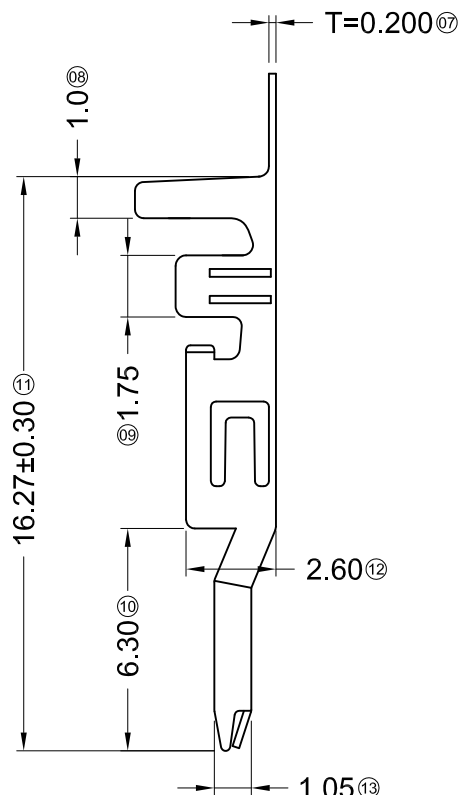
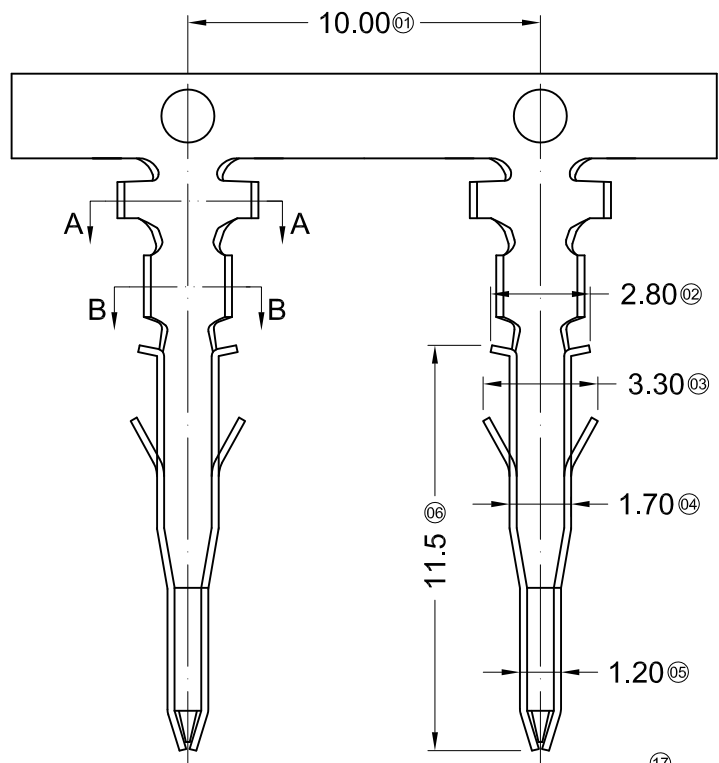
|      |             |      |         |          |                        |      |      |  |      |  |            |                                |
|------|-------------|------|---------|----------|------------------------|------|------|--|------|--|------------|--------------------------------|
| △ X  |             |      |         |          | ANGULAR                | ±5°  | DSND |  | DATE |  | SCALE: N/A | MODEL TYPE:<br>X9357TM-XSN     |
| △ X  |             |      |         |          | L ≤ 4                  | ±0.2 | DWN  |  | DATE |  | VIEW:      | PART NO.:                      |
| △ X  |             |      |         |          | 4 < L ≤ 16             | ±0.3 | CHKD |  | DATE |  | UNIT: mm   | 4.20 mm Crimp Style Connectors |
| MARK | DESCRIPTION | DATE | REVISED | APPROVED | 16 < L ≤ 63            | ±0.4 | APPD |  | DATE |  | SIZE: A4   | DWG NO.:                       |
|      |             |      |         |          | L > 63                 | ±0.5 |      |  |      |  |            | WEIGHT                         |
|      |             |      |         |          | UNSPECIFIED TOLERANCES |      |      |  |      |  |            | 1.0g                           |
|      |             |      |         |          |                        |      |      |  |      |  |            | SHEET                          |
|      |             |      |         |          |                        |      |      |  |      |  |            | 1/1                            |
|      |             |      |         |          |                        |      |      |  |      |  |            | REVISION                       |
|      |             |      |         |          |                        |      |      |  |      |  |            | A0                             |

REVISIONS  
 Authorized Signature(s)

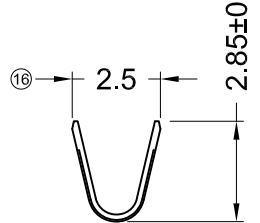
**XKB INDUSTRIAL PRECISION CO., LIMITED**

1 2 3 4 5 6 7 8

1 2 3 4 5 6 7 8



SECTION: A-A  
SCALE: 1:1



SECTION: B-B  
SCALE: 1:1

■ Specifications :

- Voltage rating: 600V AC / DC
- Current rating: 9A AC / DC
- Withstanding voltage: 1500V AC/minute
- Temperature range: -25°C~+85°C
- Insulation resistance: ≥1000MΩ
- Contact resistance: ≤10mΩ
- After environmental testing: ≤20mΩ

X9357 T M-B SN X-H

① ② ③ ④ ⑤ ⑥ ⑦

- ① Series No.
- ② Category: T-Terminal
- ③ Appearance type: M-Male Terminal
- ④ Material: B-Brass
- ⑤ Plating Style: SN-Bright Tin Plating
- ⑥ Plating Method :  
Blank-Stamping before Plating
- ⑦ H-High Crimp

|               |          |            |                 |  |              |
|---------------|----------|------------|-----------------|--|--------------|
| X9357TM-BSN-H | Brass    | AWG#16-22  | 3.10mm(Max)     | Stamping Before Plating:30u" Ni;70u"Sn | x9357HF      |
| PART NO       | Material | Wire Range | Insulation O.D. | Finish                                 | Suitable XKB |

For and on behalf of  
**XKB INDUSTRIAL PRECISION CO., LIMITED**  
香港星坤工業精密有限公司

|      |             |      |         |          |                        |      |
|------|-------------|------|---------|----------|------------------------|------|
| △ X  |             |      |         |          | ANGULAR                | ±5°  |
| △ X  |             |      |         |          | L ≤ 4                  | ±0.2 |
| △ X  |             |      |         |          | 4 < L ≤ 16             | ±0.3 |
| MARK | DESCRIPTION | DATE | REVISED | APPROVED | 16 < L ≤ 63            | ±0.4 |
|      |             |      |         |          | L > 63                 | ±0.5 |
|      |             |      |         |          | UNSPECIFIED TOLERANCES |      |

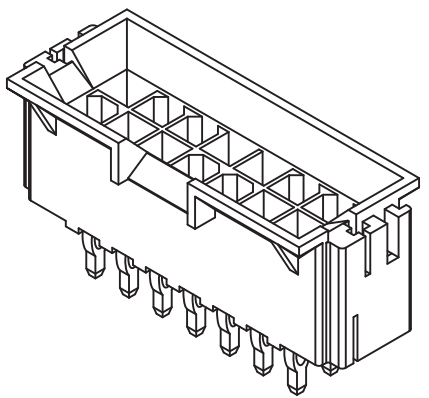
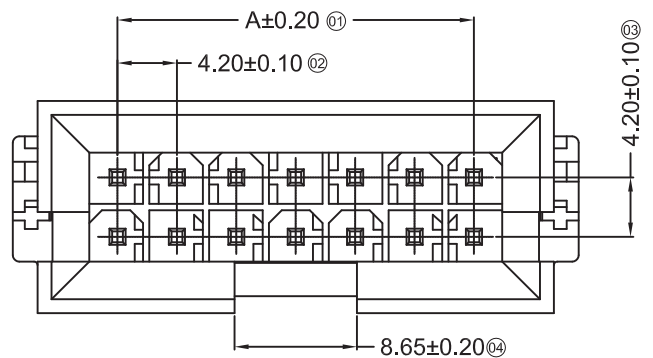
|      |  |      |  |            |                               |
|------|--|------|--|------------|-------------------------------|
| DSND |  | DATE |  | SCALE: N/A | MODEL TYPE:<br>X9357TM-BSN-H  |
| DWN  |  | DATE |  | VIEW:      | PART NO.:                     |
| CHKD |  | DATE |  | UNIT: mm   | 4.20 mm Crimp Style Connector |
| APPD |  | DATE |  | SIZE: A4   | DWG NO.:                      |
|      |  |      |  |            | WEIGHT                        |
|      |  |      |  |            | 1.0g                          |
|      |  |      |  |            | SHEET                         |
|      |  |      |  |            | 1/1                           |
|      |  |      |  |            | REVISION                      |
|      |  |      |  |            | A0                            |

REVISIONS  
Authorized Signature(s)

**XKB INDUSTRIAL PRECISION CO., LIMITED**

1 2 3 4 5 6 7 8

1 2 3 4 5 6 7 8

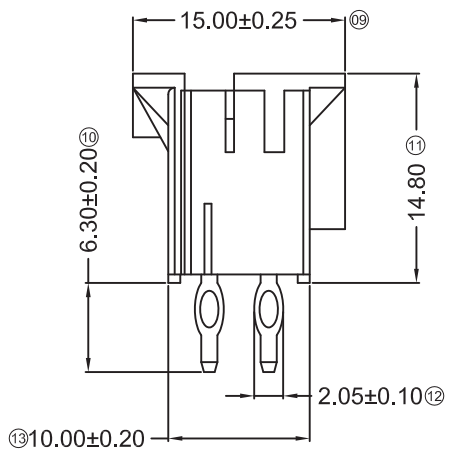
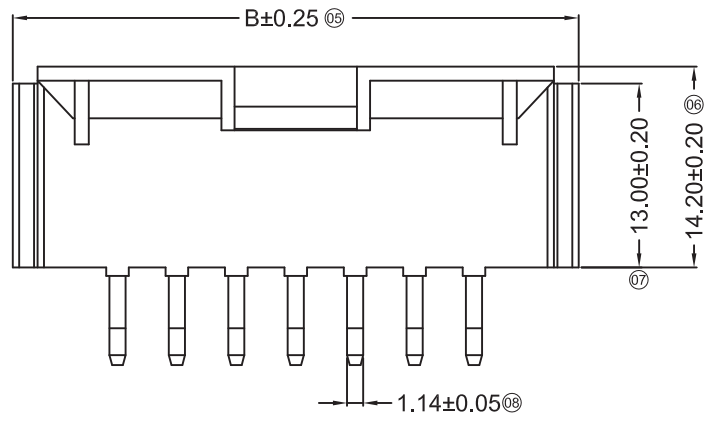


■ Specifications :

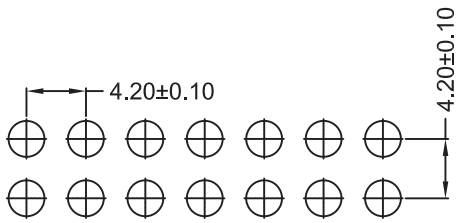
- Voltage rating: 600V AC / DC
- Current rating: 9A AC / DC
- Withstanding voltage: 1500V AC/minute
- Temperature range: -25°C~+85°C
- Insulation resistance: ≥1000MΩ
- Contact resistance: ≤10mΩ
- After environmental testing: ≤20mΩ

X9357 W V X-2\*XX B-XX SN XX  
 (1) (2) (3) (4) (5) (6) (7) (8) (9)

- (1) Series No.
- (2) Category: W-wafer
- (3) Welding Board Angle: V-180°
- (4) Welding Way: Blank-DIP ;
- (5) Row No.-Pin No.: 2\*XX-Double row
- (6) Special NO.
- B-Arrange ushering with positioning column
- (7) Material: N0-PA66 94V-0 ; N2-PA66 94V-2
- (8) Planting Category:  
 V:All Gold-Plated ; G:Gold-Plated Contact  
 S-Silver Plating ; \*01-Gold Flash ; \*02-2u" ; \*03-3u" ;  
 \*05-5u" ; \*10-10u" ; \*15-15u" ; \*30-30u" ; \*50-50u"  
 N-Plating Nickel 30u" ; SN-Bright tin plating 70u"  
 SW-Fog Tin plating
- (9) Color: Blank-natural color



| Poles | Dimensions (mm) |       |
|-------|-----------------|-------|
|       | A               | B     |
| 2x07  | 25.20           | 40.00 |
| 2x09  | 33.60           | 48.40 |
| 2x12  | 46.20           | 61.00 |



|                    |                   |                 |             |                       |
|--------------------|-------------------|-----------------|-------------|-----------------------|
| X9357WV-2*XXB-N0SN | Nylon 66 UL 94V-0 | Phorphos Bronze | Tin-Plated  | X9357HM-B             |
| X9357WV-2*XXB-N2SN | Nylon 66 UL 94V-2 | Phorphos Bronze | Tin-Plated  | X9357HM-B             |
| PART NO            | Material          | Material(Pin)   | Finish(Pin) | Suitable XKB Terminal |

For and on behalf of  
**XKB INDUSTRIAL PRECISION CO., LIMITED**  
 香港星坤工業精密有限公司

| MARK | DESCRIPTION | DATE | REVISED | APPROVED | UNSPECIFIED TOLERANCES | DSND | DATE | SCALE: N/A | MODEL TYPE:<br>X9357WV-2*XXB-XXSN |
|------|-------------|------|---------|----------|------------------------|------|------|------------|-----------------------------------|
| △ X  |             |      |         |          | ANGULAR ±5°            | DWN  | DATE | VIEW:      | PART NO.:                         |
| △ X  |             |      |         |          | L ≤ 4 ±0.2             | CHKD | DATE | UNIT: mm   | 4.20mm Crimp Style Connectors     |
| △ X  |             |      |         |          | 4 < L ≤ 16 ±0.3        | APPD | DATE | SIZE: A4   | DWG NO.:                          |
|      |             |      |         |          | 16 < L ≤ 63 ±0.4       |      |      |            |                                   |
|      |             |      |         |          | L > 63 ±0.5            |      |      |            |                                   |
|      |             |      |         |          |                        |      |      |            | WEIGHT 1.0g                       |
|      |             |      |         |          |                        |      |      |            | SHEET 1/1                         |
|      |             |      |         |          |                        |      |      |            | REVISION A0                       |

REVISIONS  
 Authorized Signature(s)

**XKB INDUSTRIAL PRECISION CO., LIMITED**

1 2 3 4 5 6 7 8

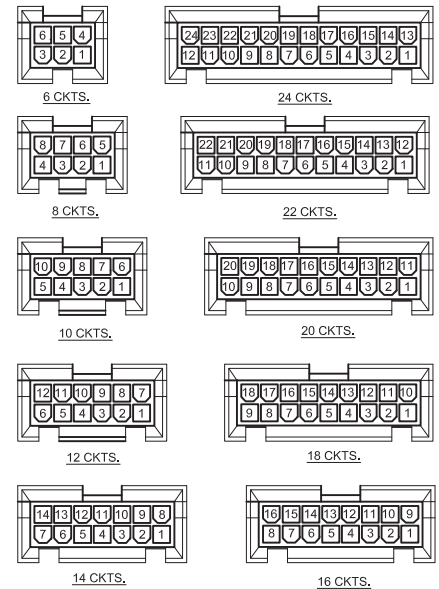
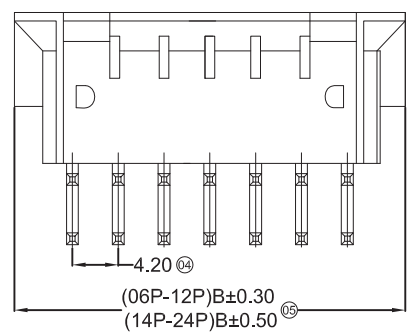
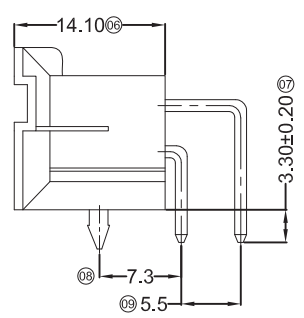
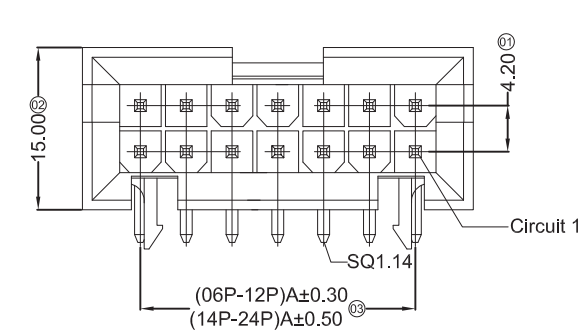
**Specifications :**

- Voltage rating: 600V AC / DC
- Current rating: 9A AC / DC
- Withstanding voltage: 1500V AC/minute
- Temperature range: -25°C~+85°C
- Insulation resistance: ≥1000MΩ
- Contact resistance: ≤10mΩ
- After environmental testing: ≤20mΩ

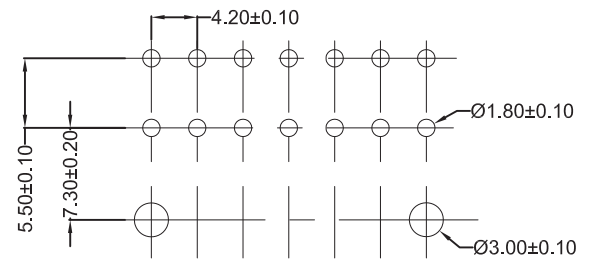
X9357 W R X-2\*XX B-XX SN XX  
① ② ③ ④ ⑤ ⑥ ⑦ ⑧ ⑨

- ① Series No.
- ② Category: W-wafer
- ③ Welding Board Angle: R- Right Angle 90°
- ④ Welding Way: Blank-DIP
- ⑤ Row No.-Pin No.: 2\*XX-2\*03P~2\*12P
- ⑥ Plug the Pin & Special No.:  
B-Arrange ushering with positioning column
- ⑦ Material: N0-PA66 94V-0 ;N2-PA66 94V-2
- ⑧ Plating Category: SN-Bright tin plating ;
- ⑨ Color: Blank-natural color

| Poles | Dimensions(mm) |       |
|-------|----------------|-------|
|       | A              | B     |
| 2*03  | 8.40           | 19.20 |
| 2*04  | 12.60          | 23.40 |
| 2*05  | 16.80          | 27.60 |
| 2*06  | 21.00          | 31.80 |
| 2*07  | 25.20          | 36.00 |
| 2*08  | 29.40          | 40.20 |
| 2*09  | 33.60          | 44.40 |
| 2*10  | 37.80          | 48.60 |
| 2*11  | 42.00          | 52.80 |
| 2*12  | 46.20          | 57.00 |



KEY HOLD CIRCUIT SIZE LAYOUT

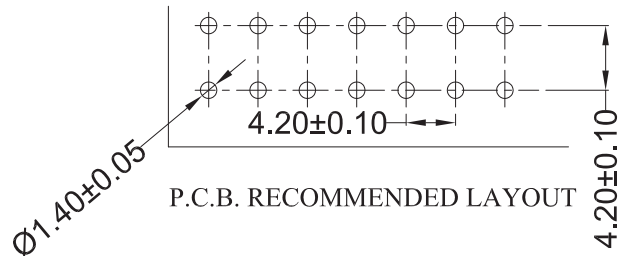
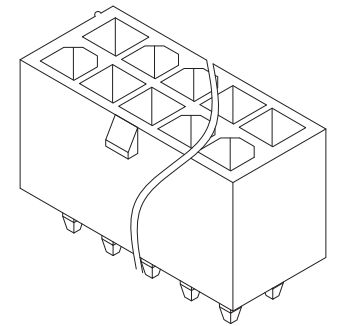
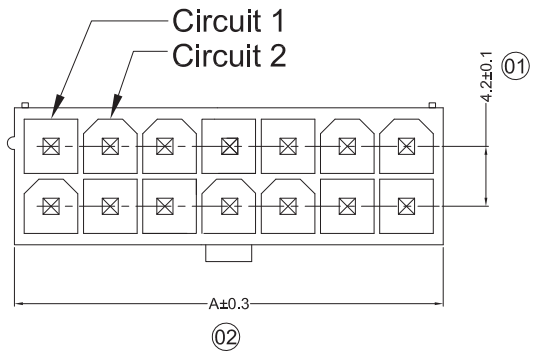


P.C.B LAYOUT

|                    |                   |               |             |                       |
|--------------------|-------------------|---------------|-------------|-----------------------|
| X9357WR-2*XXB-N0SN | Nylon 66 UL 94V-0 | Brass         | Tin-Plated  | X9357HM-B             |
| X9357WR-2*XXB-N2SN | Nylon 66 UL 94V-2 |               |             |                       |
| PART NO            | Material          | Material(Pin) | Finish(Pin) | Suitable XKB Terminal |

For and on behalf of  
**XKB INDUSTRIAL PRECISION CO., LIMITED**  
**香港星坤工業精密有限公司**

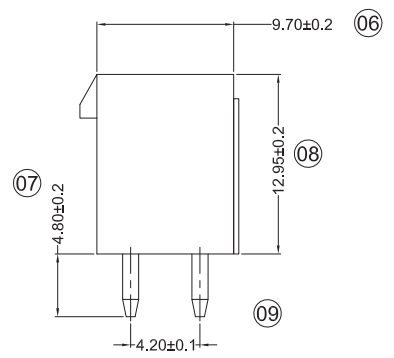
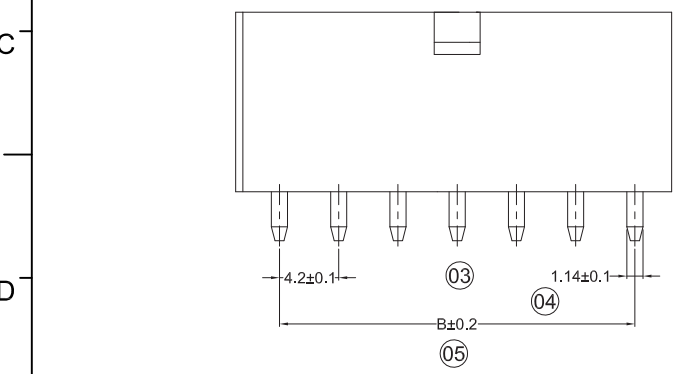
|      |                         |      |         |          |                        |      |  |      |            |                                   |       |          |
|------|-------------------------|------|---------|----------|------------------------|------|--|------|------------|-----------------------------------|-------|----------|
| △ X  | DESCRIPTION             | DATE | REVISED | APPROVED | ANGULAR                | ±5°  | DSND   | DATE | SCALE: N/A | MODEL TYPE:<br>X9357WR-2*XXB-XXSN |       |          |
| △ X  |                         |      |         |          | L ≤ 4                  | ±0.2 | DWN  | DATE | VIEW:      | PART NO.:                         |       |          |
| △ X  |                         |      |         |          | 4 < L ≤ 16             | ±0.3 | CHKD   | DATE | UNIT: mm   | 4.20mm Crimp Style Connectors     |       |          |
| MARK |                         |      |         |          | 16 < L ≤ 63            | ±0.4 | APPD   | DATE | SIZE: A4   | DWG NO.:                          |       |          |
|      | REVISIONS               |      |         |          | L > 63                 | ±0.5 |  |      |            |                                   |       |          |
|      | Authorized Signature(s) |      |         |          | UNSPECIFIED TOLERANCES |      | <b>XKB INDUSTRIAL PRECISION CO., LIMITED</b> |      |            | WEIGHT                            | SHEET | REVISION |
|      |                         |      |         |          |                        |      |  |      |            | 1.0g                              | 1/1   | A0       |



P.C.B. RECOMMENDED LAYOUT

**Specifications :**

- Voltage rating: 600V AC / DC
- Current rating: 9A AC / DC
- Withstanding voltage: 1500V AC/minute
- Temperature range: -25°C~+85°C
- Insulation resistance: ≥100MΩ
- Contact resistance: ≤10mΩ
- After environmental testing: ≤20mΩ



X9357 W V X-2\*XX S1- XX XX XX

- ① Series No.
- ② Category: W-wafer
- ③ Welding Board Angle: V-180°
- ④ Welding Way: Blank-DIP
- ⑤ Row No.-Pin No. 2\*XX-Double row
- ⑥ Plug the Pin & Special NO. S1-DIP=4.80
- ⑦ Material: N0-PA66 94V-0 ; N2-PA66 94V-2
- ⑧ Planting Category: V:All Gold-Plated \*01-Gold Flash SN-Bright tin plating 70u" SW-Fog Tin plating
- ⑨ Color: Blank-natural color

| Poles | Dimensions (m) |       |
|-------|----------------|-------|
|       | A              | B     |
| 2     | 5.60           | -     |
| 4     | 9.80           | 4.2   |
| 6     | 14.00          | 8.40  |
| 8     | 18.20          | 12.60 |
| 10    | 22.40          | 16.80 |
| 12    | 26.60          | 21.00 |
| 14    | 30.80          | 25.20 |
| 16    | 35.00          | 29.40 |
| 18    | 39.20          | 33.60 |
| 20    | 43.40          | 37.80 |
| 22    | 47.60          | 42.00 |
| 24    | 51.80          | 46.20 |

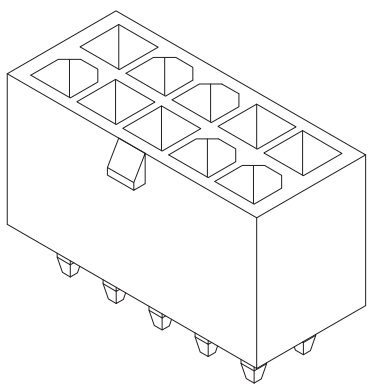
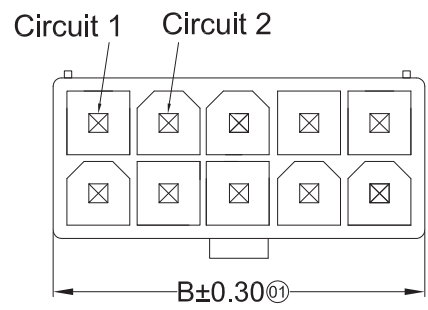
|                      |                   |                          |            |        |
|----------------------|-------------------|--------------------------|------------|--------|
| X9357WV-2*XXS1-N0V01 | Nylon 66 UL 94V-0 | Brass Or Phosphor Bronze | Gold-Flash | X9357H |
| X9357WV-2*XXS1-N0SN  | Nylon 66 UL 94V-0 | Brass Or Phosphor Bronze | Tin-Plated |        |
| X9357WV-2*XXS1-N2V01 | Nylon 66 UL 94V-2 | Brass Or Phosphor Bronze | Gold-Flash |        |
| X9357WV-2*XXS1-N2SN  | Nylon 66 UL 94V-2 | Brass Or Phosphor Bronze | Tin-Plated |        |

|  |                         |              |                        |
|--|-------------------------|--------------|------------------------|
| PART NO  | Material                | Finish (Pin) | Suitable XKB Terminal  |
| <b>and on behalf of</b><br><b>XKB INDUSTRIAL PRECISION CO., LIMITED</b><br><b>香港星坤工業精密有限公司</b> |                         |              |                        |
| △ X  | DESCRIPTION             | DATE         | REVISED                |
| △ X  | REVISIONS               | APPROVED     | UNSPECIFIED TOLERANCES |
| △ X  | Authorized Signature(s) |              |                        |

|  |      |            |
|--|------|------------|
| DSND   | DATE | SCALE: N/A |
| DWN  | DATE | VIEW:      |
| CHKD   | DATE | UNIT: mm   |
| APPD   | DATE | SIZE: A4   |
| <b>XKB INDUSTRIAL PRECISION CO., LIMITED</b> |      |            |

|             |                                |          |
|-------------|--------------------------------|----------|
| MODEL TYPE: | X9357WV-2*XXS1-XXXX            |          |
| PART NO.:   | 4.20 mm Crimp Style Connectors |          |
| DWG NO.:    |                                |          |
| WEIGHT      | SHEET                          | REVISION |
| 1.0g        | 1/1                            | A0       |

1 2 3 4 5 6 7 8

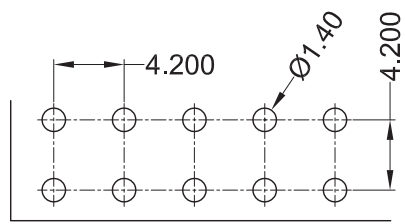
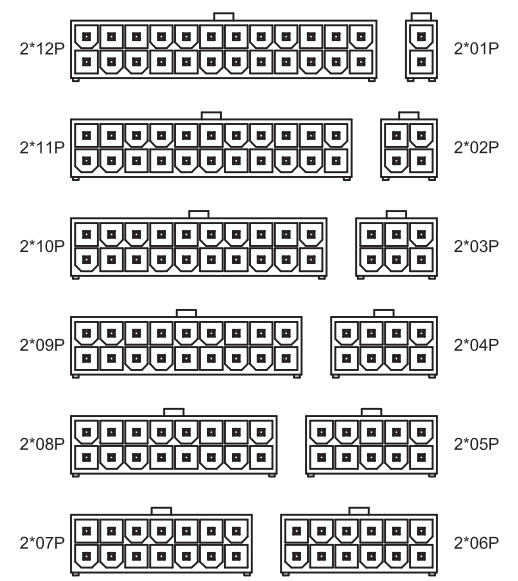
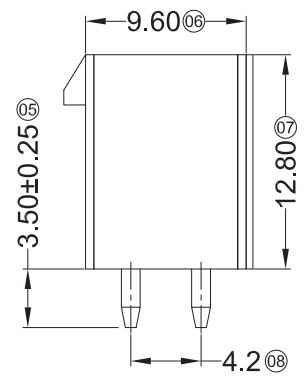
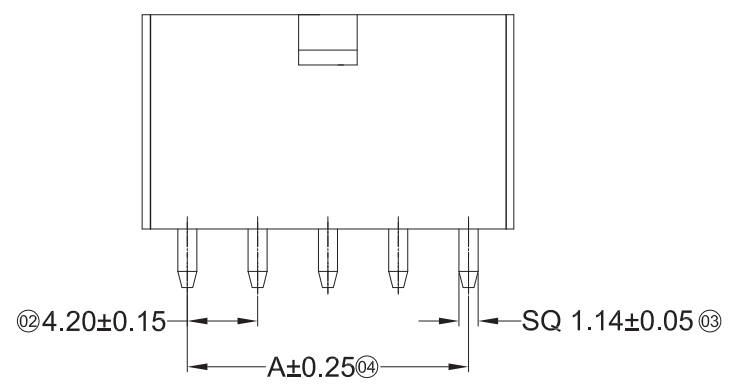


**Specifications :**

- Voltage rating: 600V AC / DC
- Current rating: 9A AC / DC
- Withstanding voltage: 1500V AC/minute
- Temperature range: -25°C~+85°C
- Insulation resistance: ≥100MΩ
- Contact resistance: ≤10mΩ
- After environmental testing: ≤20mΩ

X9357 W V X-2\*XX D-XX XX XX  
① ② ③ ④ ⑤ ⑥ ⑦ ⑧ ⑨

- ① Series No.
- ② Category: W-WAFER
- ③ Welding Board Angle: V- Stright 180° ;
- ④ Welding Way: Blank-DIP
- ⑤ Row No.-Pin No.: 2\*XX-2\*01P~2\*12P
- ⑥ Plug the Pin & Special No.:  
D-Without gluten; F-Halogen Free
- ⑦ Material: N2-PA66 94V-2
- ⑧ Plating Category: SN-Bright Tin Plating ;  
V01-Gold Flash
- ⑨ Color : Blank-Natural Color; BK-Black;  
GY-Gray; RE-Red



Recommended P.C.B Layout  
General Tolerance±0.05

| Poles | Dimensions (mm) |       | Poles | Dimensions (mm) |       |
|-------|-----------------|-------|-------|-----------------|-------|
|       | A               | B     |       | A               | B     |
| 2*01  | --              | 5.40  | 2*07  | 25.20           | 30.60 |
| 2*02  | 4.20            | 9.60  | 2*08  | 29.40           | 34.80 |
| 2*03  | 8.40            | 13.80 | 2*09  | 33.60           | 39.00 |
| 2*04  | 12.60           | 18.00 | 2*10  | 37.80           | 43.20 |
| 2*05  | 16.80           | 22.20 | 2*11  | 42.00           | 47.40 |
| 2*06  | 21.00           | 26.40 | 2*12  | 46.20           | 51.60 |

|                       |                                  |               |             |                       |
|-----------------------|----------------------------------|---------------|-------------|-----------------------|
| X9357WV-2*XXDF-N2SNXX | Nylon 66 UL 94V-2 (Halogen Free) | Brass         | Tin-Plated  | X9357H                |
| X9357WV-2*XXD-N2V01XX | Nylon 66 UL 94V-2                |               | Gold-Flash  |                       |
| X9357WV-2*XXD-N2SNXX  | Nylon 66 UL 94V-2                |               | Tin-Plated  |                       |
| PART N0               | Material                         | Material(Pin) | Finish(Pin) | Suitable XKB Terminal |

For and on behalf of  
**XKB INDUSTRIAL PRECISION CO., LIMITED**  
香港星坤工業精密有限公司

|      |      |            |                                    |
|------|------|------------|------------------------------------|
| DSND | DATE | SCALE: N/A | MODEL TYPE:<br>X9357WV-2*XXDX-XXXX |
| DWN  | DATE | VIEW:      | PART NO.:                          |
| CHKD | DATE | UNIT: mm   | 4.20 mm Crimp Style Connectors     |
| APPD | DATE | SIZE: A4   | DWG NO.:                           |
|      |      | WEIGHT     | SHEET                              |
|      |      | 1.0g       | 1/1                                |
|      |      | REVISION   | A0                                 |

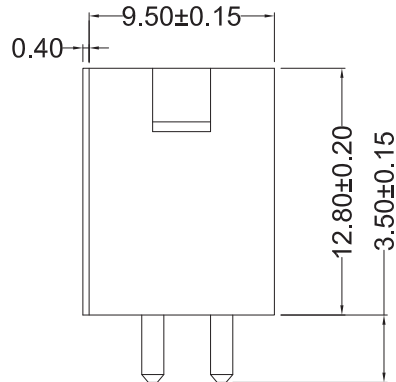
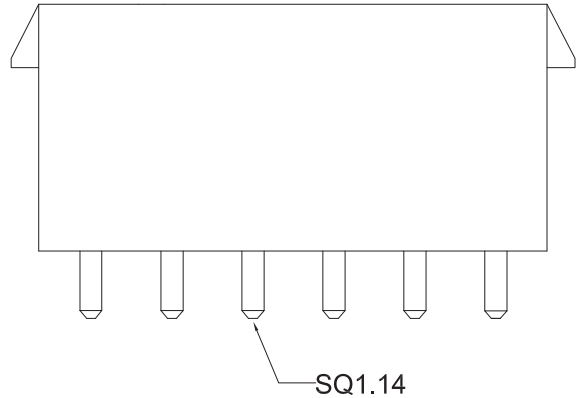
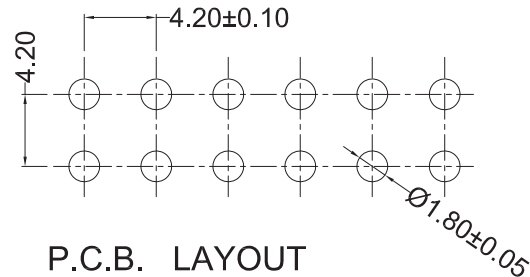
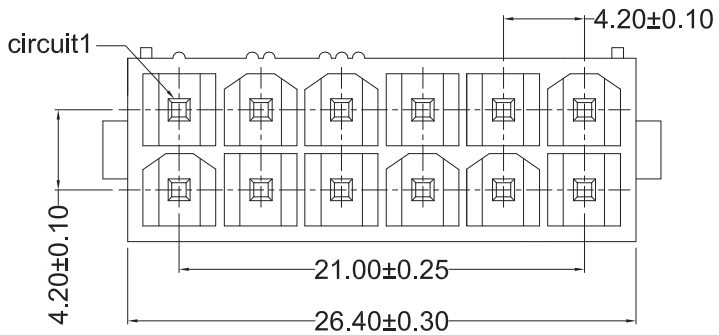
|      |             |      |         |          |                        |      |
|------|-------------|------|---------|----------|------------------------|------|
| △ X  |             |      |         |          | ANGULAR                | ±5°  |
| △ X  |             |      |         |          | L ≤ 4                  | ±0.2 |
| △ X  |             |      |         |          | 4 < L ≤ 16             | ±0.3 |
| MARK | DESCRIPTION | DATE | REVISED | APPROVED | 16 < L ≤ 63            | ±0.4 |
|      |             |      |         |          | L > 63                 | ±0.5 |
|      |             |      |         |          | UNSPECIFIED TOLERANCES |      |

REVISIONS  
Authorized Signature(s)

**XKB INDUSTRIAL PRECISION CO., LIMITED**

1 2 3 4 5 6 7 8





**Specifications :**

- Voltage rating: 600V AC / DC
- Current rating: 9A AC / DC
- Withstanding voltage: 1500V AC/minute
- Temperature range: -25°C~+85°C
- Insulation resistance: ≥1000MΩ
- Contact resistance: ≤10mΩ
- After environmental testing: ≤20mΩ

X9357 W V X-2\*XXA-XX SN XX  
 ① ② ③ ④ ⑤ ⑥ ⑦ ⑧ ⑨

- ① Series No.
- ② Category:  
W-wafer
- ③ Welding Board Angle:  
V-180°
- ④ Welding Way:  
Blank-DIP ;
- ⑤ Row No.-Pin No.  
2\*XX-Double row
- ⑥ Special NO.  
A-On both sides of hook
- ⑦ Material:  
N0-PA66 94V-0 ; N2-PA66 94V-2
- ⑧ Planting Category:  
V:All Gold-Plated  
G:Gold-Plated Contact  
\*01-1u" ; \*02-2u" ; \*03-3u" ; \*05-5u"  
\*10-10u" ; \*15-15u" ; \*30-30u" ; \*50-50u"  
N-Plating Nickel 30u" ; SN-Bright tin plating 70u"  
SW-Fog Tin plating
- ⑨ Color:  
Blank-natural color

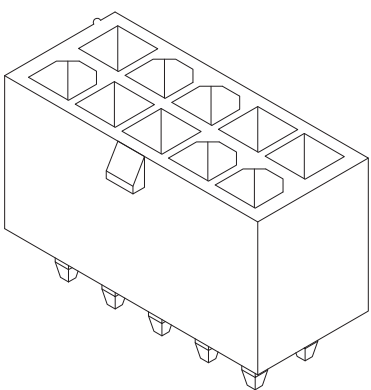
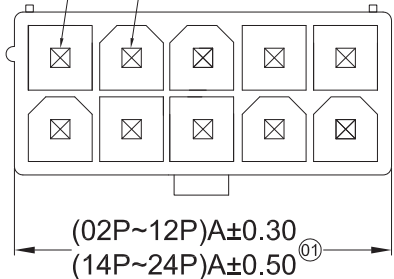
|                    |                   |               |             |                       |
|--------------------|-------------------|---------------|-------------|-----------------------|
| X9357WV-2*06A-N2SN | Nylon 66 UL 94V-2 | Brass         | Tin-Plated  | X9357H                |
| PART NO            | Material          | Material(Pin) | Finish(Pin) | Suitable XKB Terminal |

For and on behalf of  
**XKB INDUSTRIAL PRECISION CO., LIMITED**  
**香港星坤工業精密有限公司**

|                         |             |      |         |          |             |      |                        |  |      |  |            |                                   |          |
|-------------------------|-------------|------|---------|----------|-------------|------|------------------------|--|------|--|------------|-----------------------------------|----------|
| △ X                     | DESCRIPTION | DATE | REVISED | APPROVED | ANGULAR     | ±5°  | DSND                   |  | DATE |  | SCALE: N/A | MODEL TYPE:<br>X9357WV-2*06A-N2SN |          |
|                         |             |      |         |          | L ≤ 4       | ±0.2 | DWN                    |  | DATE |  | VIEW:      | PART NO.:                         |          |
|                         |             |      |         |          | 4 < L ≤ 16  | ±0.3 | CHKD                   |  | DATE |  | UNIT: mm   | 4.20mm Crimp Style connectors     |          |
|                         |             |      |         |          | 16 < L ≤ 63 | ±0.4 | APPD                   |  | DATE |  | SIZE: A4   | DWG NO.:                          |          |
| MARK                    |             |      |         |          | L > 63      | ±0.5 | UNSPECIFIED TOLERANCES |  |      | <b>XKB INDUSTRIAL PRECISION CO., LIMITED</b> |            |                                   |          |
| REVISIONS               |             |      |         |          |             |      |                        |  |      |  | WEIGHT     | SHEET                             | REVISION |
| Authorized Signature(s) |             |      |         |          |             |      |                        |  |      |  | 1.0g       | 1/1                               | A0       |

1 2 3 4 5 6 7 8

Circuit 1    Circuit 2

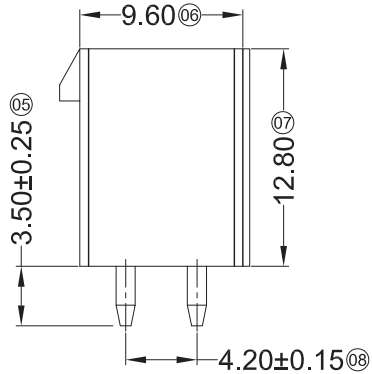
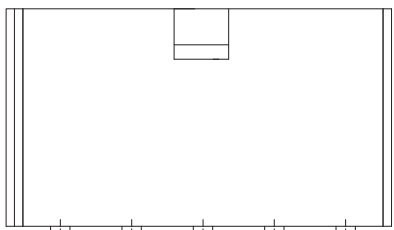


**Specifications :**

- Voltage rating: 600V AC / DC
- Current rating: 9A AC / DC
- Withstanding voltage: 1500V AC/minute
- Temperature range: -25°C~+85°C
- Insulation resistance: ≥100MΩ
- Contact resistance: ≤10mΩ
- After environmental testing: ≤20mΩ

X9357 W V X-2\*XX X-XX XX XX  
① ② ③ ④ ⑤ ⑥ ⑦ ⑧ ⑨

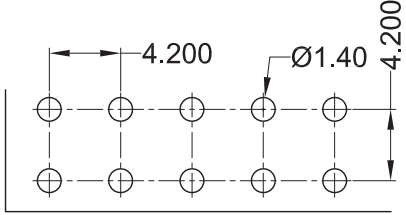
- ① Series No.
- ② Category: W-WAFER
- ③ Welding Board Angle: V- Stright 180° ;
- ④ Welding Way: Blank-DIP
- ⑤ Row No.-Pin No.: 2\*XX-2\*01P~2\*12P
- ⑥ Plug the Pin & Special No.:  
G-JoinThe glass fiber 15%
- ⑦ Material: N0-PA66 94V-0 ; N2-PA66 94V-2  
9T-PA9T 94V-0 ; 46-PA46 94V-0
- ⑧ Plating Category: SN-Bright Tin Plating
- ⑨ Color : Blank-Natural Color BK-Black GY-Gray



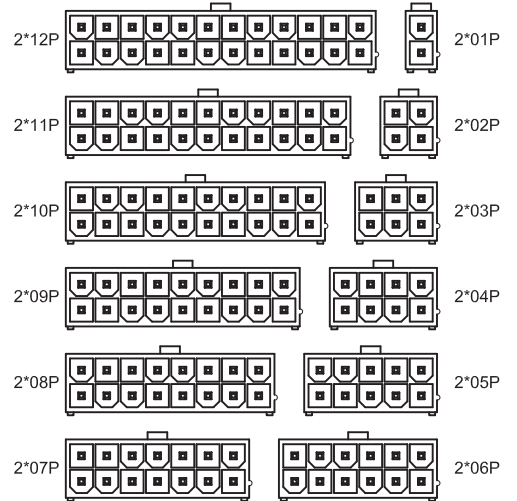
②4.20±0.15

SQ 1.14±0.05 ③

(02P~12P)B±0.30  
(14P~24P)B±0.50



Recommended P.C.B Layout  
General Tolerance±0.05



| Poles | Dimensions (mm) |       | Poles | Dimensions (mm) |       |
|-------|-----------------|-------|-------|-----------------|-------|
|       | A               | B     |       | A               | B     |
| 2*01  | 5.40            | --    | 2*07  | 30.60           | 25.20 |
| 2*02  | 9.60            | 4.20  | 2*08  | 34.80           | 29.40 |
| 2*03  | 13.80           | 8.40  | 2*09  | 39.00           | 33.60 |
| 2*04  | 18.00           | 12.60 | 2*10  | 43.20           | 37.80 |
| 2*05  | 22.20           | 16.80 | 2*11  | 47.40           | 42.00 |
| 2*06  | 26.40           | 21.00 | 2*12  | 51.60           | 46.20 |

| PART NO             | Material                   | Material(Pin) | Finish(Pin) | Suitable XKB Terminal |
|---------------------|----------------------------|---------------|-------------|-----------------------|
| X9357WV-2*XX-9TSW   | Nylon 9T UL 94V-0          | Brass         | Matte tin   | X9357H                |
| X9357WV-2*XX-N2V01  | Nylon 66 UL 94V-2          | Brass         | Gold-Flash  |                       |
| X9357WV-2*XX-N2SN   | Nylon 66 UL 94V-2          | Brass         | Tin-Plated  |                       |
| X9357WV-2*XXG-N2V01 | Nylon 66 UL 94V-2<br>GF15% | Brass         | Gold-Flash  |                       |
| X9357WV-2*XXG-N2SN  | Nylon 66 UL 94V-2<br>GF15% | Brass         | Tin-Plated  |                       |
|                     |                            |               |             |                       |

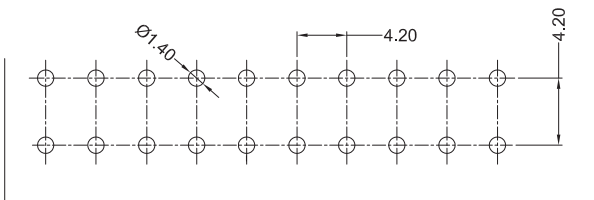
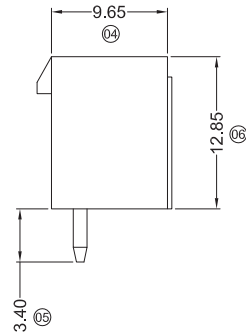
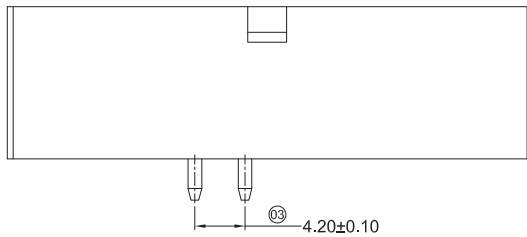
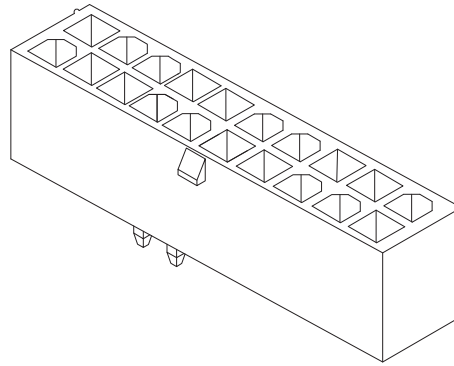
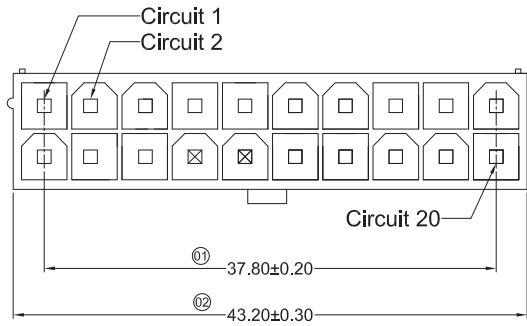
For and on behalf of  
**XKB INDUSTRIAL PRECISION CO., LIMITED**  
香港星坤工業精密有限公司

Authorized Signature(s)

|      |      |            |                                   |
|------|------|------------|-----------------------------------|
| DSND | DATE | SCALE: N/A | MODEL TYPE:<br>X9357WV-2*XXX-XXXX |
| DWN  | DATE | VIEW:      | PART NO.:                         |
| CHKD | DATE | UNIT: mm   | 4.20 mm Crimp Style Connectors    |
| APPD | DATE | SIZE: A4   | DWG NO.:                          |
|      |      |            | WEIGHT<br>1.0g                    |
|      |      |            | SHEET<br>1/1                      |
|      |      |            | REVISION<br>A0                    |

**XKB INDUSTRIAL PRECISION CO., LIMITED**

1 2 3 4 5 6 7 8



P.C.B LAYOUT

■ Specifications :

- Voltage rating:600V AC / DC
- Current rating: 9A AC / DC
- Withstanding voltage: 1500V AC/minute
- Temperature range: -25°C~+85°C
- Insulation resistance:≥1000MΩ
- Contact resistance: ≤10mΩ
- After environmental testing: ≤20mΩ

X9357 W V X-2\*XX NV18-N2 SN XX

① ② ③ ④ ⑤ ⑥ ⑦ ⑧ ⑨

- ① Series No
- ② Category: W-WAFER
- ③ Welding Board Angle: V-180° ; R-90°
- ④ Welding Way: Blank-DIP ; S-SMT ;  
W-Male and Female conjoined
- ⑤ Row No.-Pin No.: XX-Single Row ; 2\*XX-Double Row
- ⑥ Special No.: NV18-Lack of 1-13PIN, 16PIN-20PIN
- ⑦ Material: 6T-PA6T 9T-PA9T 46-PA46 LP-LCP PT-PBT  
N0-PA66 94V-0 N2-PA66 94V-2 TS-Other
- ⑧ Plating Category: G\*\*-Gold Plated Contact  
V\*\*- All Gold-Plated  
S\*\*-Silver Plated  
01-Gold Flash 02-2u" 03-3u" 05-5u"  
10-10u" 15-15u" 30-30u" 50-50u"  
N-Nickel Plated(30-50u")  
SN-Bright Tin Plating (70u")  
SN1-Bright Tin Plating (120u" Min).  
SW- Fog Tin Plating  
HS-Hight temperature Tin
- ⑨ Color : Blank-Natural Color  
BK-black ; BR-brown ; RE-red ;  
OR-orange ; YE-yellow ; GR-green ; BL-blue ;  
PR-purple ; GY-gray ; WH-white ; BE-beige  
BN-Coffee ; LB-light blue ; RD-Dark red ;TS-other

|                       |                   |               |             |                       |
|-----------------------|-------------------|---------------|-------------|-----------------------|
| X9357WV-2*10NV18-N2SN | Nylon 66 UL 94V-2 | Brass         | Tin-Plated  | X9357H                |
| PART NO               | Material          | Material(Pin) | Finish(Pin) | Suitable XKB Terminal |

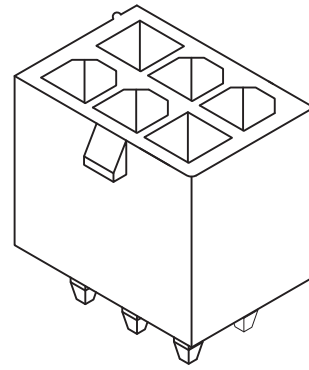
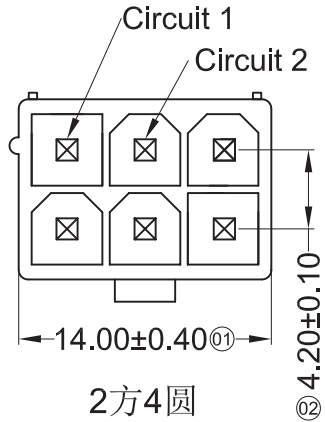
For and on behalf of  
**XKB INDUSTRIAL PRECISION CO., LIMITED**  
**香港星坤工業精密有限公司**

Authorized Signature(s)

|                                       |      |            |                                      |
|---------------------------------------|------|------------|--------------------------------------|
| DSND                                  | DATE | SCALE: N/A | MODEL TYPE:<br>X9357WV-2*10NV18-N2SN |
| DWN                                   | DATE | VIEW:      | PART NO.:                            |
| CHKD                                  | DATE | UNIT: mm   | 4.20mm Crimp Style Connectors        |
| APPD                                  | DATE | SIZE: A4   | DWG NO.:                             |
| UNSPECIFIED TOLERANCES                |      | WEIGHT     | SHEET                                |
|                                       |      | 1.0g       | 1/1                                  |
| XKB INDUSTRIAL PRECISION CO., LIMITED |      | REVISION   | A0                                   |

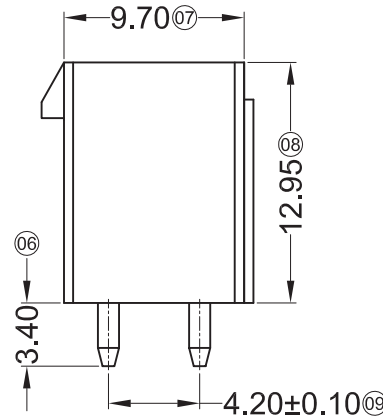
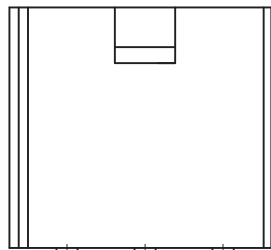
|      |             |      |         |          |             |      |
|------|-------------|------|---------|----------|-------------|------|
| △ X  | DESCRIPTION | DATE | REVISED | APPROVED | ANGULAR     | ±5°  |
| △ X  |             |      |         |          | L ≤ 4       | ±0.2 |
| △ X  |             |      |         |          | 4 < L ≤ 16  | ±0.3 |
| MARK |             |      |         |          | 16 < L ≤ 63 | ±0.4 |
|      |             |      |         |          | L > 63      | ±0.5 |





**Specifications :**

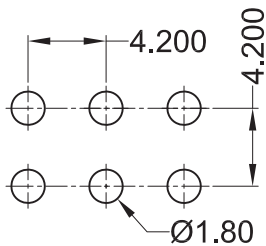
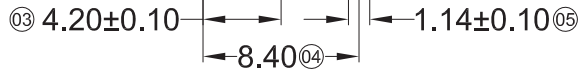
- Voltage rating: 600V AC / DC
- Current rating: 9A AC / DC
- Withstanding voltage: 1500V AC/minute
- Temperature range: -25°C~+85°C
- Insulation resistance: ≥1000MΩ
- Contact resistance: ≤10mΩ
- After environmental testing: ≤20mΩ



X9357 W V X-2\*03 A-XX XX XX

① ② ③ ④ ⑤ ⑥ ⑦ ⑧ ⑨

- ① Series No.
- ② Category: W-WAFER
- ③ Welding Board Angle: V- Stright 180° ;
- ④ Welding Way: Blank-DIP
- ⑤ Row No.-Pin No.: 2\*03-2\*03P
- ⑥ Plug the Pin & Special No.: A-2方4圆
- ⑦ Material: N0-PA66 94V-0 ; N2-PA66 94V-2
- ⑧ Plating Category: SN-Bright Tin Plating;V01-Gold Flash
- ⑨ Color : Blank-Natural Color



Recommended P.C.B Layout  
General Tolerance±0.05

|                     |                   |               |             |                       |
|---------------------|-------------------|---------------|-------------|-----------------------|
| X9357WV-2*03A-N0V01 | Nylon 66 UL 94V-0 | Brass         | Gold-Flash  | X9357H                |
| X9357WV-2*03A-N0SN  | Nylon 66 UL 94V-0 |               | Tin-Plated  |                       |
| X9357WV-2*03A-N2V01 | Nylon 66 UL 94V-2 |               | Gold-Flash  |                       |
| X9357WV-2*03A-N2SN  | Nylon 66 UL 94V-2 |               | Tin-Plated  |                       |
| PART NO             | Material          | Material(Pin) | Finish(Pin) | Suitable XKB Terminal |

For and on behalf of  
**XKB INDUSTRIAL PRECISION CO., LIMITED**  
香港星坤工業精密有限公司

|      |             |      |         |          |                        |      |  |  |      |            |                                   |              |                |
|------|-------------|------|---------|----------|------------------------|------|--|--|------|------------|-----------------------------------|--------------|----------------|
| △ X  |             |      |         |          | ANGULAR                | ±5°  | DSND   |  | DATE | SCALE: N/A | MODEL TYPE:<br>X9357WV-2*03A-XXXX |              |                |
| △ X  |             |      |         |          | L ≤ 4                  | ±0.2 | DWN  |  | DATE | VIEW:      | PART NO.:                         |              |                |
| △ X  |             |      |         |          | 4 < L ≤ 16             | ±0.3 | CHKD   |  | DATE | UNIT: mm   | 4.20 mm Crimp Style Connectors    |              |                |
| MARK | DESCRIPTION | DATE | REVISED | APPROVED | 16 < L ≤ 63            | ±0.4 | APPD   |  | DATE | SIZE: A4   | DWG NO.:                          |              |                |
|      |             |      |         |          | L > 63                 | ±0.5 |  |  |      |            |                                   |              |                |
|      |             |      |         |          | UNSPECIFIED TOLERANCES |      | <b>XKB INDUSTRIAL PRECISION CO., LIMITED</b> |  |      |            | WEIGHT<br>1.0g                    | SHEET<br>1/1 | REVISION<br>A0 |

REVISIONS  
Authorized Signature(s)

1 2 3 4 5 6 7 8

A

B

C

D

E

F

A

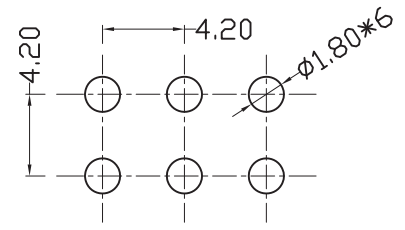
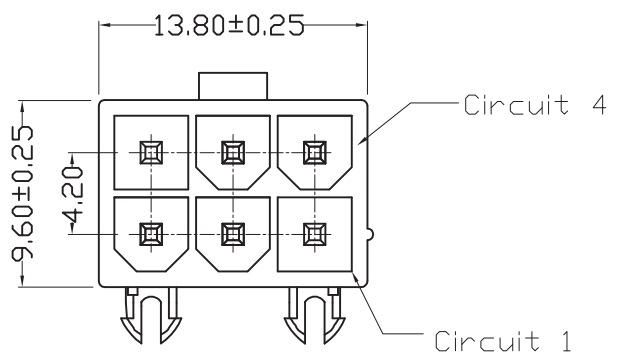
B

C

D

E

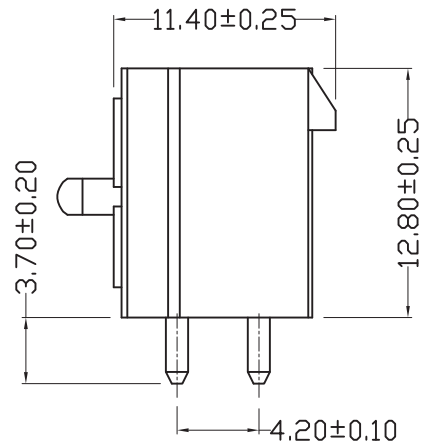
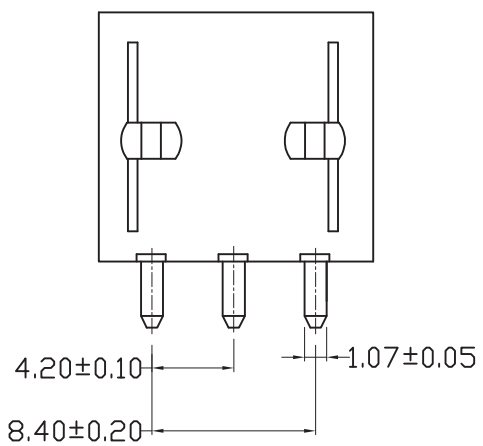
F



RECOMMEND P.C.B LAYOUT  
TOP VIEW

- Specifications(规格):
- Voltage rating(额定电压): 600V AC / DC
  - Current rating(额定电流): 9A AC / DC
  - Withstanding voltage(耐压值): 1500V AC/minute
  - Temperature range(工作温度): -25°C~+85°C
  - Insulation resistance(绝缘电阻): ≥1000MΩ
  - Contact resistance(接触电阻): ≤10mΩ
  - After environmental testing(环境测试后): ≤20mΩ

- Solder Process Data (焊接过程参数):
- Duration at Max. Process Temperature(Seconds): 30
  - Lead-free Process Capability: SMC & Wave Capable (TH only)
  - Max. Cycles at Max. Process Temperature: 3
  - Process Temperature max. °C: 265°C



X9357 W V X-2\*03 AS- LP SN XX  
① ② ③ ④ ⑤ ⑥ ⑦ ⑧ ⑨

- ①系列
- ②类别: W-WAFER类
- ③外观形态: V-180°
- ④成型方式: 空码-DIP
- ⑤PIN数: 双排-2\*XX
- ⑥特殊码: AS-2方4圆, 带定位柱
- ⑦材质: LP-LCP 94V-0
- ⑧电镀类别: SN-镀亮锡(70U")
- ⑨颜色: 空码-本色或普通色

|                     |              |               |             |                       |
|---------------------|--------------|---------------|-------------|-----------------------|
| X9357WV-2*03AS-LPSN | LCP UL 94V-0 | Brass         | Tin-Plated  | X9357H                |
| PART NO             | Material     | Material(Pin) | Finish(Pin) | Suitable XKB Terminal |

For and on behalf of  
**XKB INDUSTRIAL PRECISION CO., LIMITED**  
香港星坤工業精密有限公司

|      |             |      |         |          |                        |      |
|------|-------------|------|---------|----------|------------------------|------|
| △ X  |             |      |         |          | ANGULAR                | ±5°  |
| △ X  |             |      |         |          | L ≤ 4                  | ±0.2 |
| △ X  |             |      |         |          | 4 < L ≤ 16             | ±0.3 |
| MARK | DESCRIPTION | DATE | REVISED | APPROVED | 16 < L ≤ 63            | ±0.4 |
|      |             |      |         |          | L > 63                 | ±0.5 |
|      |             |      |         |          | UNSPECIFIED TOLERANCES |      |

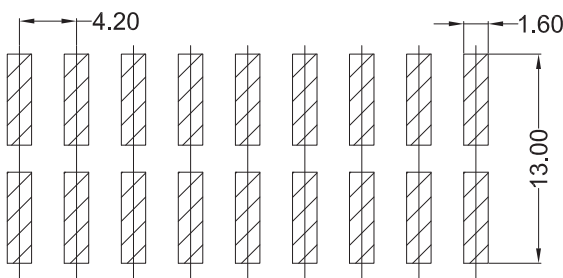
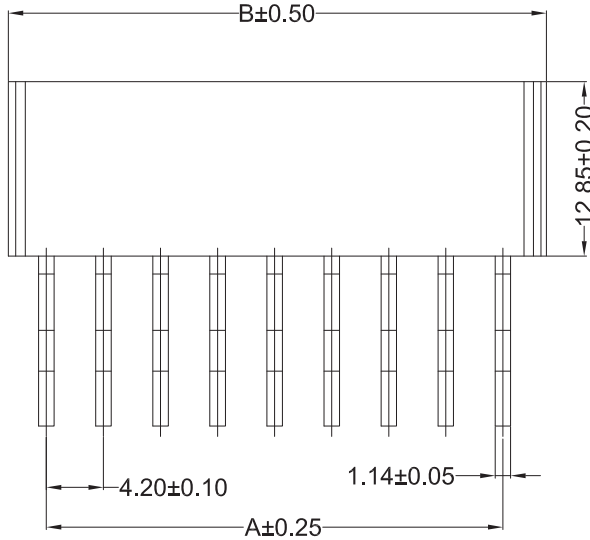
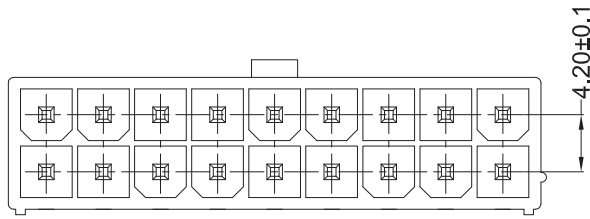
|      |  |      |  |            |                                    |
|------|--|------|--|------------|------------------------------------|
| DSND |  | DATE |  | SCALE: N/A | MODEL TYPE:<br>X9357WV-2*03AS-LPSN |
| DWN  |  | DATE |  | VIEW:      | PART NO.:                          |
| CHKD |  | DATE |  | UNIT: mm   | 4.20 mm Crimp Style Connectors     |
| APPD |  | DATE |  | SIZE: A4   | DWG NO.:                           |
|      |  |      |  |            | WEIGHT<br>1.0g                     |
|      |  |      |  |            | SHEET<br>1/1                       |
|      |  |      |  |            | REVISION<br>A0                     |

REVISIONS  
Authorized Signature(s)

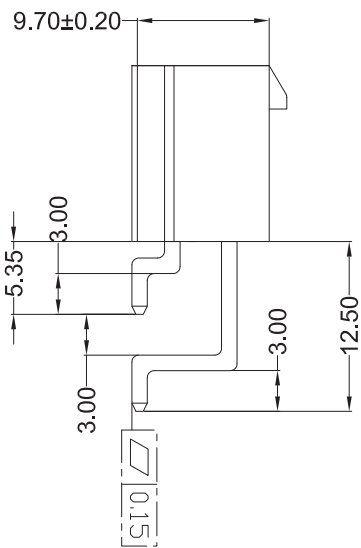
**XKB INDUSTRIAL PRECISION CO., LIMITED**

1 2 3 4 5 6 7 8





P.C.B LAYOUT



■ Specifications(规格):

- Voltage rating(额定电压): 250V AC / DC
- Current rating(额定电流): 7A AC / DC
- Withstanding voltage(耐压值): 1500V AC/minute
- Temperature range(工作温度): -25°C~+85°C
- Insulation resistance(绝缘电阻): ≥1000MΩ
- Contact resistance(接触电阻): ≤10mΩ
- After environmental testing(环境测试后): ≤20mΩ

X9357 W R S-2\*XX X-XX XX XX

- ① 系列
- ② 类别: W-WAFER类
- ③ 外观形态: R-90°(带脚式)
- ④ 成型方式: S-SMT
- ⑤ PIN数: 双排-2\*XX
- ⑥ 空码-普通规格 A-带定位柱
- ⑦ 材质: N0-PA66 94V-0
- ⑧ 电镀类别: SN-镀亮锡(70u")
- ⑨ 颜色: 空码-本色

| Poles | Dimensions (mm) |       |
|-------|-----------------|-------|
|       | A               | B     |
| 1     | ---             | 5.60  |
| 2     | 4.20            | 9.80  |
| 3     | 8.40            | 14.00 |
| 4     | 12.60           | 18.20 |
| 5     | 16.80           | 22.40 |
| 6     | 21.00           | 26.60 |
| 7     | 25.20           | 30.80 |
| 8     | 29.40           | 35.00 |
| 9     | 33.60           | 39.20 |
| 10    | 37.80           | 43.40 |
| 11    | 42.00           | 47.60 |
| 12    | 46.20           | 51.80 |

|                    |                   |               |                  |                       |
|--------------------|-------------------|---------------|------------------|-----------------------|
| X9357WRS-2*XX-N0SN | Nylon 66 UL 94V-2 | Brass         | Tin-Plated       | X9357H or 9357T       |
| Part No            | Material          | Material(Pin) | Finish(Terminal) | Suitable XKB Terminal |

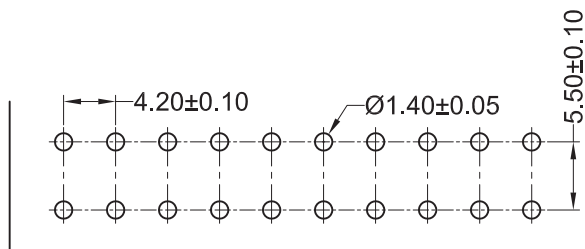
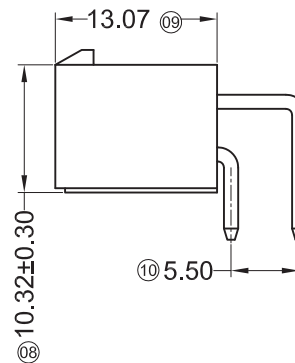
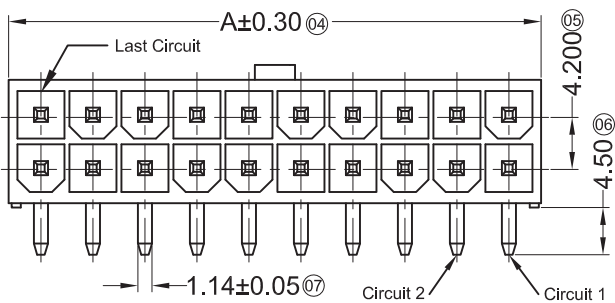
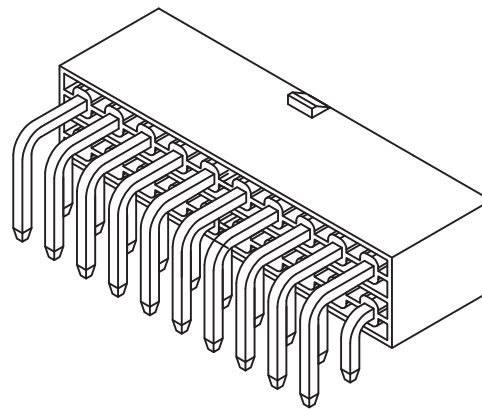
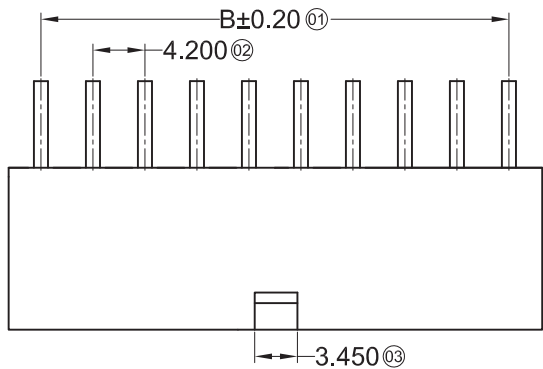
For and on behalf of  
**XKB INDUSTRIAL PRECISION CO., LIMITED**  
**香港星坤工業精密有限公司**

| MARK | DESCRIPTION | DATE | REVISED | APPROVED | UNSPECIFIED TOLERANCES |
|------|-------------|------|---------|----------|------------------------|
| △ X  |             |      |         |          | ANGULAR ±5°            |
| △ X  |             |      |         |          | L ≤ 4 ±0.2             |
| △ X  |             |      |         |          | 4 < L ≤ 16 ±0.3        |
|      |             |      |         |          | 16 < L ≤ 63 ±0.4       |
|      |             |      |         |          | L > 63 ±0.5            |

|      |      |            |                                |
|------|------|------------|--------------------------------|
| DSND | DATE | SCALE: N/A | MODEL TYPE: X9357WRS-2*XX-N0SN |
| DWN  | DATE | VIEW:      | PART NO.:                      |
| CHKD | DATE | UNIT: mm   | 4.20 mm Crimp Style Connectors |
| APPD | DATE | SIZE: A4   | DWG NO.:                       |
|      |      | WEIGHT     | SHEET                          |
|      |      | 1.0g       | 1/1                            |
|      |      | REVISION   | A0                             |

Authorized Signature(s)

**XKB INDUSTRIAL PRECISION CO., LIMITED**



**P.C.B. HOLE DIMENSION**

**Specifications :**

- Voltage rating: 600V AC / DC
- Current rating: 9A AC / DC
- Withstanding voltage: 1500V AC/minute
- Temperature range: -25°C~+85°C
- Insulation resistance: ≥1000MΩ
- Contact resistance: ≤10mΩ
- After environmental testing: ≤20mΩ

X9357 W R X-2\*XX Y-XX XX XX

01 02 03 04 05 06 07 08 09

- 01 Series No.
- 02 Category: W-wafer
- 03 Welding Board Angle: R-90°
- 04 Welding Way: Blank-DIP
- 05 Row No.-Pin No.: 2\*XX-Double Row
- 06 Plug the Pin & Special NO.: Y-Without gluten
- 07 Material: N0-PA66 94V-0 N2-PA66 94V-2
- 08 Planting Category:  
V\*\*-All Gold-Plated \*01-Gold Flash  
SN-Bright tin plating 70u"
- 09 Color: Blank-Natural color

| Poles | Dimensions(mm) |       | Poles | Dimensions(mm) |       |
|-------|----------------|-------|-------|----------------|-------|
|       | A              | B     |       | A              | B     |
| 02    | 6.05           | ---   | 14    | 31.25          | 25.20 |
| 04    | 10.25          | 4.20  | 16    | 35.45          | 29.40 |
| 06    | 14.45          | 8.40  | 18    | 39.65          | 33.60 |
| 08    | 18.65          | 12.60 | 20    | 43.86          | 37.80 |
| 10    | 22.85          | 16.80 | 22    | 48.05          | 42.00 |
| 12    | 27.05          | 21.00 | 24    | 52.25          | 46.20 |

|                     |                   |               |             |                       |
|---------------------|-------------------|---------------|-------------|-----------------------|
| X9357WR-2*XXY-N0V01 | Nylon 66 UL 94V-0 | Brass         | Gold-Flash  | X9357H                |
| X9357WR-2*XXY-N0SN  | Nylon 66 UL 94V-0 | Brass         | Tin-Plated  |                       |
| X9357WR-2*XXY-N2V01 | Nylon 66 UL 94V-2 | Brass         | Gold-Flash  |                       |
| X9357WR-2*XXY-N2SN  | Nylon 66 UL 94V-2 | Brass         | Tin-Plated  |                       |
| PART NO             | Material          | Material(Pln) | Finish(Pln) | Suitable XKB Terminal |

For and on behalf of  
**XKB INDUSTRIAL PRECISION CO., LIMITED**  
 香港星坤工業精密有限公司

Authorized Signature(s)

|      |      |            |                                   |
|------|------|------------|-----------------------------------|
| DSND | DATE | SCALE: N/A | MODEL TYPE:<br>X9357WR-2*XXY-XXXX |
| DWN  | DATE | VIEW:      | PART NO.:                         |
| CHKD | DATE | UNIT: mm   | 4.20 mm Crimp Style Connectors    |
| APPD | DATE | SIZE: A4   | DWG NO.:                          |
|      |      |            | WEIGHT<br>1.0g                    |
|      |      |            | SHEET<br>1/1                      |
|      |      |            | REVISION<br>A0                    |

**XKB INDUSTRIAL PRECISION CO., LIMITED**

A

B

C

D

E

F

A

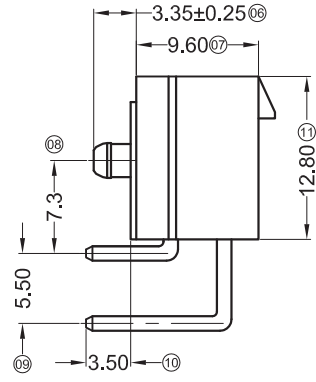
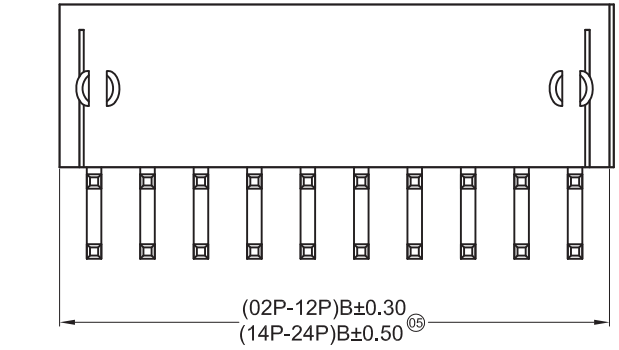
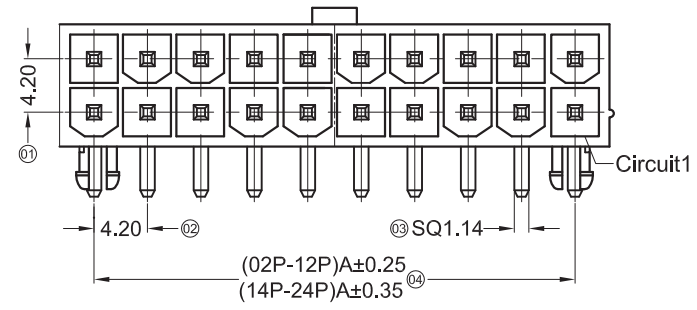
B

C

D

E

F

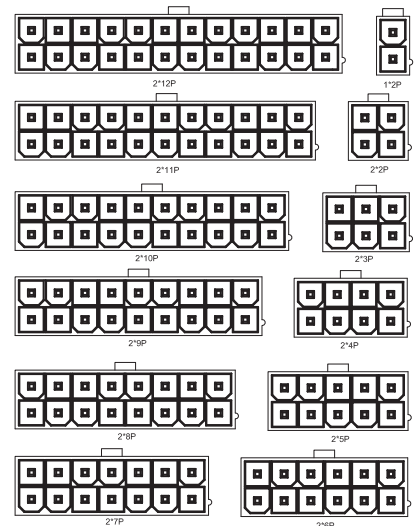


**Specifications :**

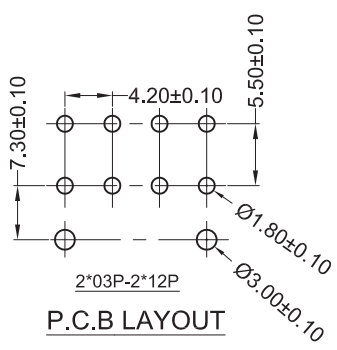
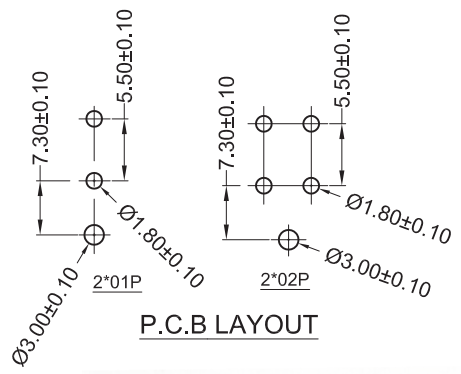
- Voltage rating: 600V AC / DC
- Current rating: 9A AC / DC
- Withstanding voltage: 1500V AC/minute
- Temperature range: -25°C~+85°C
- Insulation resistance: ≥1000MΩ
- Contact resistance: ≤10mΩ
- After environmental testing: ≤20mΩ

X9357 W R X-2\*XX SX-XX SN XX

- (11) Series No.
- (12) Category: W-wafer
- (13) Welding Board Angle: R-90°
- (14) Welding Way: Blank-DIP ;
- (15) Row No.-Pin No.: 2\*XX-Double row
- (16) Special NO.
- S-With positioning column F-halogen free
- (17) Material: N0-PA66 94V-0 ; N2-PA66 94V-2 ; LP-LCP 94V-0
- (18) Plating Category: SN-Bright tin plating 70u"
- (19) Color: Blank-natural color BK-BLACK BL-BLUE RE-RED



| Poles | Dimensions(mm) |       |
|-------|----------------|-------|
|       | A              | B     |
| 2*01  | ---            | 5.40  |
| 2*02  | 4.20           | 9.60  |
| 2*03  | 8.40           | 13.80 |
| 2*04  | 12.60          | 18.00 |
| 2*05  | 16.80          | 22.20 |
| 2*06  | 21.00          | 26.40 |
| 2*07  | 25.20          | 30.60 |
| 2*08  | 29.40          | 34.80 |
| 2*09  | 33.60          | 39.00 |
| 2*10  | 37.80          | 43.20 |
| 2*11  | 42.00          | 47.40 |
| 2*12  | 46.20          | 51.60 |



|                       |                                |               |             |                       |
|-----------------------|--------------------------------|---------------|-------------|-----------------------|
| X9357WR-2*XXS-LPSN    | LCP UL 94V-0                   | Brass         | Tin-Plated  | X9357H                |
| X9357WR-2*XXSF-N0SNBK | Nylon 66 UL 94V-0 Halogen Free |               |             |                       |
| X9357WR-2*XXS-N0SNXX  | Nylon 66 UL 94V-0              |               |             |                       |
| X9357WR-2*XXS-N2SNXX  | Nylon 66 UL 94V-2              |               |             |                       |
| PART NO               | Material                       | Material(Pin) | Finish(Pin) | Suitable XKB Terminal |

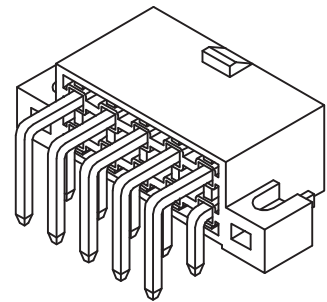
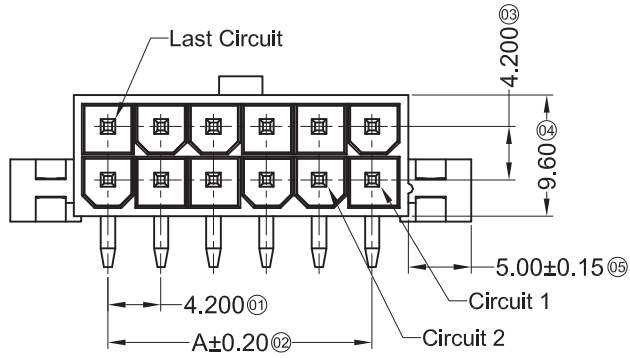
For and on behalf of  
**XKB INDUSTRIAL PRECISION CO., LIMITED**  
 香港星坤工業精密有限公司

|      |             |      |         |          |                        |      |
|------|-------------|------|---------|----------|------------------------|------|
| △ X  |             |      |         |          | ANGULAR                | ±5°  |
| △ X  |             |      |         |          | L ≤ 4                  | ±0.2 |
| △ X  |             |      |         |          | 4 < L ≤ 16             | ±0.3 |
| MARK | DESCRIPTION | DATE | REVISED | APPROVED | 16 < L ≤ 63            | ±0.4 |
|      |             |      |         |          | L > 63                 | ±0.5 |
|      |             |      |         |          | UNSPECIFIED TOLERANCES |      |

|      |  |      |  |            |                                   |
|------|--|------|--|------------|-----------------------------------|
| DSND |  | DATE |  | SCALE: N/A | MODEL TYPE:<br>X9357WR-2*XXS-XXSN |
| DWN  |  | DATE |  | VIEW:      | PART NO.:                         |
| CHKD |  | DATE |  | UNIT: mm   | 4.20mm Crimp Style Connectors     |
| APPD |  | DATE |  | SIZE: A4   | DWG NO.:                          |
|      |  |      |  |            | WEIGHT 1.0g                       |
|      |  |      |  |            | SHEET 1/1                         |
|      |  |      |  |            | REVISION A0                       |

Authorized Signature(s)

**XKB INDUSTRIAL PRECISION CO., LIMITED**



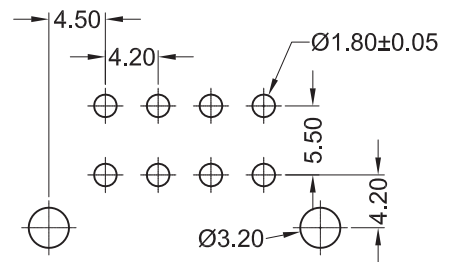
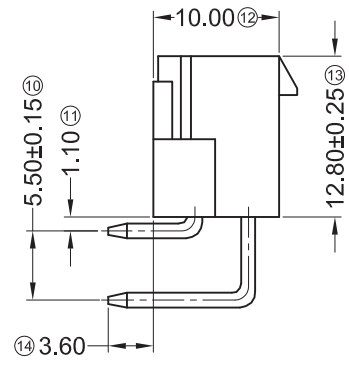
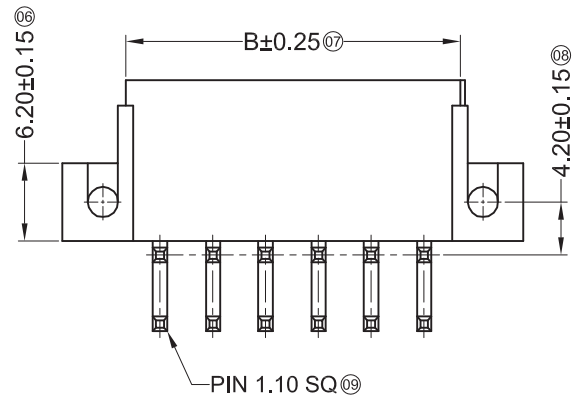
**Specifications :**

- Voltage rating: 600V AC / DC
- Current rating: 9A AC / DC
- Withstanding voltage: 1500V AC/minute
- Temperature range: -25°C~+85°C
- Insulation resistance: ≥1000MΩ
- Contact resistance: ≤10mΩ
- After environmental testing: ≤20mΩ

X9357 W R X-2\*XX ES-XX SN XX

① ② ③ ④ ⑤ ⑥ ⑦ ⑧ ⑨

- ① Series No.
- ② Category: W-wafer
- ③ Welding Board Angle: R-Right Angle 90°
- ④ Welding Way: Blank-DIP
- ⑤ Row No.-Pin No.: 2\*XX-2\*01P~2\*12P
- ⑥ Plug the Pin & Special No.:  
ES-With Ears and Screw Holes
- ⑦ Material: N0-PA66 94V-0 ; N2-PA66 94V-2
- ⑧ Plating Category: SN-Bright tin plating
- ⑨ Color: Blank-Natural Color



Recommended P.C.B Layout  
General Tolerance±0.10

| Poles | Dimensions(mm) |       | Poles | Dimensions(mm) |       |
|-------|----------------|-------|-------|----------------|-------|
|       | A              | B     |       | A              | B     |
| 2*01  | ---            | 5.40  | 2*07  | 25.20          | 30.60 |
| 2*02  | 4.20           | 9.60  | 2*08  | 29.40          | 34.80 |
| 2*03  | 8.40           | 13.80 | 2*09  | 33.60          | 39.00 |
| 2*04  | 12.60          | 18.00 | 2*10  | 37.80          | 43.20 |
| 2*05  | 16.80          | 22.20 | 2*11  | 42.00          | 47.40 |
| 2*06  | 21.00          | 26.40 | 2*12  | 46.20          | 51.60 |

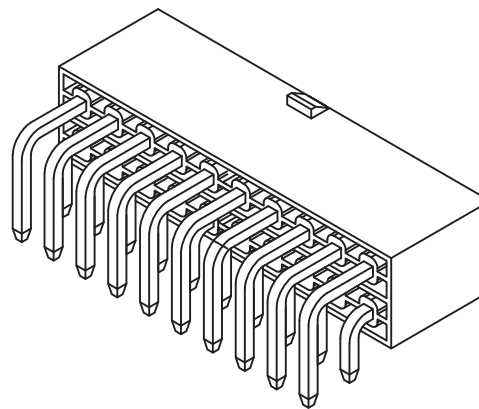
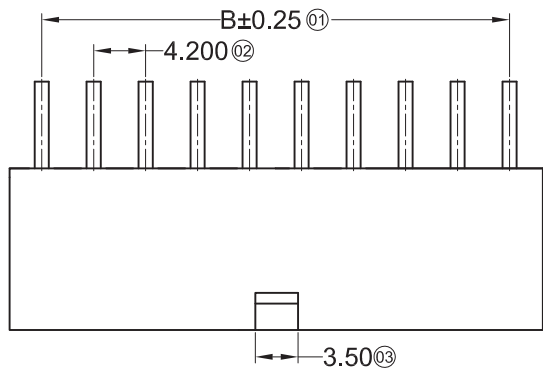
|                     |                   |               |             |                       |
|---------------------|-------------------|---------------|-------------|-----------------------|
| X9357WR-2*XXES-N0SN | Nylon 66 UL 94V-0 | Brass         | Tin-Plated  | X9357H                |
| X9357WR-2*XXES-N2SN | Nylon 66 UL 94V-2 | Brass         | Tin-Plated  |                       |
| PART N0             | Material          | Material(Pin) | Finish(Pin) | Suitable XKB Terminal |

For and on behalf of  
**XKB INDUSTRIAL PRECISION CO., LIMITED**  
香港星坤工業精密有限公司

| MARK | DESCRIPTION | DATE | REVISED | APPROVED | UNSPECIFIED TOLERANCES | DSND | DATE | SCALE: N/A | MODEL TYPE:<br>X9357WR-2*XXES-XXSN |
|------|-------------|------|---------|----------|------------------------|------|------|------------|------------------------------------|
| △ X  |             |      |         |          | ANGULAR ±5°            | DWN  | DATE | VIEW:      | PART NO.:                          |
| △ X  |             |      |         |          | L ≤ 4 ±0.2             | CHKD | DATE | UNIT: mm   | 4.20 mm Crimp Style Connectors     |
| △ X  |             |      |         |          | 4 < L ≤ 16 ±0.3        | APPD | DATE | SIZE: A4   | DWG NO.:                           |
|      |             |      |         |          | 16 < L ≤ 63 ±0.4       |      |      |            |                                    |
|      |             |      |         |          | L > 63 ±0.5            |      |      |            |                                    |
|      |             |      |         |          |                        |      |      |            | WEIGHT 1.0g                        |
|      |             |      |         |          |                        |      |      |            | SHEET 1/1                          |
|      |             |      |         |          |                        |      |      |            | REVISION A0                        |

REVISIONS  
Authorized Signature(s)

**XKB INDUSTRIAL PRECISION CO., LIMITED**



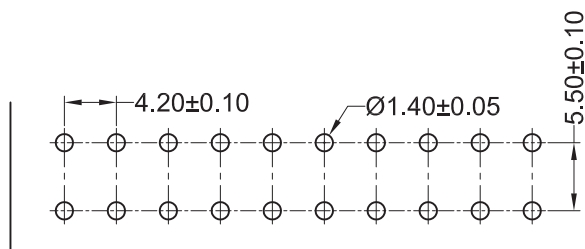
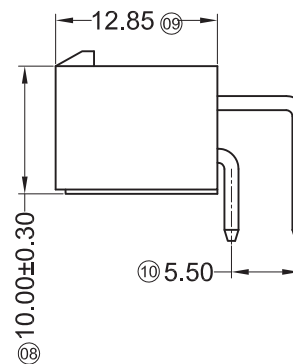
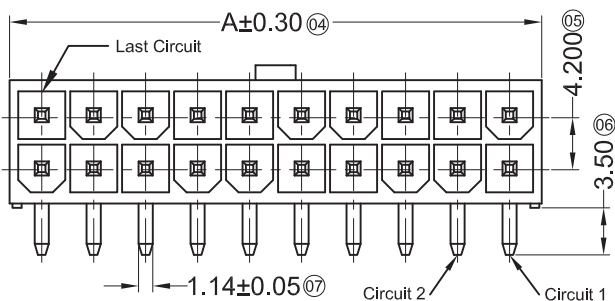
■ Specifications :

- Voltage rating: 600V AC / DC
- Current rating: 9A AC / DC
- Withstanding voltage: 1500V AC/minute
- Temperature range: -25°C~+85°C
- Insulation resistance: ≥1000MΩ
- Contact resistance: ≤10mΩ
- After environmental testing: ≤20mΩ

X9357 W R X-2\*XX DF-XX XX XX

(01) (02) (03) (04) (05) (06) (07) (08) (09)

- (01) Series No.
- (02) Category: W-wafer
- (03) Welding Board Angle: R-90°
- (04) Welding Way: Blank-DIP
- (05) Row No.-Pin No.: 2\*XX-Double Row
- (06) Plug the Pin & Special NO.:  
D-Without gluten ; DIP=3,50mm ,F-HF
- (07) Material: N0-PA66 94V-0 N2-PA66 94V-2
- (08) Planting Category:  
V\*\*-All Gold-Plated \*01-Gold Flash  
SN-Bright tin plating 70u"
- (09) Color: Blank-Natural color ; BK-Black



P.C.B. HOLE DIMENSION

| Poles | Dimensions(mm) |       | Poles | Dimensions(mm) |       |
|-------|----------------|-------|-------|----------------|-------|
|       | A              | B     |       | A              | B     |
| 02    | 5.40           | ---   | 14    | 25.20          | 30.60 |
| 04    | 9.60           | 4.20  | 16    | 29.40          | 34.80 |
| 06    | 13.80          | 8.40  | 18    | 33.60          | 39.00 |
| 08    | 18.00          | 12.60 | 20    | 37.80          | 43.20 |
| 10    | 22.20          | 16.80 | 22    | 42.00          | 47.40 |
| 12    | 26.40          | 21.00 | 24    | 46.20          | 51.60 |

|                        |                   |               |             |                       |
|------------------------|-------------------|---------------|-------------|-----------------------|
| X9357WR-2*XXD-N0V01    | Nylon 66 UL 94V-0 | Brass         | Gold-Flash  | X9357H                |
| X9357WR-2*XXD-N0SN     | Nylon 66 UL 94V-0 | Brass         | Tin-Plated  |                       |
| X9357WR-2*XXD-N2V01    | Nylon 66 UL 94V-2 | Brass         | Gold-Flash  |                       |
| X9357WR-2*XXDX-N2SNXXX | Nylon 66 UL 94V-2 | Brass         | Tin-Plated  |                       |
| PART NO                | Material          | Material(Pln) | Finlsh(Pln) | Suitable XKB Terminal |

For and on behalf of  
**XKB INDUSTRIAL PRECISION CO., LIMITED**  
 香港星坤工業精密有限公司

| MARK | DESCRIPTION | DATE | REVISED | APPROVED | UNSPECIFIED TOLERANCES |
|------|-------------|------|---------|----------|------------------------|
| △ X  |             |      |         |          | ANGULAR ±5°            |
| △ X  |             |      |         |          | L ≤ 4 ±0.2             |
| △ X  |             |      |         |          | 4 < L ≤ 16 ±0.3        |
|      |             |      |         |          | 16 < L ≤ 63 ±0.4       |
|      |             |      |         |          | L > 63 ±0.5            |

|      |      |            |                                      |
|------|------|------------|--------------------------------------|
| DSND | DATE | SCALE: N/A | MODEL TYPE:<br>X9357WR-2*XXD-XXXXXXX |
| DWN  | DATE | VIEW:      | PART NO.:                            |
| CHKD | DATE | UNIT: mm   | 4.20 mm Crimp Style Connectors       |
| APPD | DATE | SIZE: A4   | DWG NO.:                             |
|      |      |            | WEIGHT 1.0g                          |
|      |      |            | SHEET 1/1                            |
|      |      |            | REVISION A0                          |

REVISIONS  
 Authorized Signature(s)

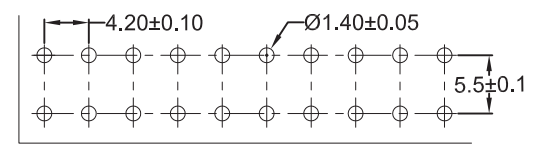
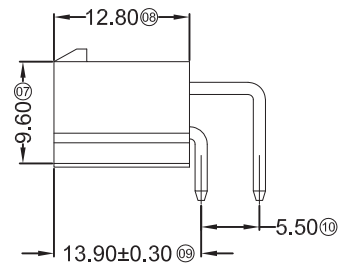
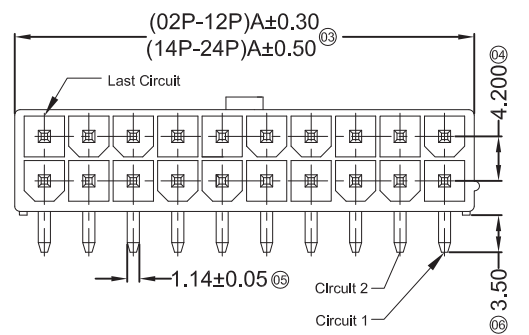
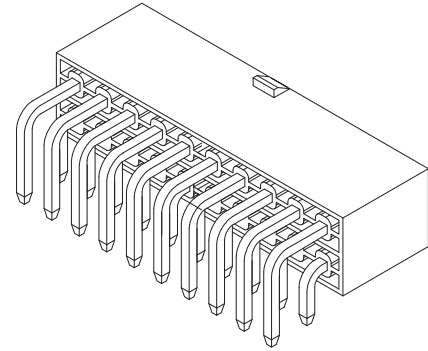
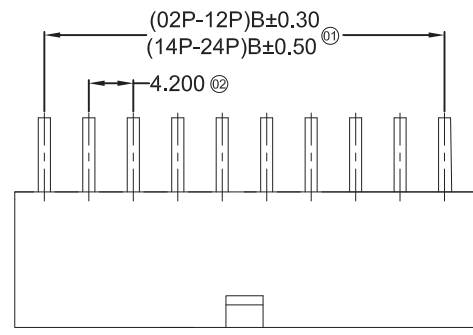
**XKB INDUSTRIAL PRECISION CO., LIMITED**

X9357 WR X - 2\*XX X - XX XX XX  
 ①②③④⑤⑥⑦⑧⑨

■ Specifications :

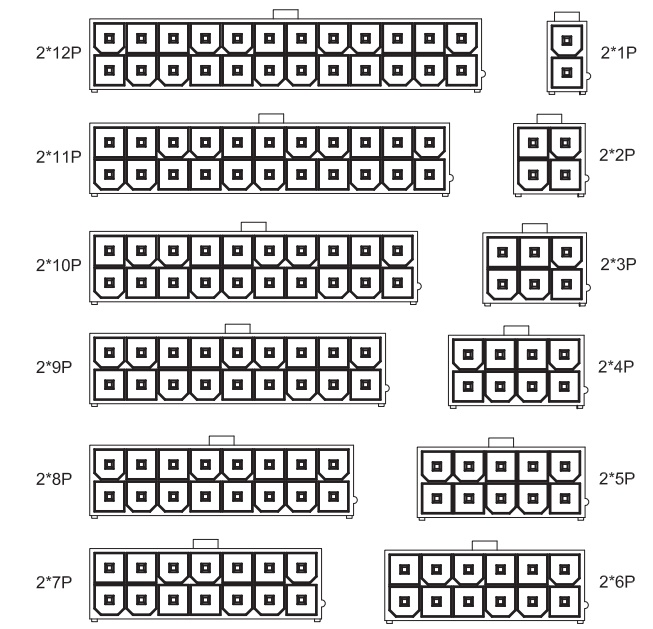
- Voltage rating: 600V AC / DC
- Current rating: 9A AC / DC
- Withstanding voltage: 1500V AC/minute
- Temperature range: -25°C~+85°C
- Insulation resistance: ≥1000MΩ
- Contact resistance: ≤10mΩ
- After environmental testing: ≤20mΩ

- ① Series No.
- ② Category: W-wafer
- ③ Welding Board Angle: R-90°
- ④ Welding Way: Blank-DIP
- ⑤ Row No.-Pin No.: 2\*XX-Double
- ⑥ Plug the Pin & Special NO. : F-HF
- ⑦ Material:  
N0-PA66 94V-0 ; N2-PA66 94V-2  
LP-LCP 94V-0 ; 6T-PA6T 94V-0 ; 9T-PA9T 94V-0
- ⑧ Planting Category:  
V:All Gold-Plated \*01-Gold Flash ;  
SN-Bright tin plating 70u"
- ⑨ Color:  
Blank-Natural Color BK-Black



P.C.B. HOLE DIMENSION

| Poles | Dimensions(mm) |       | Poles | Dimensions(mm) |       |
|-------|----------------|-------|-------|----------------|-------|
|       | A              | B     |       | A              | B     |
| 2*01  | 5.60           | —     | 2*07  | 30.80          | 25.20 |
| 2*02  | 9.80           | 4.20  | 2*08  | 35.00          | 29.40 |
| 2*03  | 14.00          | 8.40  | 2*09  | 39.20          | 33.60 |
| 2*04  | 18.20          | 12.60 | 2*10  | 43.40          | 37.80 |
| 2*05  | 22.40          | 16.80 | 2*11  | 47.60          | 42.00 |
| 2*06  | 26.60          | 21.00 | 2*12  | 51.80          | 46.20 |



|                       |                   |               |             |              |          |
|-----------------------|-------------------|---------------|-------------|--------------|----------|
| X9357WR-2*XXX-N0V01XX | Nylon 66 UL 94V-0 | Brass         | Gold-Flash  | x 9357H      | 1,000Pcs |
| X9357WR-2*XXX-N0SNXX  | Nylon 66 UL 94V-0 | Brass         | Tin-Plated  |              |          |
| X9357WR-2*XXX-N2V01XX | Nylon 66 UL 94V-2 | Brass         | Gold-Flash  |              |          |
| X9357WR-2*XXX-N2SNXX  | Nylon 66 UL 94V-2 | Brass         | Tin-Plated  |              |          |
| PART NO               | Material          | Material(Pin) | Finish(Pin) | Suitable XKB | Qty/Bag  |

For and on behalf of  
**XKB INDUSTRIAL PRECISION CO., LIMITED**  
 香港星坤工業精密有限公司

| REVISIONS | DESCRIPTION | DATE | REVISED | APPROVED | UNSPECIFIED TOLERANCES | DSND | DATE | SCALE: N/A | MODEL TYPE:<br>X9357WR-2*XXX-XXXX |
|-----------|-------------|------|---------|----------|------------------------|------|------|------------|-----------------------------------|
| △ X       |             |      |         |          | ANGULAR ±5°            | DWN  | DATE | VIEW:      | PART NO.:                         |
| △ X       |             |      |         |          | L ≤ 4 ±0.2             | CHKD | DATE | UNIT: mm   | 4.20mm Crimp Style Connectors     |
| △ X       |             |      |         |          | 4 < L ≤ 16 ±0.3        | APPD | DATE | SIZE: A4   | DWG NO.:                          |
| MARK      |             |      |         |          | 16 < L ≤ 63 ±0.4       |      |      |            |                                   |
|           |             |      |         |          | L > 63 ±0.5            |      |      |            |                                   |
|           |             |      |         |          |                        |      |      |            | WEIGHT 1.0g                       |
|           |             |      |         |          |                        |      |      |            | SHEET 1/1                         |
|           |             |      |         |          |                        |      |      |            | REVISION A0                       |

**XKB INDUSTRIAL PRECISION CO., LIMITED**



1 2 3 4 5 6 7 8

A

B

C

D

E

F

A

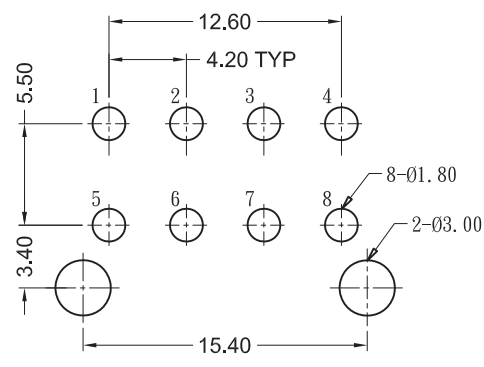
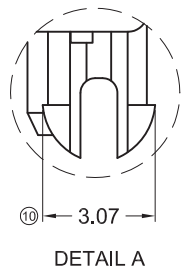
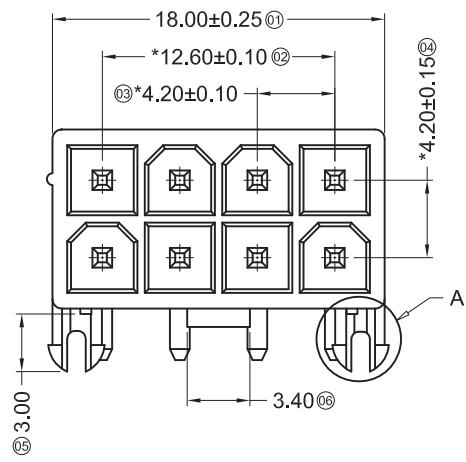
B

C

D

E

F



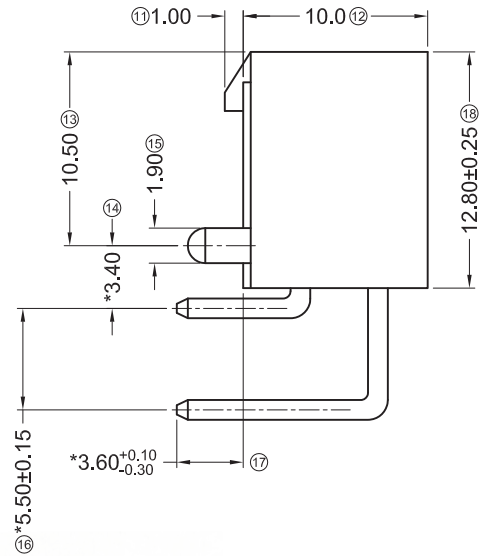
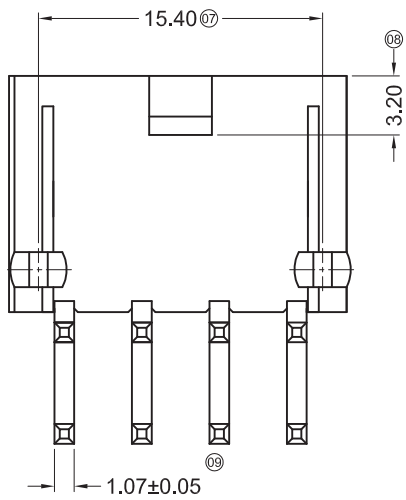
RECOMMEND P. C. B LAYOUT  
TOLERANCE: ±0.05

■ Specifications(规格):

- Voltage rating(额定电压): 600V AC / DC
- Current rating(额定电流): 9A AC / DC
- Withstanding voltage(耐压值): 1500V AC/minute
- Temperature range(工作温度): -25°C~+85°C
- Insulation resistance(绝缘电阻): ≥1000MΩ
- Contact resistance(接触电阻): ≤10mΩ
- After environmental testing(环境测试后): ≤20mΩ
- Mark "\*" Indicate Dimensions Need To Controlled In Emphasis(带 "\*" 标记表示尺寸需要重点控制)

X9357 W R X-2\*04 SE2 -XX XX XX  
① ② ③ ④ ⑤ ⑥ ⑦ ⑧ ⑨

- ① 系列
- ② 类别: W-WAFER类
- ③ 外观形态: R- Right Angle 90°
- ④ 成型方式: S-SMT
- ⑤ PIN数: 2\*04-2\*04P
- ⑥ 特殊码: SE2-连孔带柱, 反扣
- ⑦ 材质: N0-PA66 94V-0 ; LP-LCP 94V-0
- ⑧ 电镀类别: SW-镀雾锡; SN-镀亮锡
- ⑨ 颜色: 空码-本色



|                      |               |               |                   |              |
|----------------------|---------------|---------------|-------------------|--------------|
| X9357WR-2*04SE2-LPSN | LCP UL 94V-0  | Brass         | Tin Plating       | X9357H       |
| X9357WR-2*04SE2-N0SW | PA66 UL 94V-0 |               | Matte tin Plating |              |
| PART NO              | Material      | Material(Pin) | Finish(Pin)       | Suitable XKB |

For and on behalf of  
**XKB INDUSTRIAL PRECISION CO., LIMITED**  
香港星坤工业精密有限公司

|      |             |      |         |          |                        |      |
|------|-------------|------|---------|----------|------------------------|------|
| △ X  |             |      |         |          | ANGULAR                | ±5°  |
| △ X  |             |      |         |          | L ≤ 4                  | ±0.2 |
| △ X  |             |      |         |          | 4 < L ≤ 16             | ±0.3 |
| MARK | DESCRIPTION | DATE | REVISED | APPROVED | 16 < L ≤ 63            | ±0.4 |
|      |             |      |         |          | L > 63                 | ±0.5 |
|      |             |      |         |          | UNSPECIFIED TOLERANCES |      |

|      |  |      |  |            |                                     |       |          |
|------|--|------|--|------------|-------------------------------------|-------|----------|
| DSND |  | DATE |  | SCALE: N/A | MODEL TYPE:<br>X9357WR-2*04SE2-XXXX |       |          |
| DWN  |  | DATE |  | VIEW:      | PART NO.:                           |       |          |
| CHKD |  | DATE |  | UNIT: mm   | 4.20 mm Crimp Style Connectors      |       |          |
| APPD |  | DATE |  | SIZE: A4   | DWG NO.:                            |       |          |
|      |  |      |  |            | WEIGHT                              | SHEET | REVISION |
|      |  |      |  |            | 1.0g                                | 1/1   | A0       |

**XKB INDUSTRIAL PRECISION CO., LIMITED**

1 2 3 4 5 6 7 8

1 2 3 4 5 6 7 8

A

B

C

D

E

F

A

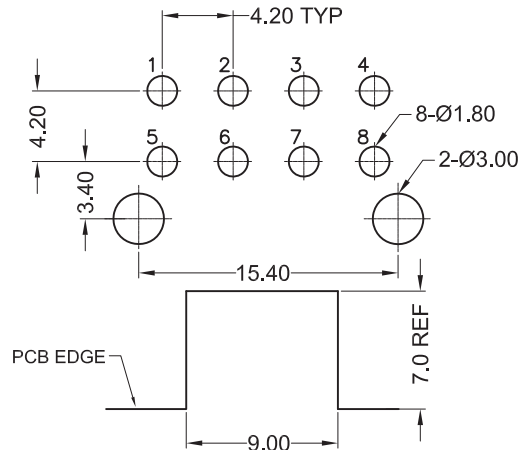
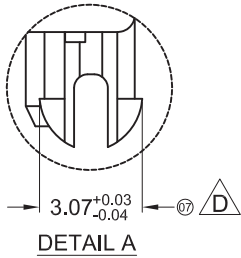
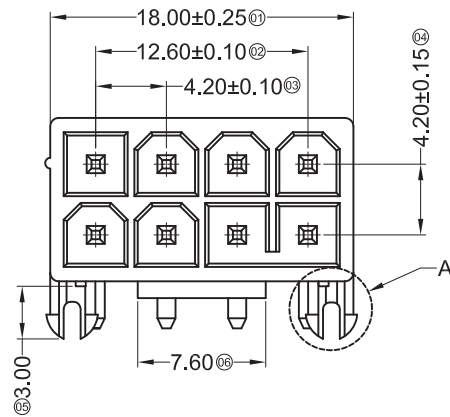
B

C

D

E

F



Recommended P.C.B Layout  
General Tolerance±0.05

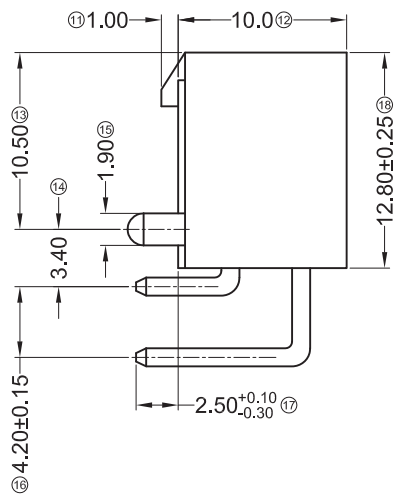
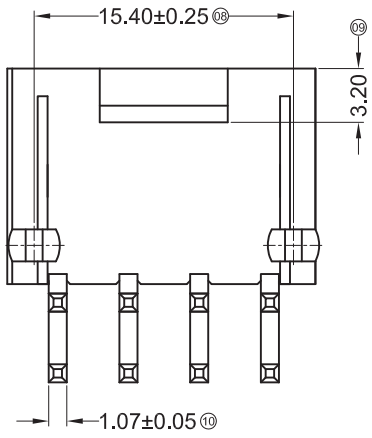
**Specifications :**

- Voltage rating: 600V AC / DC
- Current rating: 9A AC / DC
- Withstanding voltage: 1500V AC/minute
- Temperature range: -25°C~+85°C
- Insulation resistance: ≥1000MΩ
- Contact resistance: ≤10mΩ
- After environmental testing: ≤20mΩ

X9357 W R X-2\*04 FH-LP SW XX

① ② ③ ④ ⑤ ⑥ ⑦ ⑧ ⑨

- ① Series No.
- ② Category: W-wafer
- ③ Welding Board Angle: R- Right Angle 90°
- ④ Welding Way: Blank-DIP
- ⑤ Row No.-Pin No.: 2\*04-2\*04P
- ⑥ Plug the Pin & Special No.:  
FH-Mounting peg with linked holes,  
With Post, Reversrd Lock,
- ⑦ Material: LP-LCP 94V-0
- ⑧ Planting Category: SW-Matte tin plating
- ⑨ Color: Blank-Natural Color Black



|                     |                             |               |                 |                       |
|---------------------|-----------------------------|---------------|-----------------|-----------------------|
| X9357WR-2*04FH-LPSW | LCP UL 94V-0 (halogen free) | Brass         | MatteTin-Plated | X9357H                |
| PART NO             | Material                    | Material(Pin) | Finish(Pin)     | Suitable XKB Terminal |

For and on behalf of  
**XKB INDUSTRIAL PRECISION CO., LIMITED**  
香港星坤工業精密有限公司

Authorized Signature(s)

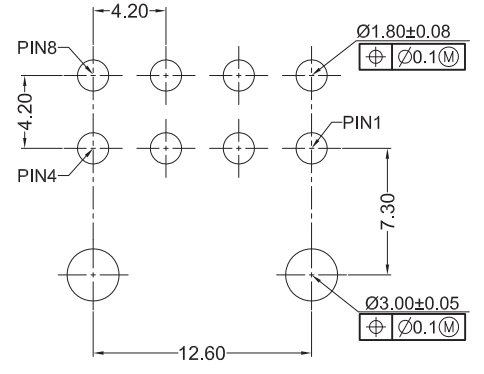
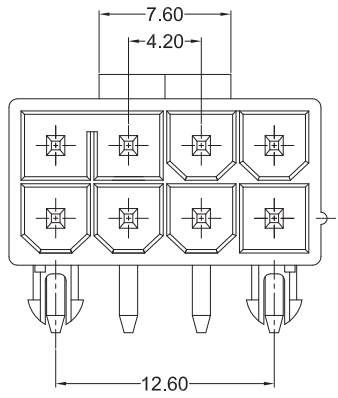
|      |      |            |                                    |
|------|------|------------|------------------------------------|
| DSND | DATE | SCALE: N/A | MODEL TYPE:<br>X9357WR-2*04FH-LPSW |
| DWN  | DATE | VIEW:      | PART NO.:                          |
| CHKD | DATE | UNIT: mm   | 4.20 mm Crimp Style Connectors     |
| APPD | DATE | SIZE: A4   | DWG NO.:                           |
|      |      | WEIGHT     | SHEET                              |
|      |      | 1.0g       | 1/1                                |
|      |      | REVISION   |                                    |
|      |      | A0         |                                    |

**XKB INDUSTRIAL PRECISION CO., LIMITED**

1 2 3 4 5 6 7 8

1 2 3 4 5 6 7 8

A



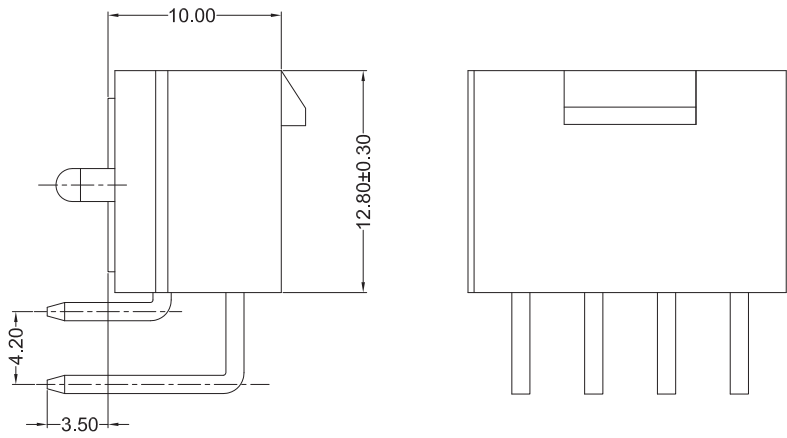
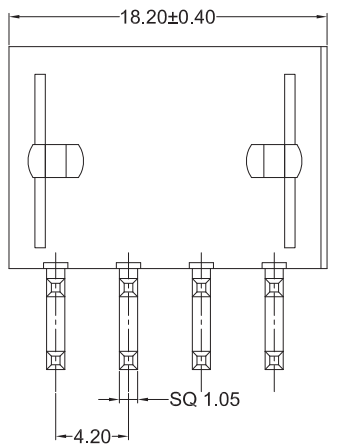
RECOMMENDED P.C.B. HOLE LAYOUT  
(TOLERANCE:±0.05)

- Specifications(规格):
- Voltage rating(额定电压): 600V AC / DC
  - Current rating(额定电流): 9A AC / DC
  - Withstanding voltage(耐压值): 1500V AC/minute
  - Temperature range(工作温度): -25°C~+85°C
  - Insulation resistance(绝缘电阻): ≥1000MΩ
  - Contact resistance(接触电阻): ≤10mΩ
  - After environmental testing(环境测试后): ≤20mΩ

X9357 W R X-2\*04 EH-XX SX XX  
① ② ③ ④ ⑤ ⑥ ⑦ ⑧ ⑨

- ① 系列
- ② 类别: W-WAFER类
- ③ 外观形态:  
V-180° R-90°(带脚式)
- ④ 成型方式:  
空码-DIP S-SMT W-公母连体
- ⑤ PIN数:  
单排-XX 双排-2\*XX
- ⑥ 特殊码:  
EH-连孔带定位柱
- ⑦ 材质:  
N2-PA66 LP-LCP 94V-2 94V-0
- ⑧ 电镀类别:  
SW-镀雾锡 SN-镀亮锡(70U")
- ⑨ 颜色:  
空码-本色或普通色

C



D

E

|                     |                   |               |                 |                       |
|---------------------|-------------------|---------------|-----------------|-----------------------|
| X9357WR-2*04EH-LPSN | LCP UL 94V-0      | Brass         | Tin-Plated      | X9357H                |
| X9357WR-2*04EH-N2SW | Nylon 66 UL 94V-2 | Brass         | Tin Plating Fog | X9357H                |
| PART NO             | Material          | Material(Pin) | Flnsh(PIn)      | Suitable XKB Terminal |

For and on behalf of  
**XKB INDUSTRIAL PRECISION CO., LIMITED**  
香港星坤工業精密有限公司

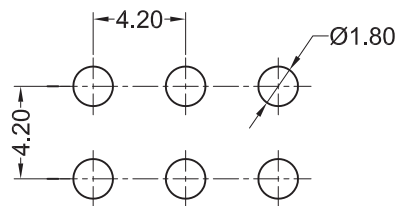
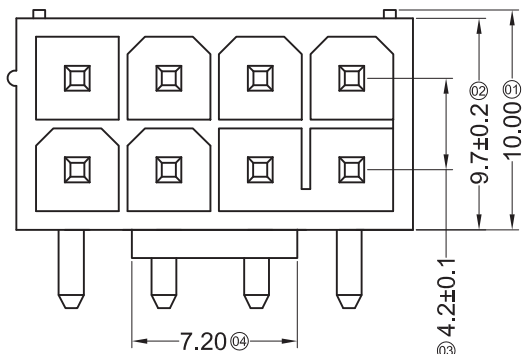
F

|      |             |      |         |          |                        |      |
|------|-------------|------|---------|----------|------------------------|------|
| △ X  |             |      |         |          | ANGULAR                | ±5°  |
| △ X  |             |      |         |          | L ≤ 4                  | ±0.2 |
| △ X  |             |      |         |          | 4 < L ≤ 16             | ±0.3 |
| MARK | DESCRIPTION | DATE | REVISED | APPROVED | 16 < L ≤ 63            | ±0.4 |
|      |             |      |         |          | L > 63                 | ±0.5 |
|      |             |      |         |          | UNSPECIFIED TOLERANCES |      |

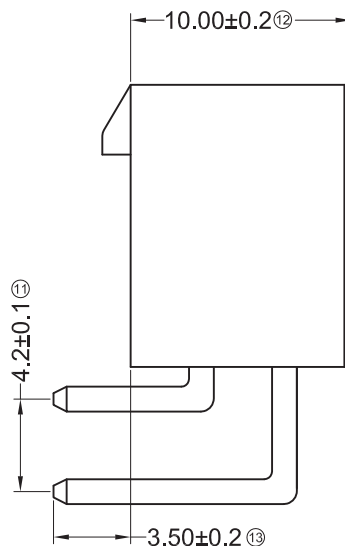
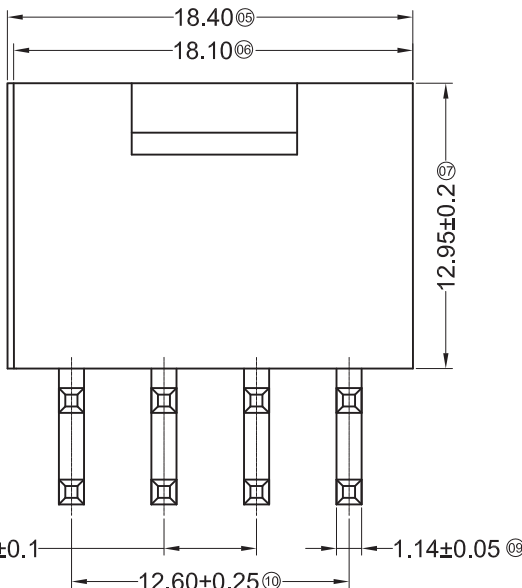
|      |  |      |  |            |                                    |          |
|------|--|------|--|------------|------------------------------------|----------|
| DSND |  | DATE |  | SCALE: N/A | MODEL TYPE:<br>X9357WR-2*04EH-XXXX |          |
| DWN  |  | DATE |  | VIEW:      | PART NO.:                          |          |
| CHKD |  | DATE |  | UNIT: mm   | 4.20 mm Crimp Style Connectors     |          |
| APPD |  | DATE |  | SIZE: A4   | DWG NO.:                           |          |
|      |  |      |  | WEIGHT     | SHEET                              | REVISION |
|      |  |      |  | 1.0g       | 1/1                                | A0       |

**XKB INDUSTRIAL PRECISION CO., LIMITED**

1 2 3 4 5 6 7 8



P.C.B LAYOUT



Specifications :

- Voltage rating: 600V AC / DC
- Current rating: 9A AC / DC
- Withstanding voltage: 1500V AC/minute
- Temperature range: -25°C~+85°C
- Insulation resistance: ≥1000MΩ
- Contact resistance: ≤10mΩ
- After environmental testing: ≤20mΩ

X9357 W R X-2\*04 CP- N2 SN XX

① ② ③ ④ ⑤ ⑥ ⑦ ⑧ ⑨

- ① Series No.
- ② Category: W-Wafer
- ③ Welding Board Angle: R-90°
- ④ Welding Way: Blank-DIP
- ⑤ Row No.-Pin No.: 2\*04-Double Row
- ⑥ Plug the Pin & Special NO.  
CP-the 7P-8P Connected Without the Positioning Column
- ⑦ Material: N2-PA66 94V-2
- ⑧ Planting Category:  
SN-Bright tin plating 70u"  
SW-Fog Tin plating
- ⑨ Color: Blank-natural color

|                     |                   |               |             |                       |
|---------------------|-------------------|---------------|-------------|-----------------------|
| X9357WR-2*04CP-N2SN | Nylon 66 UL 94V-2 | Brass         | Tin-Plated  | X9357H                |
| PART NO             | Material          | Material(Pin) | Finish(Pin) | Suitable XKB Terminal |

For and on behalf of  
**XKB INDUSTRIAL PRECISION CO., LIMITED**  
**香港星坤工業精密有限公司**

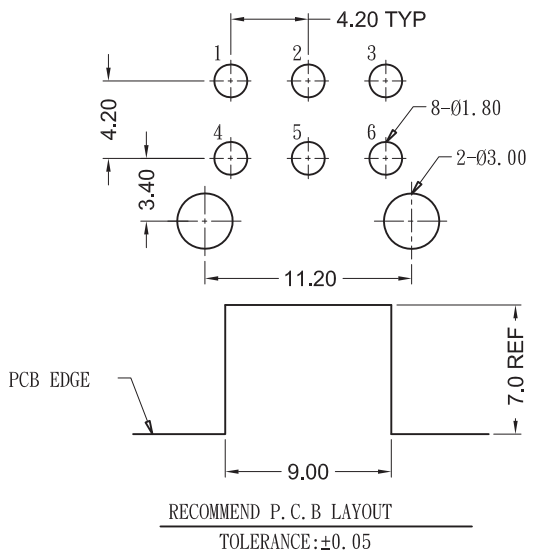
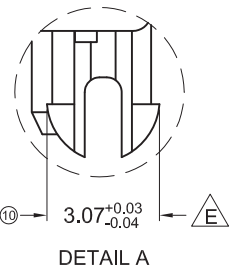
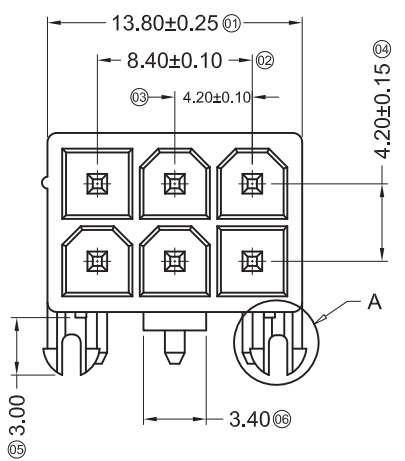
Authorized Signature(s)

|      |      |            |                                    |
|------|------|------------|------------------------------------|
| DSND | DATE | SCALE: N/A | MODEL TYPE:<br>X9357WR-2*04CP-N2SN |
| DWN  | DATE | VIEW:      | PART NO.:                          |
| CHKD | DATE | UNIT: mm   | 4.20 mm Crimp Style Connectors     |
| APPD | DATE | SIZE: A4   | DWG NO.:                           |
|      |      |            | WEIGHT                             |
|      |      |            | 1.0g                               |
|      |      |            | SHEET                              |
|      |      |            | 1/1                                |
|      |      |            | REVISION                           |
|      |      |            | A0                                 |

**XKB INDUSTRIAL PRECISION CO., LIMITED**

1 2 3 4 5 6 7 8

A

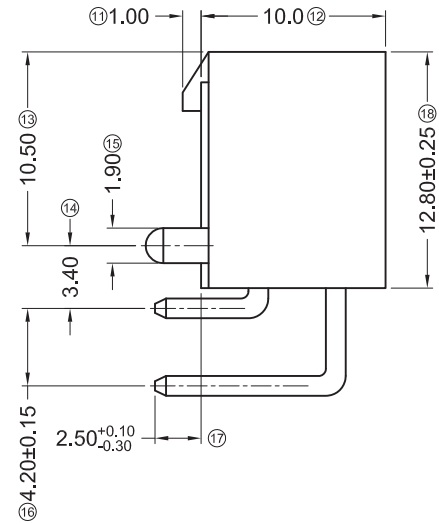
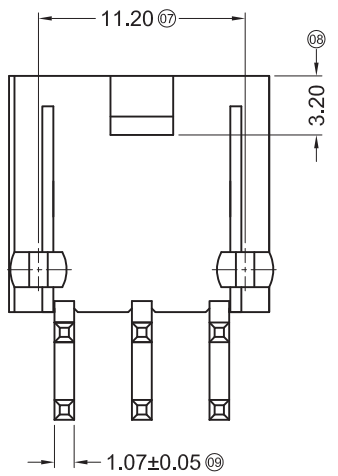


- Specifications :
- Voltage rating: 600V AC / DC
  - Current rating: 9A AC / DC
  - Withstanding voltage: 1500V AC/minute
  - Temperature range: -25°C~+85°C
  - Insulation resistance: ≥1000MΩ
  - Contact resistance: ≤10mΩ
  - After environmental testing: ≤20mΩ

X9357 W R X-2\*03 SE-LP SW XX  
 ① ② ③ ④ ⑤ ⑥ ⑦ ⑧ ⑨

- ① Series No.
- ② Category: W-wafer
- ③ Welding Board Angle: R- Right Angle 90°
- ④ Welding Way: Blank-DIP
- ⑤ Row No.-Pin No.: 2\*03-2\*03P
- ⑥ Plug the Pin & Special No.:  
SE-With Post, Reversd Lock,  
the 5th Pin Foolproof
- ⑦ Material: LP-LCP 94V-0
- ⑧ Plating Category: SW-Matte tin plating
- ⑨ Color: Blank-Natural Color Black

C



D

E

|                     |              |               |                   |                       |
|---------------------|--------------|---------------|-------------------|-----------------------|
| X9357WR-2*03SE-LPSW | LCP UL 94V-0 | Brass         | Matte tin Plating | X9357H                |
| PART NO             | Material     | Material(Pin) | Finish(Pin)       | Suitable XKB Terminal |

For and on behalf of  
**XKB INDUSTRIAL PRECISION CO., LIMITED**  
 香港星坤工業精密有限公司

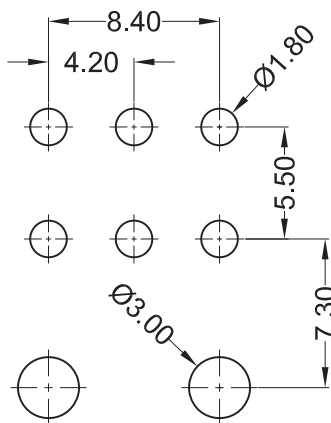
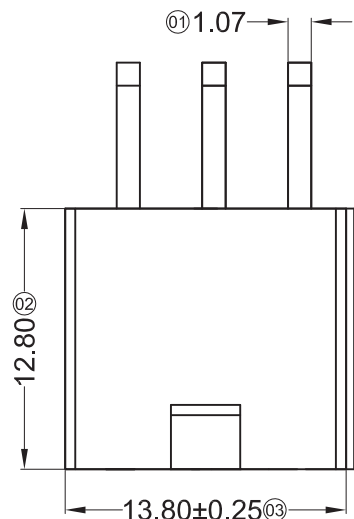
F

|      |             |      |         |          |                        |             |      |
|------|-------------|------|---------|----------|------------------------|-------------|------|
| △ X  | DESCRIPTION | DATE | REVISED | APPROVED | UNSPECIFIED TOLERANCES | ANGULAR     | ±5°  |
| △ X  |             |      |         |          |                        | L ≤ 4       | ±0.2 |
| △ X  |             |      |         |          |                        | 4 < L ≤ 16  | ±0.3 |
| MARK |             |      |         |          |                        | 16 < L ≤ 63 | ±0.4 |
|      |             |      |         |          |                        | L > 63      | ±0.5 |

|      |      |            |                                    |
|------|------|------------|------------------------------------|
| DSND | DATE | SCALE: N/A | MODEL TYPE:<br>X9357WR-2*03SE-LPSW |
| DWN  | DATE | VIEW:      | PART NO.:                          |
| CHKD | DATE | UNIT: mm   | 4.20 mm Crimp Style Connector:     |
| APPD | DATE | SIZE: A4   | DWG NO.:                           |
|      |      | WEIGHT     | SHEET                              |
|      |      | 1.0g       | 1/1                                |
|      |      | REVISION   | A0                                 |

**XKB INDUSTRIAL PRECISION CO., LIMITED**

1 2 3 4 5 6 7 8



Recommended P.C.B Layout  
General Tolerance±0.05

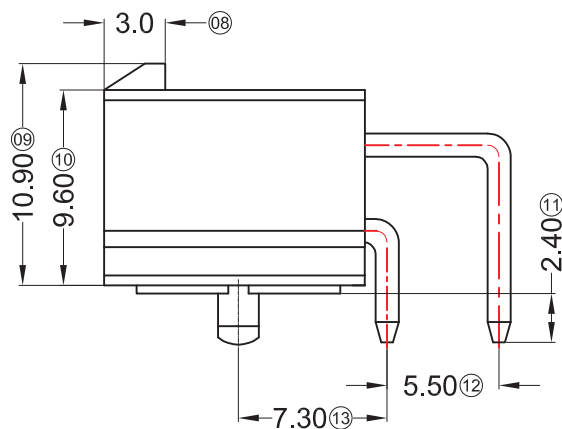
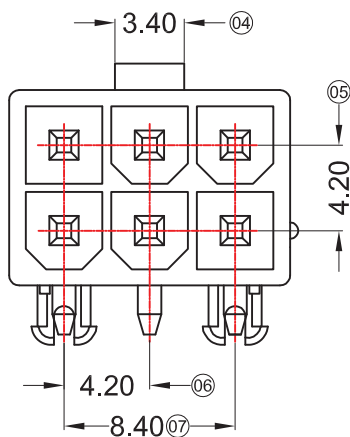
■ Specifications :

- Voltage rating: 600V AC / DC
- Current rating: 9A AC / DC
- Withstanding voltage: 1500V AC/minute
- Temperature range: -25°C~+85°C
- Insulation resistance: ≥1000MΩ
- Contact resistance: ≤10mΩ
- After environmental testing: ≤20mΩ

X9357 W R X-2\*03 SB1-9T SW XX

① ② ③ ④ ⑤ ⑥ ⑦ ⑧ ⑨

- ① 系列
- ② 类别: W-Wafer
- ③ 外观形态: R- Right Angle 90°
- ④ 成型方式: 空码-DIP
- ⑤ PIN数: 2\*03-2\*03P
- ⑥ 空码位置及特殊码:  
SB1-带定位柱、第五PIN防呆, 插板2.40mm
- ⑦ 材质: 9T-PA9T 94V-0
- ⑧ 电镀类别: SW-镀雾锡
- ⑨ 颜色: 空码-黑色



|                      |                   |               |             |                       |
|----------------------|-------------------|---------------|-------------|-----------------------|
| X9357WR-2*03SB1-9TSW | Nylon 9T UL 94V-0 | Brass         | Matte tin   | X9357H                |
| PART NO              | Material          | Material(Pin) | Finish(Pin) | Suitable XKB Terminal |

For and on behalf of  
**XKB INDUSTRIAL PRECISION CO., LIMITED**  
香港星坤工業精密有限公司

Authorized Signature(s)

|      |             |      |         |          |                        |      |      |            |                                     |       |          |
|------|-------------|------|---------|----------|------------------------|------|------|------------|-------------------------------------|-------|----------|
| △ X  | DESCRIPTION | DATE | REVISED | APPROVED | UNSPECIFIED TOLERANCES | DSND | DATE | SCALE: N/A | MODEL TYPE:<br>X9357WR-2*03SB1-9TSW |       |          |
| △ X  |             |      |         |          |                        | DWN  | DATE | VIEW:      | PART NO.:                           |       |          |
| △ X  |             |      |         |          |                        | CHKD | DATE | UNIT: mm   | 4.20 mm Crimp Style Connectors      |       |          |
| MARK |             |      |         |          |                        | APPD | DATE | SIZE: A4   | DWG NO.:                            |       |          |
|      |             |      |         |          |                        |      |      |            | WEIGHT                              | SHEET | REVISION |
|      |             |      |         |          |                        |      |      |            | 1.0g                                | 1/1   | A0       |

XKB INDUSTRIAL PRECISION CO., LIMITED



## X-ON Electronics

Largest Supplier of Electrical and Electronic Components

*Click to view similar products for [Headers & Wire Housings](#) category:*

*Click to view products by [XKB](#) manufacturer:*

Other Similar products are found below :

[57102-F02-18ULF](#) [58102-G61-06LF](#) [0009485154](#) [009176003701906](#) [0050291907](#) [02.125.8002.8](#) [609-3404](#) [61062-3](#) [622-0430](#) [622-3653LF](#)  
[63453-116](#) [636-1030](#) [636-1427](#) [636-3427](#) [636-4007](#) [641938-9](#) [644827-2](#) [65495-038](#) [65692-001LF](#) [65781-018](#) [65781-047](#) [65817-010LF](#)  
[65817-015LF](#) [66207-023LF](#) [67016-026LF](#) [67095-007LF](#) [68631-112](#) [68645-018](#) [68648-049](#) [699319-000](#) [70.362.1628.0](#) [70-4210](#) [70-4226B](#)  
[70-4853B](#) [707-5020](#) [707-5028](#) [71.350.2428.0](#) [71961-016LF](#) [733-134](#) [754199-000](#) [760-3052](#) [787-8014-00](#) [FCN-367T-T012/H](#) [80.063.4001.1](#)  
[800-90-001-10-001000](#) [800-90-010-10-002000](#) [801-43-002-10-013000](#) [801-43-006-10-002000](#) [803-41-018-10-001000](#) [803-43-014-20-](#)  
[001000](#)