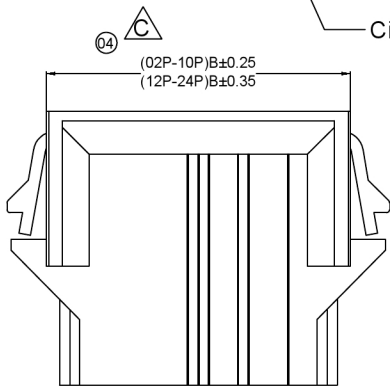
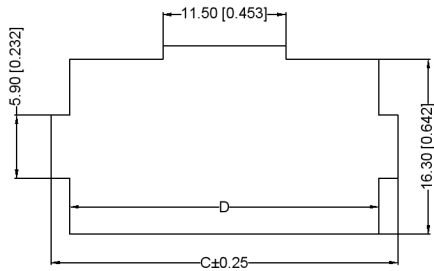
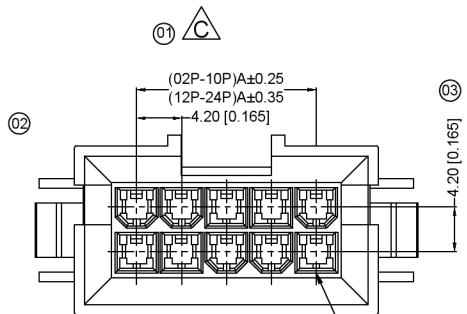
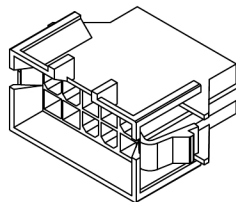
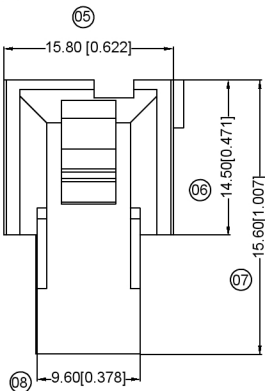


Xi:B



Circuit 1



Specifications:  
 规格: **XKB**  
 Voltage rating:600V AC/DC  
 额定电压: 60V AC/DC  
 Current rating:9A AC/DC  
 额定电流: 9A AC/DC  
 Withstanding voltage:1500V AC/minute  
 耐受电压: 1500V AC/分钟  
 Temperature range:-25℃+85℃  
 温度范围: -25℃+85℃  
 Insulation resistance:≥1000MΩ  
 绝缘电阻: ≥1000MΩ  
 Contact resistance:≤10mΩ  
 接触电阻: ≤10mΩ  
 After environmental testing:≤20mΩ  
 环境测试后: ≤20mΩ

X9357 H F-2\*XX B-NO XX  
 01 02 03 04 05 06 07

- 01 Series No.
- 02 Category:H-HSG
- 03 Welding Board Angle:  
Blank-ordinaryF-Fmale HGS
- 04 Row No.-Pin No.:2\*XX-Doublerow
- 05 Plug the Pin & special No.: B-With a trough
- 06 Material:NO-PA66 94V-0
- 07 Color:Blank-natural color

| Poles | Dimensions(mm) |       |       |       |
|-------|----------------|-------|-------|-------|
|       | A              | B     | C     | D     |
| 04    | 4.20           | 15.80 | 19.80 | 16.30 |
| 06    | 8.40           | 20.00 | 24.00 | 20.50 |
| 08    | 12.60          | 24.20 | 28.20 | 24.70 |
| 10    | 16.80          | 28.40 | 32.40 | 28.90 |
| 14    | 25.20          | 26.80 | 40.80 | 37.30 |
| 18    | 33.60          | 45.20 | 49.20 | 45.70 |
| 20    | 37.80          | 19.40 | 53.40 | 49.90 |
| 22    | 46.20          | 67.80 | 61.80 | 58.30 |

广东星坤科技股份有限公司

生 日期  
 發 日期

文件工程章

REVISIONS  
 www.heloxkb.com

| XKB         | ANGLR | ±5°  |
|-------------|-------|------|
| L ≤ 4       |       | ±0.2 |
| 4 < L ≤ 16  |       | ±0.3 |
| 16 < L ≤ 63 |       | ±0.4 |
| L > 63      |       | ±0.5 |

UNSPECIFIED TOLERANCES

| X9357HF-2*XKB-NO                     | Nylon 66 UL 94V-0 | 9357TM                 | X9357HM-B                                  | 9357WR-B |
|--------------------------------------|-------------------|------------------------|--|----------|
| PART NO                              | Material          | Suitable Xi:B Terminal | Suitable Xi:B Terminal                     |          |
| DSND                                 | DATE              | SCALE: N/A             | MODEL TYPE:<br>X9357HF-2*XKB-NO            |          |
| DWNN                                 | DATE              | VIEW:                  | PART NO.:<br>2.40mm Crimp Style Connectors |          |
| CHKD                                 | DATE              | UNIT: mm/in            | DWG NO.:                                   |          |
| APPD                                 | DATE              | SIZE: A4               |  |          |
| XKB INDUSTRIAL PRECISION CO.,LIMITED |                   |                        | WEIGHT                                     | SHEET    |
|                                      |                   |                        | 1.0g                                       | 1/1      |
|                                      |                   |                        | REVISION                                   | A0       |

## X-ON Electronics

Largest Supplier of Electrical and Electronic Components

*Click to view similar products for [Headers & Wire Housings](#) category:*

*Click to view products by [XKB](#) manufacturer:*

Other Similar products are found below :

[57102-F02-18ULF](#) [58102-G61-06LF](#) [582553-1](#) [009176003701906](#) [01.001.5753.1](#) [0050291907](#) [02.125.8002.8](#) [609-3404](#) [61062-3](#)  
[CSU011177004](#) [622-0430](#) [622-3653LF](#) [63453-116](#) [636-1030](#) [636-1427](#) [636-3427](#) [636-4007](#) [641938-9](#) [644827-2](#) [65495-038](#) [65692-001LF](#)  
[65781-018](#) [65781-047](#) [65817-010LF](#) [65817-015LF](#) [66207-023LF](#) [67095-007LF](#) [67601157](#) [68631-112](#) [68645-018](#) [699319-000](#)  
[M90C108951C](#) [70.362.1628.0](#) [70-4210](#) [70-4226B](#) [70-4853B](#) [707-5028](#) [71.350.2428.0](#) [71961-016LF](#) [733-134](#) [733-162](#) [754199-000](#) [760-](#)  
[3052](#) [80.063.4001.1](#) [800-90-001-10-001000](#) [800-90-010-10-002000](#) [801-43-002-10-013000](#) [801-43-006-10-002000](#) [803-41-018-10-001000](#)  
[803-43-024-10-001000](#)