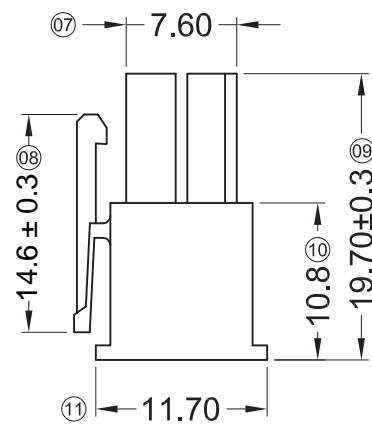
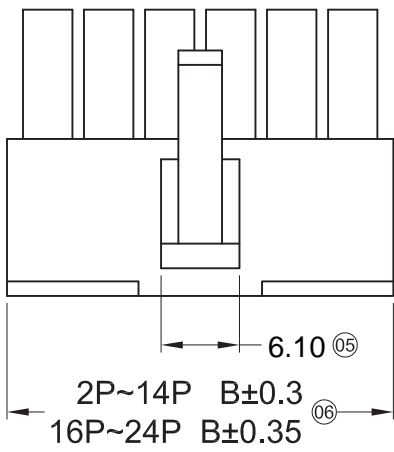
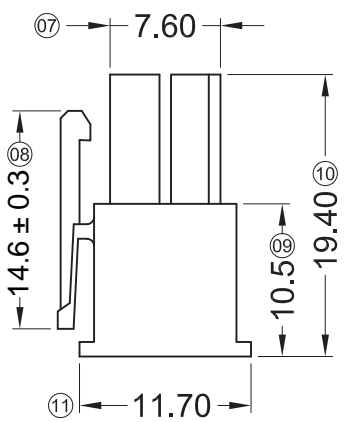
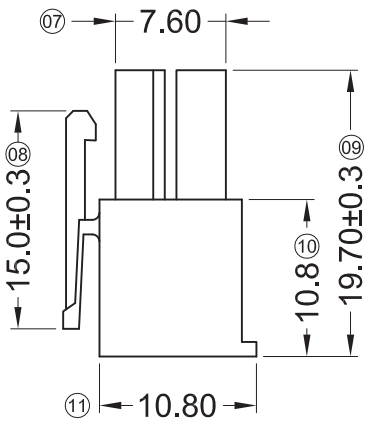
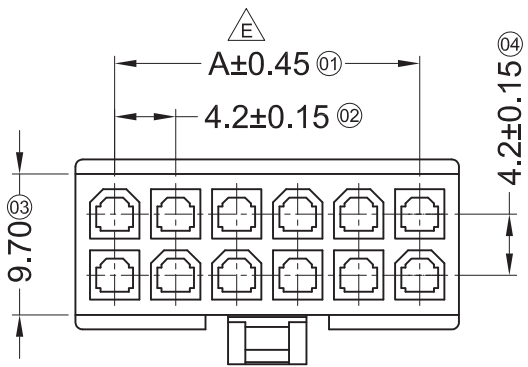


1 2 3 4 5 6 7 8

A B C D E F

A B C D E F



■ Specifications :

- Voltage rating: 600V AC / DC
- Current rating: 9A AC / DC
- Withstanding voltage: 1500V AC/minute
- Temperature range: -25°C~+85°C
- Insulation resistance: ≥1000MΩ
- Contact resistance: ≤10mΩ
- After environmental testing: ≤20mΩ

X9357 H M-2\*XX XX-XX XX

① ② ③ ④ ⑤ ⑥ ⑦

- ① Series No.
- ② Category: H-HSG
- ③ Welding Board Angle: M-Male HSG
- ④ Row No.-Pin No.: 2\*XX-2\*01P~2\*12P
- ⑤ Plug the Pin & special No.:
- ⑥ Material: N0-PA66 94V-0; N2-PA66 94V-2
- ⑦ Color: Blank-Natural Color ; BK-Black

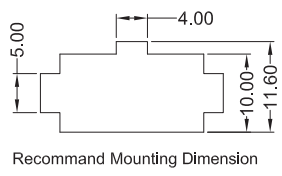
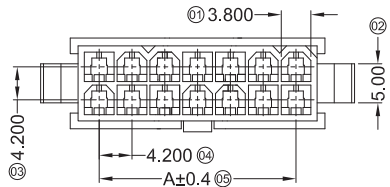
Poles	Dimensions(mm)		Poles	Dimensions(mm)	
	A	B		A	B
2*01	/	5.50	2*07	25.20	30.70
2*02	4.20	9.70	2*08	29.40	34.90
2*03	8.40	13.90	2*09	33.60	39.10
2*04	12.60	18.10	2*10	37.80	43.30
2*05	16.80	22.30	2*11	42.00	47.50
2*06	21.00	26.50	2*12	46.20	51.70

△ D	Part No	Material	Suitable XKB Terminal	Suitable XKB Terminal
	X9357HM-2*XX-N2BK	Nylon 66 94V-2 Black	X9357TF	X9357W Or 9357H
	X9357HM-2*XX-LP	LCP 94V-0		
	X9357HM-2*XX-N2	Nylon 66 94V-2		
	X9357HM-2*XX-N0	Nylon 66 94V-0		
	PART NO	Material	Suitable XKB Terminal	Suitable XKB Terminal

For and on behalf of  
**XKB INDUSTRIAL PRECISION CO., LIMITED**  
 香港星坤工業精密有限公司

MARK	DESCRIPTION	DATE	REVISED	APPROVED	UNSPECIFIED TOLERANCES	DSND	DATE	SCALE: N/A	MODEL TYPE: X9357HM-2*XX-XX
△ X					ANGULAR ±5°	DWN	DATE	VIEW:	PART NO.:
△ X					L ≤ 4 ±0.2	CHKD	DATE	UNIT: mm	4.20mm Crimp Style Connectors
△ X					4 < L ≤ 16 ±0.3	APPD	DATE	SIZE: A4	DWG NO.:
△ X					16 < L ≤ 63 ±0.4	<b>XKB INDUSTRIAL PRECISION CO., LIMITED</b>			
△ X					L > 63 ±0.5				
REVISIONS						WEIGHT	SHEET	REVISION	
Authorized Signature(s)						1.0g	1/1	A0	

1 2 3 4 5 6 7 8



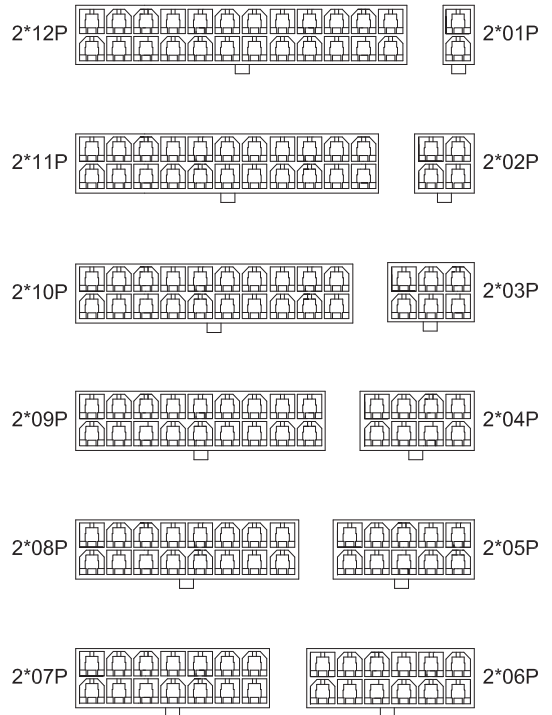
Recommend Mounting Dimension

■ Specifications :

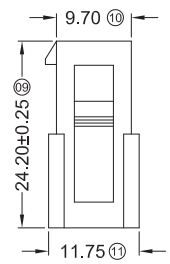
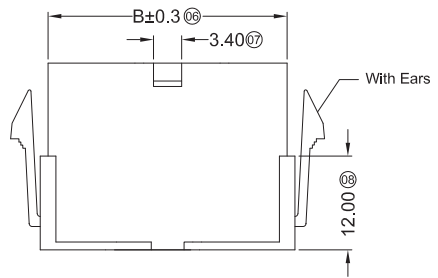
- Voltage rating: 600V AC / DC
- Current rating: 9A AC / DC
- Withstanding voltage: 1500V AC/minute
- Temperature range: -25°C~+85°C
- Insulation resistance: ≥1000MΩ
- Contact resistance: ≤10mΩ
- After environmental testing: ≤20mΩ

X9357 H F-2\*XX X-XX XX  
① ② ③ ④ ⑤ ⑥ ⑦

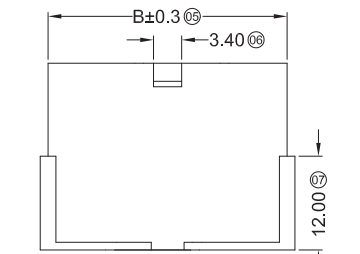
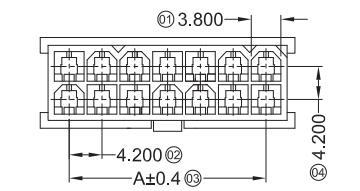
- ① Series No.
- ② Category: H-HSG
- ③ Welding Board Angle: F-Female
- ④ Row No.-Pin No.: 2\*XX-2\*01P~2\*12P
- ⑤ Plug the Pin & special No.:  
I-Without the Wing; G-With the Wing
- ⑥ Material: N0-PA66 94V-0; N2-PA66 94V-2
- ⑦ Color : Blank-Natural Color  
BK-Black



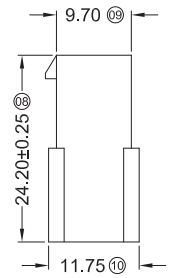
Poles	Dimensions(mm)		Poles	Dimensions(mm)	
	A	B		A	B
2*01	--	5.60	2*07	25.20	30.80
2*02	4.20	9.80	2*08	29.40	35.00
2*03	8.40	14.00	2*09	33.60	39.20
2*04	12.60	18.20	2*10	37.80	43.40
2*05	16.80	22.40	2*11	42.00	47.60
2*06	21.00	26.60	2*12	46.20	51.80



With Ears



Without Ears



E	X9357HF-2*XXI-N2BK	Nylon 66 94V-2 Black	X9357TM	X9357W Or 9357H	Without Ears
	X9357HF-2*XXG-N2	Nylon 66 94V-2			With Ears
	X9357HF-2*XXI-N2	Nylon 66 94V-2			Without Ears
	X9357HF-2*XXG-N0	Nylon 66 94V-0			With Ears
	X9357HF-2*XXI-N0	Nylon 66 94V-0			Without Ears
	PART N0	Material	Suitable XKB Terminal	Suitable XKB Terminal	Note

For and on behalf of  
**XKB INDUSTRIAL PRECISION CO., LIMITED**  
**香港星坤工業精密有限公司**

△ X					ANGULAR	±5°
△ X					L ≤ 4	±0.2
△ X					4 < L ≤ 16	±0.3
MARK	DESCRIPTION	DATE	REVISED	APPROVED	16 < L ≤ 63	±0.4
					L > 63	±0.5
					UNSPECIFIED TOLERANCES	

DSND	DATE	SCALE: N/A	MODEL TYPE: X9357HF-2*XXX-XX
DWN	DATE	VIEW:	PART NO.:
CHKD	DATE	UNIT: mm	4.20 mm Crimp Style Connectors
APPD	DATE	SIZE: A4	DWG NO.:
XKB INDUSTRIAL PRECISION CO., LIMITED			WEIGHT 1.0g
			SHEET 1/1
			REVISION A0

Authorized Signature(s)

1 2 3 4 5 6 7 8

A

B

C

D

E

F

A

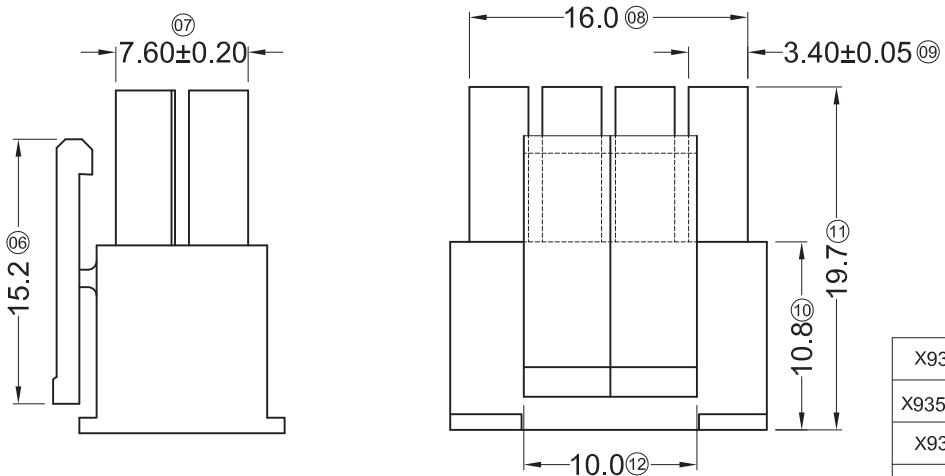
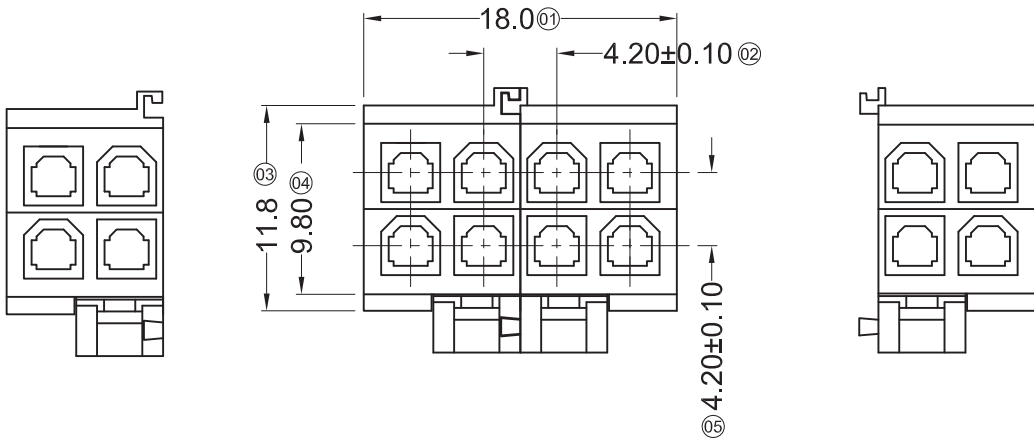
B

C

D

E

F



**Specifications :**

- Voltage rating: 600V AC / DC
- Current rating: 9A AC / DC
- Withstanding voltage: 1500V AC/minute
- Temperature range: -25°C~+85°C
- Insulation resistance: ≥1000MΩ
- Contact resistance: ≤10mΩ
- After environmental testing: ≤20mΩ

X9357 H M-2\*04 A- XX XX

① ② ③ ④ ⑤ ⑥ ⑦

- ① Series No.
- ② Category: H-HSG
- ③ Appearance type: M-Male HSG
- ④ Row No.-Pin No.: 2\*XX-Double Row
- ⑤ Plug the Pin & Special No.: A- 4+4P Type
- ⑥ Material : N0-PA66 94V-0 ; N2-PA66 94V-2
- ⑦ Color: Blank-Natural Color; BK-Black

X9357HM-2*04A-N2	Nylon 66 94V-2	Natural Color	X9357TF	X9357W Or 9357H
X9357HM-2*04A-N2BK		Black		
X9357HM-2*04A-N0	Nylon 66 94V-0	Natural Color		
X9357HM-2*04A-N0BK		Black		
PART NO	Material	Color	Suitable XKB Terminal	Suitable XKB Terminal

For and on behalf of  
**XKB INDUSTRIAL PRECISION CO., LIMITED**  
 香港星坤工業精密有限公司

△ X					ANGULAR	±5°	DSND		DATE		SCALE: N/A	MODEL TYPE: X9357HM-2*04A-XXXX	
△ X					L ≤ 4	±0.2	DWN		DATE		VIEW:	PART NO.:	
△ X					4 < L ≤ 16	±0.3	CHKD		DATE		UNIT: mm	4.20 mm Crimp Style Connectors	
△ X					16 < L ≤ 63	±0.4	APPD		DATE		SIZE: A4	DWG NO.:	
MARK	DESCRIPTION	DATE	REVISED	APPROVED	L > 63	±0.5							
REVISIONS						UNSPECIFIED TOLERANCES	<b>XKB INDUSTRIAL PRECISION CO., LIMITED</b>				WEIGHT	SHEET	REVISION
											1.0g	1/1	A0

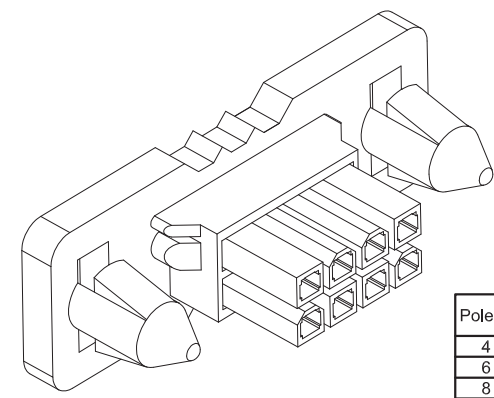
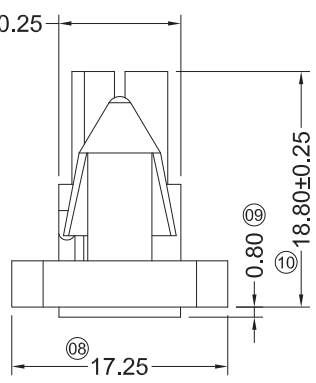
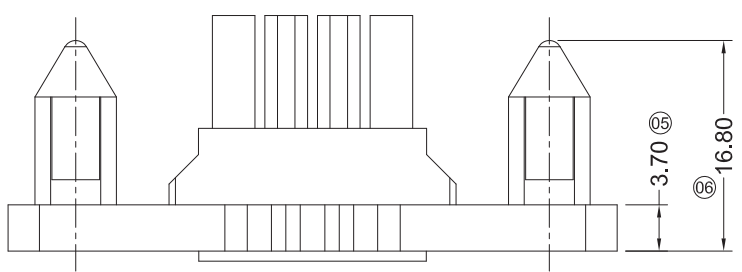
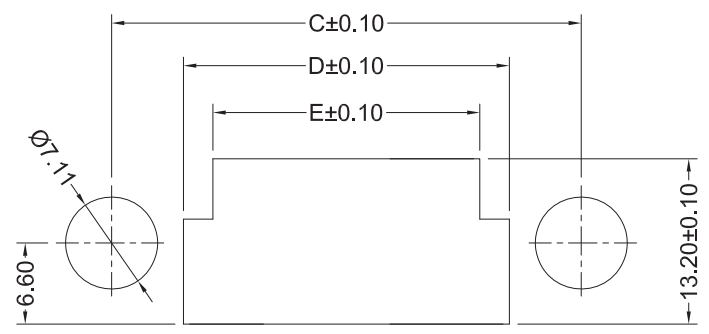
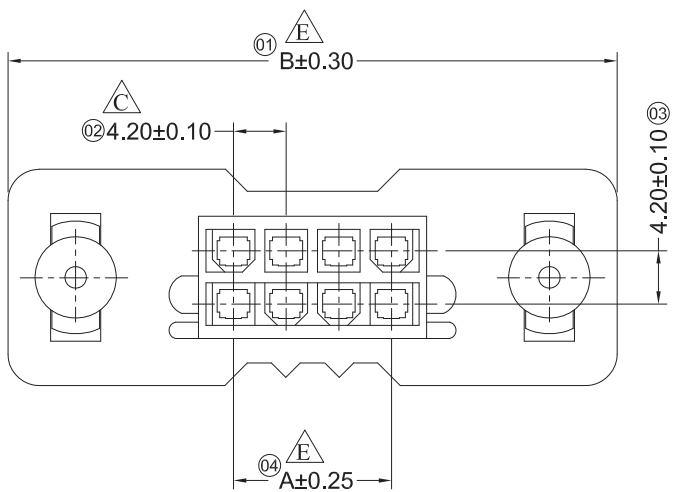
1 2 3 4 5 6 7 8

■ Specifications :

- Voltage rating: 600V AC / DC
- Current rating: 9A AC / DC
- Withstanding voltage: 1500V AC/minute
- Temperature range: -25°C~+85°C
- Insulation resistance: ≥1000MΩ
- Contact resistance: ≤10mΩ
- After environmental testing: ≤20mΩ

X9357 H M - 2\*XX B -N2 XX

- ① Series No.
- ② Category: H-HSG
- ③ Welding Board Angle: M-Male HGS
- ④ Row No.-Pin No.: 2\*XX-Double row
- ⑤ Plug the Pin & special No.B-With the back seat
- ⑥ Material: N2-PA66 94V-2
- ⑦ Color: Blank-natural color



Poles	Dimensions (mm)				
	A	B	C	D	E
4	4.20	40.20	29.20	17.60	12.90
6	8.40	44.40	33.40	21.80	17.10
8	12.60	48.60	37.60	26.00	21.30
10	16.80	52.80	41.80	30.20	25.50
12	21.00	57.00	46.00	34.40	29.70
14	25.20	61.20	50.20	38.60	33.90
16	29.40	65.40	54.40	42.80	38.10
18	33.60	69.60	58.60	47.00	42.30
20	37.80	73.80	62.80	51.20	46.50
22	42.00	78.00	67.00	55.40	50.70
24	46.20	82.20	71.20	59.60	54.90
36	71.40	107.40	96.40	81.50	76.78

X9357HM-2*XXB-N2	Nylon 66 94V-2	X9357TF	X9357HF-B
PART NO	Material	Suitable XKB Terminal	Suitable XKB Terminal

For and on behalf of  
**XKB INDUSTRIAL PRECISION CO., LIMITED**  
 香港星坤工業精密有限公司

△ X					ANGULAR	±5°
△ X					L ≤ 4	±0.2
△ X					4 < L ≤ 16	±0.3
△ X					16 < L ≤ 63	±0.4
MARK	DESCRIPTION	DATE	REVISED	APPROVED	L > 63	±0.5
REVISIONS					UNSPECIFIED TOLERANCES	

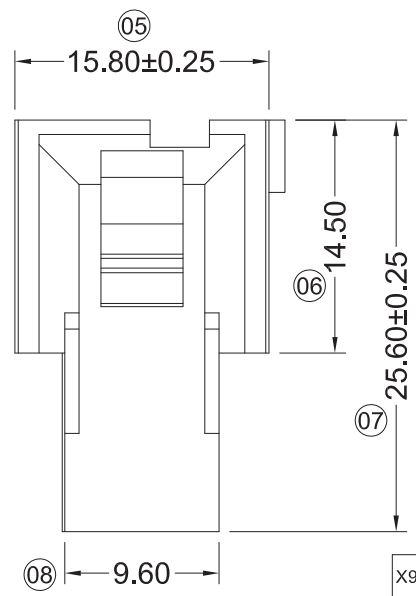
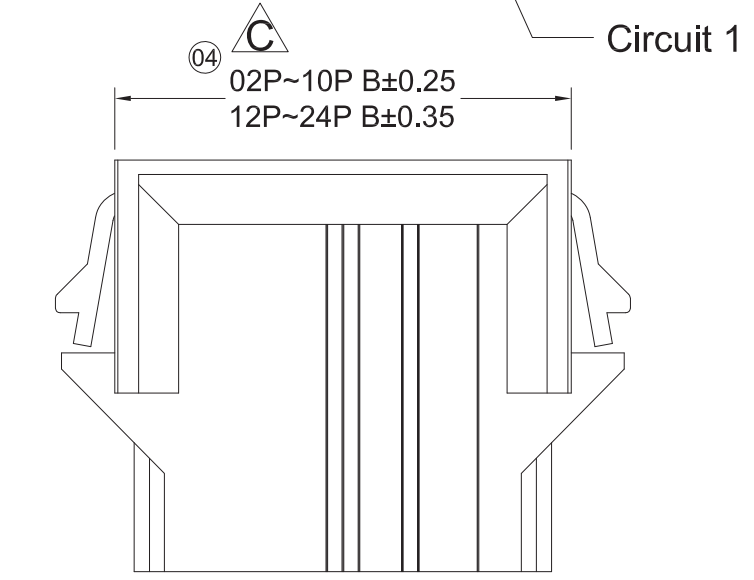
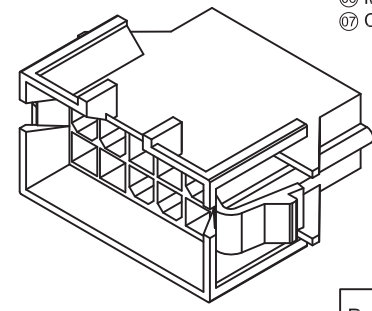
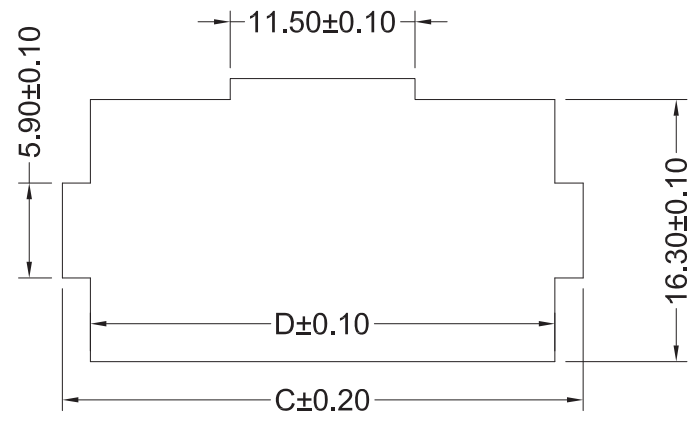
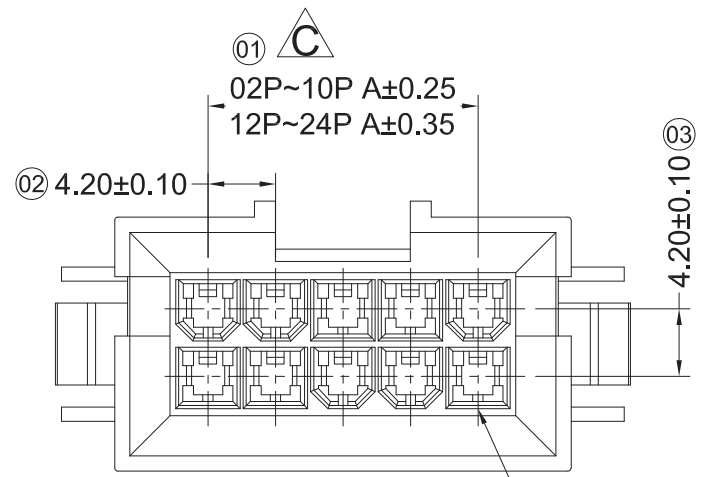
DSND	DATE	SCALE: N/A	MODEL TYPE: X9357HM-2*XXB-N2		
DWN	DATE	VIEW:	PART NO.:		
CHKD	DATE	UNIT: mm	4.20mm Crimp Style Connectors		
APPD	DATE	SIZE: A4	DWG NO.:		
XKB INDUSTRIAL PRECISION CO., LIMITED			WEIGHT	SHEET	REVISION
			1.0g	1/1	A0

1 2 3 4 5 6 7 8

- Specifications :
- Voltage rating: 600V AC / DC
  - Current rating: 9A AC / DC
  - Withstanding voltage: 1500V AC/minute
  - Temperature range: -25°C~+85°C
  - Insulation resistance: ≥1000MΩ
  - Contact resistance: ≤10mΩ
  - After environmental testing: ≤20mΩ

X9357 H F - 2\*XX B - N2 XX  
 ① ② ③ ④ ⑤ ⑥ ⑦

- ① Series No.
- ② Category: H-HSG
- ③ Welding Board Angle:  
Blank-ordinary F-Female HGS
- ④ Row No.-Pin No.: 2\*XX-Double row
- ⑤ Plug the Pin & special No.: B-With a trough
- ⑥ Material: N2-PA66 94V-2
- ⑦ Color: Blank-natural color



Poles	Dimensions (mm)			
	A	B	C	D
04	4.20	15.80	19.80	16.30
06	8.40	20.00	24.00	20.50
08	12.60	24.20	28.20	24.70
10	16.80	28.40	32.40	28.90
14	25.20	36.80	40.80	37.30
18	33.60	45.20	49.20	45.70
20	37.80	49.40	53.40	49.90
22	46.20	57.80	61.80	58.30

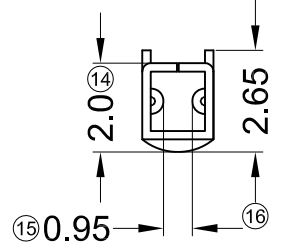
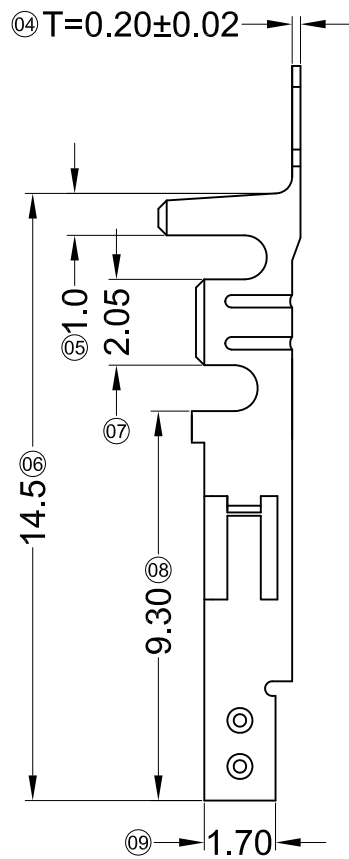
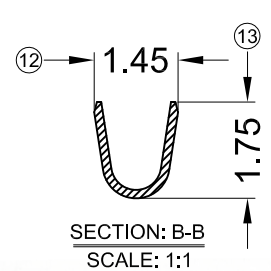
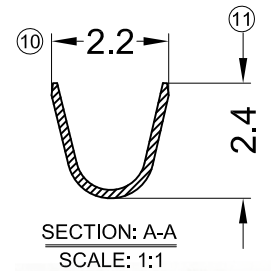
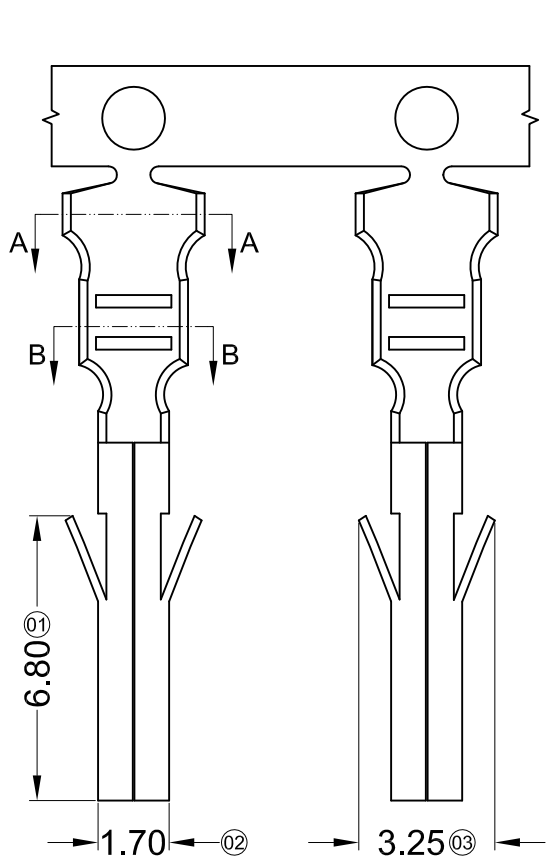
X9357HF-2*XXB-N2	Nylon 66 UL 94V-2	9357TM	X9357HM-B、9357WR-B
PART NO	Material	Suitable XKB Terminal	Suitable XKB Terminal

For and on behalf of  
**XKB INDUSTRIAL PRECISION CO., LIMITED**  
 香港星坤工業精密有限公司

△ X					ANGULAR	±5°	
△ X					L ≤ 4	±0.2	
△ X					4 < L ≤ 16	±0.3	
△ X					16 < L ≤ 63	±0.4	
MARK					L > 63	±0.5	
	DESCRIPTION	DATE	REVISED	APPROVED	UNSPECIFIED TOLERANCES		
	REVISIONS					Authorized Signature(s)	

DSND		DATE		SCALE: N/A	MODEL TYPE: X9357HF-2*XXB-N2	
DWN		DATE		VIEW:	PART NO.:	
CHKD		DATE		UNIT: mm	4.20mm Crimp Style Connectors	
APPD		DATE		SIZE: A4	DWG NO.:	
	XKB INDUSTRIAL PRECISION CO., LIMITED			WEIGHT	SHEET	REVISION
				1.0g	1/1	A0

1 2 3 4 5 6 7 8



**Specifications :**

- Voltage rating: 600V AC / DC
- Current rating: 9A AC / DC
- Withstanding voltage: 1500V AC/minute
- Temperature range: -25°C~+85°C
- Insulation resistance: ≥1000MΩ
- Contact resistance: ≤10mΩ
- After environmental testing: ≤20mΩ

**X9357 T F-X SN X-M**

① ② ③ ④ ⑤ ⑥ ⑦

- ① Series Number
- ② Category: T-terminal
- ③ Shape: F-Female
- ④ Material: B-Brass; P-Phosphor Bronze
- ⑤ Plating style: SN-Bright tin plating
- ⑥ Plating method: Blank-Stamping before plating;
- ⑦ Special No: M-Low Leads

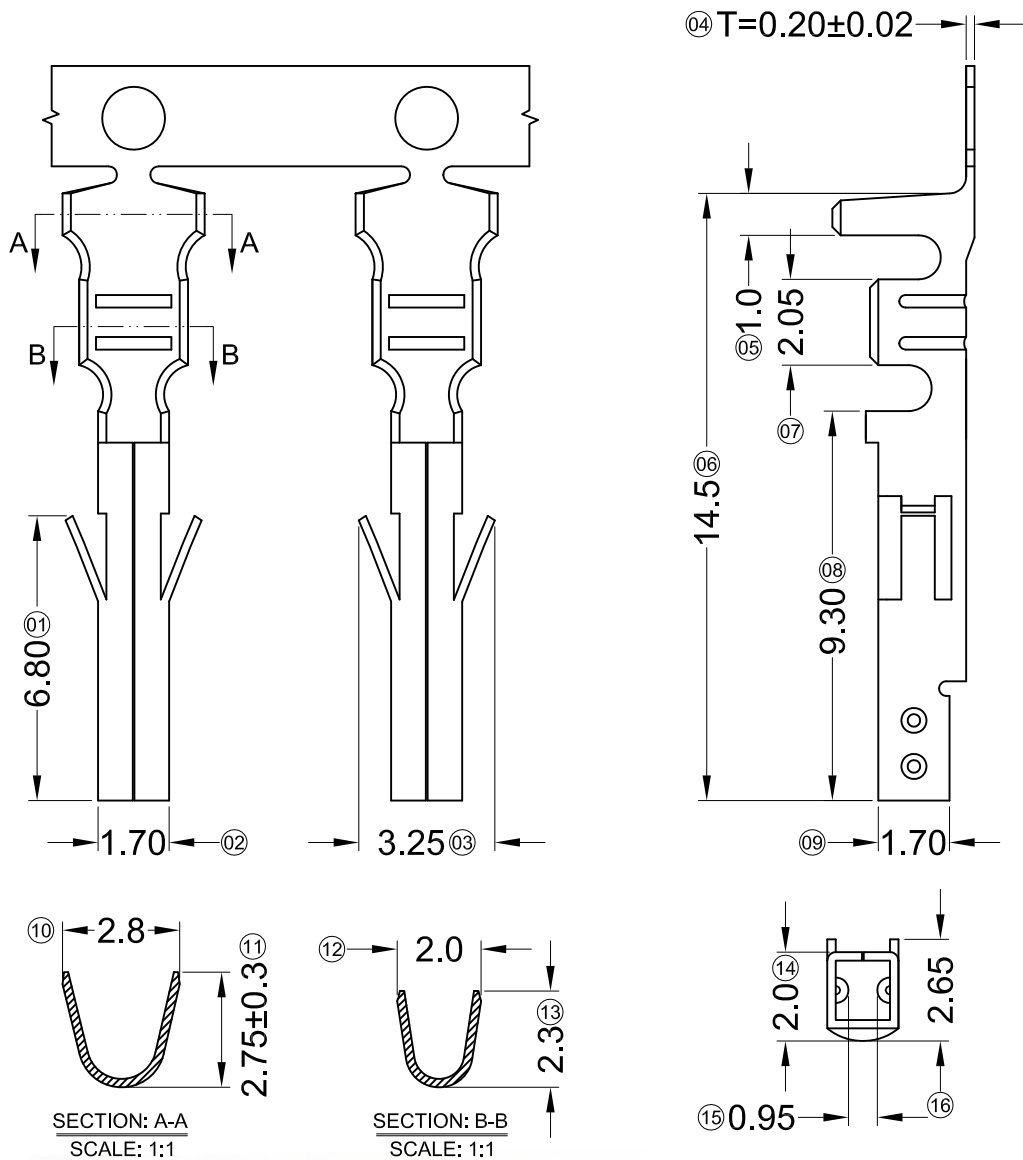
X9357TF-PSN-M	Phosphor Bronze	AWG#24-28	1.90mm(Max)	Stamping Before Plating :30u" MIN, Ni:70u"Sn MIN.	X9357HM
X9357TF-BSN-M	Brass				
PART NO	Material	Wire Range	Insulation O.D.	Finish	Suitable XKB

For and on behalf of  
**XKB INDUSTRIAL PRECISION CO., LIMITED**  
 香港星坤工業精密有限公司

△ X					ANGULAR	± 5°
△ X					L ≤ 4	± 0.2
△ X					4 < L ≤ 16	± 0.3
△ X					16 < L ≤ 63	± 0.4
MARK	DESCRIPTION	DATE	REVISED	APPROVED	L > 63	± 0.5
REVISIONS					UNSPECIFIED TOLERANCES	

DSND		DATE		SCALE: N/A	MODEL TYPE: X9357TF-XSN-M	
DWN		DATE		VIEW:	PART NO.:	
CHKD		DATE		UNIT: mm	4.20 mm Crimp Style Connectors	
APPD		DATE		SIZE: A4	DWG NO.:	
				WEIGHT	SHEET	REVISION
				1.0g	1/1	A0

**XKB INDUSTRIAL PRECISION CO., LIMITED**



**Specifications :**

- Voltage rating: 600V AC / DC
- Current rating: 9A AC / DC
- Withstanding voltage: 1500V AC/minute
- Temperature range: -25°C~+85°C
- Insulation resistance:  $\geq 1000M\Omega$
- Contact resistance:  $\leq 10m\Omega$
- After environmental testing:  $\leq 20m\Omega$

**X9357 T F-X SN X-L**

- ① Series Number
- ② Category: T-terminal
- ③ Shape: F-Female
- ④ Material: B-Brass; P-Phosphor Bronze
- ⑤ Plating style: SN-Bright tin plating
- ⑥ Plating method: Blank-Stamping before plating;
- ⑦ Special No: L-Normal Leads

X9357TF-PSN-L	Phosphor Bronze	AWG#18-24	2.10mm(Max)	Stamping Before Plating :30u" MIN, Ni:70u"Sn MIN.	X9357HM
X9357TF-BSN-L	Brass				
PART NO	Material	Wire Range	Insulation O.D.	Finish	Suitable XKB

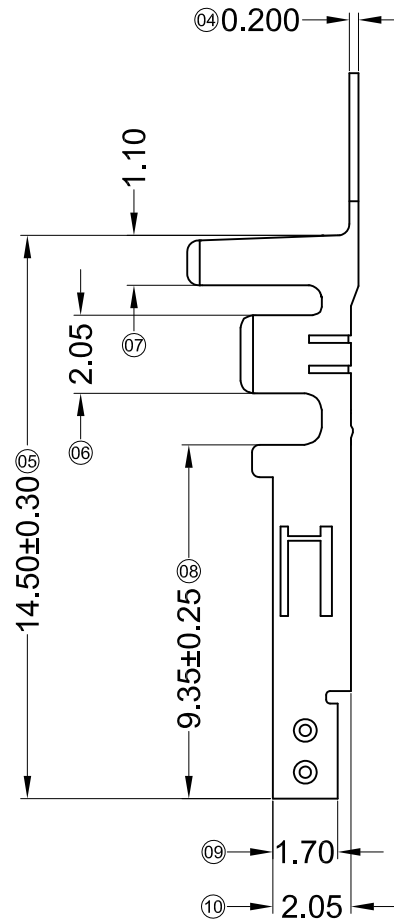
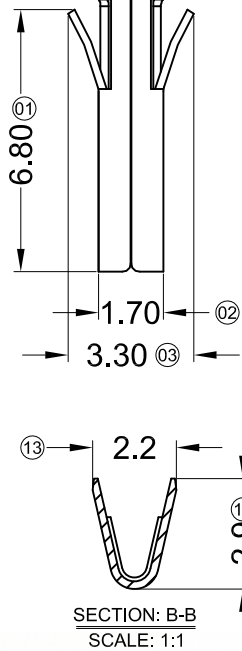
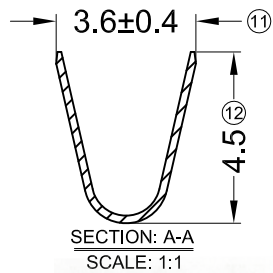
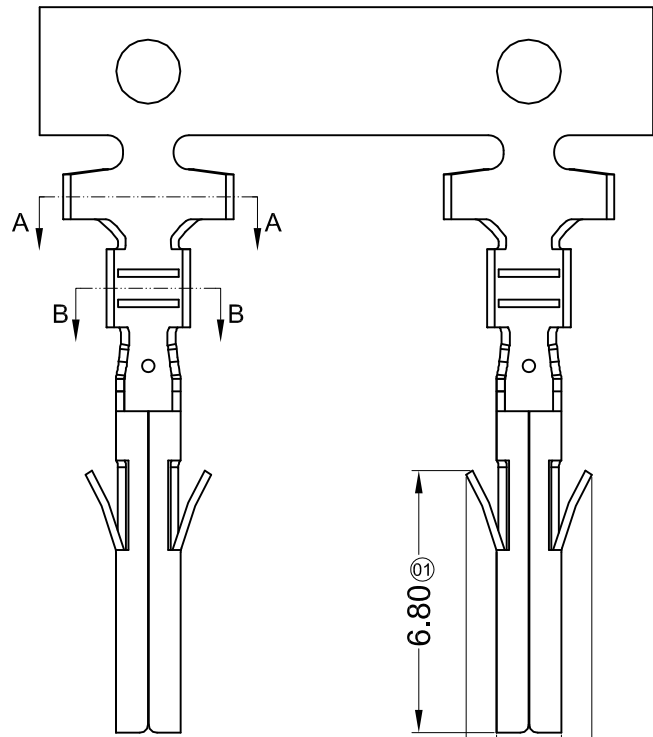
For and on behalf of  
**XKB INDUSTRIAL PRECISION CO., LIMITED**  
**香港星坤工業精密有限公司**

△ X					ANGULAR	$\pm 5^\circ$
△ X					$L \leq 4$	$\pm 0.2$
△ X					$4 < L \leq 16$	$\pm 0.3$
△ X					$16 < L \leq 63$	$\pm 0.4$
MARK	DESCRIPTION	DATE	REVISED	APPROVED	$L > 63$	$\pm 0.5$
					UNSPECIFIED TOLERANCES	

DSND		DATE		SCALE: N/A	MODEL TYPE: X9357TF-XSN-L	
DWN		DATE		VIEW:	PART NO.:	
CHKD		DATE		UNIT: mm	4.20 mm Crimp Style Connectors	
APPD		DATE		SIZE: A4	DWG NO.:	
				WEIGHT	SHEET	REVISION
				1.0g	1/1	A0

**XKB INDUSTRIAL PRECISION CO., LIMITED**

REVISIONS  
 Authorized Signature(s)



■ Specifications :

- Voltage rating: 600V AC / DC
- Current rating: 9A AC / DC
- Withstanding voltage: 1500V AC/minute
- Temperature range: -25°C~+85°C
- Insulation resistance: ≥1000MΩ
- Contact resistance: ≤10mΩ
- After environmental testing: ≤20mΩ

X9357 T F-X SN X-H

- ① Series Number
- ② Category: T-terminal
- ③ Shape: F-Female
- ④ Material: B-Brass; P-Phosphor Bronze
- ⑤ Plating style: SN-Bright tin plating
- ⑥ Plating method:  
Blank-Stamping before plating;
- ⑦ Special No: H-High Leads

X9357TF-PSN-H	Phosphor Bronze	AWG#16-24	3.10mm(Max)	Stamping Before Plating :30u" MIN. Ni;70u"Sn MIN.	X9357HM
X9357TF-BSN-H	Brass				
PART NO	Material	Wire Range	Insulation O.D.	Finish	Suitable XKB

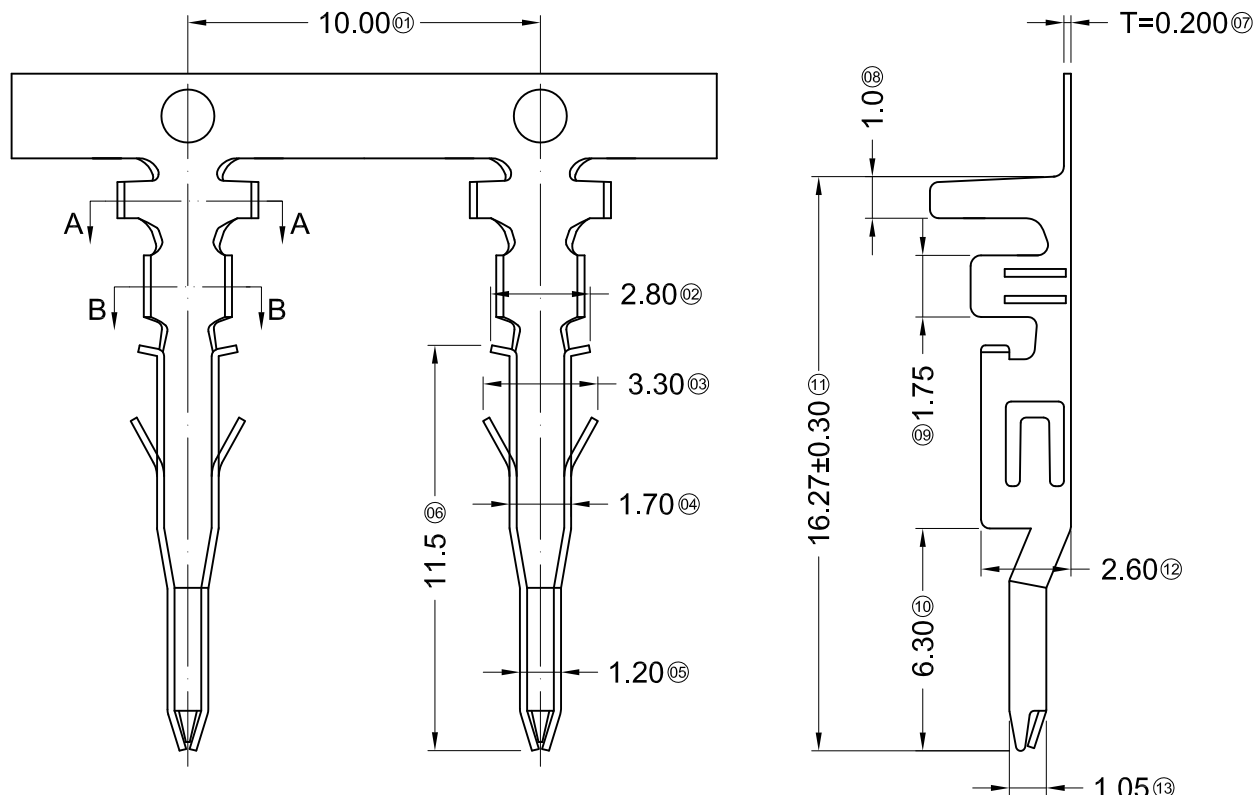
For and on behalf of  
**XKB INDUSTRIAL PRECISION CO., LIMITED**  
 香港星坤工業精密有限公司

△ X					ANGULAR	±5°
△ X					L ≤ 4	±0.2
△ X					4 < L ≤ 16	±0.3
△ X					16 < L ≤ 63	±0.4
MARK	DESCRIPTION	DATE	REVISED	APPROVED	L > 63	±0.5
REVISIONS					UNSPECIFIED TOLERANCES	
Authorized Signature(s)					XKB INDUSTRIAL PRECISION CO., LIMITED	

DSND		DATE		SCALE: N/A	MODEL TYPE: X9357TF-XSN-H	
DWN		DATE		VIEW:	PART NO.:	
CHKD		DATE		UNIT: mm	4.20 mm Crimp Style Connectors	
APPD		DATE		SIZE: A4	DWG NO.:	
				WEIGHT	SHEET	REVISION
				1.0g	1/1	A0



1 2 3 4 5 6 7 8



■ Specifications :

- Voltage rating: 600V AC / DC
- Current rating: 9A AC / DC
- Withstanding voltage: 1500V AC/minute
- Temperature range: -25°C~+85°C
- Insulation resistance: ≥1000MΩ
- Contact resistance: ≤10mΩ
- After environmental testing: ≤20mΩ

X9357 T M-X SN X-X

① ② ③ ④ ⑤ ⑥ ⑦

- ① Series No.
- ② Category: T-Terminal
- ③ Appearance type: M-Male Terminal
- ④ Material: B-Brass; P-Phosphor Bronze
- ⑤ Plating Style: SN-Bright Tin Plating
- ⑥ Plating Method :  
Blank-Stamping before Plating
- ⑦ Mold N0/MARK&Special N0

SECTION: A-A  
SCALE: 1:1

SECTION: B-B  
SCALE: 1:1

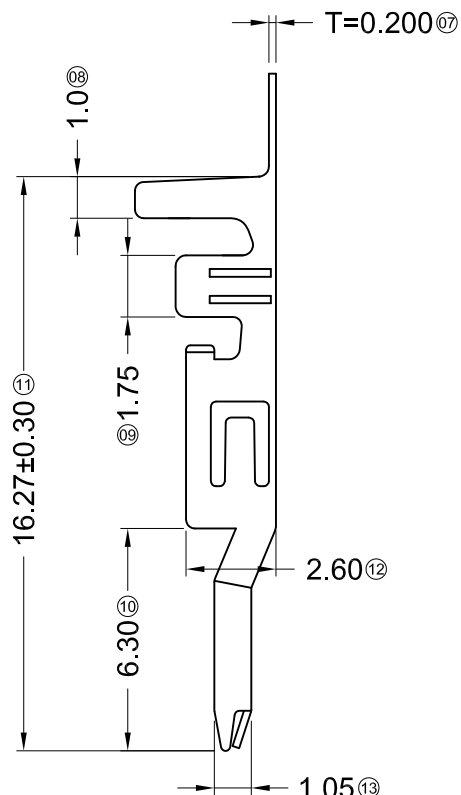
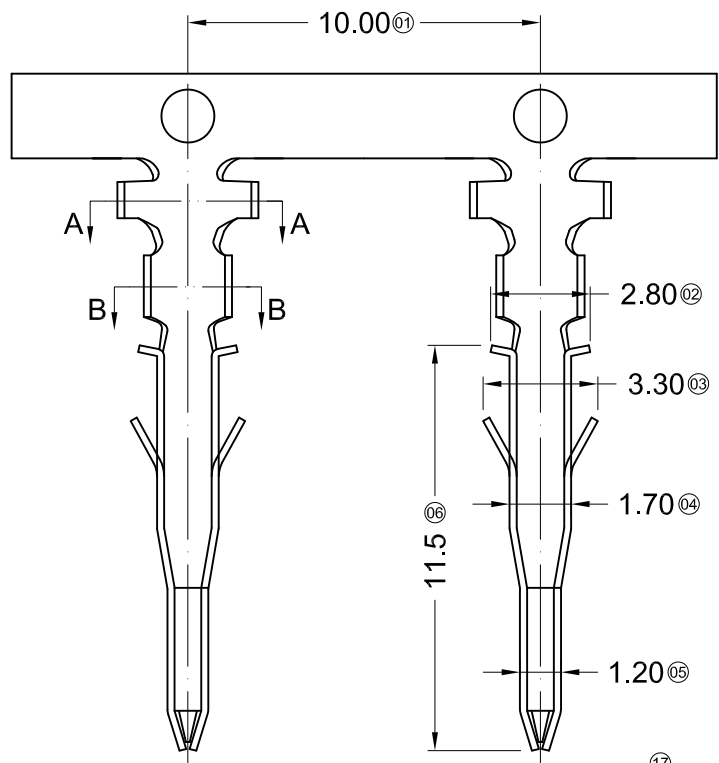
X9357TM-PSN	Phosphor Bronze	AWG#18-22	3.00mm(Max)	Stamping Before Plating:30u" Ni;70u"Sn	x9357HF
X9357TM-BSN	Brass				
PART NO	Material	Wire Range	Insulation O.D.	Finish	Suitable XKB

For and on behalf of  
**XKB INDUSTRIAL PRECISION CO., LIMITED**  
**香港星坤工業精密有限公司**

△ X					ANGULAR	±5°	DSND		DATE		SCALE: N/A	MODEL TYPE: X9357TM-XSN
△ X					L ≤ 4	±0.2	DWN		DATE		VIEW:	PART NO.:
△ X					4 < L ≤ 16	±0.3	CHKD		DATE		UNIT: mm	4.20 mm Crimp Style Connectors
MARK	DESCRIPTION	DATE	REVISED	APPROVED	16 < L ≤ 63	±0.4	APPD		DATE		SIZE: A4	DWG NO.:
					L > 63	±0.5						
					UNSPECIFIED TOLERANCES		<b>XKB INDUSTRIAL PRECISION CO., LIMITED</b>			WEIGHT	SHEET	REVISION
										1.0g	1/1	A0

1 2 3 4 5 6 7 8

1 2 3 4 5 6 7 8



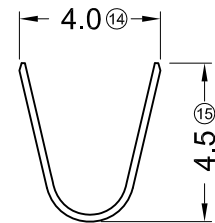
■ Specifications :

- Voltage rating: 600V AC / DC
- Current rating: 9A AC / DC
- Withstanding voltage: 1500V AC/minute
- Temperature range: -25°C~+85°C
- Insulation resistance: ≥1000MΩ
- Contact resistance: ≤10mΩ
- After environmental testing: ≤20mΩ

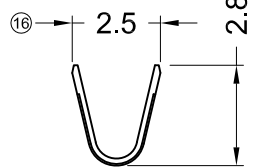
X9357 T M-B SN X-H

① ② ③ ④ ⑤ ⑥ ⑦

- ① Series No.
- ② Category: T-Terminal
- ③ Appearance type: M-Male Terminal
- ④ Material: B-Brass
- ⑤ Plating Style: SN-Bright Tin Plating
- ⑥ Plating Method :  
Blank-Stamping before Plating
- ⑦ H-High Crimp



SECTION: A-A  
SCALE: 1:1



SECTION: B-B  
SCALE: 1:1

X9357TM-BSN-H	Brass	AWG#16-22	3.10mm(Max)	Stamping Before Plating:30u" Ni;70u"Sn	x9357HF
PART NO	Material	Wire Range	Insulation O.D.	Finish	Suitable XKB

For and on behalf of  
**XKB INDUSTRIAL PRECISION CO., LIMITED**  
香港星坤工業精密有限公司

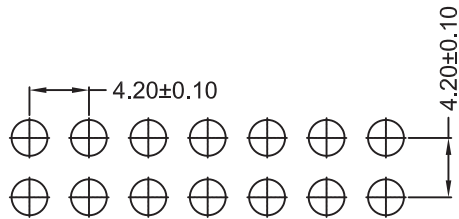
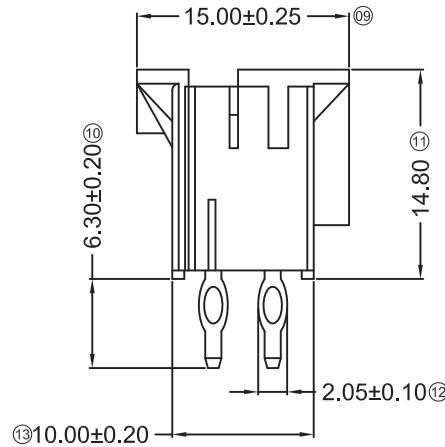
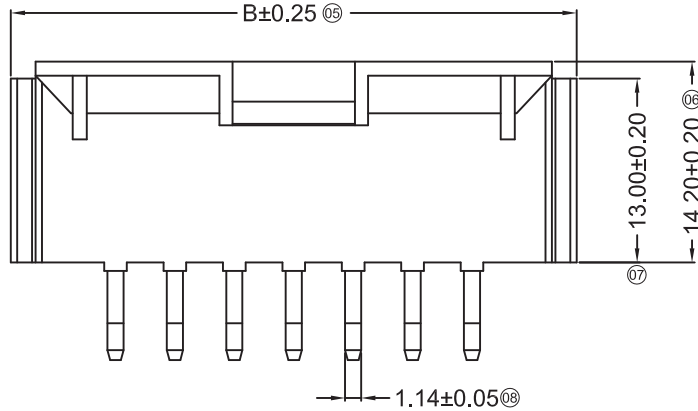
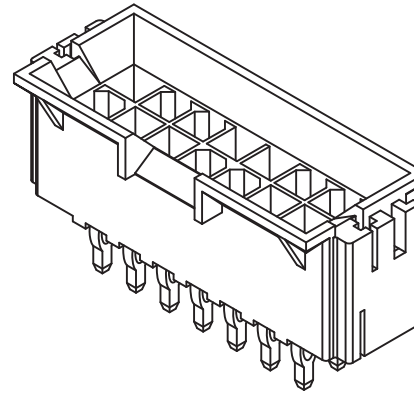
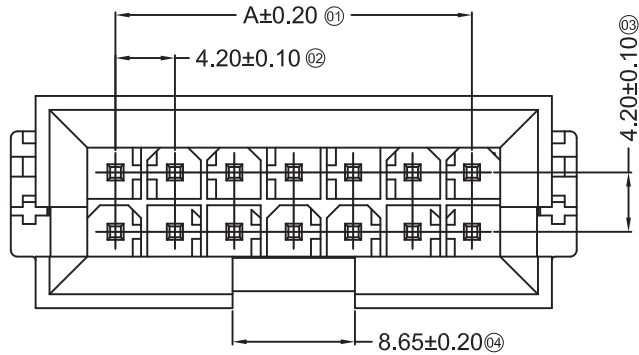
△ X						ANGULAR	±5°
△ X						L ≤ 4	±0.2
△ X						4 < L ≤ 16	±0.3
MARK	DESCRIPTION	DATE	REVISED	APPROVED		16 < L ≤ 63	±0.4
						L > 63	±0.5
						UNSPECIFIED TOLERANCES	

DSND		DATE		SCALE: N/A	MODEL TYPE: X9357TM-BSN-H		
DWN		DATE		VIEW:	PART NO.:		
CHKD		DATE		UNIT: mm	4.20 mm Crimp Style Connector		
APPD		DATE		SIZE: A4	DWG NO.:		
					WEIGHT	SHEET	REVISION
					1.0g	1/1	A0

**XKB INDUSTRIAL PRECISION CO., LIMITED**

Authorized Signature(s)

1 2 3 4 5 6 7 8



**Specifications :**

- Voltage rating: 600V AC / DC
- Current rating: 9A AC / DC
- Withstanding voltage: 1500V AC/minute
- Temperature range: -25°C~+85°C
- Insulation resistance: ≥1000MΩ
- Contact resistance: ≤10mΩ
- After environmental testing: ≤20mΩ

X9357 W V X-2\*XX B-XX SN XX

(1) (2) (3) (4) (5) (6) (7) (8) (9)

- (1) Series No.
- (2) Category: W-wafer
- (3) Welding Board Angle: V-180°
- (4) Welding Way: Blank-DIP ;
- (5) Row No.-Pin No.: 2\*XX-Double row
- (6) Special NO.
- B-Arrange ushering with positioning column
- (7) Material: N0-PA66 94V-0 ; N2-PA66 94V-2
- (8) Planting Category:
- V:All Gold-Plated ; G:Gold-Plated Contact
- S-Silver Plating ; \*01-Gold Flash ; \*02-2u" ; \*03-3u" ; \*05-5u" ; \*10-10u" ; \*15-15u" ; \*30-30u" ; \*50-50u"
- N-Plating Nickel 30u" ; SN-Bright tin plating 70u"
- SW-Fog Tin plating
- (9) Color: Blank-natural color

Poles	Dimensions (mm)	
	A	B
2x07	25.20	40.00
2x09	33.60	48.40
2x12	46.20	61.00

X9357WV-2*XXB-N0SN	Nylon 66 UL 94V-0	Phorphos Bronze	Tin-Plated	X9357HM-B
X9357WV-2*XXB-N2SN	Nylon 66 UL 94V-2	Phorphos Bronze	Tin-Plated	X9357HM-B
PART NO	Material	Material(Pin)	Finish(Pin)	Suitable XKB Terminal

For and on behalf of  
**XKB INDUSTRIAL PRECISION CO., LIMITED**  
 香港星坤工業精密有限公司

MARK	DESCRIPTION	DATE	REVISED	APPROVED	UNSPECIFIED TOLERANCES	DSND	DATE	SCALE: N/A	MODEL TYPE: X9357WV-2*XXB-XXSN
△ X					ANGULAR ±5°	DWN	DATE	VIEW:	PART NO.:
△ X					L ≤ 4 ±0.2	CHKD	DATE	UNIT: mm	4.20mm Crimp Style Connectors
△ X					4 < L ≤ 16 ±0.3	APPD	DATE	SIZE: A4	DWG NO.:
					16 < L ≤ 63 ±0.4				
					L > 63 ±0.5				
									WEIGHT 1.0g
									SHEET 1/1
									REVISION A0

Authorized Signature(s)

**XKB INDUSTRIAL PRECISION CO., LIMITED**

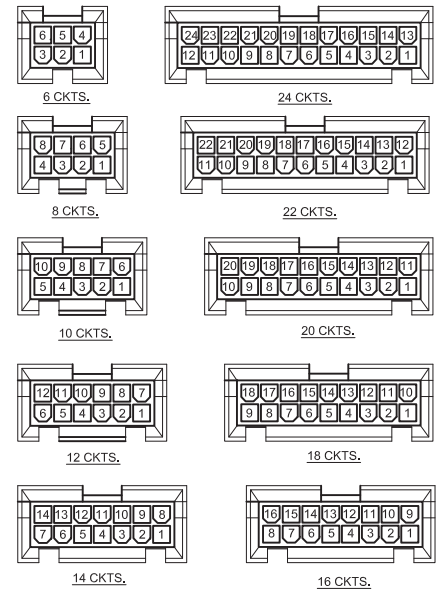
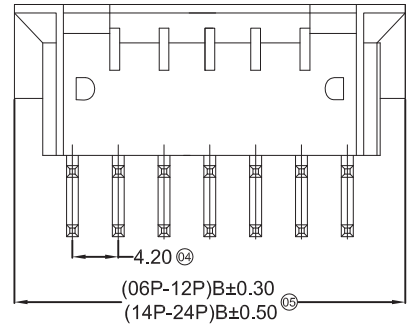
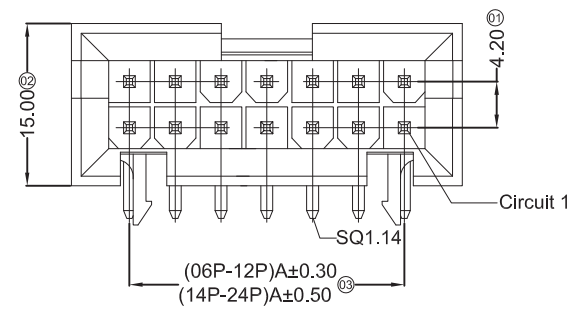
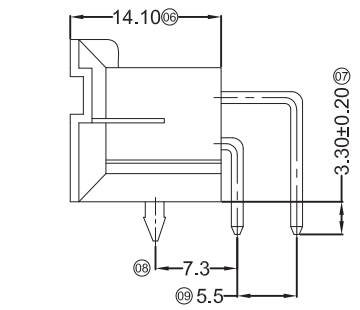
**Specifications :**

- Voltage rating: 600V AC / DC
- Current rating: 9A AC / DC
- Withstanding voltage: 1500V AC/minute
- Temperature range: -25°C~+85°C
- Insulation resistance: ≥1000MΩ
- Contact resistance: ≤10mΩ
- After environmental testing: ≤20mΩ

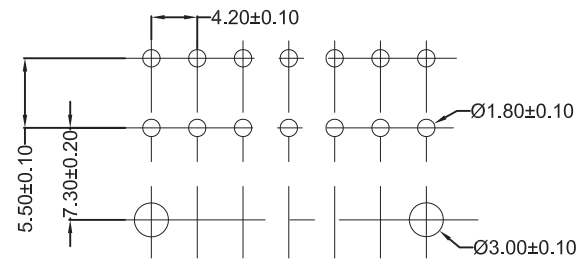
X9357 W R X-2\*XX B-XX SN XX  
 ① ② ③ ④ ⑤ ⑥ ⑦ ⑧ ⑨

- ① Series No.
- ② Category: W-wafer
- ③ Welding Board Angle: R- Right Angle 90°
- ④ Welding Way: Blank-DIP
- ⑤ Row No.-Pin No.: 2\*XX-2\*03P~2\*12P
- ⑥ Plug the Pin & Special No.:  
 B-Arrange ushering with positioning column
- ⑦ Material: N0-PA66 94V-0 ;N2-PA66 94V-2
- ⑧ Plating Category: SN-Bright tin plating ;
- ⑨ Color: Blank-natural color

Poles	Dimensions(mm)	
	A	B
2*03	8.40	19.20
2*04	12.60	23.40
2*05	16.80	27.60
2*06	21.00	31.80
2*07	25.20	36.00
2*08	29.40	40.20
2*09	33.60	44.40
2*10	37.80	48.60
2*11	42.00	52.80
2*12	46.20	57.00



KEY HOLD CIRCUIT SIZE LAYOUT

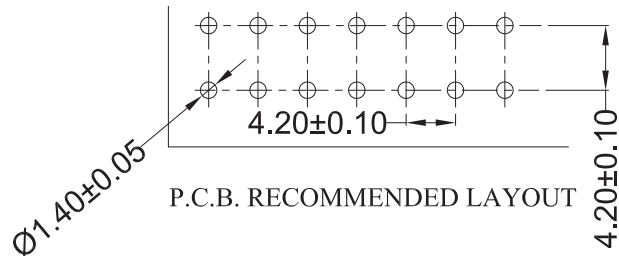
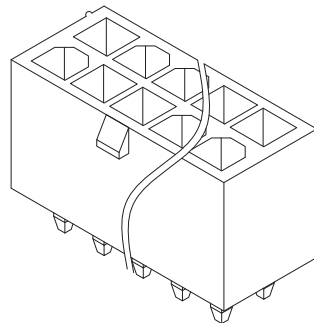
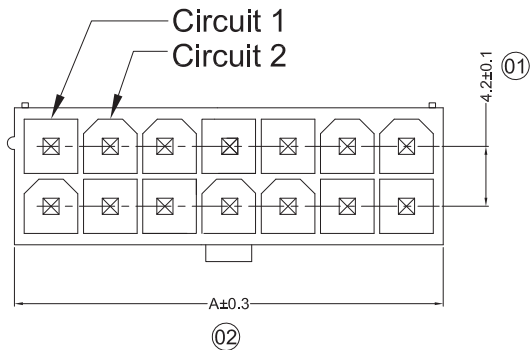


P.C.B LAYOUT

X9357WR-2*XXB-N0SN	Nylon 66 UL 94V-0	Brass	Tin-Plated	X9357HM-B
X9357WR-2*XXB-N2SN	Nylon 66 UL 94V-2			
PART NO	Material	Material(Pin)	Finish(Pin)	Suitable XKB Terminal

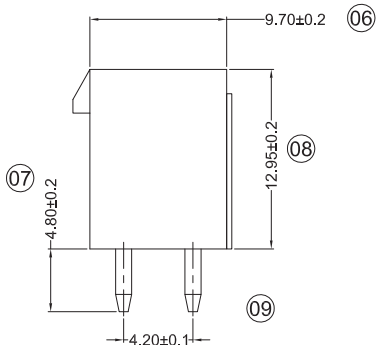
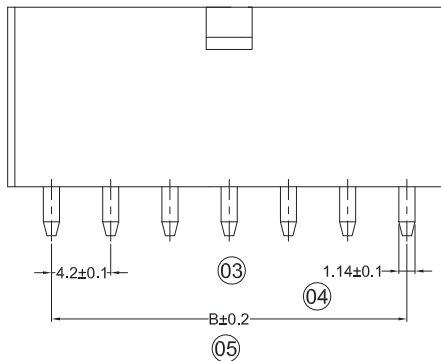
For and on behalf of  
**XKB INDUSTRIAL PRECISION CO., LIMITED**  
 香港星坤工業精密有限公司

△ X					ANGULAR	±5°		DSND		DATE		SCALE: N/A	MODEL TYPE: X9357WR-2*XXB-XXSN	
△ X					L ≤ 4	±0.2		DWN		DATE		VIEW:	PART NO.:	
△ X					4 < L ≤ 16	±0.3		CHKD		DATE		UNIT: mm	4.20mm Crimp Style Connectors	
MARK	DESCRIPTION	DATE	REVISED	APPROVED	16 < L ≤ 63	±0.4		APPD		DATE		SIZE: A4	DWG NO.:	
	REVISIONS				L > 63	±0.5								
	Authorized Signature(s)				UNSPECIFIED TOLERANCES			XKB INDUSTRIAL PRECISION CO., LIMITED				WEIGHT	SHEET	REVISION
												1.0g	1/1	A0



P.C.B. RECOMMENDED LAYOUT

- Specifications :**
- Voltage rating: 600V AC / DC
  - Current rating: 9A AC / DC
  - Withstanding voltage: 1500V AC/minute
  - Temperature range: -25°C~+85°C
  - Insulation resistance: ≥100MΩ
  - Contact resistance: ≤10mΩ
  - After environmental testing: ≤20mΩ



X9357 W V X-2\*XX S1- XX XX XX

- ① Series No.  
 ② Category:  
 W-wafer  
 ③ Welding Board Angle:  
 V-180°  
 ④ Welding Way:  
 Blank-DIP  
 ⑤ Row No.-Pin No.  
 2\*XX-Double row  
 ⑥ Plug the Pin & Special NO.  
 S1-DIP=4.80  
 ⑦ Material:  
 N0-PA66 94V-0 ; N2-PA66 94V-2  
 ⑧ Planting Category:  
 V:All Gold-Plated \*01-Gold Flash  
 SN-Bright tin plating 70u"  
 SW-Fog Tin plating  
 ⑨ Color:  
 Blank-natural color

Poles	Dimensions (m)	
	A	B
2	5.60	-
4	9.80	4.2
6	14.00	8.40
8	18.20	12.60
10	22.40	16.80
12	26.60	21.00
14	30.80	25.20
16	35.00	29.40
18	39.20	33.60
20	43.40	37.80
22	47.60	42.00
24	51.80	46.20

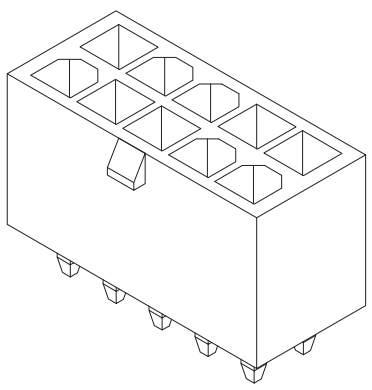
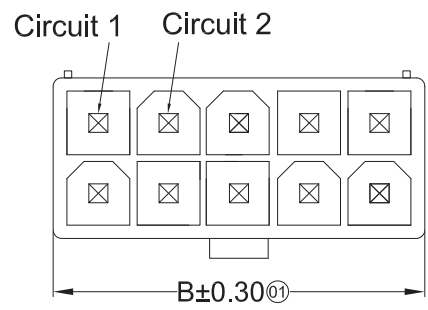
X9357WV-2*XXS1-N0V01	Nylon 66 UL 94V-0	Brass Or Phosphor Bronze	Gold-Flash	X9357H
X9357WV-2*XXS1-N0SN	Nylon 66 UL 94V-0	Brass Or Phosphor Bronze	Tin-Plated	
X9357WV-2*XXS1-N2V01	Nylon 66 UL 94V-2	Brass Or Phosphor Bronze	Gold-Flash	
X9357WV-2*XXS1-N2SN	Nylon 66 UL 94V-2	Brass Or Phosphor Bronze	Tin-Plated	

PART NO	Material	Finish (Pin)	Suitable XKB Terminal
<b>and on behalf of</b> <b>XKB INDUSTRIAL PRECISION CO., LIMITED</b> <b>香港星坤工業精密有限公司</b>			
△ X	DESCRIPTION	DATE	REVISED
△ X	REVISIONS	APPROVED	UNSPECIFIED TOLERANCES
△ X	Authorized Signature(s)		

DSND	DATE	SCALE: N/A
DWN	DATE	VIEW:
CHKD	DATE	UNIT: mm
APPD	DATE	SIZE: A4

MODEL TYPE: X9357WV-2*XXS1-XXXX		
PART NO.: 4.20 mm Crimp Style Connectors		
DWG NO.:		
WEIGHT: 1.0g	SHEET: 1/1	REVISION: A0

1 2 3 4 5 6 7 8

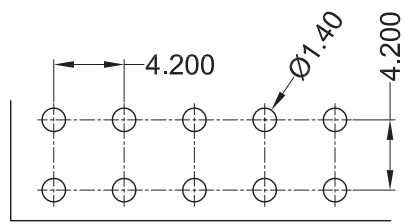
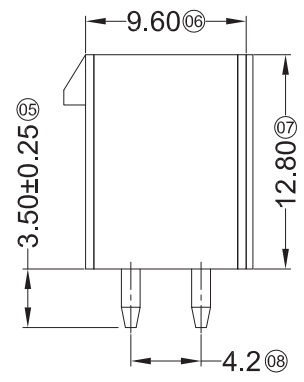
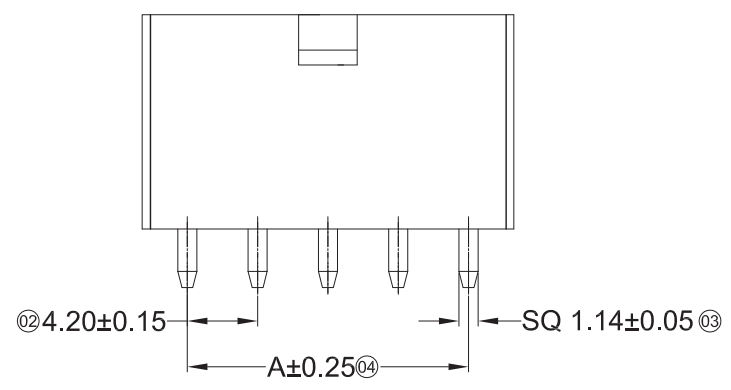


**Specifications :**

- Voltage rating: 600V AC / DC
- Current rating: 9A AC / DC
- Withstanding voltage: 1500V AC/minute
- Temperature range: -25°C~+85°C
- Insulation resistance: ≥100MΩ
- Contact resistance: ≤10mΩ
- After environmental testing: ≤20mΩ

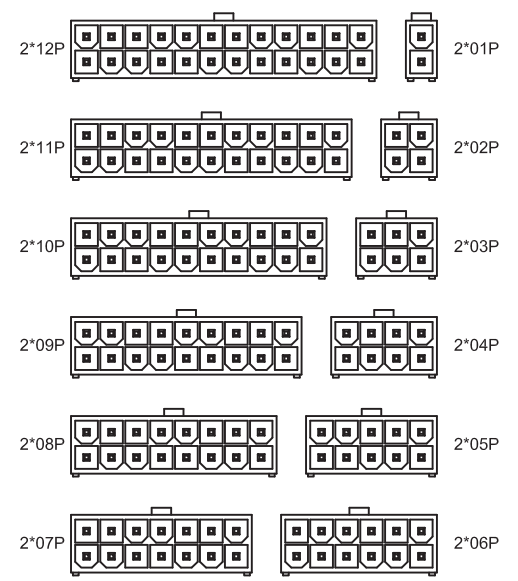
X9357 W V X-2\*XX D-XX XX XX  
 ① ② ③ ④ ⑤ ⑥ ⑦ ⑧ ⑨

- ① Series No.
- ② Category: W-WAFER
- ③ Welding Board Angle: V- Stright 180° ;
- ④ Welding Way: Blank-DIP
- ⑤ Row No.-Pin No.: 2\*XX-2\*01P~2\*12P
- ⑥ Plug the Pin & Special No.:  
D-Without gluten; F-Halogen Free
- ⑦ Material: N2-PA66 94V-2
- ⑧ Plating Category: SN-Bright Tin Plating ;  
V01-Gold Flash
- ⑨ Color : Blank-Natural Color; BK-Black;  
GY-Gray; RE-Red



Recommended P.C.B Layout  
 General Tolerance±0.05

Poles	Dimensions (mm)		Poles	Dimensions (mm)	
	A	B		A	B
2*01	--	5.40	2*07	25.20	30.60
2*02	4.20	9.60	2*08	29.40	34.80
2*03	8.40	13.80	2*09	33.60	39.00
2*04	12.60	18.00	2*10	37.80	43.20
2*05	16.80	22.20	2*11	42.00	47.40
2*06	21.00	26.40	2*12	46.20	51.60



X9357WV-2*XXDF-N2SNXX	Nylon 66 UL 94V-2 (Halogen Free)	Brass	Tin-Plated	X9357H
X9357WV-2*XXD-N2V01XX	Nylon 66 UL 94V-2		Gold-Flash	
X9357WV-2*XXD-N2SNXX	Nylon 66 UL 94V-2		Tin-Plated	
PART N0	Material	Material(Pin)	Finish(Pin)	Suitable XKB Terminal

For and on behalf of  
**XKB INDUSTRIAL PRECISION CO., LIMITED**  
 香港星坤工業精密有限公司

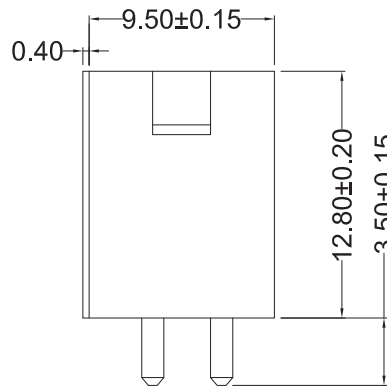
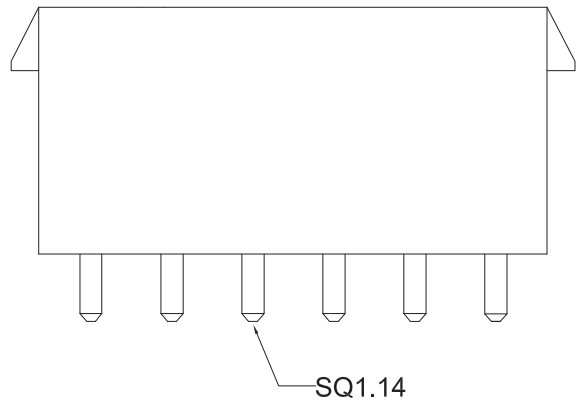
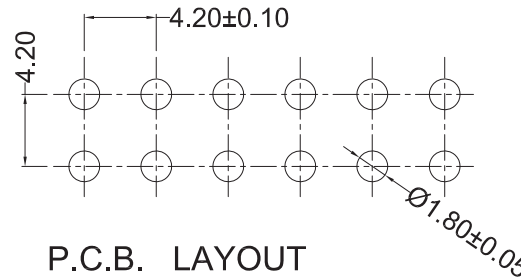
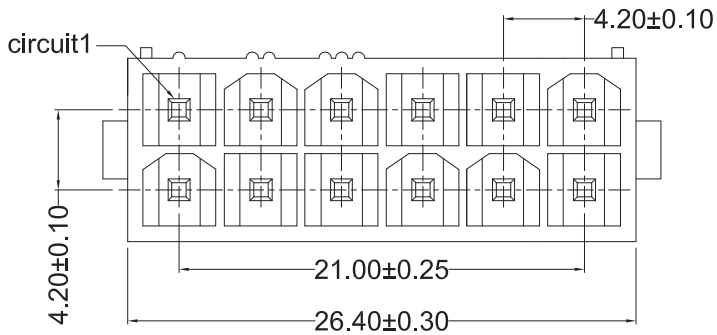
DSND	DATE	SCALE: N/A	MODEL TYPE: X9357WV-2*XXDX-XXXX
DWN	DATE	VIEW:	PART NO.:
CHKD	DATE	UNIT: mm	4.20 mm Crimp Style Connectors
APPD	DATE	SIZE: A4	DWG NO.:
			WEIGHT
			1.0g
			SHEET
			1/1
			REVISION
			A0

△ X					ANGULAR	±5°
△ X					L ≤ 4	±0.2
△ X					4 < L ≤ 16	±0.3
MARK	DESCRIPTION	DATE	REVISED	APPROVED	16 < L ≤ 63	±0.4
					L > 63	±0.5
					UNSPECIFIED TOLERANCES	

REVISIONS  
 Authorized Signature(s)

**XKB INDUSTRIAL PRECISION CO., LIMITED**

1 2 3 4 5 6 7 8



**Specifications :**

- Voltage rating: 600V AC / DC
- Current rating: 9A AC / DC
- Withstanding voltage: 1500V AC/minute
- Temperature range: -25°C~+85°C
- Insulation resistance: ≥1000MΩ
- Contact resistance: ≤10mΩ
- After environmental testing: ≤20mΩ

X9357 W V X-2\*XXA-XX SN XX  
 ① ② ③ ④ ⑤ ⑥ ⑦ ⑧ ⑨

- ① Series No.
- ② Category:  
W-wafer
- ③ Welding Board Angle:  
V-180°
- ④ Welding Way:  
Blank-DIP ;
- ⑤ Row No.-Pin No.  
2\*XX-Double row
- ⑥ Special NO.  
A-On both sides of hook
- ⑦ Material:  
N0-PA66 94V-0 ; N2-PA66 94V-2
- ⑧ Planting Category:  
V:All Gold-Plated  
G:Gold-Plated Contact  
\*01-1u" ; \*02-2u" ; \*03-3u" ; \*05-5u"  
\*10-10u" ; \*15-15u" ; \*30-30u" ; \*50-50u"  
N-Plating Nickel 30u" ; SN-Bright tin plating 70u"  
SW-Fog Tin plating
- ⑨ Color:  
Blank-natural color

X9357WV-2*06A-N2SN	Nylon 66 UL 94V-2	Brass	Tin-Plated	X9357H
PART NO	Material	Material(Pin)	Finish(Pin)	Suitable XKB Terminal

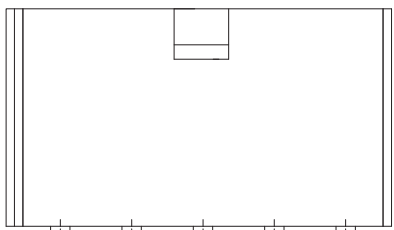
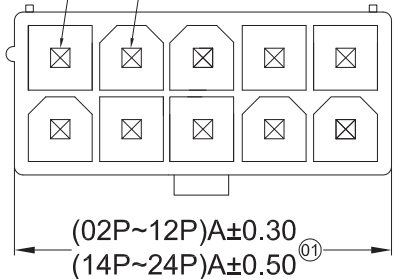
For and on behalf of  
**XKB INDUSTRIAL PRECISION CO., LIMITED**  
**香港星坤工業精密有限公司**

					DSND		DATE		SCALE: N/A	MODEL TYPE: X9357WV-2*06A-N2SN		
△ X						DWN		DATE	VIEW:	PART NO.:		
△ X						CHKD		DATE	UNIT: mm	4.20mm Crimp Style connectors		
△ X						APPD		DATE	SIZE: A4	DWG NO.:		
MARK	DESCRIPTION	DATE	REVISED	APPROVED	UNSPECIFIED TOLERANCES	<b>XKB INDUSTRIAL PRECISION CO., LIMITED</b>				WEIGHT	SHEET	REVISION
										1.0g	1/1	A0

REVISIONS  
 Authorized Signature(s)

1 2 3 4 5 6 7 8

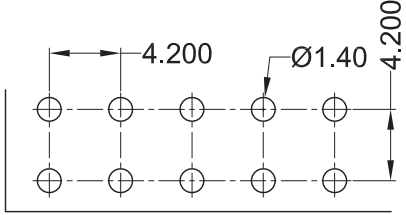
Circuit 1    Circuit 2



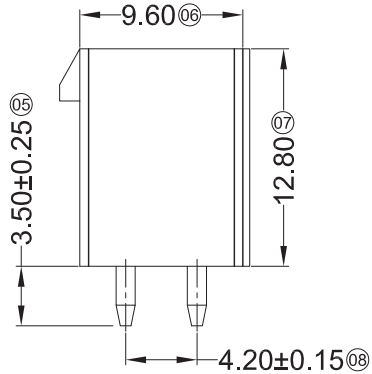
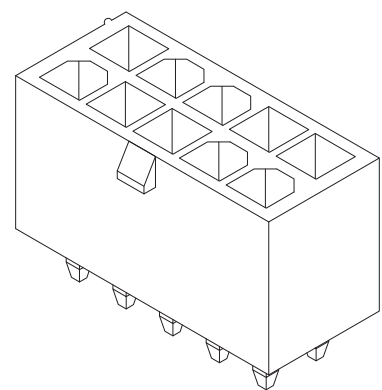
②4.20±0.15

(02P~12P)B±0.30  
(14P~24P)B±0.50

SQ 1.14±0.05 ③



Recommended P.C.B Layout  
General Tolerance±0.05

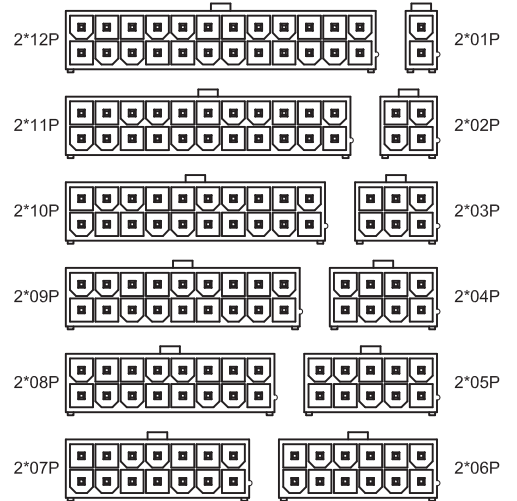


■ Specifications :

- Voltage rating: 600V AC / DC
- Current rating: 9A AC / DC
- Withstanding voltage: 1500V AC/minute
- Temperature range: -25°C~+85°C
- Insulation resistance: ≥100MΩ
- Contact resistance: ≤10mΩ
- After environmental testing: ≤20mΩ

X9357 W V X-2\*XX X-XX XX XX  
① ② ③ ④ ⑤ ⑥ ⑦ ⑧ ⑨

- ① Series No.
- ② Category: W-WAFER
- ③ Welding Board Angle: V- Stright 180° ;
- ④ Welding Way: Blank-DIP
- ⑤ Row No.-Pin No.: 2\*XX-2\*01P~2\*12P
- ⑥ Plug the Pin & Special No.:  
G-JoinThe glass fiber 15%
- ⑦ Material: N0-PA66 94V-0 ; N2-PA66 94V-2  
9T-PA9T 94V-0 ; 46-PA46 94V-0
- ⑧ Plating Category: SN-Bright Tin Plating
- ⑨ Color : Blank-Natural Color BK-Black GY-Gray



Poles	Dimensions (mm)		Poles	Dimensions (mm)	
	A	B		A	B
2*01	5.40	--	2*07	30.60	25.20
2*02	9.60	4.20	2*08	34.80	29.40
2*03	13.80	8.40	2*09	39.00	33.60
2*04	18.00	12.60	2*10	43.20	37.80
2*05	22.20	16.80	2*11	47.40	42.00
2*06	26.40	21.00	2*12	51.60	46.20

PART NO	Material	Material(Pin)	Finish(Pin)	Suitable XKB Terminal
X9357WV-2*XX-9TSW	Nylon 9T UL 94V-0	Brass	Matte tin	X9357H
X9357WV-2*XX-N2V01	Nylon 66 UL 94V-2	Brass	Gold-Flash	
X9357WV-2*XX-N2SN	Nylon 66 UL 94V-2	Brass	Tin-Plated	
X9357WV-2*XXG-N2V01	Nylon 66 UL 94V-2 GF15%	Brass	Gold-Flash	
X9357WV-2*XXG-N2SN	Nylon 66 UL 94V-2 GF15%	Brass	Tin-Plated	

For and on behalf of  
**XKB INDUSTRIAL PRECISION CO., LIMITED**  
香港星坤工業精密有限公司

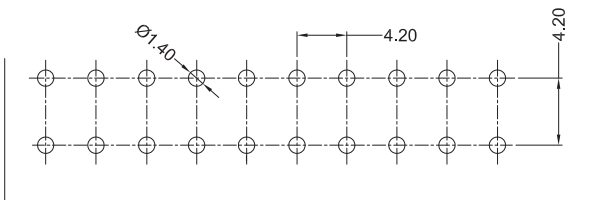
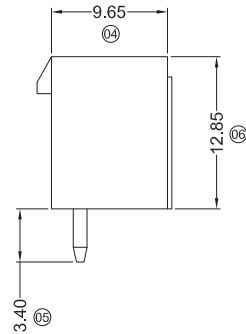
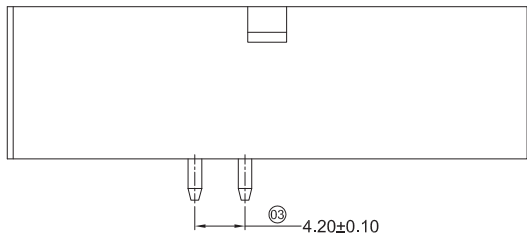
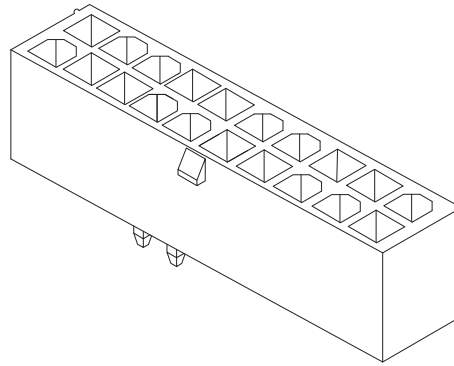
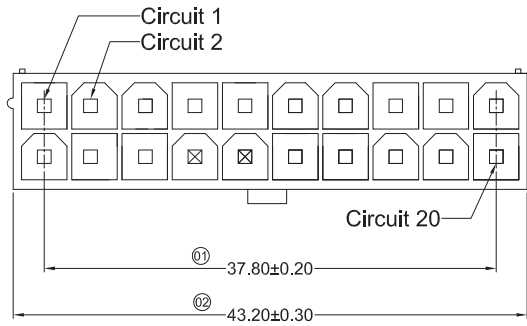
Authorized Signature(s)

DSND	DATE	SCALE: N/A	MODEL TYPE: X9357WV-2*XXX-XXXX
DWN	DATE	VIEW:	PART NO.:
CHKD	DATE	UNIT: mm	4.20 mm Crimp Style Connectors
APPD	DATE	SIZE: A4	DWG NO.:
			WEIGHT 1.0g
			SHEET 1/1
			REVISION A0

**XKB INDUSTRIAL PRECISION CO., LIMITED**

1 2 3 4 5 6 7 8





P.C.B LAYOUT

■ Specifications :

- Voltage rating:600V AC / DC
- Current rating: 9A AC / DC
- Withstanding voltage: 1500V AC/minute
- Temperature range: -25°C~+85°C
- Insulation resistance:≥1000MΩ
- Contact resistance: ≤10mΩ
- After environmental testing: ≤20mΩ

X9357 W V X-2\*XX NV18-N2 SN XX

① ② ③ ④ ⑤ ⑥ ⑦ ⑧ ⑨

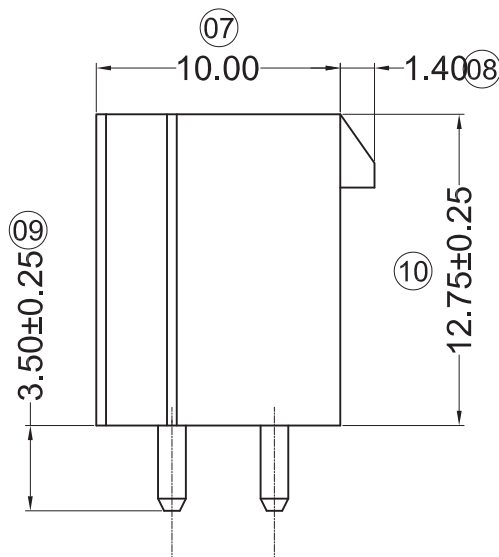
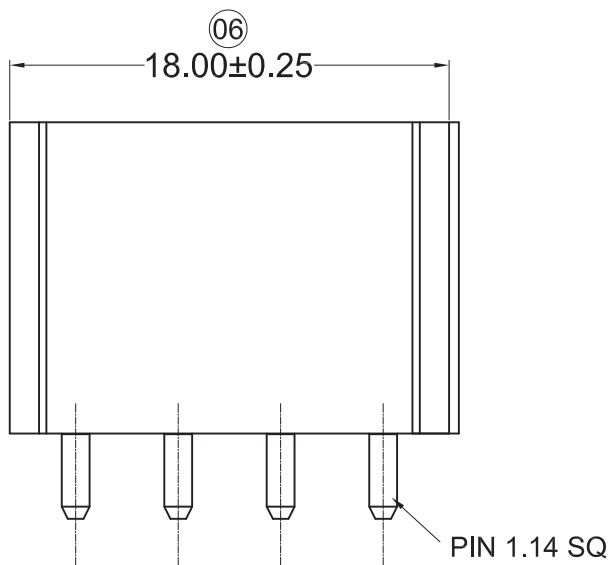
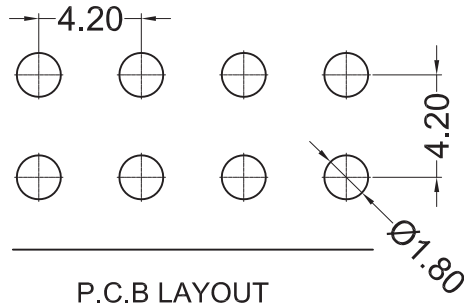
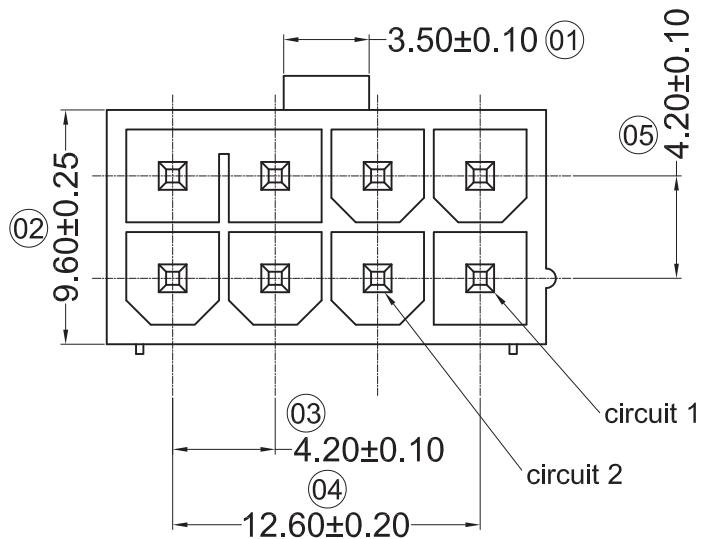
- ① Series No
- ② Category: W-WAFER
- ③ Welding Board Angle: V-180° ; R-90°
- ④ Welding Way: Blank-DIP ; S-SMT ;  
W-Male and Female conjoined
- ⑤ Row No.-Pin No.: XX-Single Row ; 2\*XX-Double Row
- ⑥ Special No.: NV18-Lack of 1-13PIN, 16PIN-20PIN
- ⑦ Material: 6T-PA6T 9T-PA9T 46-PA46 LP-LCP PT-PBT  
N0-PA66 94V-0 N2-PA66 94V-2 TS-Other
- ⑧ Plating Category: G\*\*-Gold Plated Contact  
V\*\*- All Gold-Plated  
S\*\*-Silver Plated  
01-Gold Flash 02-2u" 03-3u" 05-5u"  
10-10u" 15-15u" 30-30u" 50-50u"  
N-Nickel Plated(30-50u")  
SN-Bright Tin Plating (70u")  
SN1-Bright Tin Plating (120u" Min).  
SW- Fog Tin Plating  
HS-Hight temperature Tin
- ⑨ Color : Blank-Natural Color  
BK-black ; BR-brown ; RE-red ;  
OR-orange ; YE-yellow ; GR-green ; BL-blue ;  
PR-purple ; GY-gray ; WH-white ; BE-beige  
BN-Coffee ; LB-light blue ; RD-Dark red ;TS-other

X9357WV-2*10NV18-N2SN	Nylon 66 UL 94V-2	Brass	Tin-Plated	X9357H
PART NO	Material	Material(Pin)	Finish(Pin)	Suitable XKB Terminal

For and on behalf of  
**XKB INDUSTRIAL PRECISION CO., LIMITED**  
**香港星坤工業精密有限公司**

Authorized Signature(s)

△ X						ANGULAR	±5°	DSND		DATE		SCALE: N/A	MODEL TYPE: X9357WV-2*10NV18-N2SN		
△ X						L ≤ 4	±0.2	DWN		DATE		VIEW:	PART NO.:		
△ X						4 < L ≤ 16	±0.3	CHKD		DATE		UNIT: mm	4.20mm Crimp Style Connectors		
MARK	DESCRIPTION	DATE	REVISED	APPROVED		16 < L ≤ 63	±0.4	APPD		DATE		SIZE: A4	DWG NO.:		
						L > 63	±0.5								
						UNSPECIFIED TOLERANCES		<b>XKB INDUSTRIAL PRECISION CO., LIMITED</b>					WEIGHT	SHEET	REVISION
													1.0g	1/1	A0



■ Specifications :

- Voltage rating: 600V AC / DC
- Current rating: 9A AC / DC
- Withstanding voltage: 1500V AC/minute
- Temperature range: -25°C~+85°C
- Insulation resistance: ≥1000MΩ
- Contact resistance: ≤10mΩ

X9357 W V X-2\*04 EH2 X - XX SN XX

- ① Series No.  
 ② Category: W-wafer  
 ③ Welding Board Angle: V-180°  
 ④ Welding Way: Blank-DIP  
 ⑤ Row No.-Pin No.: 2\*XX-Double  
 ⑥ Plug the Pin & Special NO.  
 EH2-interlinked hole With small buckle  
 F-Halogen free Black  
 ⑦ Material:  
 N0-PA66 94V-0 ; N2-PA66 94V-2  
 ⑧ Planting Category:  
 SN-Bright tin plating 70u"  
 SW-Fog Tin plating  
 ⑨ Color: Blank-natural color

X9357WV-2*04EH2F-N2SN	PA66 UL 94V-2 Halogen free	Brass	Tin-Plated	X9357H
X9357WV-2*04EH2-N2SN	PA66 UL 94V-2			
PART NO	Material	Material(Pin)	Finish(Pin)	Suitable XKB Terminal

For and on behalf of  
**XKB INDUSTRIAL PRECISION CO., LIMITED**  
 香港星坤工業精密有限公司

Authorized Signature(s)

DSND	DATE	SCALE: N/A	MODEL TYPE: X9357WV-2*04EH2X-XXSN
DWN	DATE	VIEW:	PART NO.:
CHKD	DATE	UNIT: mm	4.20mm Crimp Style Connectors
APPD	DATE	SIZE: A4	DWG NO.:
			WEIGHT
			1.0g
			SHEET
			1/1
			REVISION
			A0

**XKB INDUSTRIAL PRECISION CO., LIMITED**



1 2 3 4 5 6 7 8

A

B

C

D

E

F

A

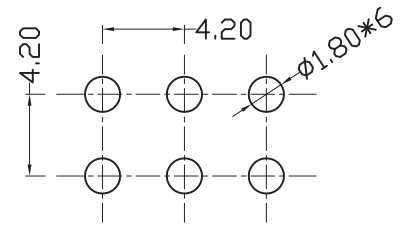
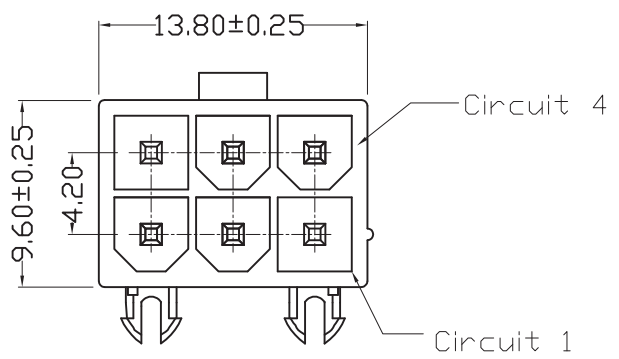
B

C

D

E

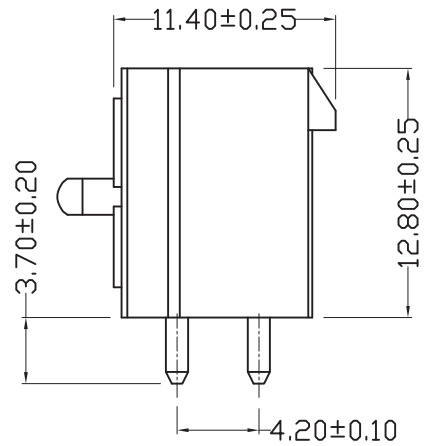
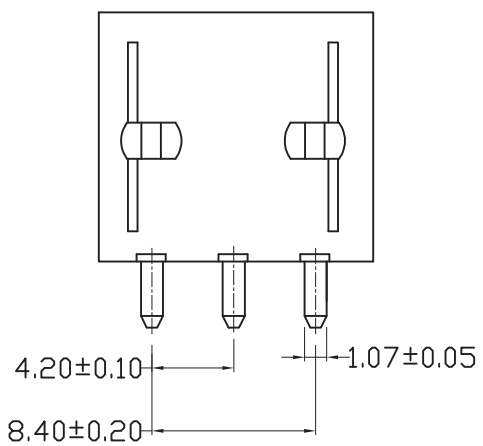
F



RECOMMEND P.C.B LAYOUT  
TOP VIEW

- Specifications(规格):
- Voltage rating(额定电压): 600V AC / DC
  - Current rating(额定电流): 9A AC / DC
  - Withstanding voltage(耐压值): 1500V AC/minute
  - Temperature range(工作温度): -25°C~+85°C
  - Insulation resistance(绝缘电阻): ≥1000MΩ
  - Contact resistance(接触电阻): ≤10mΩ
  - After environmental testing(环境测试后): ≤20mΩ

- Solder Process Data (焊接过程参数):
- Duration at Max. Process Temperature(Seconds):30
  - Lead-free Process Capability: SMC & Wave Capable(TH only)
  - Max. Cycles at Max. Process Temperature: 3
  - Process Temperature max. °C: 265°C



X9357 W V X-2\*03 AS- LP SN XX  
① ② ③ ④ ⑤ ⑥ ⑦ ⑧ ⑨

- ①系列
- ②类别: W-WAFER类
- ③外观形态: V-180°
- ④成型方式: 空码-DIP
- ⑤PIN数: 双排-2\*XX
- ⑥特殊码: AS-2方4圆, 带定位柱
- ⑦材质: LP-LCP 94V-0
- ⑧电镀类别: SN-镀亮锡(70U")
- ⑨颜色: 空码-本色或普通色

X9357WV-2*03AS-LPSN	LCP UL 94V-0	Brass	Tin-Plated	X9357H
PART NO	Material	Material(Pin)	Finish(Pin)	Suitable XKB Terminal

For and on behalf of  
**XKB INDUSTRIAL PRECISION CO., LIMITED**  
香港星坤工業精密有限公司

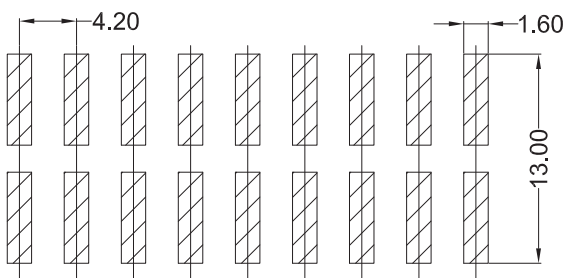
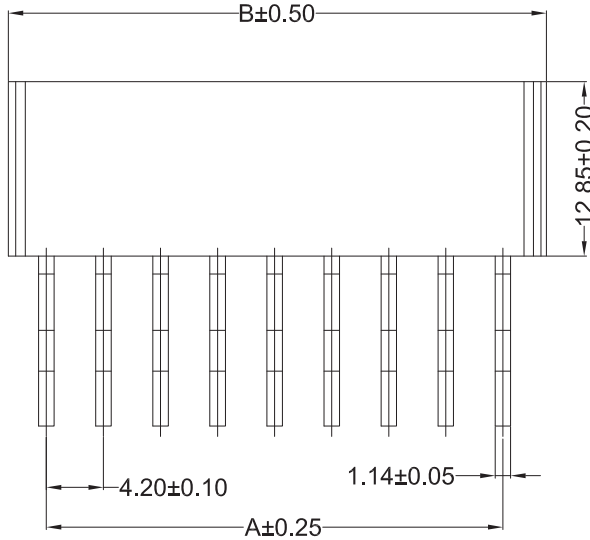
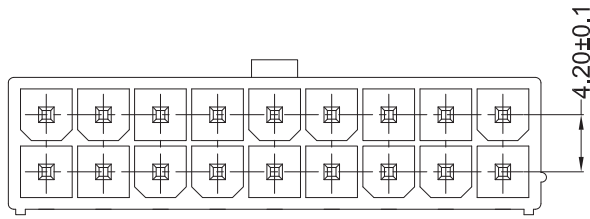
△ X					ANGULAR	±5°
△ X					L ≤ 4	±0.2
△ X					4 < L ≤ 16	±0.3
MARK	DESCRIPTION	DATE	REVISED	APPROVED	16 < L ≤ 63	±0.4
					L > 63	±0.5
					UNSPECIFIED TOLERANCES	

DSND		DATE		SCALE: N/A	MODEL TYPE: X9357WV-2*03AS-LPSN
DWN		DATE		VIEW:	PART NO.:
CHKD		DATE		UNIT: mm	4.20 mm Crimp Style Connectors
APPD		DATE		SIZE: A4	DWG NO.:
					WEIGHT 1.0g
					SHEET 1/1
					REVISION A0

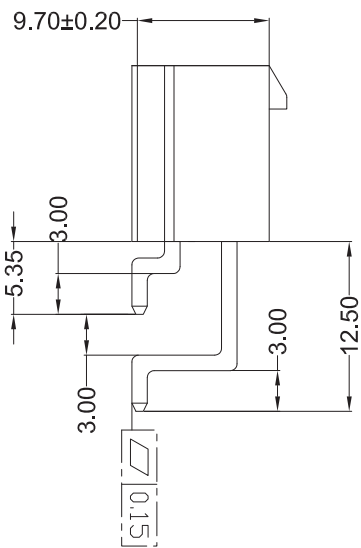
REVISIONS  
Authorized Signature(s)

**XKB INDUSTRIAL PRECISION CO., LIMITED**

1 2 3 4 5 6 7 8



P.C.B LAYOUT



■ Specifications(规格):

- Voltage rating(额定电压): 250V AC / DC
- Current rating(额定电流): 7A AC / DC
- Withstanding voltage(耐压值): 1500V AC/minute
- Temperature range(工作温度): -25°C~+85°C
- Insulation resistance(绝缘电阻): ≥1000MΩ
- Contact resistance(接触电阻): ≤10mΩ
- After environmental testing(环境测试后): ≤20mΩ

X9357 W R S-2\*XX X-XX XX XX

- ① 系列
- ② 类别: W-WAFER类
- ③ 外观形态:  
R-90°(带脚式)
- ④ 成型方式:  
S-SMT
- ⑤ PIN数:  
双排-2\*XX
- ⑥ 空码-普通规格 A-带定位柱
- ⑦ 材质:  
N0-PA66 94V-0
- ⑧ 电镀类别:  
SN-镀亮锡(70u")
- ⑨ 颜色:  
空码-本色

Poles	Dimensions (mm)	
	A	B
1	---	5.60
2	4.20	9.80
3	8.40	14.00
4	12.60	18.20
5	16.80	22.40
6	21.00	26.60
7	25.20	30.80
8	29.40	35.00
9	33.60	39.20
10	37.80	43.40
11	42.00	47.60
12	46.20	51.80

X9357WRS-2*XX-N0SN	Nylon 66 UL 94V-2	Brass	Tin-Plated	X9357H or 9357T
Part No	Material	Material(Pin)	Finish(Terminal)	Suitable XKB Terminal

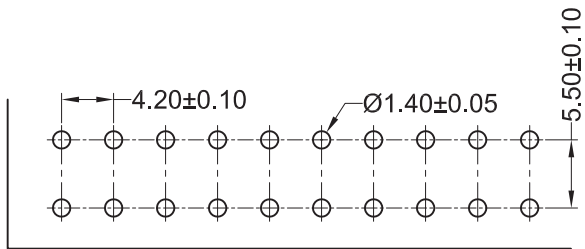
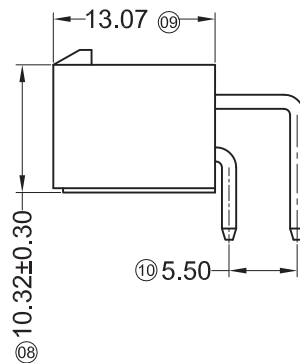
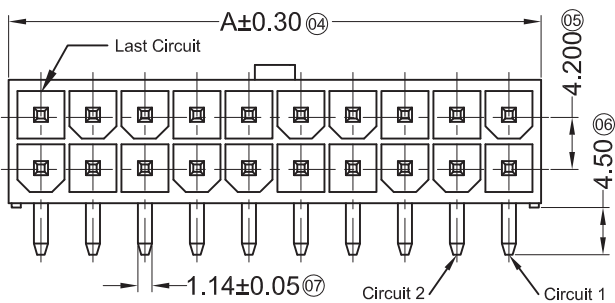
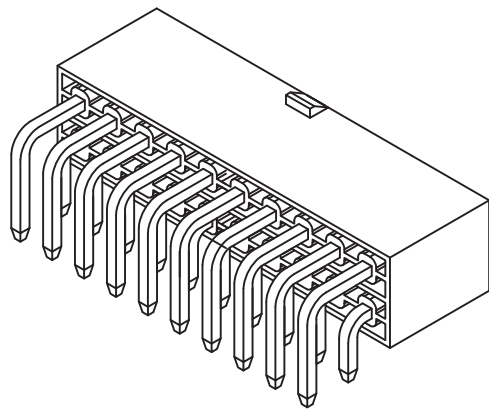
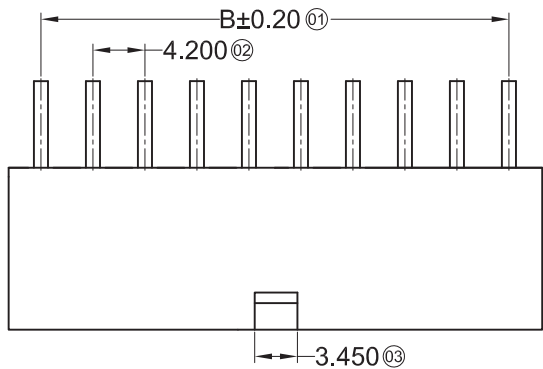
For and on behalf of  
**XKB INDUSTRIAL PRECISION CO., LIMITED**  
**香港星坤工業精密有限公司**

MARK	DESCRIPTION	DATE	REVISED	APPROVED	UNSPECIFIED TOLERANCES
△ X					ANGULAR ±5°
△ X					L ≤ 4 ±0.2
△ X					4 < L ≤ 16 ±0.3
					16 < L ≤ 63 ±0.4
					L > 63 ±0.5

DSND	DATE	SCALE: N/A	MODEL TYPE: X9357WRS-2*XX-N0SN
DWN	DATE	VIEW:	PART NO.:
CHKD	DATE	UNIT: mm	4.20 mm Crimp Style Connectors
APPD	DATE	SIZE: A4	DWG NO.:
			WEIGHT 1.0g
			SHEET 1/1
			REVISION A0

Authorized Signature(s)

**XKB INDUSTRIAL PRECISION CO., LIMITED**



P.C.B. HOLE DIMENSION

■ Specifications :

- Voltage rating: 600V AC / DC
- Current rating: 9A AC / DC
- Withstanding voltage: 1500V AC/minute
- Temperature range: -25°C~+85°C
- Insulation resistance: ≥1000MΩ
- Contact resistance: ≤10mΩ
- After environmental testing: ≤20mΩ

X9357 W R X-2\*XX Y-XX XX XX

01 02 03 04 05 06 07 08 09

- 01 Series No.
- 02 Category: W-wafer
- 03 Welding Board Angle: R-90°
- 04 Welding Way: Blank-DIP
- 05 Row No.-Pin No.: 2\*XX-Double Row
- 06 Plug the Pin & Special NO.: Y-Without gluten
- 07 Material: N0-PA66 94V-0 N2-PA66 94V-2
- 08 Planting Category:  
V\*\*-All Gold-Plated \*01-Gold Flash  
SN-Bright tin plating 70u"
- 09 Color: Blank-Natural color

Poles	Dimensions(mm)		Poles	Dimensions(mm)	
	A	B		A	B
02	6.05	---	14	31.25	25.20
04	10.25	4.20	16	35.45	29.40
06	14.45	8.40	18	39.65	33.60
08	18.65	12.60	20	43.86	37.80
10	22.85	16.80	22	48.05	42.00
12	27.05	21.00	24	52.25	46.20

X9357WR-2*XXY-N0V01	Nylon 66 UL 94V-0	Brass	Gold-Flash	X9357H
X9357WR-2*XXY-N0SN	Nylon 66 UL 94V-0	Brass	Tin-Plated	
X9357WR-2*XXY-N2V01	Nylon 66 UL 94V-2	Brass	Gold-Flash	
X9357WR-2*XXY-N2SN	Nylon 66 UL 94V-2	Brass	Tin-Plated	
PART NO	Material	Material(Pln)	Finish(Pln)	Suitable XKB Terminal

For and on behalf of  
**XKB INDUSTRIAL PRECISION CO., LIMITED**  
 香港星坤工業精密有限公司

Authorized Signature(s)

DSND	DATE	SCALE: N/A	MODEL TYPE: X9357WR-2*XXY-XXXX
DWN	DATE	VIEW:	PART NO.:
CHKD	DATE	UNIT: mm	4.20 mm Crimp Style Connectors
APPD	DATE	SIZE: A4	DWG NO.:
			WEIGHT
			1.0g
			SHEET
			1/1
			REVISION
			A0

XKB INDUSTRIAL PRECISION CO., LIMITED

A

B

C

D

E

F

A

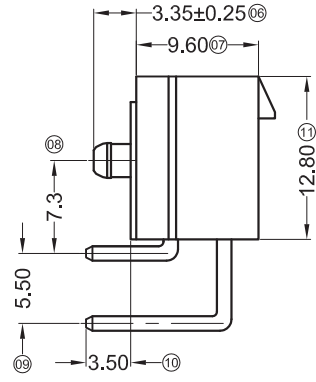
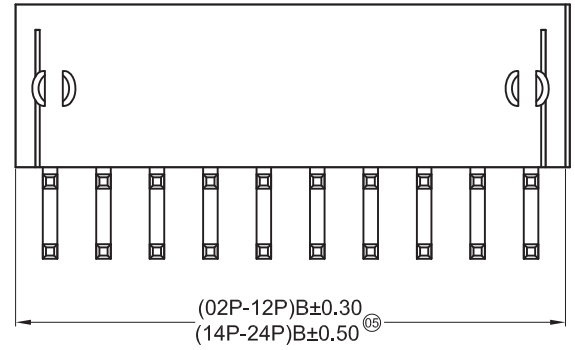
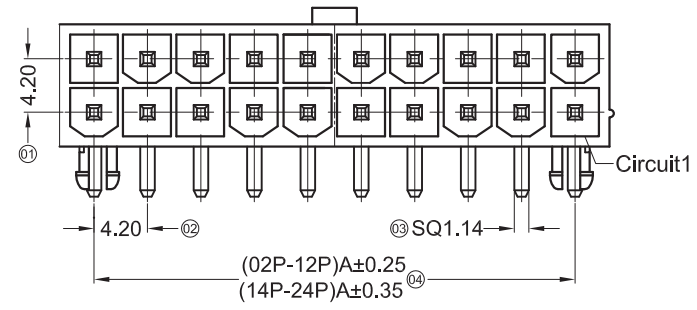
B

C

D

E

F

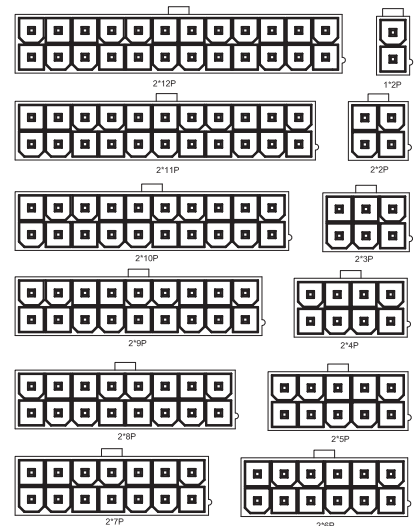


**Specifications :**

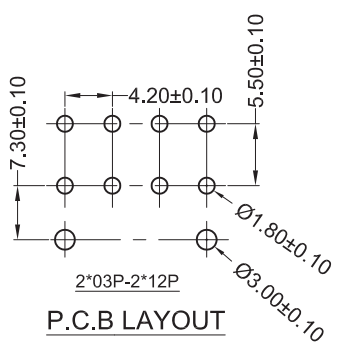
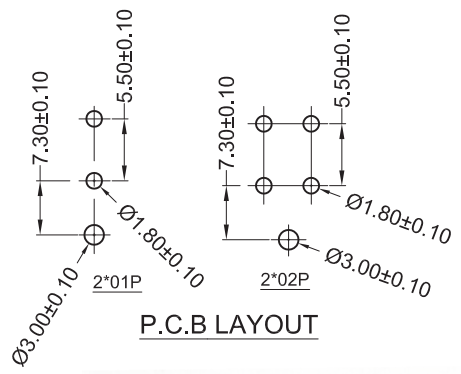
- Voltage rating: 600V AC / DC
- Current rating: 9A AC / DC
- Withstanding voltage: 1500V AC/minute
- Temperature range: -25°C~+85°C
- Insulation resistance: ≥1000MΩ
- Contact resistance: ≤10mΩ
- After environmental testing: ≤20mΩ

X9357 W R X-2\*XX SX-XX SN XX

- (11) Series No.
- (12) Category: W-wafer
- (13) Welding Board Angle: R-90°
- (14) Welding Way: Blank-DIP ;
- (15) Row No.-Pin No.: 2\*XX-Double row
- (16) Special NO.
- S-With positioning column F-halogen free
- (17) Material: N0-PA66 94V-0 ; N2-PA66 94V-2 ; LP-LCP 94V-0
- (18) Plating Category: SN-Bright tin plating 70u"
- (19) Color: Blank-natural color BK-BLACK BL-BLUE RE-RED



Poles	Dimensions(mm)	
	A	B
2*01	---	5.40
2*02	4.20	9.60
2*03	8.40	13.80
2*04	12.60	18.00
2*05	16.80	22.20
2*06	21.00	26.40
2*07	25.20	30.60
2*08	29.40	34.80
2*09	33.60	39.00
2*10	37.80	43.20
2*11	42.00	47.40
2*12	46.20	51.60



X9357WR-2*XXS-LPSN	LCP UL 94V-0	Brass	Tin-Plated	X9357H
X9357WR-2*XXSF-N0SNBK	Nylon 66 UL 94V-0 Halogen Free			
X9357WR-2*XXS-N0SNXX	Nylon 66 UL 94V-0			
X9357WR-2*XXS-N2SNXX	Nylon 66 UL 94V-2			
PART NO	Material	Material(Pin)	Finish(Pin)	Suitable XKB Terminal

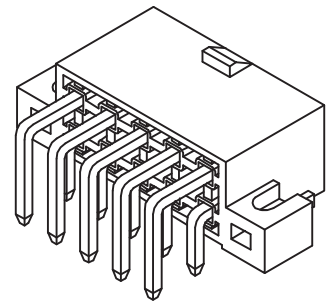
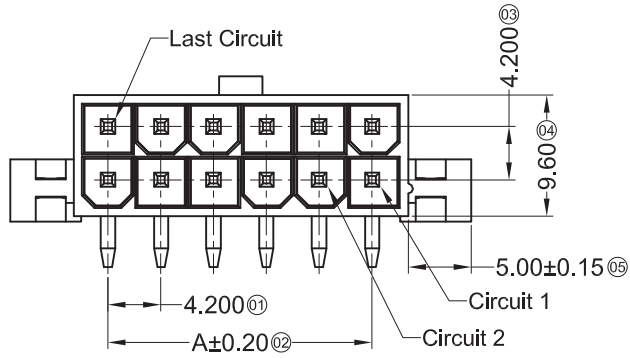
For and on behalf of  
**XKB INDUSTRIAL PRECISION CO., LIMITED**  
 香港星坤工業精密有限公司

△ X					ANGULAR	±5°
△ X					L ≤ 4	±0.2
△ X					4 < L ≤ 16	±0.3
MARK	DESCRIPTION	DATE	REVISED	APPROVED	16 < L ≤ 63	±0.4
					L > 63	±0.5
					UNSPECIFIED TOLERANCES	

DSND		DATE		SCALE: N/A	MODEL TYPE: X9357WR-2*XXS-XXSN
DWN		DATE		VIEW:	PART NO.:
CHKD		DATE		UNIT: mm	4.20mm Crimp Style Connectors
APPD		DATE		SIZE: A4	DWG NO.:
					WEIGHT 1.0g
					SHEET 1/1
					REVISION A0

Authorized Signature(s)

**XKB INDUSTRIAL PRECISION CO., LIMITED**



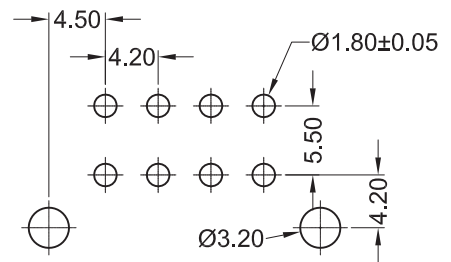
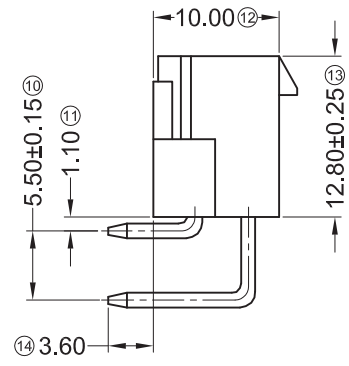
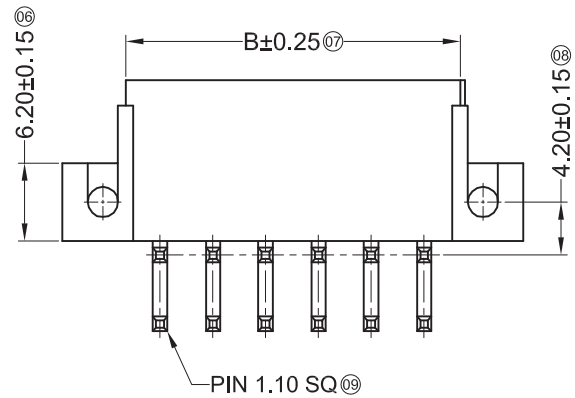
**Specifications :**

- Voltage rating: 600V AC / DC
- Current rating: 9A AC / DC
- Withstanding voltage: 1500V AC/minute
- Temperature range: -25°C~+85°C
- Insulation resistance: ≥1000MΩ
- Contact resistance: ≤10mΩ
- After environmental testing: ≤20mΩ

X9357 W R X-2\*XX ES-XX SN XX

① ② ③ ④ ⑤ ⑥ ⑦ ⑧ ⑨

- ① Series No.
- ② Category: W-wafer
- ③ Welding Board Angle: R-Right Angle 90°
- ④ Welding Way: Blank-DIP
- ⑤ Row No.-Pin No.: 2\*XX-2\*01P~2\*12P
- ⑥ Plug the Pin & Special No.:  
ES-With Ears and Screw Holes
- ⑦ Material: N0-PA66 94V-0 ; N2-PA66 94V-2
- ⑧ Plating Category: SN-Bright tin plating
- ⑨ Color: Blank-Natural Color



Recommended P.C.B Layout  
General Tolerance±0.10

Poles	Dimensions(mm)		Poles	Dimensions(mm)	
	A	B		A	B
2*01	---	5.40	2*07	25.20	30.60
2*02	4.20	9.60	2*08	29.40	34.80
2*03	8.40	13.80	2*09	33.60	39.00
2*04	12.60	18.00	2*10	37.80	43.20
2*05	16.80	22.20	2*11	42.00	47.40
2*06	21.00	26.40	2*12	46.20	51.60

X9357WR-2*XXES-N0SN	Nylon 66 UL 94V-0	Brass	Tin-Plated	X9357H
X9357WR-2*XXES-N2SN	Nylon 66 UL 94V-2	Brass	Tin-Plated	
PART N0	Material	Material(Pin)	Finish(Pin)	Suitable XKB Terminal

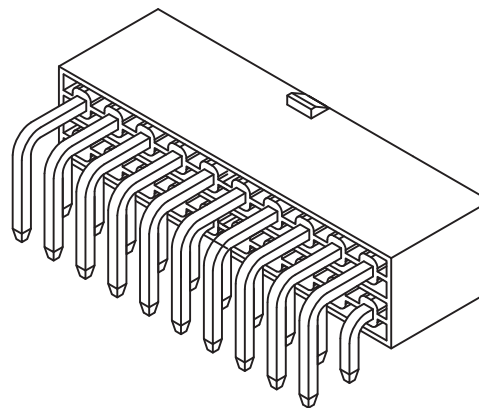
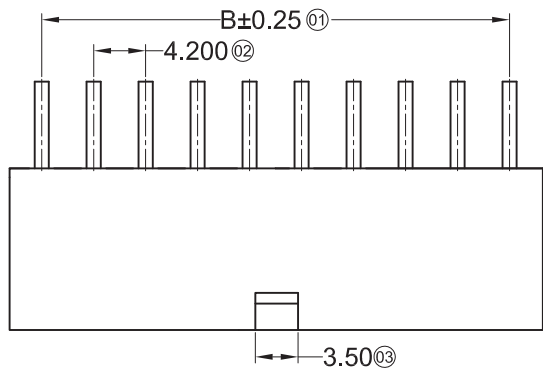
For and on behalf of  
**XKB INDUSTRIAL PRECISION CO., LIMITED**  
香港星坤工業精密有限公司

MARK	DESCRIPTION	DATE	REVISED	APPROVED	UNSPECIFIED TOLERANCES	DSND	DATE	SCALE: N/A	MODEL TYPE: X9357WR-2*XXES-XXSN
△ X					ANGULAR ±5°	DWN	DATE	VIEW:	PART NO.:
△ X					L ≤ 4 ±0.2	CHKD	DATE	UNIT: mm	4.20 mm Crimp Style Connectors
△ X					4 < L ≤ 16 ±0.3	APPD	DATE	SIZE: A4	DWG NO.:
					16 < L ≤ 63 ±0.4				
					L > 63 ±0.5				
									WEIGHT 1.0g
									SHEET 1/1
									REVISION A0

REVISIONS  
Authorized Signature(s)

**XKB INDUSTRIAL PRECISION CO., LIMITED**





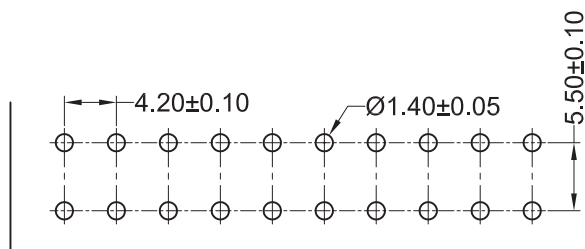
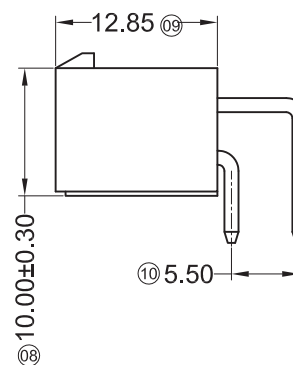
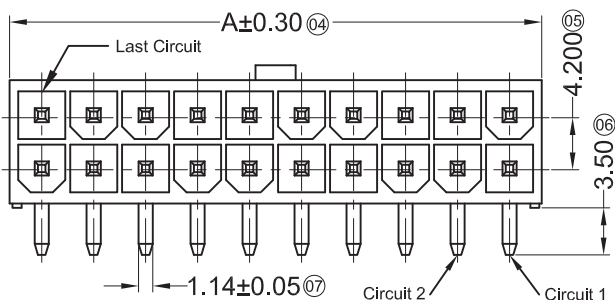
■ Specifications :

- Voltage rating: 600V AC / DC
- Current rating: 9A AC / DC
- Withstanding voltage: 1500V AC/minute
- Temperature range: -25°C~+85°C
- Insulation resistance: ≥1000MΩ
- Contact resistance: ≤10mΩ
- After environmental testing: ≤20mΩ

X9357 W R X-2\*XX DF-XX XX XX

① ② ③ ④ ⑤ ⑥ ⑦ ⑧ ⑨

- ① Series No.
- ② Category: W-wafer
- ③ Welding Board Angle: R-90°
- ④ Welding Way: Blank-DIP
- ⑤ Row No.-Pin No.: 2\*XX-Double Row
- ⑥ Plug the Pin & Special NO.:  
D-Without gluten ; DIP=3,50mm ,F-HF
- ⑦ Material: N0-PA66 94V-0 N2-PA66 94V-2
- ⑧ Planting Category:  
V\*\*-All Gold-Plated \*01-Gold Flash  
SN-Bright tin plating 70u"
- ⑨ Color: Blank-Natural color ; BK-Black



P.C.B. HOLE DIMENSION

Poles	Dimensions(mm)		Poles	Dimensions(mm)	
	A	B		A	B
02	5.40	---	14	25.20	30.60
04	9.60	4.20	16	29.40	34.80
06	13.80	8.40	18	33.60	39.00
08	18.00	12.60	20	37.80	43.20
10	22.20	16.80	22	42.00	47.40
12	26.40	21.00	24	46.20	51.60

X9357WR-2*XXD-N0V01	Nylon 66 UL 94V-0	Brass	Gold-Flash	X9357H
X9357WR-2*XXD-N0SN	Nylon 66 UL 94V-0	Brass	Tin-Plated	
X9357WR-2*XXD-N2V01	Nylon 66 UL 94V-2	Brass	Gold-Flash	
X9357WR-2*XXDX-N2SNXXX	Nylon 66 UL 94V-2	Brass	Tin-Plated	
PART NO	Material	Material(Pln)	Finlsh(Pln)	Suitable XKB Terminal

For and on behalf of  
**XKB INDUSTRIAL PRECISION CO., LIMITED**  
 香港星坤工業精密有限公司

△ X	
△ X	
△ X	
MARK	

DESCRIPTION	DATE	REVISED	APPROVED	UNSPECIFIED TOLERANCES
REVISIONS				
Authorized Signature(s)				

DSND	DATE	SCALE: N/A	MODEL TYPE: X9357WR-2*XXD-XXXXXXX
DWN	DATE	VIEW:	PART NO.:
CHKD	DATE	UNIT: mm	4.20 mm Crimp Style Connectors
APPD	DATE	SIZE: A4	DWG NO.:
			WEIGHT 1.0g
			SHEET 1/1
			REVISION A0

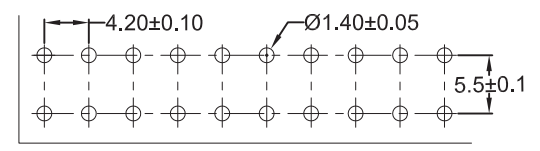
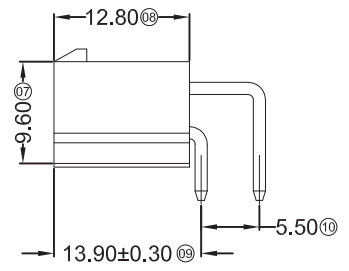
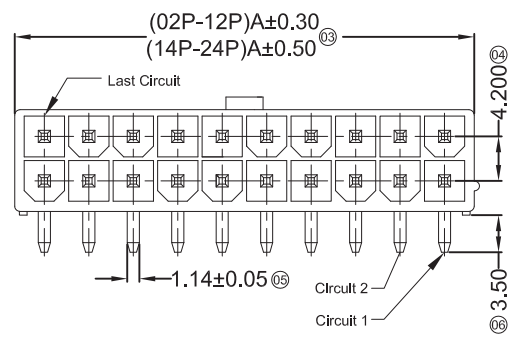
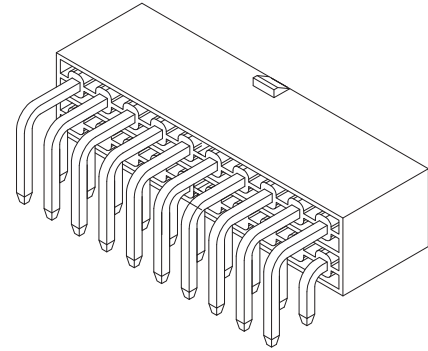
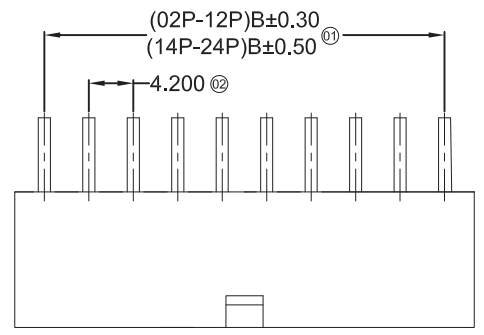
**XKB INDUSTRIAL PRECISION CO., LIMITED**

X9357 WR X - 2\*XX X - XX XX XX  
 ①② ③④ ⑤ ⑥ ⑦ ⑧ ⑨

■ Specifications :

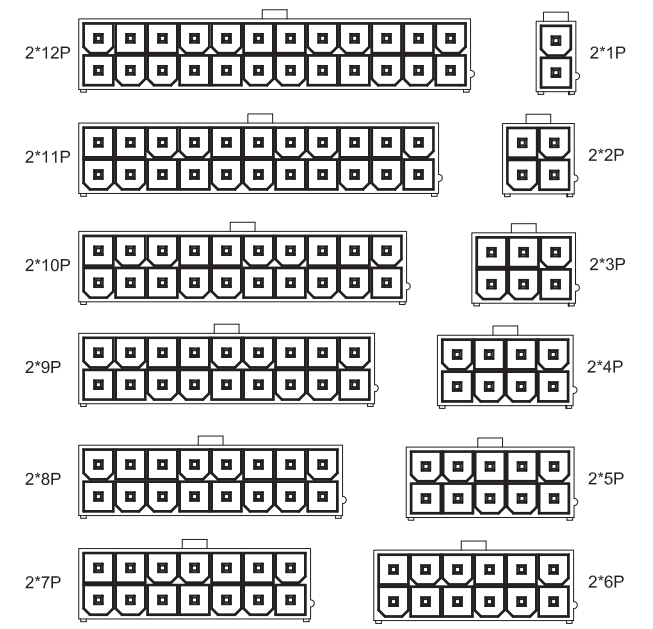
- Voltage rating: 600V AC / DC
- Current rating: 9A AC / DC
- Withstanding voltage: 1500V AC/minute
- Temperature range: -25°C~+85°C
- Insulation resistance: ≥1000MΩ
- Contact resistance: ≤10mΩ
- After environmental testing: ≤20mΩ

- ① Series No.
- ② Category: W-wafer
- ③ Welding Board Angle: R-90°
- ④ Welding Way: Blank-DIP
- ⑤ Row No.-Pin No.: 2\*XX-Double
- ⑥ Plug the Pin & Special NO. : F-HF
- ⑦ Material:  
N0-PA66 94V-0 ; N2-PA66 94V-2  
LP-LCP 94V-0 ; 6T-PA6T 94V-0 ; 9T-PA9T 94V-0
- ⑧ Planting Category:  
V:All Gold-Plated \*01-Gold Flash ;  
SN-Bright tin plating 70u"
- ⑨ Color:  
Blank-Natural Color BK-Black



P.C.B. HOLE DIMENSION

Poles	Dimensions(mm)		Poles	Dimensions(mm)	
	A	B		A	B
2*01	5.60	—	2*07	30.80	25.20
2*02	9.80	4.20	2*08	35.00	29.40
2*03	14.00	8.40	2*09	39.20	33.60
2*04	18.20	12.60	2*10	43.40	37.80
2*05	22.40	16.80	2*11	47.60	42.00
2*06	26.60	21.00	2*12	51.80	46.20



X9357WR-2*XXX-N0V01XX	Nylon 66 UL 94V-0	Brass	Gold-Flash	x 9357H	1,000Pcs
X9357WR-2*XXX-N0SNXX	Nylon 66 UL 94V-0	Brass	Tin-Plated		
X9357WR-2*XXX-N2V01XX	Nylon 66 UL 94V-2	Brass	Gold-Flash		
X9357WR-2*XXX-N2SNXX	Nylon 66 UL 94V-2	Brass	Tin-Plated		
PART NO	Material	Material(Pin)	Finish(Pin)	Suitable XKB	Qty/Bag

For and on behalf of  
**XKB INDUSTRIAL PRECISION CO., LIMITED**  
 香港星坤工業精密有限公司

MARK	DESCRIPTION	DATE	REVISED	APPROVED	UNSPECIFIED TOLERANCES	DSND	DATE	SCALE: N/A	MODEL TYPE: X9357WR-2*XXX-XXXX
△ X					ANGULAR ±5°	DWN	DATE	VIEW:	PART NO.:
△ X					L ≤ 4 ±0.2	CHKD	DATE	UNIT: mm	4.20mm Crimp Style Connectors
△ X					4 < L ≤ 16 ±0.3	APPD	DATE	SIZE: A4	DWG NO.:
					16 < L ≤ 63 ±0.4				
					L > 63 ±0.5				
									WEIGHT 1.0g
									SHEET 1/1
									REVISION A0

REVISIONS  
 Authorized Signature(s)

**XKB INDUSTRIAL PRECISION CO., LIMITED**

1 2 3 4 5 6 7 8

A

B

C

D

E

F

A

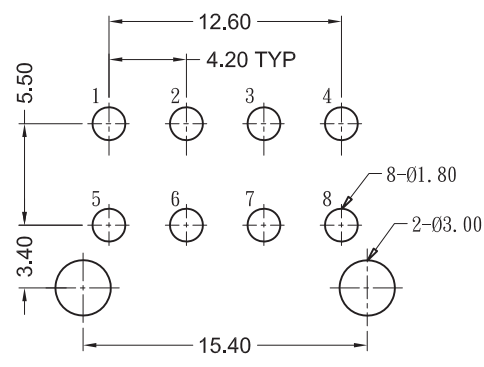
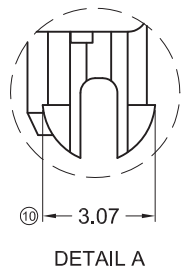
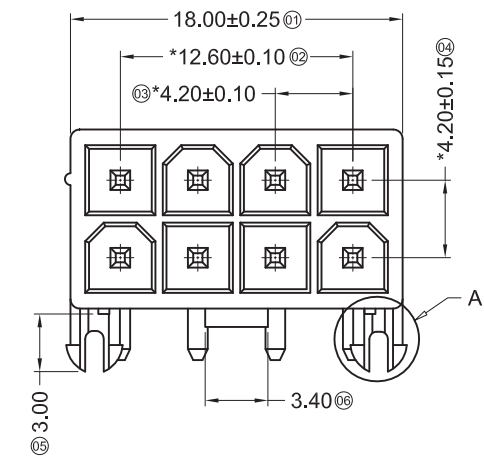
B

C

D

E

F



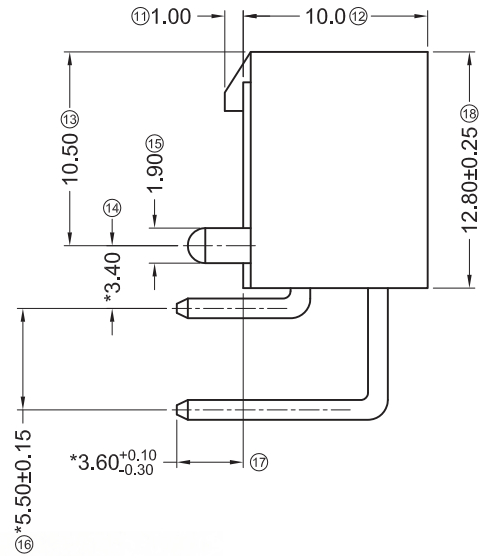
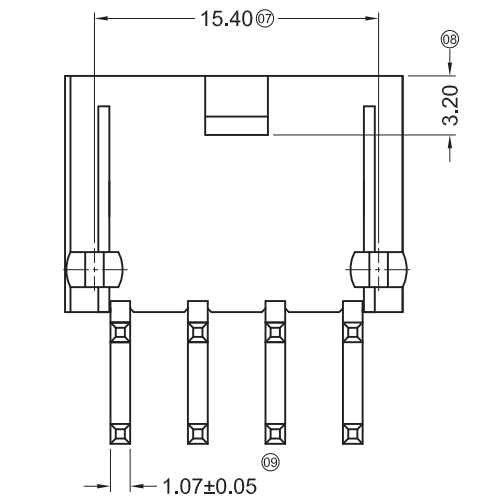
RECOMMEND P. C. B LAYOUT  
TOLERANCE: ±0.05

■ Specifications(规格):

- Voltage rating(额定电压): 600V AC / DC
- Current rating(额定电流): 9A AC / DC
- Withstanding voltage(耐压值): 1500V AC/minute
- Temperature range(工作温度): -25°C~+85°C
- Insulation resistance(绝缘电阻): ≥1000MΩ
- Contact resistance(接触电阻): ≤10mΩ
- After environmental testing(环境测试后): ≤20mΩ
- Mark "\*" Indicate Dimensions Need To Controlled In Emphasis(带 "\*" 标记表示尺寸需要重点控制)

X9357 W R X-2\*04 SE2 -XX XX XX  
① ② ③ ④ ⑤ ⑥ ⑦ ⑧ ⑨

- ① 系列
- ② 类别: W-WAFER类
- ③ 外观形态: R- Right Angle 90°
- ④ 成型方式: S-SMT
- ⑤ PIN数: 2\*04-2\*04P
- ⑥ 特殊码: SE2-连孔带柱, 反扣
- ⑦ 材质: N0-PA66 94V-0 ; LP-LCP 94V-0
- ⑧ 电镀类别: SW-镀雾锡; SN-镀亮锡
- ⑨ 颜色: 空码-本色



X9357WR-2*04SE2-LPSN	LCP UL 94V-0	Brass	Tin Plating	X9357H
X9357WR-2*04SE2-NOSW	PA66 UL 94V-0		Matte tin Plating	
PART NO	Material	Material(Pin)	Finish(Pin)	Suitable XKB

For and on behalf of  
**XKB INDUSTRIAL PRECISION CO., LIMITED**  
香港星坤工业精密有限公司

△ X					ANGULAR	±5°
△ X					L ≤ 4	±0.2
△ X					4 < L ≤ 16	±0.3
MARK	DESCRIPTION	DATE	REVISED	APPROVED	16 < L ≤ 63	±0.4
					L > 63	±0.5
					UNSPECIFIED TOLERANCES	

DSND		DATE		SCALE: N/A	MODEL TYPE: X9357WR-2*04SE2-XXXX		
DWN		DATE		VIEW:	PART NO.:		
CHKD		DATE		UNIT: mm	4.20 mm Crimp Style Connectors		
APPD		DATE		SIZE: A4	DWG NO.:		
					WEIGHT	SHEET	REVISION
					1.0g	1/1	A0

**XKB INDUSTRIAL PRECISION CO., LIMITED**

1 2 3 4 5 6 7 8

1 2 3 4 5 6 7 8

A

B

C

D

E

F

A

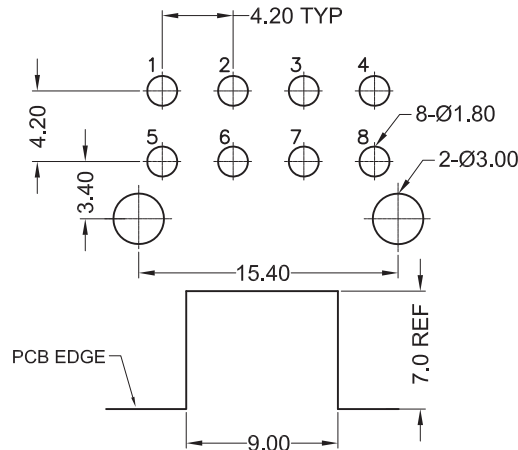
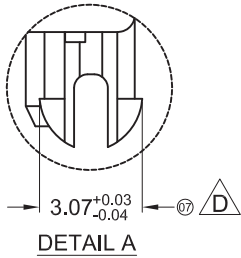
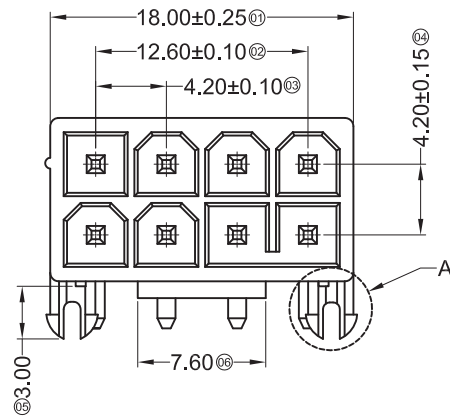
B

C

D

E

F



Recommended P.C.B Layout  
General Tolerance±0.05

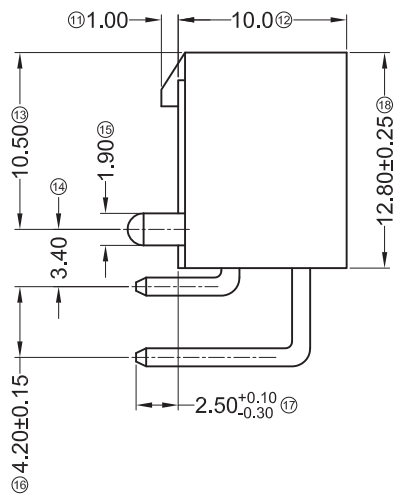
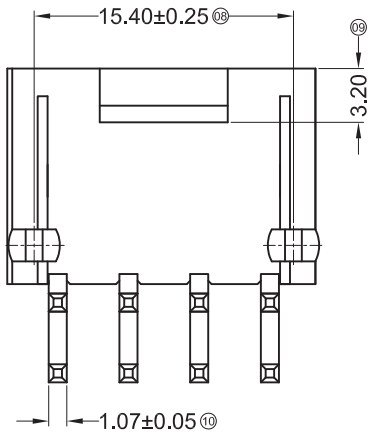
**Specifications :**

- Voltage rating: 600V AC / DC
- Current rating: 9A AC / DC
- Withstanding voltage: 1500V AC/minute
- Temperature range: -25°C~+85°C
- Insulation resistance: ≥1000MΩ
- Contact resistance: ≤10mΩ
- After environmental testing: ≤20mΩ

X9357 W R X-2\*04 FH-LP SW XX

① ② ③ ④ ⑤ ⑥ ⑦ ⑧ ⑨

- ① Series No.
- ② Category: W-wafer
- ③ Welding Board Angle: R- Right Angle 90°
- ④ Welding Way: Blank-DIP
- ⑤ Row No.-Pin No.: 2\*04-2\*04P
- ⑥ Plug the Pin & Special No.:  
FH-Mounting peg with linked holes,  
With Post, Reversrd Lock,
- ⑦ Material: LP-LCP 94V-0
- ⑧ Planting Category: SW-Matte tin plating
- ⑨ Color: Blank-Natural Color Black



X9357WR-2*04FH-LPSW	LCP UL 94V-0 (halogen free)	Brass	MatteTin-Plated	X9357H
PART NO	Material	Material(Pin)	Finish(Pin)	Suitable XKB Terminal

For and on behalf of  
**XKB INDUSTRIAL PRECISION CO., LIMITED**  
香港星坤工業精密有限公司

△ X						ANGULAR	±5°
△ X						L ≤ 4	±0.2
△ X						4 < L ≤ 16	±0.3
MARK	DESCRIPTION	DATE	REVISED	APPROVED		16 < L ≤ 63	±0.4
						L > 63	±0.5
						UNSPECIFIED TOLERANCES	

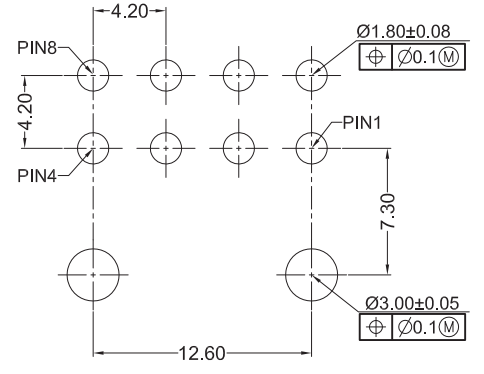
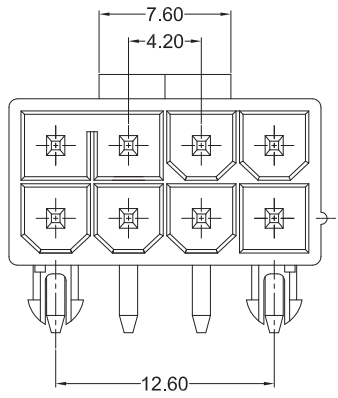
DSND		DATE		SCALE: N/A	MODEL TYPE: X9357WR-2*04FH-LPSW		
DWN		DATE		VIEW:	PART NO.:		
CHKD		DATE		UNIT: mm	4.20 mm Crimp Style Connectors		
APPD		DATE		SIZE: A4	DWG NO.:		
					WEIGHT	SHEET	REVISION
					1.0g	1/1	A0

**XKB INDUSTRIAL PRECISION CO., LIMITED**

1 2 3 4 5 6 7 8

1 2 3 4 5 6 7 8

A



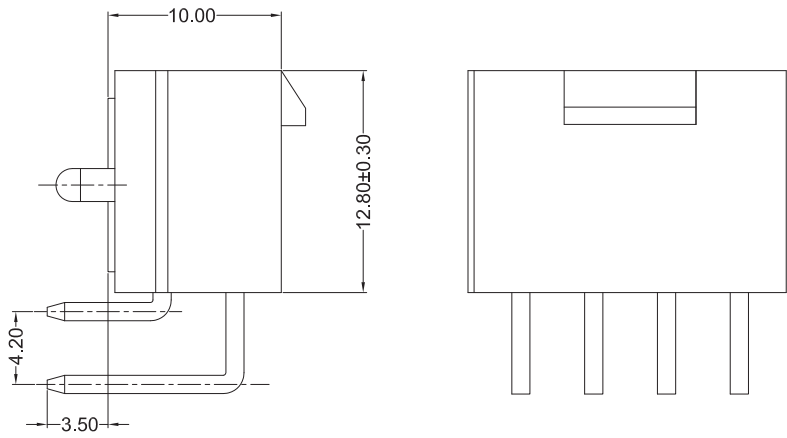
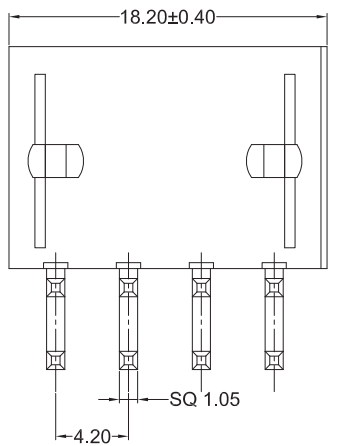
RECOMMENDED P.C.B. HOLE LAYOUT  
(TOLERANCE:±0.05)

- Specifications(规格):
- Voltage rating(额定电压): 600V AC / DC
  - Current rating(额定电流): 9A AC / DC
  - Withstanding voltage(耐压值): 1500V AC/minute
  - Temperature range(工作温度): -25°C~+85°C
  - Insulation resistance(绝缘电阻): ≥1000MΩ
  - Contact resistance(接触电阻): ≤10mΩ
  - After environmental testing(环境测试后): ≤20mΩ

X9357 W R X-2\*04 EH-XX SX XX  
① ② ③ ④ ⑤ ⑥ ⑦ ⑧ ⑨

- ① 系列
- ② 类别: W-WAFER类
- ③ 外观形态:  
V-180° R-90°(带脚式)
- ④ 成型方式:  
空码-DIP S-SMT W-公母连体
- ⑤ PIN数:  
单排-XX 双排-2\*XX
- ⑥ 特殊码:  
EH-连孔带定位柱
- ⑦ 材质:  
N2-PA66 LP-LCP 94V-2 94V-0
- ⑧ 电镀类别:  
SW-镀雾锡 SN-镀亮锡(70U")
- ⑨ 颜色:  
空码-本色或普通色

C



D

E

X9357WR-2*04EH-LPSN	LCP UL 94V-0	Brass	Tin-Plated	X9357H
X9357WR-2*04EH-N2SW	Nylon 66 UL 94V-2	Brass	Tin Plating Fog	X9357H
PART NO	Material	Material(Pin)	Flnsh(PIn)	Suitable XKB Terminal

For and on behalf of  
**XKB INDUSTRIAL PRECISION CO., LIMITED**  
香港星坤工業精密有限公司

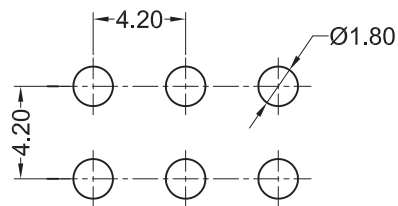
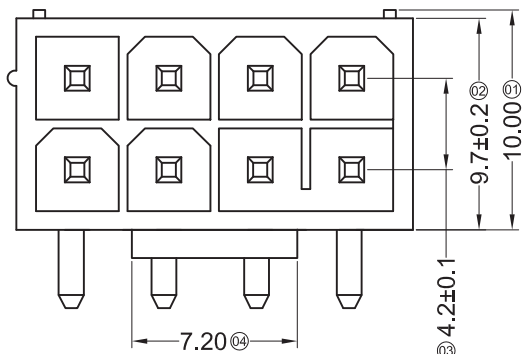
F

△ X					ANGULAR	±5°
△ X					L ≤ 4	±0.2
△ X					4 < L ≤ 16	±0.3
MARK	DESCRIPTION	DATE	REVISED	APPROVED	16 < L ≤ 63	±0.4
					L > 63	±0.5
					UNSPECIFIED TOLERANCES	

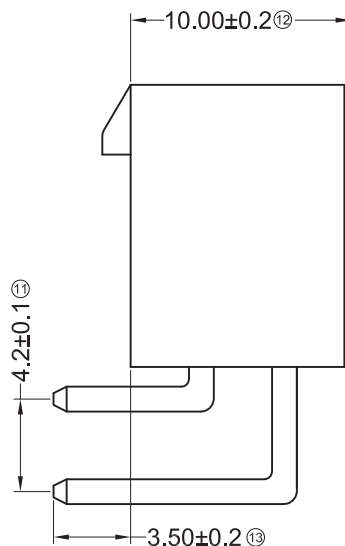
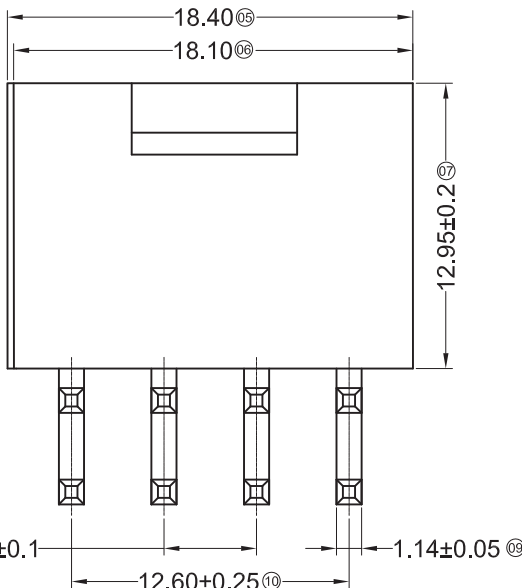
DSND		DATE		SCALE: N/A	MODEL TYPE: X9357WR-2*04EH-XXXX	
DWN		DATE		VIEW:	PART NO.:	
CHKD		DATE		UNIT: mm	4.20 mm Crimp Style Connectors	
APPD		DATE		SIZE: A4	DWG NO.:	
				WEIGHT	SHEET	REVISION
				1.0g	1/1	A0

**XKB INDUSTRIAL PRECISION CO., LIMITED**

1 2 3 4 5 6 7 8



P.C.B LAYOUT



Specifications :

- Voltage rating: 600V AC / DC
- Current rating: 9A AC / DC
- Withstanding voltage: 1500V AC/minute
- Temperature range: -25°C~+85°C
- Insulation resistance: ≥1000MΩ
- Contact resistance: ≤10mΩ
- After environmental testing: ≤20mΩ

X9357 W R X-2\*04 CP- N2 SN XX

① ② ③ ④ ⑤ ⑥ ⑦ ⑧ ⑨

- ① Series No.
- ② Category: W-Wafer
- ③ Welding Board Angle: R-90°
- ④ Welding Way: Blank-DIP
- ⑤ Row No.-Pin No.: 2\*04-Double Row
- ⑥ Plug the Pin & Special NO.  
CP-the 7P-8P Connected Without the Positioning Column
- ⑦ Material: N2-PA66 94V-2
- ⑧ Planting Category:  
SN-Bright tin plating 70u"  
SW-Fog Tin plating
- ⑨ Color: Blank-natural color

X9357WR-2*04CP-N2SN	Nylon 66 UL 94V-2	Brass	Tin-Plated	X9357H
PART NO	Material	Material(Pin)	Finish(Pin)	Suitable XKB Terminal

For and on behalf of  
**XKB INDUSTRIAL PRECISION CO., LIMITED**  
**香港星坤工業精密有限公司**

Authorized Signature(s)

DSND	DATE	SCALE: N/A	MODEL TYPE: X9357WR-2*04CP-N2SN
DWN	DATE	VIEW:	PART NO.:
CHKD	DATE	UNIT: mm	4.20 mm Crimp Style Connectors
APPD	DATE	SIZE: A4	DWG NO.:
			WEIGHT
			1.0g
			SHEET
			1/1
			REVISION
			A0

**XKB INDUSTRIAL PRECISION CO., LIMITED**

1 2 3 4 5 6 7 8

A

B

C

D

E

F

A

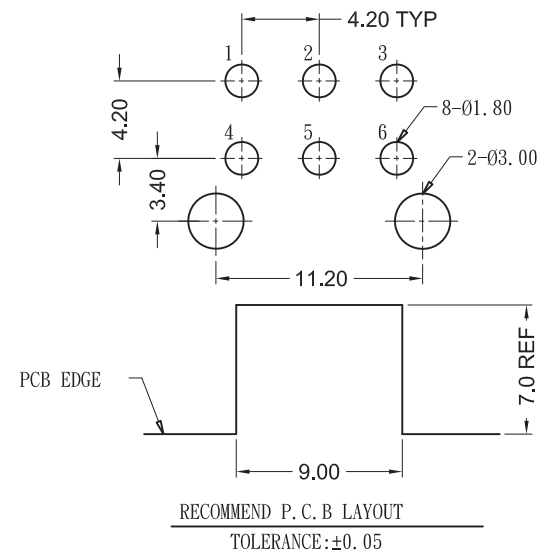
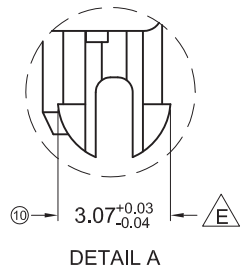
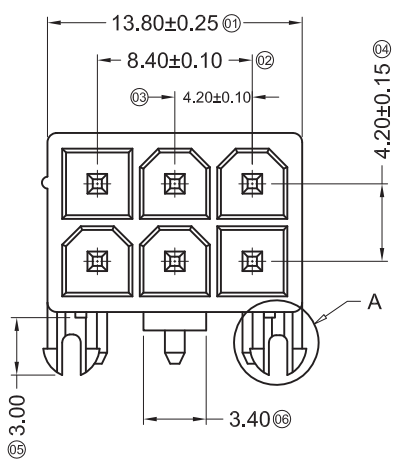
B

C

D

E

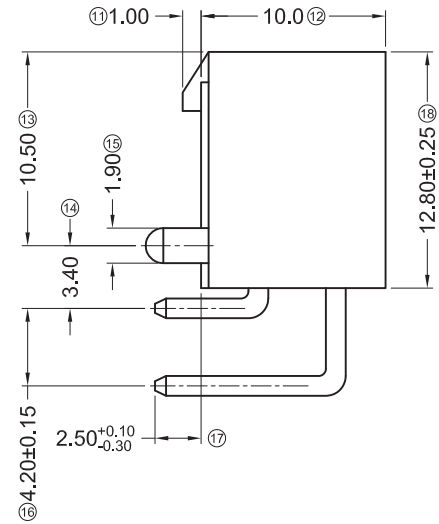
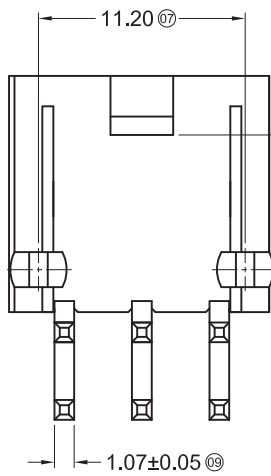
F



- Specifications :
- Voltage rating: 600V AC / DC
  - Current rating: 9A AC / DC
  - Withstanding voltage: 1500V AC/minute
  - Temperature range: -25°C~+85°C
  - Insulation resistance: ≥1000MΩ
  - Contact resistance: ≤10mΩ
  - After environmental testing: ≤20mΩ

X9357 W R X-2\*03 SE-LP SW XX  
① ② ③ ④ ⑤ ⑥ ⑦ ⑧ ⑨

- ① Series No.
- ② Category: W-wafer
- ③ Welding Board Angle: R- Right Angle 90°
- ④ Welding Way: Blank-DIP
- ⑤ Row No.-Pin No.: 2\*03-2\*03P
- ⑥ Plug the Pin & Special No.: SE-With Post, Reversd Lock, the 5th Pin Foolproof
- ⑦ Material: LP-LCP 94V-0
- ⑧ Plating Category: SW-Matte tin plating
- ⑨ Color: Blank-Natural Color Black



X9357WR-2*03SE-LPSW	LCP UL 94V-0	Brass	Matte tin Plating	X9357H
PART NO	Material	Material(Pin)	Finish(Pin)	Suitable XKB Terminal

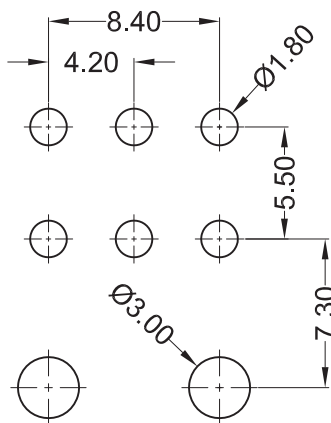
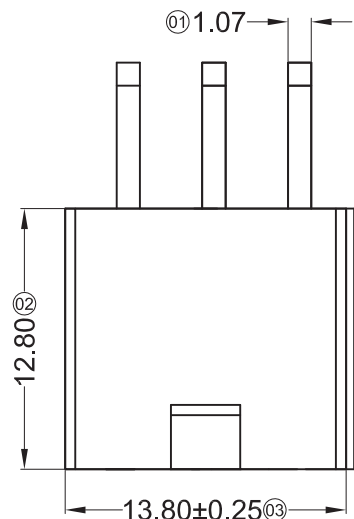
For and on behalf of  
**XKB INDUSTRIAL PRECISION CO., LIMITED**  
香港星坤工業精密有限公司

△ X						ANGULAR	±5°
△ X						L ≤ 4	±0.2
△ X						4 < L ≤ 16	±0.3
MARK	DESCRIPTION	DATE	REVISED	APPROVED		16 < L ≤ 63	±0.4
						L > 63	±0.5
						UNSPECIFIED TOLERANCES	

DSND		DATE		SCALE: N/A	MODEL TYPE: X9357WR-2*03SE-LPSW		
DWN		DATE		VIEW:	PART NO.:		
CHKD		DATE		UNIT: mm	4.20 mm Crimp Style Connector:		
APPD		DATE		SIZE: A4	DWG NO.:		
					WEIGHT	SHEET	REVISION
					1.0g	1/1	A0

**XKB INDUSTRIAL PRECISION CO., LIMITED**

1 2 3 4 5 6 7 8



Recommended P.C.B Layout  
General Tolerance±0.05

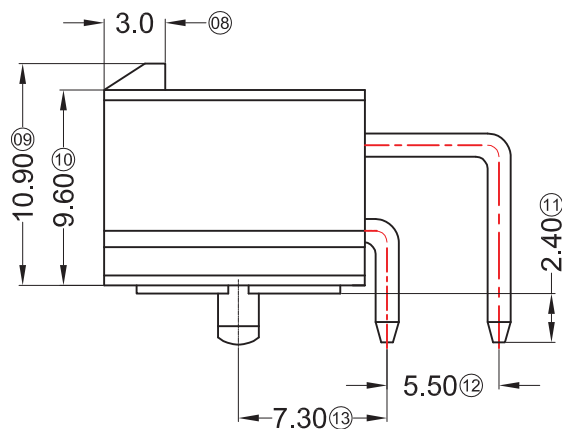
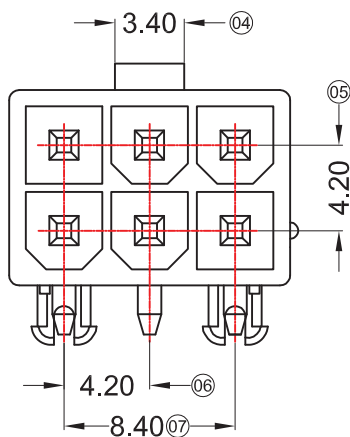
■ Specifications :

- Voltage rating: 600V AC / DC
- Current rating: 9A AC / DC
- Withstanding voltage: 1500V AC/minute
- Temperature range: -25°C~+85°C
- Insulation resistance: ≥1000MΩ
- Contact resistance: ≤10mΩ
- After environmental testing: ≤20mΩ

X9357 W R X-2\*03 SB1-9T SW XX

① ② ③ ④ ⑤ ⑥ ⑦ ⑧ ⑨

- ① 系列
- ② 类别: W-Wafer
- ③ 外观形态: R- Right Angle 90°
- ④ 成型方式: 空码-DIP
- ⑤ PIN数: 2\*03-2\*03P
- ⑥ 空码位置及特殊码:  
SB1-带定位柱、第五PIN防呆, 插板2.40mm
- ⑦ 材质: 9T-PA9T 94V-0
- ⑧ 电镀类别: SW-镀雾锡
- ⑨ 颜色: 空码-黑色



X9357WR-2*03SB1-9TSW	Nylon 9T UL 94V-0	Brass	Matte tin	X9357H
PART NO	Material	Material(Pin)	Finish(Pin)	Suitable XKB Terminal

For and on behalf of  
**XKB INDUSTRIAL PRECISION CO., LIMITED**  
香港星坤工業精密有限公司

△ X					ANGULAR	±5°
△ X					L ≤ 4	±0.2
△ X					4 < L ≤ 16	±0.3
MARK	DESCRIPTION	DATE	REVISED	APPROVED	16 < L ≤ 63	±0.4
					L > 63	±0.5
	REVISIONS				UNSPECIFIED TOLERANCES	

DSND		DATE		SCALE: N/A	MODEL TYPE: X9357WR-2*03SB1-9TSW
DWN		DATE		VIEW:	PART NO.:
CHKD		DATE		UNIT: mm	4.20 mm Crimp Style Connectors
APPD		DATE		SIZE: A4	DWG NO.:
				WEIGHT	SHEET
				1.0g	1/1
				REVISION	A0

**XKB INDUSTRIAL PRECISION CO., LIMITED**



## X-ON Electronics

Largest Supplier of Electrical and Electronic Components

*Click to view similar products for [Headers & Wire Housings](#) category:*

*Click to view products by [XKB](#) manufacturer:*

Other Similar products are found below :

[57102-F02-18ULF](#) [58102-G61-06LF](#) [0009485154](#) [009176003701906](#) [0050291907](#) [02.125.8002.8](#) [609-3404](#) [61062-3](#) [622-0430](#) [622-3653LF](#)  
[63453-116](#) [636-1030](#) [636-1427](#) [636-3427](#) [636-4007](#) [641938-9](#) [644827-2](#) [65495-038](#) [65692-001LF](#) [65781-018](#) [65781-047](#) [65817-010LF](#)  
[65817-015LF](#) [66207-023LF](#) [67016-026LF](#) [67095-007LF](#) [68631-112](#) [68645-018](#) [68648-049](#) [699319-000](#) [70.362.1628.0](#) [70-4210](#) [70-4226B](#)  
[70-4853B](#) [707-5020](#) [707-5028](#) [71.350.2428.0](#) [71961-016LF](#) [733-134](#) [754199-000](#) [760-3052](#) [787-8014-00](#) [FCN-367T-T012/H](#) [80.063.4001.1](#)  
[800-90-010-10-002000](#) [801-43-002-10-013000](#) [801-43-006-10-002000](#) [803-41-018-10-001000](#) [803-43-014-20-001000](#) [803-43-024-10-001000](#)