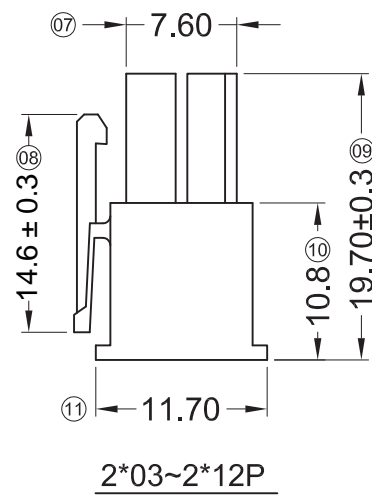
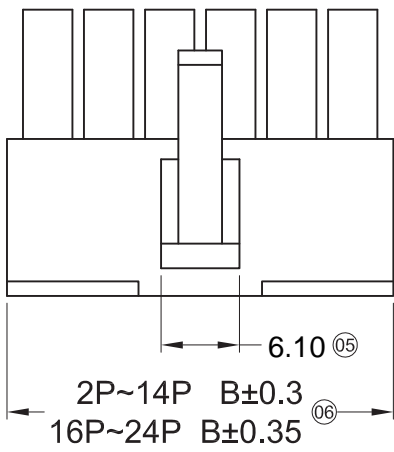
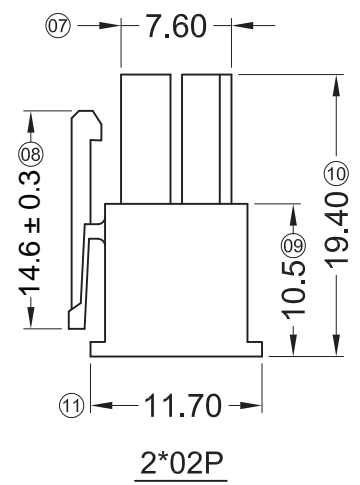
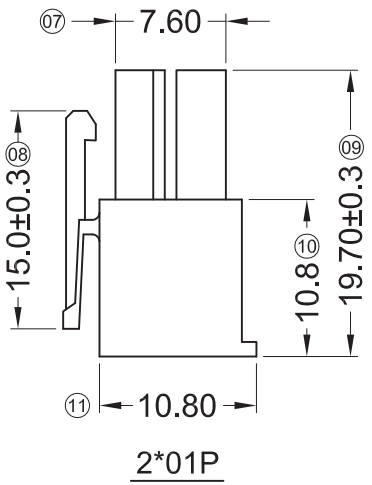
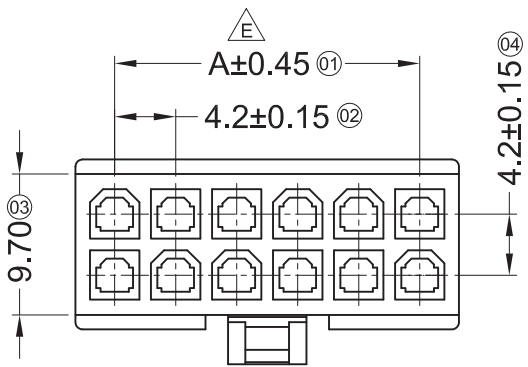


1 2 3 4 5 6 7 8

A B C D E F

A B C D E F



■ Specifications :

- Voltage rating: 600V AC / DC
- Current rating: 9A AC / DC
- Withstanding voltage: 1500V AC/minute
- Temperature range: -25°C~+85°C
- Insulation resistance: ≥1000MΩ
- Contact resistance: ≤10mΩ
- After environmental testing: ≤20mΩ

X9357 H M-2*XX XX-XX XX

① ② ③ ④ ⑤ ⑥ ⑦

- ① Series No.
- ② Category: H-HSG
- ③ Welding Board Angle: M-Male HSG
- ④ Row No.-Pin No.: 2*XX-2*01P~2*12P
- ⑤ Plug the Pin & special No.:
- ⑥ Material: N0-PA66 94V-0; N2-PA66 94V-2
- ⑦ Color: Blank-Natural Color ; BK-Black

| Poles | Dimensions(mm) | | Poles | Dimensions(mm) | |
|-------|----------------|-------|-------|----------------|-------|
| | A | B | | A | B |
| 2*01 | / | 5.50 | 2*07 | 25.20 | 30.70 |
| 2*02 | 4.20 | 9.70 | 2*08 | 29.40 | 34.90 |
| 2*03 | 8.40 | 13.90 | 2*09 | 33.60 | 39.10 |
| 2*04 | 12.60 | 18.10 | 2*10 | 37.80 | 43.30 |
| 2*05 | 16.80 | 22.30 | 2*11 | 42.00 | 47.50 |
| 2*06 | 21.00 | 26.50 | 2*12 | 46.20 | 51.70 |

| | | | |
|---------------------|----------------------|-----------------------|-----------------------|
| △ X9357HM-2*XX-N2BK | Nylon 66 94V-2 Black | X9357TF | X9357W Or 9357H |
| X9357HM-2*XX-LP | LCP 94V-0 | | |
| X9357HM-2*XX-N2 | Nylon 66 94V-2 | | |
| X9357HM-2*XX-N0 | Nylon 66 94V-0 | | |
| PART NO | Material | Suitable XKB Terminal | Suitable XKB Terminal |

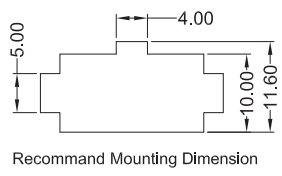
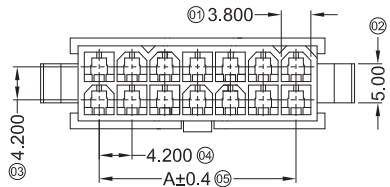
For and on behalf of
XKB INDUSTRIAL PRECISION CO., LIMITED
 香港星坤工業精密有限公司

| | | | | | | | | | | | | | |
|------|-------------|------|---------|----------|------------------------|------|------|--|------|------------|--------------------------------|-------|----------|
| △ X | | | | | ANGULAR | ±5° | DSND | | DATE | SCALE: N/A | MODEL TYPE: X9357HM-2*XX-XX | | |
| △ X | | | | | L ≤ 4 | ±0.2 | DWN | | DATE | VIEW: | PART NO.: | | |
| △ X | | | | | 4 < L ≤ 16 | ±0.3 | CHKD | | DATE | UNIT: mm | 4.20mm Crimp Style Connectors | | |
| MARK | DESCRIPTION | DATE | REVISED | APPROVED | 16 < L ≤ 63 | ±0.4 | APPD | | DATE | SIZE: A4 | DWG NO.: | | |
| | | | | | L > 63 | ±0.5 | | | | | WEIGHT | SHEET | REVISION |
| | | | | | UNSPECIFIED TOLERANCES | | | | | | 1.0g | 1/1 | A0 |

REVISIONS
 Authorized Signature(s)

XKB INDUSTRIAL PRECISION CO., LIMITED

1 2 3 4 5 6 7 8



Recommend Mounting Dimension

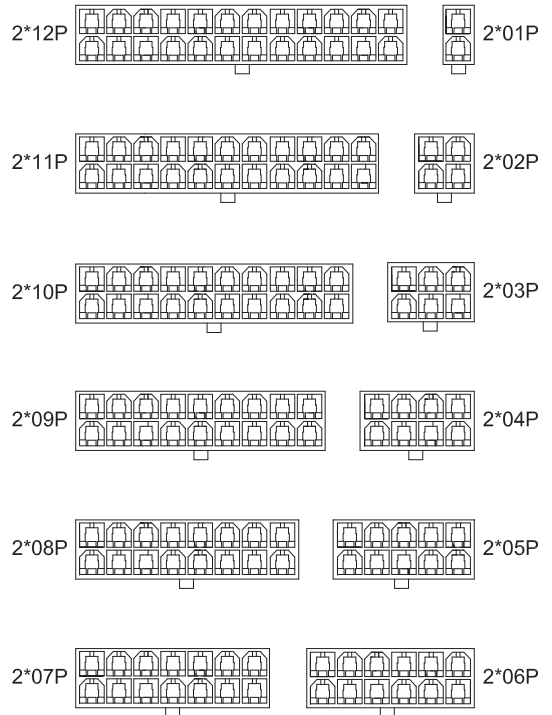
■ Specifications :

- Voltage rating: 600V AC / DC
- Current rating: 9A AC / DC
- Withstanding voltage: 1500V AC/minute
- Temperature range: -25°C~+85°C
- Insulation resistance: ≥1000MΩ
- Contact resistance: ≤10mΩ
- After environmental testing: ≤20mΩ

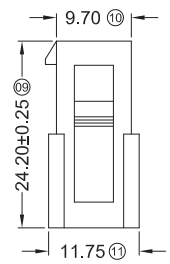
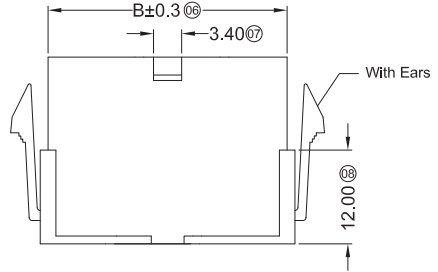
X9357 H F-2*XX X-XX XX

- ① ② ③ ④ ⑤ ⑥ ⑦

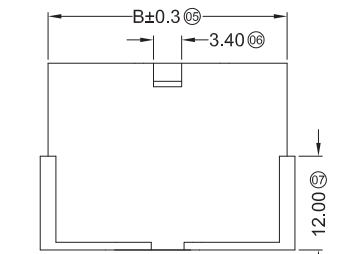
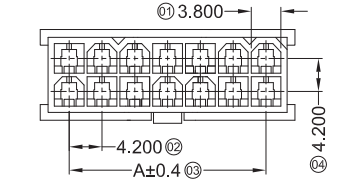
- ① Series No.
- ② Category: H-HSG
- ③ Welding Board Angle: F-Female
- ④ Row No.-Pin No.: 2*XX-2*01P~2*12P
- ⑤ Plug the Pin & special No.:
I-Without the Wing; G-With the Wing
- ⑥ Material: N0-PA66 94V-0; N2-PA66 94V-2
- ⑦ Color : Blank-Natural Color
BK-Black



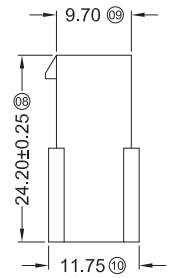
| Poles | Dimensions(mm) | | Poles | Dimensions(mm) | |
|-------|----------------|-------|-------|----------------|-------|
| | A | B | | A | B |
| 2*01 | -- | 5.60 | 2*07 | 25.20 | 30.80 |
| 2*02 | 4.20 | 9.80 | 2*08 | 29.40 | 35.00 |
| 2*03 | 8.40 | 14.00 | 2*09 | 33.60 | 39.20 |
| 2*04 | 12.60 | 18.20 | 2*10 | 37.80 | 43.40 |
| 2*05 | 16.80 | 22.40 | 2*11 | 42.00 | 47.60 |
| 2*06 | 21.00 | 26.60 | 2*12 | 46.20 | 51.80 |



With Ears



Without Ears



| | | | | | |
|---|--------------------|----------------------|-----------------------|-----------------------|--------------|
| E | X9357HF-2*XXI-N2BK | Nylon 66 94V-2 Black | X9357TM | X9357W Or 9357H | Without Ears |
| | X9357HF-2*XXG-N2 | Nylon 66 94V-2 | | | With Ears |
| | X9357HF-2*XXI-N2 | Nylon 66 94V-2 | | | Without Ears |
| | X9357HF-2*XXG-N0 | Nylon 66 94V-0 | | | With Ears |
| | X9357HF-2*XXI-N0 | Nylon 66 94V-0 | | | Without Ears |
| | PART N0 | Material | Suitable XKB Terminal | Suitable XKB Terminal | Note |

For and on behalf of
XKB INDUSTRIAL PRECISION CO., LIMITED
 香港星坤工業精密有限公司

| | | | | | | |
|------|-------------|------|---------|----------|------------------------|------|
| △ X | | | | | ANGULAR | ±5° |
| △ X | | | | | L ≤ 4 | ±0.2 |
| △ X | | | | | 4 < L ≤ 16 | ±0.3 |
| MARK | DESCRIPTION | DATE | REVISED | APPROVED | 16 < L ≤ 63 | ±0.4 |
| | | | | | L > 63 | ±0.5 |
| | | | | | UNSPECIFIED TOLERANCES | |

| | | | |
|---------------------------------------|------|------------|---------------------------------|
| DSND | DATE | SCALE: N/A | MODEL TYPE: X9357HF-2*XXX-XX |
| DWN | DATE | VIEW: | PART NO.: |
| CHKD | DATE | UNIT: mm | 4.20 mm Crimp Style Connectors |
| APPD | DATE | SIZE: A4 | DWG NO.: |
| XKB INDUSTRIAL PRECISION CO., LIMITED | | | WEIGHT 1.0g |
| | | | SHEET 1/1 |
| | | | REVISION A0 |

REVISIONS
 Authorized Signature(s)

1 2 3 4 5 6 7 8

A

B

C

D

E

F

A

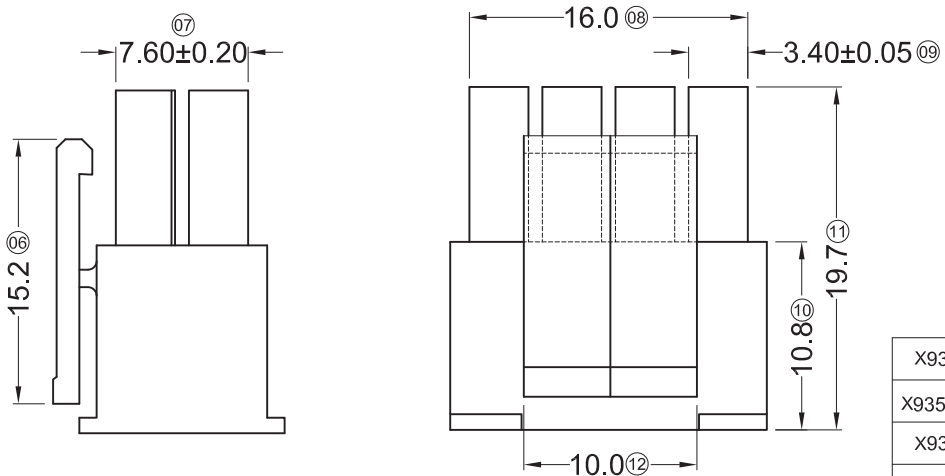
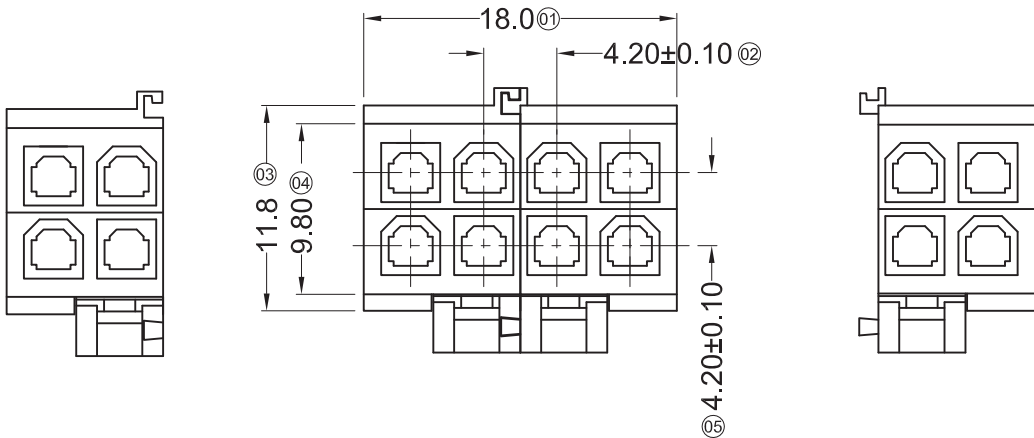
B

C

D

E

F



Specifications :

- Voltage rating: 600V AC / DC
- Current rating: 9A AC / DC
- Withstanding voltage: 1500V AC/minute
- Temperature range: -25°C~+85°C
- Insulation resistance: ≥1000MΩ
- Contact resistance: ≤10mΩ
- After environmental testing: ≤20mΩ

X9357 H M-2*04 A- XX XX

① ② ③ ④ ⑤ ⑥ ⑦

- ① Series No.
- ② Category: H-HSG
- ③ Appearance type: M-Male HSG
- ④ Row No.-Pin No.: 2*XX-Double Row
- ⑤ Plug the Pin & Special No.: A- 4+4P Type
- ⑥ Material : N0-PA66 94V-0 ; N2-PA66 94V-2
- ⑦ Color: Blank-Natural Color; BK-Black

| | | | | |
|--------------------|----------------|---------------|-----------------------|-----------------------|
| X9357HM-2*04A-N2 | Nylon 66 94V-2 | Natural Color | X9357TF | X9357W Or 9357H |
| X9357HM-2*04A-N2BK | | Black | | |
| X9357HM-2*04A-N0 | Nylon 66 94V-0 | Natural Color | | |
| X9357HM-2*04A-N0BK | | Black | | |
| PART NO | Material | Color | Suitable XKB Terminal | Suitable XKB Terminal |

For and on behalf of
XKB INDUSTRIAL PRECISION CO., LIMITED
 香港星坤工業精密有限公司

| | | | | | | | | | | | | | |
|-----------|-------------|------|---------|----------|-------------|------------------------|--|--|------|--|------------|-----------------------------------|----------|
| △ X | | | | | ANGULAR | ±5° | DSND | | DATE | | SCALE: N/A | MODEL TYPE: X9357HM-2*04A-XXXX | |
| △ X | | | | | L ≤ 4 | ±0.2 | DWN | | DATE | | VIEW: | PART NO.: | |
| △ X | | | | | 4 < L ≤ 16 | ±0.3 | CHKD | | DATE | | UNIT: mm | 4.20 mm Crimp Style Connectors | |
| △ X | | | | | 16 < L ≤ 63 | ±0.4 | APPD | | DATE | | SIZE: A4 | DWG NO.: | |
| MARK | DESCRIPTION | DATE | REVISED | APPROVED | L > 63 | ±0.5 | | | | | | | |
| REVISIONS | | | | | | UNSPECIFIED TOLERANCES | XKB INDUSTRIAL PRECISION CO., LIMITED | | | | WEIGHT | SHEET | REVISION |
| | | | | | | | | | | | 1.0g | 1/1 | A0 |

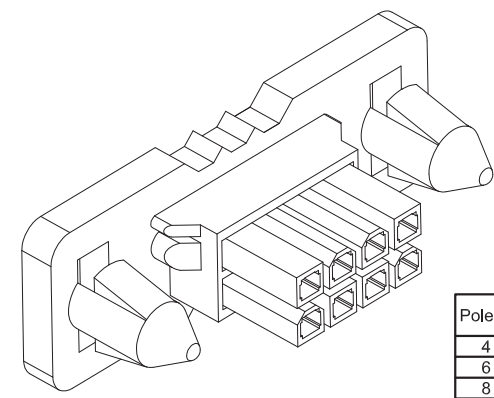
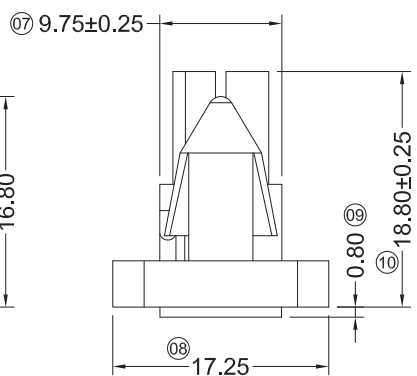
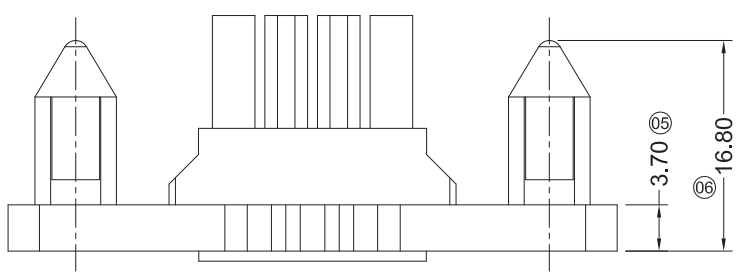
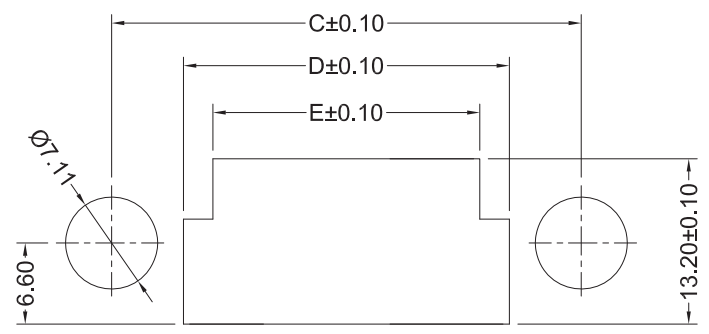
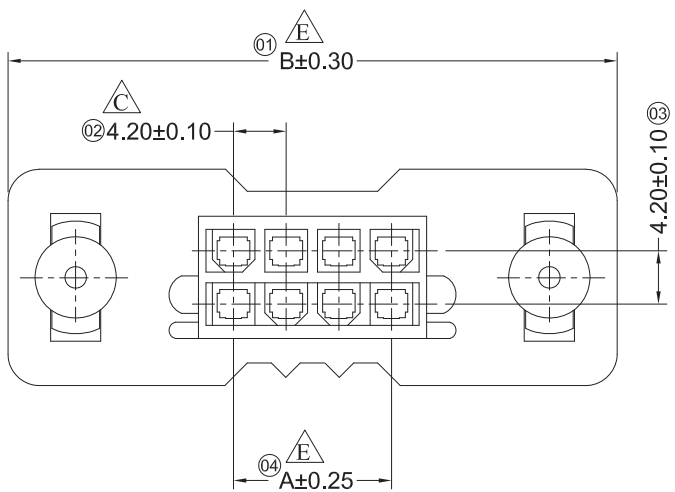
1 2 3 4 5 6 7 8

■ Specifications :

- Voltage rating: 600V AC / DC
- Current rating: 9A AC / DC
- Withstanding voltage: 1500V AC/minute
- Temperature range: -25°C~+85°C
- Insulation resistance: ≥1000MΩ
- Contact resistance: ≤10mΩ
- After environmental testing: ≤20mΩ

X9357 H M - 2*XX B -N2 XX

- ① Series No.
- ② Category: H-HSG
- ③ Welding Board Angle: M-Male HGS
- ④ Row No.-Pin No.: 2*XX-Double row
- ⑤ Plug the Pin & special No.B-With the back seat
- ⑥ Material: N2-PA66 94V-2
- ⑦ Color: Blank-natural color



| Poles | Dimensions (mm) | | | | |
|-------|-----------------|--------|-------|-------|-------|
| | A | B | C | D | E |
| 4 | 4.20 | 40.20 | 29.20 | 17.60 | 12.90 |
| 6 | 8.40 | 44.40 | 33.40 | 21.80 | 17.10 |
| 8 | 12.60 | 48.60 | 37.60 | 26.00 | 21.30 |
| 10 | 16.80 | 52.80 | 41.80 | 30.20 | 25.50 |
| 12 | 21.00 | 57.00 | 46.00 | 34.40 | 29.70 |
| 14 | 25.20 | 61.20 | 50.20 | 38.60 | 33.90 |
| 16 | 29.40 | 65.40 | 54.40 | 42.80 | 38.10 |
| 18 | 33.60 | 69.60 | 58.60 | 47.00 | 42.30 |
| 20 | 37.80 | 73.80 | 62.80 | 51.20 | 46.50 |
| 22 | 42.00 | 78.00 | 67.00 | 55.40 | 50.70 |
| 24 | 46.20 | 82.20 | 71.20 | 59.60 | 54.90 |
| 36 | 71.40 | 107.40 | 96.40 | 81.50 | 76.78 |

| | | | |
|------------------|----------------|-----------------------|-----------------------|
| X9357HM-2*XXB-N2 | Nylon 66 94V-2 | X9357TF | X9357HF-B |
| PART NO | Material | Suitable XKB Terminal | Suitable XKB Terminal |

For and on behalf of
XKB INDUSTRIAL PRECISION CO., LIMITED
 香港星坤工業精密有限公司

| | | | | | | |
|-----------|-------------|------|---------|----------|------------------------|------|
| △ X | | | | | ANGULAR | ±5° |
| △ X | | | | | L ≤ 4 | ±0.2 |
| △ X | | | | | 4 < L ≤ 16 | ±0.3 |
| △ X | | | | | 16 < L ≤ 63 | ±0.4 |
| MARK | DESCRIPTION | DATE | REVISED | APPROVED | L > 63 | ±0.5 |
| REVISIONS | | | | | UNSPECIFIED TOLERANCES | |

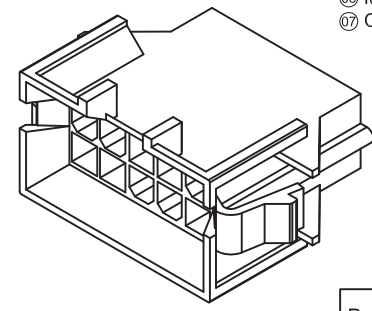
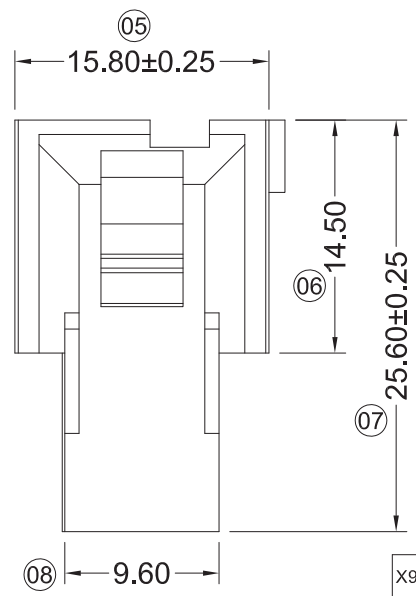
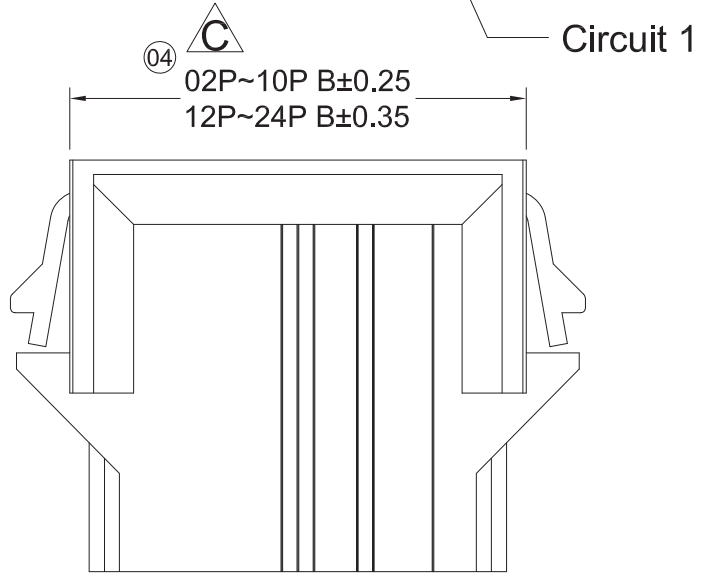
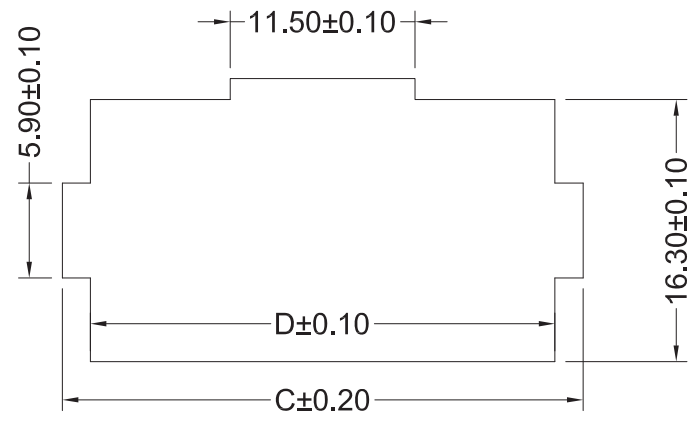
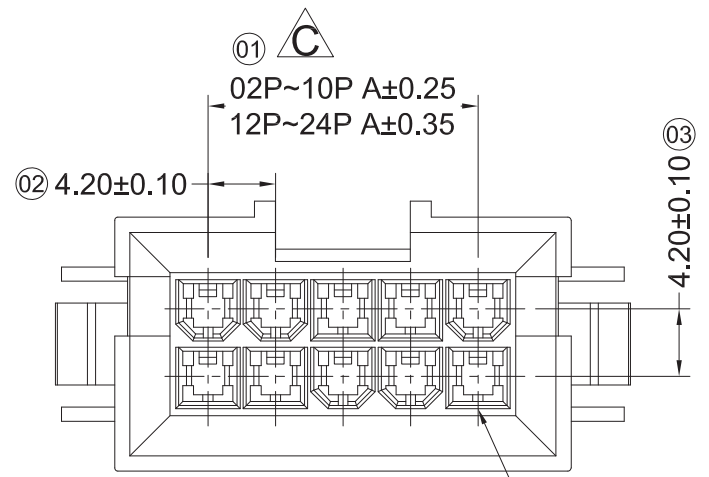
| | | | |
|---------------------------------------|------|------------|---------------------------------|
| DSND | DATE | SCALE: N/A | MODEL TYPE: X9357HM-2*XXB-N2 |
| DWN | DATE | VIEW: | PART NO.: |
| CHKD | DATE | UNIT: mm | 4.20mm Crimp Style Connectors |
| APPD | DATE | SIZE: A4 | DWG NO.: |
| XKB INDUSTRIAL PRECISION CO., LIMITED | | | WEIGHT 1.0g |
| | | | SHEET 1/1 |
| | | | REVISION A0 |

1 2 3 4 5 6 7 8

- Specifications :
- Voltage rating: 600V AC / DC
 - Current rating: 9A AC / DC
 - Withstanding voltage: 1500V AC/minute
 - Temperature range: -25°C~+85°C
 - Insulation resistance: ≥1000MΩ
 - Contact resistance: ≤10mΩ
 - After environmental testing: ≤20mΩ

X9357 H F - 2*XX B - N2 XX

- ① Series No.
 ② Category: H-HSG
 ③ Welding Board Angle:
 Blank-ordinary F-Female HGS
 ④ Row No.-Pin No.: 2*XX-Double row
 ⑤ Plug the Pin & special No.: B-With a trough
 ⑥ Material: N2-PA66 94V-2
 ⑦ Color: Blank-natural color



| Poles | Dimensions (mm) | | | |
|-------|-----------------|-------|-------|-------|
| | A | B | C | D |
| 04 | 4.20 | 15.80 | 19.80 | 16.30 |
| 06 | 8.40 | 20.00 | 24.00 | 20.50 |
| 08 | 12.60 | 24.20 | 28.20 | 24.70 |
| 10 | 16.80 | 28.40 | 32.40 | 28.90 |
| 14 | 25.20 | 36.80 | 40.80 | 37.30 |
| 18 | 33.60 | 45.20 | 49.20 | 45.70 |
| 20 | 37.80 | 49.40 | 53.40 | 49.90 |
| 22 | 46.20 | 57.80 | 61.80 | 58.30 |

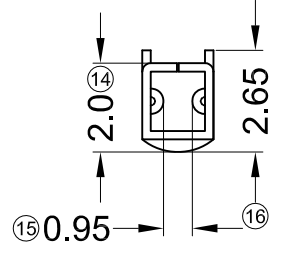
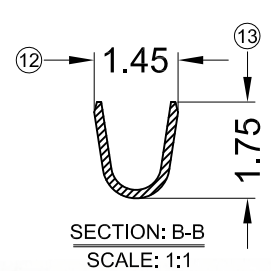
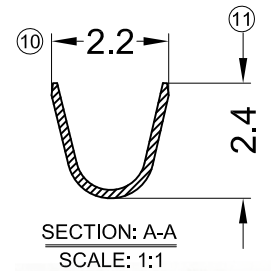
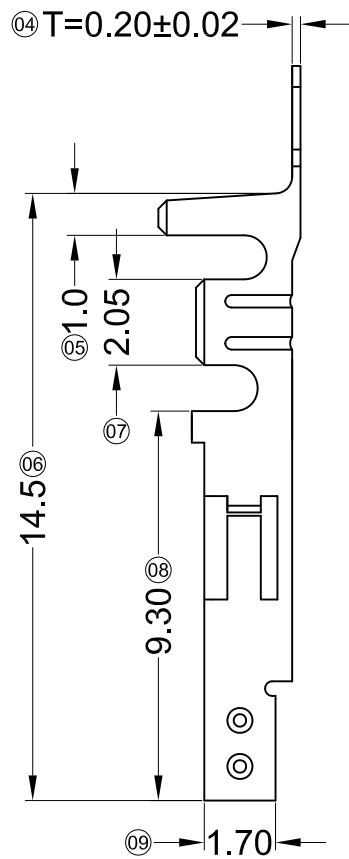
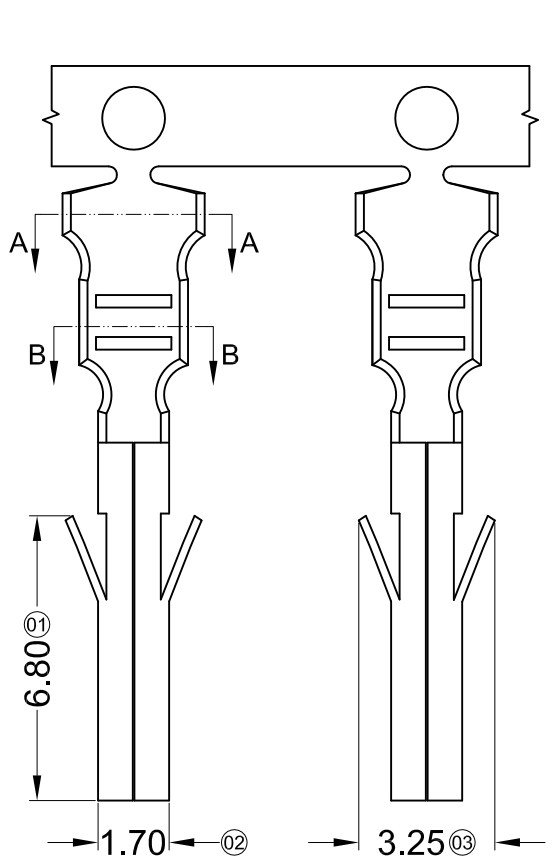
| | | | |
|------------------|-------------------|-----------------------|-----------------------|
| X9357HF-2*XXB-N2 | Nylon 66 UL 94V-2 | 9357TM | X9357HM-B、9357WR-B |
| PART NO | Material | Suitable XKB Terminal | Suitable XKB Terminal |

For and on behalf of
XKB INDUSTRIAL PRECISION CO., LIMITED
 香港星坤工業精密有限公司

| | | | | | | |
|-----------|-------------|------|---------|----------|-------------|------------------------|
| △ X | | | | | ANGULAR | ±5° |
| △ X | | | | | L ≤ 4 | ±0.2 |
| △ X | | | | | 4 < L ≤ 16 | ±0.3 |
| △ X | | | | | 16 < L ≤ 63 | ±0.4 |
| MARK | DESCRIPTION | DATE | REVISED | APPROVED | L > 63 | ±0.5 |
| REVISIONS | | | | | | UNSPECIFIED TOLERANCES |

| | | | | | | |
|---------------------------------------|--|------|--|------------|---------------------------------|----------|
| DSND | | DATE | | SCALE: N/A | MODEL TYPE: X9357HF-2*XXB-N2 | |
| DWN | | DATE | | VIEW: | PART NO.: | |
| CHKD | | DATE | | UNIT: mm | 4.20mm Crimp Style Connectors | |
| APPD | | DATE | | SIZE: A4 | DWG NO.: | |
| XKB INDUSTRIAL PRECISION CO., LIMITED | | | | WEIGHT | SHEET | REVISION |
| | | | | 1.0g | 1/1 | A0 |

1 2 3 4 5 6 7 8



Specifications :

- Voltage rating: 600V AC / DC
- Current rating: 9A AC / DC
- Withstanding voltage: 1500V AC/minute
- Temperature range: -25°C~+85°C
- Insulation resistance: ≥1000MΩ
- Contact resistance: ≤10mΩ
- After environmental testing: ≤20mΩ

X9357 T F-X SN X-M

① ② ③ ④ ⑤ ⑥ ⑦

- ① Series Number
- ② Category: T-terminal
- ③ Shape: F-Female
- ④ Material: B-Brass; P-Phosphor Bronze
- ⑤ Plating style: SN-Bright tin plating
- ⑥ Plating method: Blank-Stamping before plating;
- ⑦ Special No: M-Low Leads

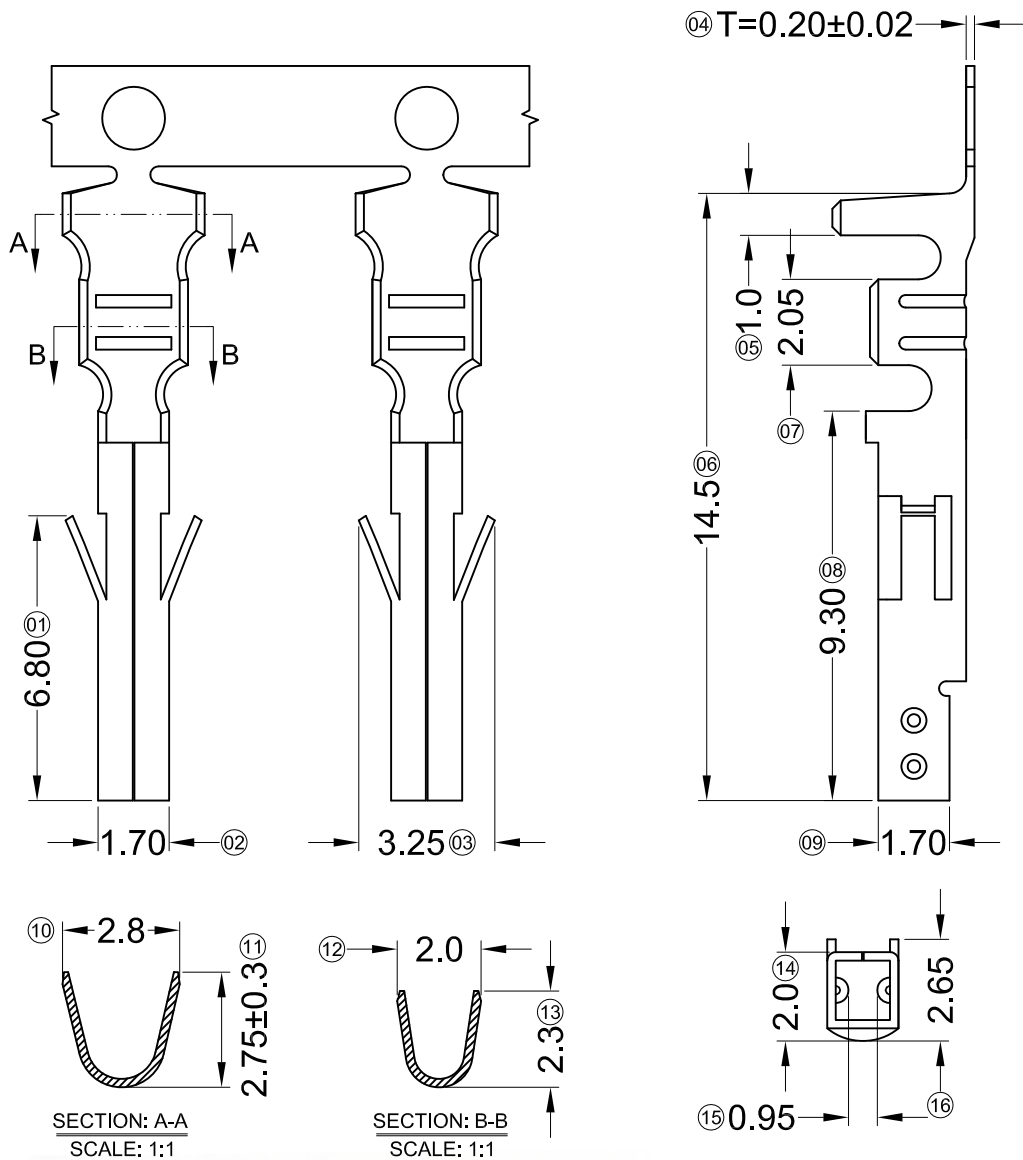
| | | | | | |
|---------------|-----------------|------------|-----------------|---|--------------|
| X9357TF-PSN-M | Phosphor Bronze | AWG#24-28 | 1.90mm(Max) | Stamping Before Plating :30u" MIN, Ni:70u"Sn MIN. | X9357HM |
| X9357TF-BSN-M | Brass | | | | |
| PART NO | Material | Wire Range | Insulation O.D. | Finish | Suitable XKB |

For and on behalf of
XKB INDUSTRIAL PRECISION CO., LIMITED
 香港星坤工業精密有限公司

| | | | | | | |
|------|-------------|------|---------|----------|------------------------|-------|
| △ X | | | | | ANGULAR | ± 5° |
| △ X | | | | | L ≤ 4 | ± 0.2 |
| △ X | | | | | 4 < L ≤ 16 | ± 0.3 |
| MARK | DESCRIPTION | DATE | REVISED | APPROVED | 16 < L ≤ 63 | ± 0.4 |
| | | | | | L > 63 | ± 0.5 |
| | REVISIONS | | | | UNSPECIFIED TOLERANCES | |

| | | | | | | | |
|------|--|------|--|------------|--------------------------------|-------|----------|
| DSND | | DATE | | SCALE: N/A | MODEL TYPE: X9357TF-XSN-M | | |
| DWN | | DATE | | VIEW: | PART NO.: | | |
| CHKD | | DATE | | UNIT: mm | 4.20 mm Crimp Style Connectors | | |
| APPD | | DATE | | SIZE: A4 | DWG NO.: | | |
| | | | | | WEIGHT | SHEET | REVISION |
| | | | | | 1.0g | 1/1 | A0 |

XKB INDUSTRIAL PRECISION CO., LIMITED



Specifications :

- Voltage rating: 600V AC / DC
- Current rating: 9A AC / DC
- Withstanding voltage: 1500V AC/minute
- Temperature range: -25°C~+85°C
- Insulation resistance: $\geq 1000M\Omega$
- Contact resistance: $\leq 10m\Omega$
- After environmental testing: $\leq 20m\Omega$

X9357 T F-X SN X-L

① ② ③ ④ ⑤ ⑥ ⑦

- ① Series Number
- ② Category: T-terminal
- ③ Shape: F-Female
- ④ Material: B-Brass; P-Phosphor Bronze
- ⑤ Plating style: SN-Bright tin plating
- ⑥ Plating method: Blank-Stamping before plating;
- ⑦ Special No: L-Normal Leads

| | | | | | |
|---------------|-----------------|------------|-----------------|---|--------------|
| X9357TF-PSN-L | Phosphor Bronze | AWG#18-24 | 2.10mm(Max) | Stamping Before Plating :30u" MIN, Ni:70u"Sn MIN. | X9357HM |
| X9357TF-BSN-L | Brass | | | | |
| PART NO | Material | Wire Range | Insulation O.D. | Finish | Suitable XKB |

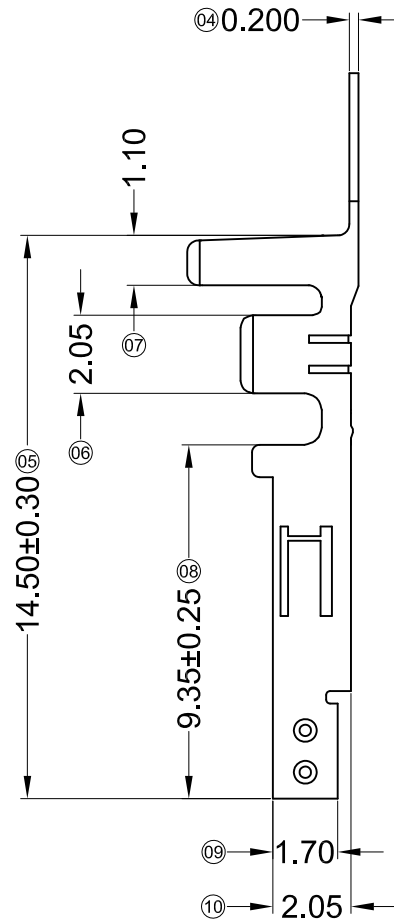
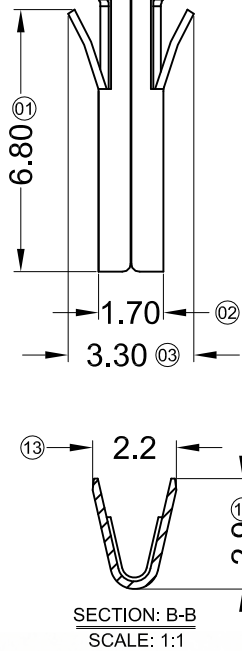
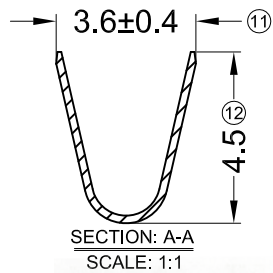
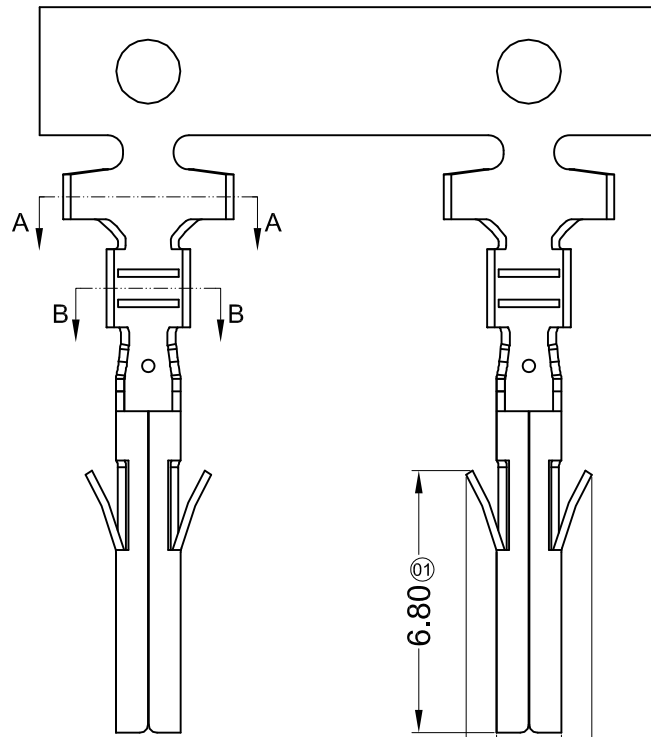
For and on behalf of
XKB INDUSTRIAL PRECISION CO., LIMITED
香港星坤工業精密有限公司

| | | | | | | |
|------|-------------|------|---------|----------|------------------------|---------------|
| △ X | | | | | ANGULAR | $\pm 5^\circ$ |
| △ X | | | | | $L \leq 4$ | ± 0.2 |
| △ X | | | | | $4 < L \leq 16$ | ± 0.3 |
| MARK | DESCRIPTION | DATE | REVISED | APPROVED | $16 < L \leq 63$ | ± 0.4 |
| | | | | | $L > 63$ | ± 0.5 |
| | | | | | UNSPECIFIED TOLERANCES | |

| | | | | | | | |
|------|--|------|--|------------|--------------------------------|-------|----------|
| DSND | | DATE | | SCALE: N/A | MODEL TYPE: X9357TF-XSN-L | | |
| DWN | | DATE | | VIEW: | PART NO.: | | |
| CHKD | | DATE | | UNIT: mm | 4.20 mm Crimp Style Connectors | | |
| APPD | | DATE | | SIZE: A4 | DWG NO.: | | |
| | | | | | WEIGHT | SHEET | REVISION |
| | | | | | 1.0g | 1/1 | A0 |

XKB INDUSTRIAL PRECISION CO., LIMITED

REVISIONS
 Authorized Signature(s)



■ Specifications :

- Voltage rating: 600V AC / DC
- Current rating: 9A AC / DC
- Withstanding voltage: 1500V AC/minute
- Temperature range: -25°C~+85°C
- Insulation resistance: ≥1000MΩ
- Contact resistance: ≤10mΩ
- After environmental testing: ≤20mΩ

X9357 T F-X SN X-H

① ② ③ ④ ⑤ ⑥ ⑦

- ① Series Number
- ② Category: T-terminal
- ③ Shape: F-Female
- ④ Material: B-Brass; P-Phosphor Bronze
- ⑤ Plating style: SN-Bright tin plating
- ⑥ Plating method:
Blank-Stamping before plating;
- ⑦ Special No: H-High Leads

| | | | | | |
|---------------|-----------------|------------|-----------------|---|--------------|
| X9357TF-PSN-H | Phosphor Bronze | AWG#16-24 | 3.10mm(Max) | Stamping Before Plating :30u" MIN. Ni;70u"Sn MIN. | X9357HM |
| X9357TF-BSN-H | Brass | | | | |
| PART NO | Material | Wire Range | Insulation O.D. | Finish | Suitable XKB |

For and on behalf of
XKB INDUSTRIAL PRECISION CO., LIMITED
香港星坤工業精密有限公司

| | | | | | | |
|------|-------------|------|---------|----------|-------------|------|
| △ X | | | | | ANGULAR | ±5° |
| △ X | | | | | L ≤ 4 | ±0.2 |
| △ X | | | | | 4 < L ≤ 16 | ±0.3 |
| △ X | | | | | 16 < L ≤ 63 | ±0.4 |
| MARK | DESCRIPTION | DATE | REVISED | APPROVED | L > 63 | ±0.5 |

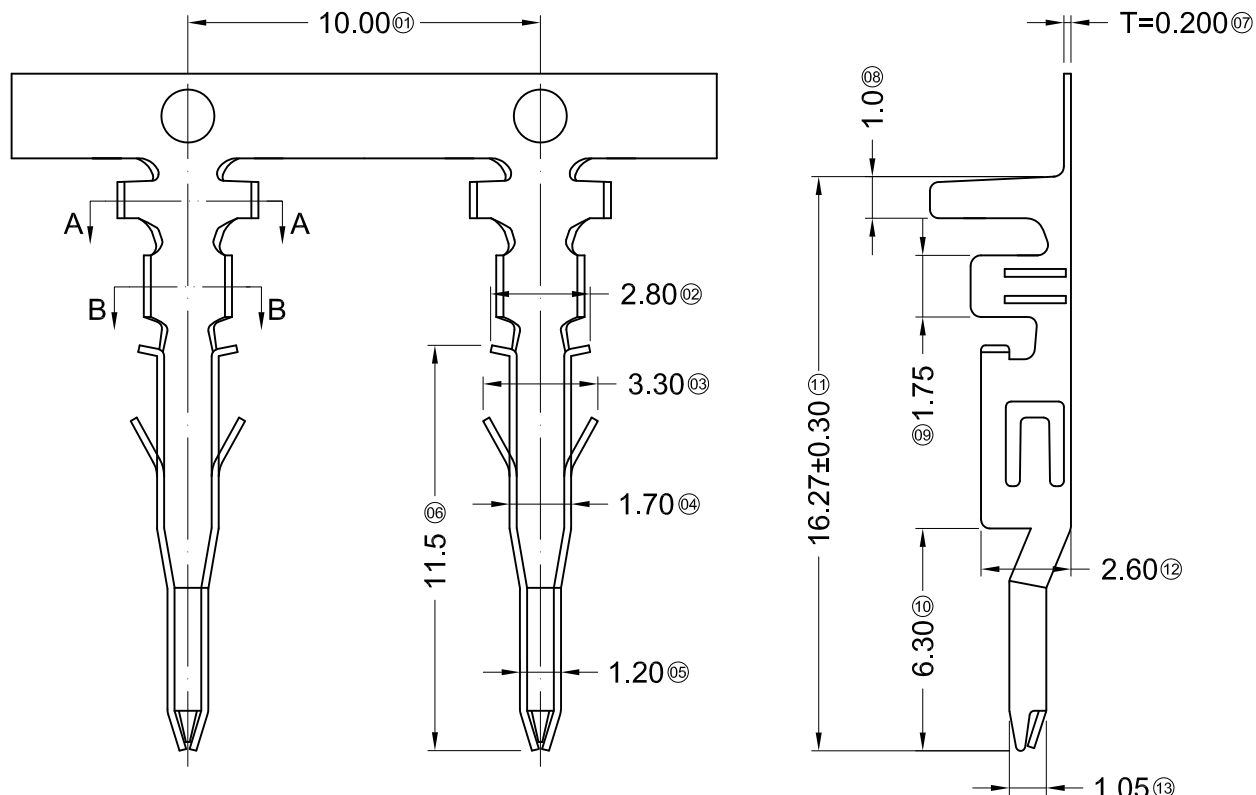
REVISIONS
 Authorized Signature(s)

| | | | | | |
|------|--|------|--|------------|--------------------------------|
| DSND | | DATE | | SCALE: N/A | MODEL TYPE: X9357TF-XSN-H |
| DWN | | DATE | | VIEW: | PART NO.: |
| CHKD | | DATE | | UNIT: mm | 4.20 mm Crimp Style Connectors |
| APPD | | DATE | | SIZE: A4 | DWG NO.: |

XKB INDUSTRIAL PRECISION CO., LIMITED

| | | |
|--------|-------|----------|
| WEIGHT | SHEET | REVISION |
| 1.0g | 1/1 | A0 |

1 2 3 4 5 6 7 8



■ Specifications :

- Voltage rating: 600V AC / DC
- Current rating: 9A AC / DC
- Withstanding voltage: 1500V AC/minute
- Temperature range: -25°C~+85°C
- Insulation resistance: ≥1000MΩ
- Contact resistance: ≤10mΩ
- After environmental testing: ≤20mΩ

X9357 T M-X SN X-X

① ② ③ ④ ⑤ ⑥ ⑦

- ① Series No.
- ② Category: T-Terminal
- ③ Appearance type: M-Male Terminal
- ④ Material: B-Brass; P-Phosphor Bronze
- ⑤ Plating Style: SN-Bright Tin Plating
- ⑥ Plating Method :
Blank-Stamping before Plating
- ⑦ Mold N0/MARK&Special N0

SECTION: A-A
SCALE: 1:1

SECTION: B-B
SCALE: 1:1

| | | | | | |
|-------------|-----------------|------------|-----------------|--|--------------|
| X9357TM-PSN | Phosphor Bronze | AWG#18-22 | 3.00mm(Max) | Stamping Before Plating:30u" Ni;70u"Sn | x9357HF |
| X9357TM-BSN | Brass | | | | |
| PART NO | Material | Wire Range | Insulation O.D. | Finish | Suitable XKB |

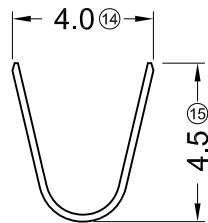
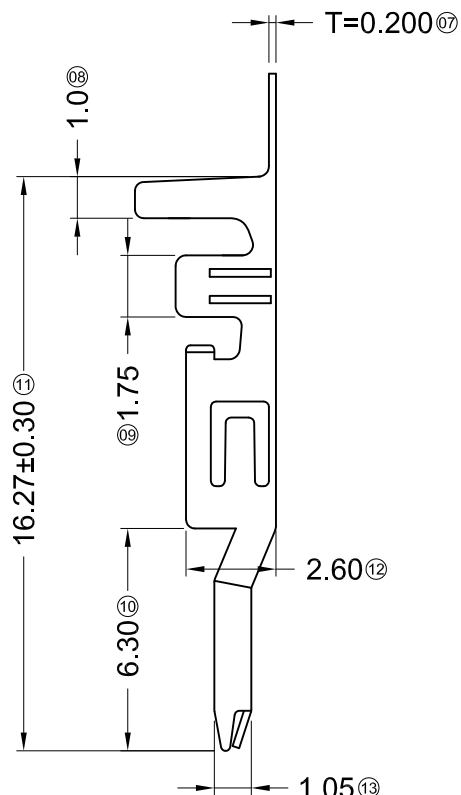
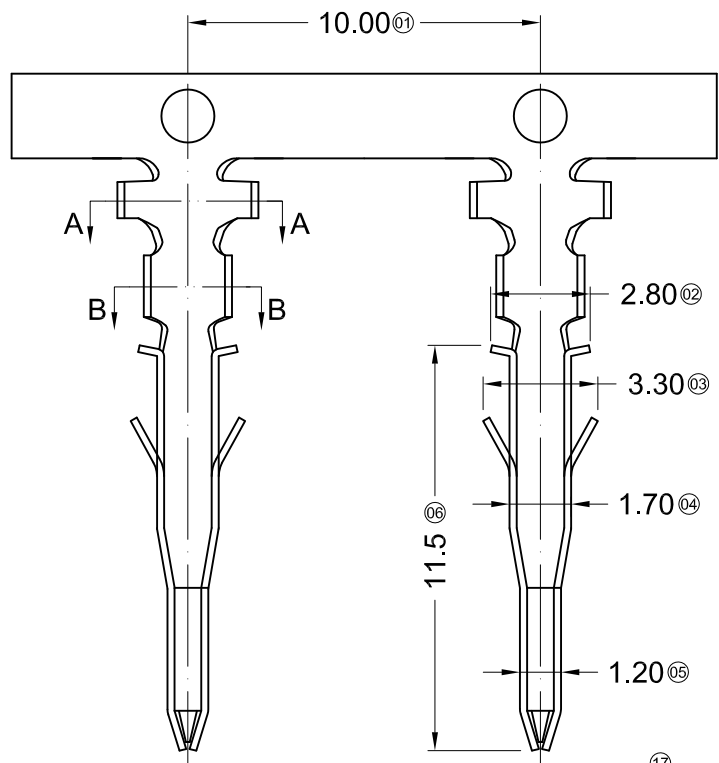
For and on behalf of
XKB INDUSTRIAL PRECISION CO., LIMITED
香港星坤工業精密有限公司

| | | | | | | | | | | | | | |
|------|--|-------------|------|---------|-------------|------------------------|--|--|------|--|------------|--------------------------------|----------|
| △ X | | | | | ANGULAR | ±5° | DSND | | DATE | | SCALE: N/A | MODEL TYPE: X9357TM-XSN | |
| △ X | | | | | L ≤ 4 | ±0.2 | DWN | | DATE | | VIEW: | PART NO.: | |
| △ X | | | | | 4 < L ≤ 16 | ±0.3 | CHKD | | DATE | | UNIT: mm | 4.20 mm Crimp Style Connectors | |
| △ X | | | | | 16 < L ≤ 63 | ±0.4 | APPD | | DATE | | SIZE: A4 | DWG NO.: | |
| MARK | | DESCRIPTION | DATE | REVISED | APPROVED | L > 63 | | | | | | | |
| | | | | | | UNSPECIFIED TOLERANCES | XKB INDUSTRIAL PRECISION CO., LIMITED | | | | WEIGHT | SHEET | REVISION |
| | | | | | | | | | | | 1.0g | 1/1 | A0 |

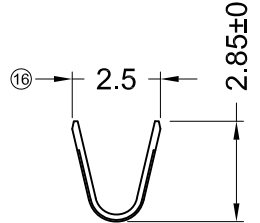
REVISIONS
Authorized Signature(s)

1 2 3 4 5 6 7 8

1 2 3 4 5 6 7 8



SECTION: A-A
SCALE: 1:1



SECTION: B-B
SCALE: 1:1

■ Specifications :

- Voltage rating: 600V AC / DC
- Current rating: 9A AC / DC
- Withstanding voltage: 1500V AC/minute
- Temperature range: -25°C~+85°C
- Insulation resistance: ≥1000MΩ
- Contact resistance: ≤10mΩ
- After environmental testing: ≤20mΩ

X9357 T M-B SN X-H

① ② ③ ④ ⑤ ⑥ ⑦

- ① Series No.
- ② Category: T-Terminal
- ③ Appearance type: M-Male Terminal
- ④ Material: B-Brass
- ⑤ Plating Style: SN-Bright Tin Plating
- ⑥ Plating Method :
Blank-Stamping before Plating
- ⑦ H-High Crimp

| | | | | | |
|---------------|----------|------------|-----------------|--|--------------|
| X9357TM-BSN-H | Brass | AWG#16-22 | 3.10mm(Max) | Stamping Before Plating:30u" Ni;70u"Sn | x9357HF |
| PART NO | Material | Wire Range | Insulation O.D. | Finish | Suitable XKB |

For and on behalf of
XKB INDUSTRIAL PRECISION CO., LIMITED
香港星坤工業精密有限公司

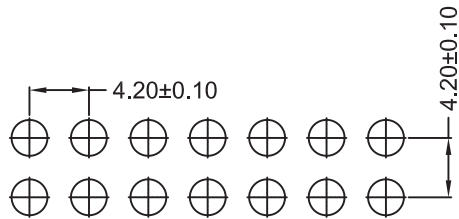
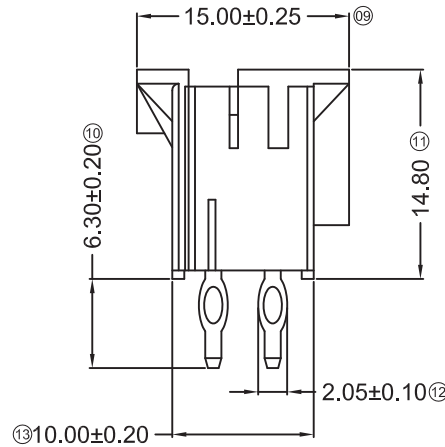
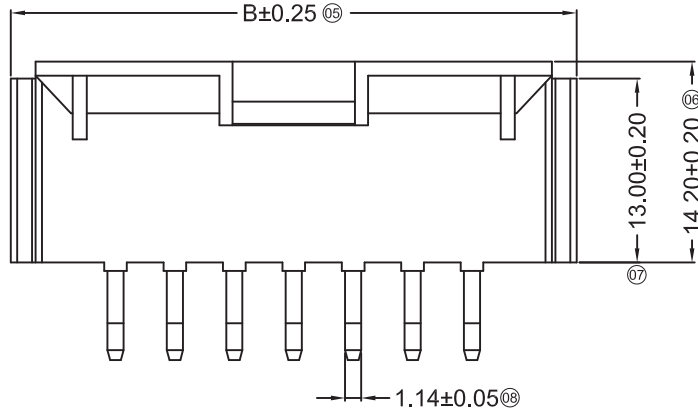
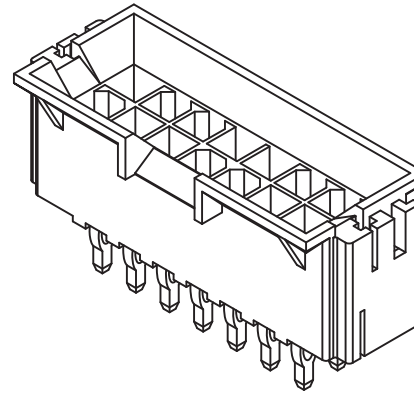
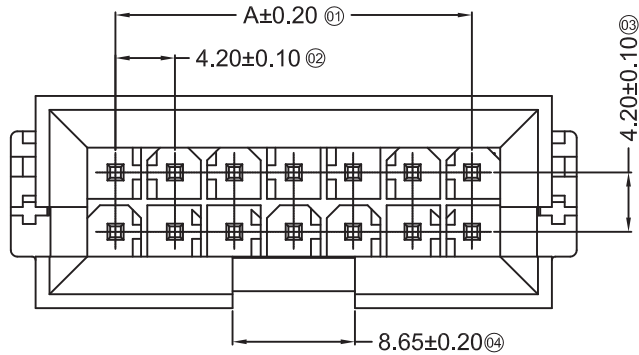
| | | | | | | | |
|------|-------------|------|---------|----------|--|------------------------|------|
| △ X | | | | | | ANGULAR | ±5° |
| △ X | | | | | | L ≤ 4 | ±0.2 |
| △ X | | | | | | 4 < L ≤ 16 | ±0.3 |
| MARK | DESCRIPTION | DATE | REVISED | APPROVED | | 16 < L ≤ 63 | ±0.4 |
| | | | | | | L > 63 | ±0.5 |
| | | | | | | UNSPECIFIED TOLERANCES | |

| | | | | | | | |
|------|--|------|--|------------|-------------------------------|-------|----------|
| DSND | | DATE | | SCALE: N/A | MODEL TYPE: X9357TM-BSN-H | | |
| DWN | | DATE | | VIEW: | PART NO.: | | |
| CHKD | | DATE | | UNIT: mm | 4.20 mm Crimp Style Connector | | |
| APPD | | DATE | | SIZE: A4 | DWG NO.: | | |
| | | | | | WEIGHT | SHEET | REVISION |
| | | | | | 1.0g | 1/1 | A0 |

XKB INDUSTRIAL PRECISION CO., LIMITED

Authorized Signature(s)

1 2 3 4 5 6 7 8



Specifications :

- Voltage rating: 600V AC / DC
- Current rating: 9A AC / DC
- Withstanding voltage: 1500V AC/minute
- Temperature range: -25°C~+85°C
- Insulation resistance: ≥1000MΩ
- Contact resistance: ≤10mΩ
- After environmental testing: ≤20mΩ

X9357 W V X-2*XX B-XX SN XX

(1) (2) (3) (4) (5) (6) (7) (8) (9)

- (1) Series No.
- (2) Category: W-wafer
- (3) Welding Board Angle: V-180°
- (4) Welding Way: Blank-DIP ;
- (5) Row No.-Pin No.: 2*XX-Double row
- (6) Special NO.
- B-Arrange ushering with positioning column
- (7) Material: N0-PA66 94V-0 ; N2-PA66 94V-2
- (8) Planting Category:
- V:All Gold-Plated ; G:Gold-Plated Contact
- S-Silver Plating ; *01-Gold Flash ; *02-2u" ; *03-3u" ; *05-5u" ; *10-10u" ; *15-15u" ; *30-30u" ; *50-50u"
- N-Plating Nickel 30u" ; SN-Bright tin plating 70u"
- SW-Fog Tin plating
- (9) Color: Blank-natural color

| Poles | Dimensions (mm) | |
|-------|-----------------|-------|
| | A | B |
| 2x07 | 25.20 | 40.00 |
| 2x09 | 33.60 | 48.40 |
| 2x12 | 46.20 | 61.00 |

| | | | | |
|--------------------|-------------------|-----------------|-------------|-----------------------|
| X9357WV-2*XXB-N0SN | Nylon 66 UL 94V-0 | Phorphos Bronze | Tin-Plated | X9357HM-B |
| X9357WV-2*XXB-N2SN | Nylon 66 UL 94V-2 | Phorphos Bronze | Tin-Plated | X9357HM-B |
| PART NO | Material | Material(Pin) | Finish(Pin) | Suitable XKB Terminal |

For and on behalf of
XKB INDUSTRIAL PRECISION CO., LIMITED
 香港星坤工業精密有限公司

| MARK | DESCRIPTION | DATE | REVISED | APPROVED | UNSPECIFIED TOLERANCES | DSND | DATE | SCALE: N/A | MODEL TYPE: X9357WV-2*XXB-XXSN |
|------|-------------|------|---------|----------|------------------------|------|------|------------|-----------------------------------|
| △ X | | | | | ANGULAR ±5° | DWN | DATE | VIEW: | PART NO.: |
| △ X | | | | | L ≤ 4 ±0.2 | CHKD | DATE | UNIT: mm | 4.20mm Crimp Style Connectors |
| △ X | | | | | 4 < L ≤ 16 ±0.3 | APPD | DATE | SIZE: A4 | DWG NO.: |
| | | | | | 16 < L ≤ 63 ±0.4 | | | | |
| | | | | | L > 63 ±0.5 | | | | |
| | | | | | | | | | WEIGHT |
| | | | | | | | | | 1.0g |
| | | | | | | | | | SHEET |
| | | | | | | | | | 1/1 |
| | | | | | | | | | REVISION |
| | | | | | | | | | A0 |

REVISIONS
 Authorized Signature(s)

XKB INDUSTRIAL PRECISION CO., LIMITED

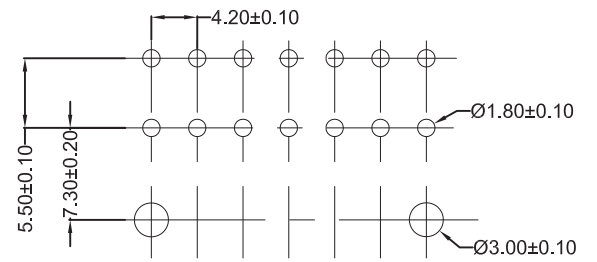
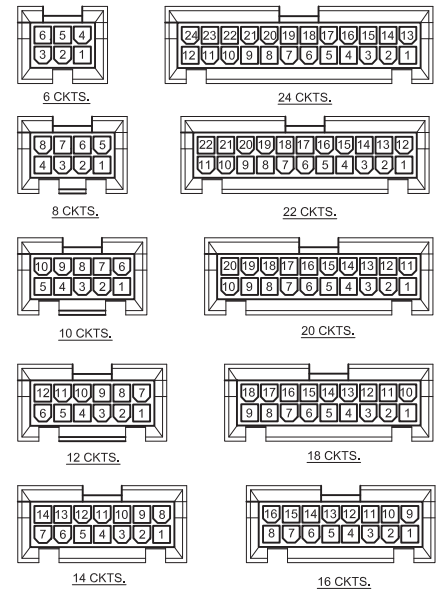
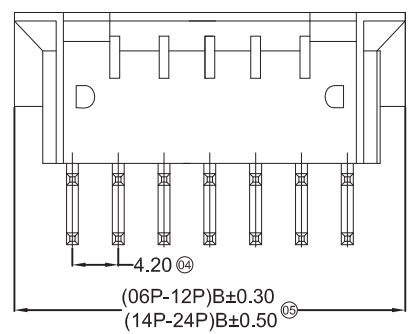
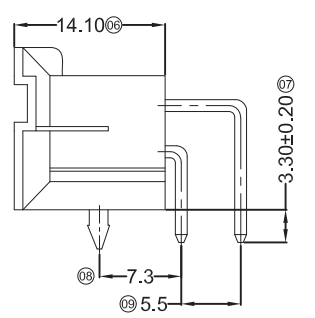
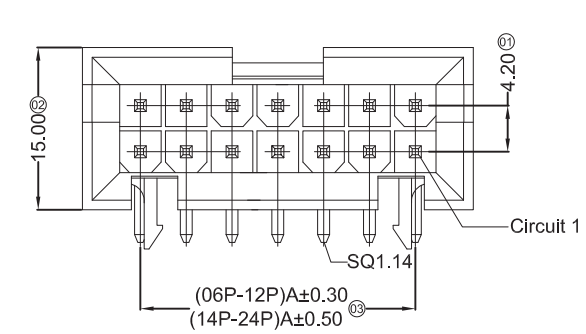
Specifications :

- Voltage rating: 600V AC / DC
- Current rating: 9A AC / DC
- Withstanding voltage: 1500V AC/minute
- Temperature range: -25°C~+85°C
- Insulation resistance: ≥1000MΩ
- Contact resistance: ≤10mΩ
- After environmental testing: ≤20mΩ

X9357 W R X-2*XX B-XX SN XX
 ① ② ③ ④ ⑤ ⑥ ⑦ ⑧ ⑨

- ① Series No.
- ② Category: W-wafer
- ③ Welding Board Angle: R- Right Angle 90°
- ④ Welding Way: Blank-DIP
- ⑤ Row No.-Pin No.: 2*XX-2*03P~2*12P
- ⑥ Plug the Pin & Special No.:
 B-Arrange ushering with positioning column
- ⑦ Material: N0-PA66 94V-0 ;N2-PA66 94V-2
- ⑧ Plating Category: SN-Bright tin plating ;
- ⑨ Color: Blank-natural color

| Poles | Dimensions(mm) | |
|-------|----------------|-------|
| | A | B |
| 2*03 | 8.40 | 19.20 |
| 2*04 | 12.60 | 23.40 |
| 2*05 | 16.80 | 27.60 |
| 2*06 | 21.00 | 31.80 |
| 2*07 | 25.20 | 36.00 |
| 2*08 | 29.40 | 40.20 |
| 2*09 | 33.60 | 44.40 |
| 2*10 | 37.80 | 48.60 |
| 2*11 | 42.00 | 52.80 |
| 2*12 | 46.20 | 57.00 |



P.C.B LAYOUT

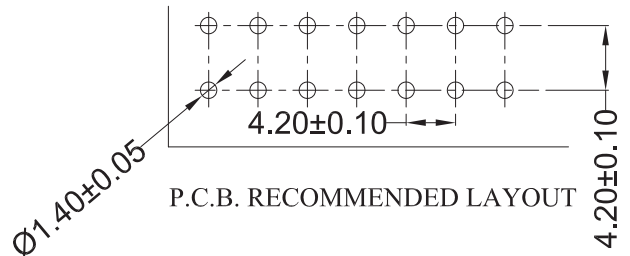
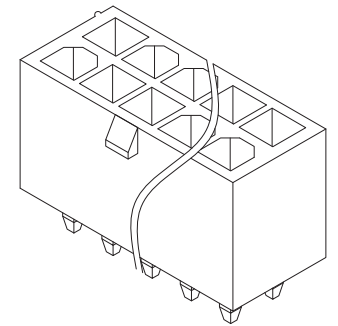
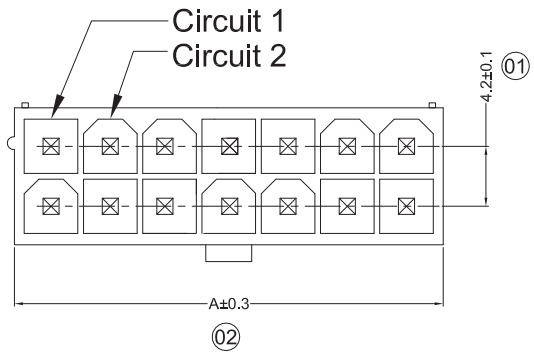
KEY HOLD CIRCUIT SIZE LAYOUT

| | | | | |
|--------------------|-------------------|---------------|-------------|-----------------------|
| X9357WR-2*XXB-N0SN | Nylon 66 UL 94V-0 | Brass | Tin-Plated | X9357HM-B |
| X9357WR-2*XXB-N2SN | Nylon 66 UL 94V-2 | | | |
| PART NO | Material | Material(Pin) | Finish(Pin) | Suitable XKB Terminal |

For and on behalf of
XKB INDUSTRIAL PRECISION CO., LIMITED
 香港星坤工業精密有限公司

| | | | | | | | | | | | | | | |
|------|-------------|------|---------|----------|--|------------------------|------|--|--|------|--|------------|-----------------------------------|----------|
| △ X | | | | | | ANGULAR | ±5° | DSND | | DATE | | SCALE: N/A | MODEL TYPE: X9357WR-2*XXB-XXSN | |
| △ X | | | | | | L ≤ 4 | ±0.2 | DWN | | DATE | | VIEW: | PART NO.: | |
| △ X | | | | | | 4 < L ≤ 16 | ±0.3 | CHKD | | DATE | | UNIT: mm | 4.20mm Crimp Style Connectors | |
| MARK | DESCRIPTION | DATE | REVISED | APPROVED | | 16 < L ≤ 63 | ±0.4 | APPD | | DATE | | SIZE: A4 | DWG NO.: | |
| | | | | | | L > 63 | ±0.5 | | | | | | | |
| | | | | | | UNSPECIFIED TOLERANCES | | XKB INDUSTRIAL PRECISION CO., LIMITED | | | | WEIGHT | SHEET | REVISION |
| | | | | | | | | | | | | 1.0g | 1/1 | A0 |

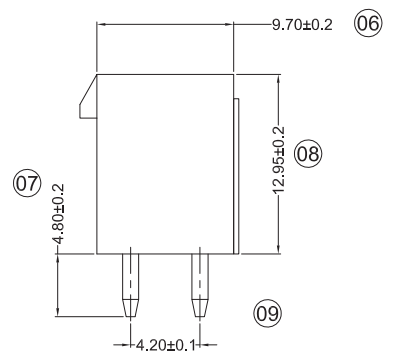
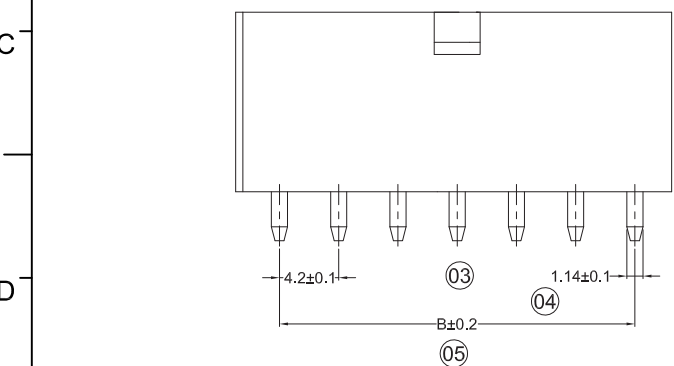
REVISIONS
 Authorized Signature(s)



P.C.B. RECOMMENDED LAYOUT

Specifications :

- Voltage rating: 600V AC / DC
- Current rating: 9A AC / DC
- Withstanding voltage: 1500V AC/minute
- Temperature range: -25°C~+85°C
- Insulation resistance: ≥100MΩ
- Contact resistance: ≤10mΩ
- After environmental testing: ≤20mΩ



X9357 W V X-2*XX S1- XX XX XX

- ① Series No.
- ② Category: W-wafer
- ③ Welding Board Angle: V-180°
- ④ Welding Way: Blank-DIP
- ⑤ Row No.-Pin No. 2*XX-Double row
- ⑥ Plug the Pin & Special NO. S1-DIP=4.80
- ⑦ Material: N0-PA66 94V-0 ; N2-PA66 94V-2
- ⑧ Planting Category: V:All Gold-Plated *01-Gold Flash SN-Bright tin plating 70u" SW-Fog Tin plating
- ⑨ Color: Blank-natural color

| Poles | Dimensions (m) | |
|-------|----------------|-------|
| | A | B |
| 2 | 5.60 | - |
| 4 | 9.80 | 4.2 |
| 6 | 14.00 | 8.40 |
| 8 | 18.20 | 12.60 |
| 10 | 22.40 | 16.80 |
| 12 | 26.60 | 21.00 |
| 14 | 30.80 | 25.20 |
| 16 | 35.00 | 29.40 |
| 18 | 39.20 | 33.60 |
| 20 | 43.40 | 37.80 |
| 22 | 47.60 | 42.00 |
| 24 | 51.80 | 46.20 |

| | | | | |
|----------------------|-------------------|--------------------------|------------|--------|
| X9357WV-2*XXS1-N0V01 | Nylon 66 UL 94V-0 | Brass Or Phosphor Bronze | Gold-Flash | X9357H |
| X9357WV-2*XXS1-N0SN | Nylon 66 UL 94V-0 | Brass Or Phosphor Bronze | Tin-Plated | |
| X9357WV-2*XXS1-N2V01 | Nylon 66 UL 94V-2 | Brass Or Phosphor Bronze | Gold-Flash | |
| X9357WV-2*XXS1-N2SN | Nylon 66 UL 94V-2 | Brass Or Phosphor Bronze | Tin-Plated | |

| | | | |
|--|-------------|--------------|-----------------------|
| PART NO | Material | Finish (Pin) | Suitable XKB Terminal |
| For and on behalf of XKB INDUSTRIAL PRECISION CO., LIMITED 香港星坤工業精密有限公司 | | | |
| △ X | DESCRIPTION | DATE | REVISED |
| △ X | | | |
| △ X | | | |
| MARK | | | |
| Authorized Signature(s) | | | |

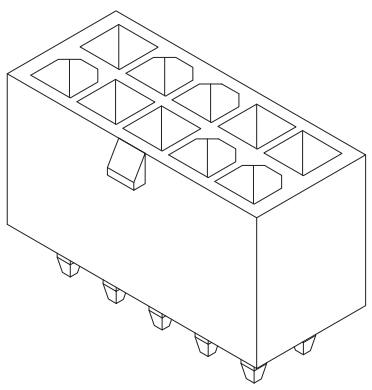
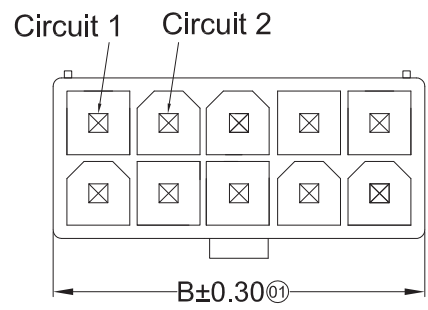
| | |
|------------------------|------|
| ANGULAR | ±5° |
| L ≤ 4 | ±0.2 |
| 4 < L ≤ 16 | ±0.3 |
| 16 < L ≤ 63 | ±0.4 |
| L > 63 | ±0.5 |
| UNSPECIFIED TOLERANCES | |

| | | |
|------|------|------------|
| DSND | DATE | SCALE: N/A |
| DWN | DATE | VIEW: |
| CHKD | DATE | UNIT: mm |
| APPD | DATE | SIZE: A4 |

| | | |
|--|-------|----------|
| MODEL TYPE: X9357WV-2*XXS1-XXXX | | |
| PART NO.: 4.20 mm Crimp Style Connectors | | |
| DWG NO.: | | |
| WEIGHT | SHEET | REVISION |
| 1.0g | 1/1 | A0 |

XKB INDUSTRIAL PRECISION CO., LIMITED

1 2 3 4 5 6 7 8

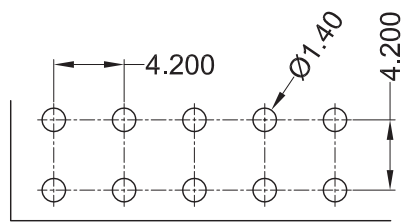
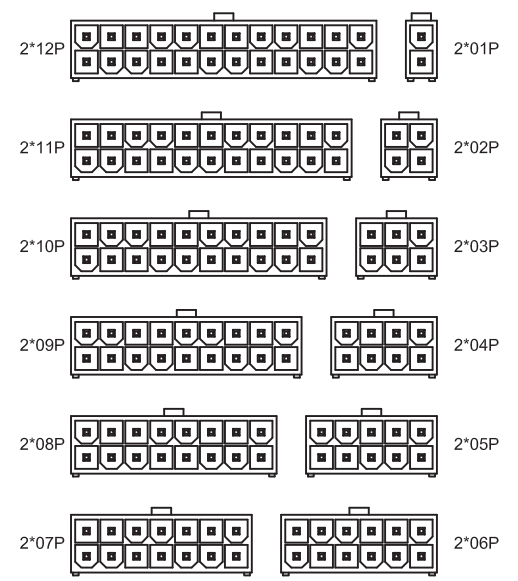
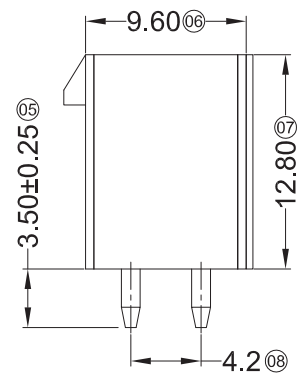
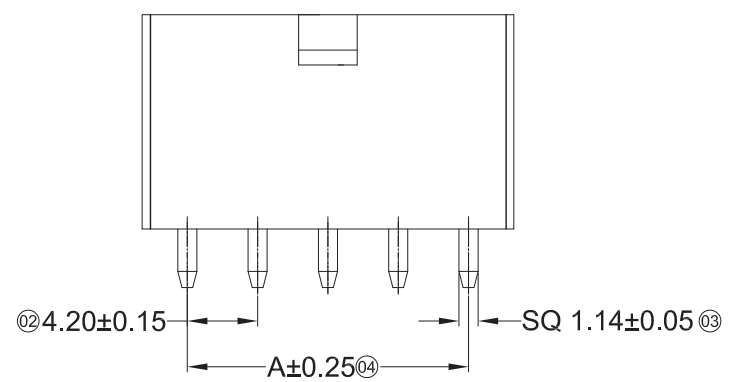


Specifications :

- Voltage rating: 600V AC / DC
- Current rating: 9A AC / DC
- Withstanding voltage: 1500V AC/minute
- Temperature range: -25°C~+85°C
- Insulation resistance: ≥100MΩ
- Contact resistance: ≤10mΩ
- After environmental testing: ≤20mΩ

X9357 W V X-2*XX D-XX XX XX
① ② ③ ④ ⑤ ⑥ ⑦ ⑧ ⑨

- ① Series No.
- ② Category: W-WAFER
- ③ Welding Board Angle: V- Stright 180° ;
- ④ Welding Way: Blank-DIP
- ⑤ Row No.-Pin No.: 2*XX-2*01P~2*12P
- ⑥ Plug the Pin & Special No.:
D-Without gluten; F-Halogen Free
- ⑦ Material: N2-PA66 94V-2
- ⑧ Plating Category: SN-Bright Tin Plating ;
V01-Gold Flash
- ⑨ Color : Blank-Natural Color; BK-Black;
GY-Gray; RE-Red



Recommended P.C.B Layout
General Tolerance±0.05

| Poles | Dimensions (mm) | | Poles | Dimensions (mm) | |
|-------|-----------------|-------|-------|-----------------|-------|
| | A | B | | A | B |
| 2*01 | -- | 5.40 | 2*07 | 25.20 | 30.60 |
| 2*02 | 4.20 | 9.60 | 2*08 | 29.40 | 34.80 |
| 2*03 | 8.40 | 13.80 | 2*09 | 33.60 | 39.00 |
| 2*04 | 12.60 | 18.00 | 2*10 | 37.80 | 43.20 |
| 2*05 | 16.80 | 22.20 | 2*11 | 42.00 | 47.40 |
| 2*06 | 21.00 | 26.40 | 2*12 | 46.20 | 51.60 |

| | | | | |
|-----------------------|----------------------------------|---------------|-------------|-----------------------|
| X9357WV-2*XXDF-N2SNXX | Nylon 66 UL 94V-2 (Halogen Free) | Brass | Tin-Plated | X9357H |
| X9357WV-2*XXD-N2V01XX | Nylon 66 UL 94V-2 | | Gold-Flash | |
| X9357WV-2*XXD-N2SNXX | Nylon 66 UL 94V-2 | | Tin-Plated | |
| PART N0 | Material | Material(Pin) | Finish(Pin) | Suitable XKB Terminal |

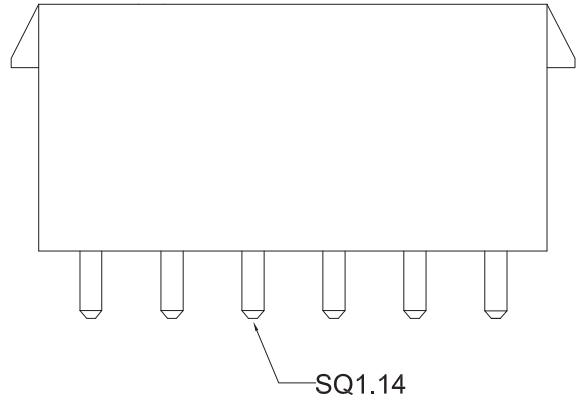
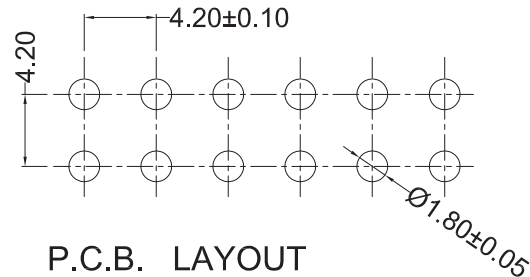
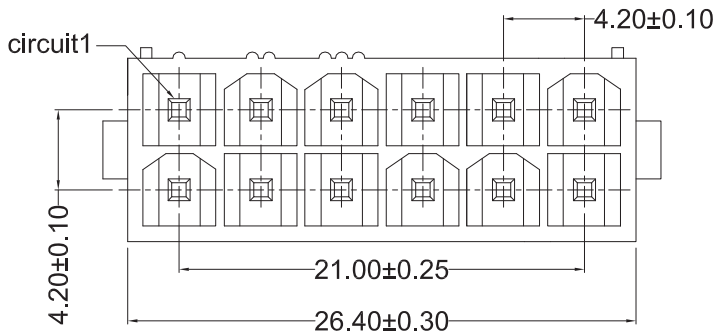
For and on behalf of
XKB INDUSTRIAL PRECISION CO., LIMITED
香港星坤工業精密有限公司

| | | | |
|------|------|------------|------------------------------------|
| DSND | DATE | SCALE: N/A | MODEL TYPE: X9357WV-2*XXDX-XXXX |
| DWN | DATE | VIEW: | PART NO.: |
| CHKD | DATE | UNIT: mm | 4.20 mm Crimp Style Connectors |
| APPD | DATE | SIZE: A4 | DWG NO.: |
| | | WEIGHT | SHEET |
| | | 1.0g | 1/1 |
| | | REVISION | A0 |

| | | | | | | |
|------|-------------|------|---------|----------|------------------------|------|
| △ X | | | | | ANGULAR | ±5° |
| △ X | | | | | L ≤ 4 | ±0.2 |
| △ X | | | | | 4 < L ≤ 16 | ±0.3 |
| MARK | DESCRIPTION | DATE | REVISED | APPROVED | 16 < L ≤ 63 | ±0.4 |
| | | | | | L > 63 | ±0.5 |
| | | | | | UNSPECIFIED TOLERANCES | |

Authorized Signature(s)

1 2 3 4 5 6 7 8



Specifications :

- Voltage rating: 600V AC / DC
- Current rating: 9A AC / DC
- Withstanding voltage: 1500V AC/minute
- Temperature range: -25°C~+85°C
- Insulation resistance: ≥1000MΩ
- Contact resistance: ≤10mΩ
- After environmental testing: ≤20mΩ

X9357 W V X-2*XXA-XX SN XX
 ① ② ③ ④ ⑤ ⑥ ⑦ ⑧ ⑨

- ① Series No.
- ② Category:
W-wafer
- ③ Welding Board Angle:
V-180°
- ④ Welding Way:
Blank-DIP ;
- ⑤ Row No.-Pin No.
2*XX-Double row
- ⑥ Special NO.
A-On both sides of hook
- ⑦ Material:
N0-PA66 94V-0 ; N2-PA66 94V-2
- ⑧ Planting Category:
V:All Gold-Plated
G:Gold-Plated Contact
*01-1u" ; *02-2u" ; *03-3u" ; *05-5u"
*10-10u" ; *15-15u" ; *30-30u" ; *50-50u"
N-Plating Nickel 30u" ; SN-Bright tin plating 70u"
SW-Fog Tin plating
- ⑨ Color:
Blank-natural color

| | | | | |
|--------------------|-------------------|---------------|-------------|-----------------------|
| X9357WV-2*06A-N2SN | Nylon 66 UL 94V-2 | Brass | Tin-Plated | X9357H |
| PART NO | Material | Material(Pin) | Finish(Pin) | Suitable XKB Terminal |

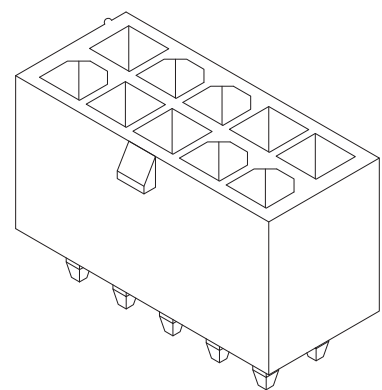
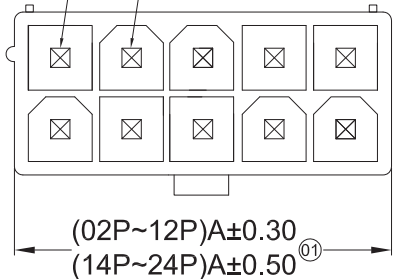
For and on behalf of
XKB INDUSTRIAL PRECISION CO., LIMITED
香港星坤工業精密有限公司

| | | | | | | | | | | | | | | |
|------|-------------|------|---------|----------|-------------|------|------------------------|--|------|---------------------------------------|------------|-----------------------------------|-------|----------|
| △ X | DESCRIPTION | DATE | REVISED | APPROVED | ANGULAR | ±5° | DSND | | DATE | | SCALE: N/A | MODEL TYPE: X9357WV-2*06A-N2SN | | |
| | | | | | L ≤ 4 | ±0.2 | DWN | | DATE | | VIEW: | PART NO.: | | |
| | | | | | 4 < L ≤ 16 | ±0.3 | CHKD | | DATE | | UNIT: mm | 4.20mm Crimp Style connectors | | |
| | | | | | 16 < L ≤ 63 | ±0.4 | APPD | | DATE | | SIZE: A4 | DWG NO.: | | |
| MARK | | | | | L > 63 | ±0.5 | UNSPECIFIED TOLERANCES | | | XKB INDUSTRIAL PRECISION CO., LIMITED | | WEIGHT | SHEET | REVISION |
| | | | | | | | | | | | 1.0g | 1/1 | A0 | |

REVISIONS
 Authorized Signature(s)

1 2 3 4 5 6 7 8

Circuit 1 Circuit 2

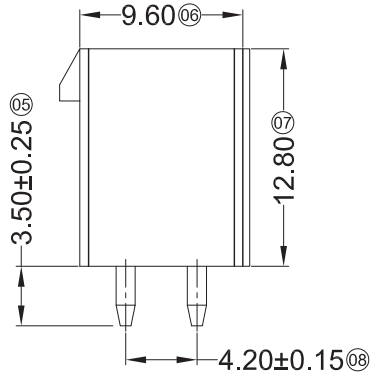
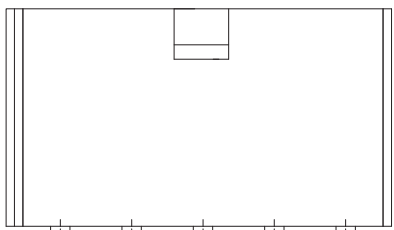


Specifications :

- Voltage rating: 600V AC / DC
- Current rating: 9A AC / DC
- Withstanding voltage: 1500V AC/minute
- Temperature range: -25°C~+85°C
- Insulation resistance: ≥100MΩ
- Contact resistance: ≤10mΩ
- After environmental testing: ≤20mΩ

X9357 W V X-2*XX X-XX XX XX
① ② ③ ④ ⑤ ⑥ ⑦ ⑧ ⑨

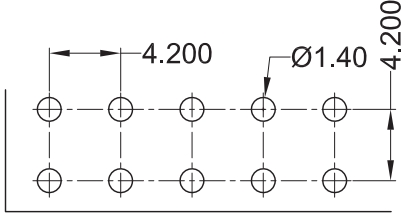
- ① Series No.
- ② Category: W-WAFER
- ③ Welding Board Angle: V-Stright 180°;
- ④ Welding Way: Blank-DIP
- ⑤ Row No.-Pin No.: 2*XX-2*01P~2*12P
- ⑥ Plug the Pin & Special No.:
G-Join The glass fiber 15%
- ⑦ Material: N0-PA66 94V-0 ; N2-PA66 94V-2
9T-PA9T 94V-0 ; 46-PA46 94V-0
- ⑧ Plating Category: SN-Bright Tin Plating
- ⑨ Color : Blank-Natural Color BK-Black GY-Gray



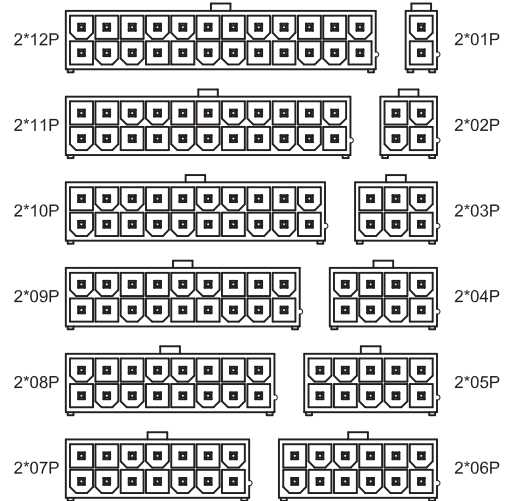
②4.20±0.15

SQ 1.14±0.05 ③

(02P~12P)B±0.30
(14P~24P)B±0.50



Recommended P.C.B Layout
General Tolerance±0.05



| Poles | Dimensions (mm) | | Poles | Dimensions (mm) | |
|-------|-----------------|-------|-------|-----------------|-------|
| | A | B | | A | B |
| 2*01 | 5.40 | -- | 2*07 | 30.60 | 25.20 |
| 2*02 | 9.60 | 4.20 | 2*08 | 34.80 | 29.40 |
| 2*03 | 13.80 | 8.40 | 2*09 | 39.00 | 33.60 |
| 2*04 | 18.00 | 12.60 | 2*10 | 43.20 | 37.80 |
| 2*05 | 22.20 | 16.80 | 2*11 | 47.40 | 42.00 |
| 2*06 | 26.40 | 21.00 | 2*12 | 51.60 | 46.20 |

| PART NO | Material | Material(Pin) | Finish(Pin) | Suitable XKB Terminal |
|---------------------|----------------------------|---------------|-------------|-----------------------|
| X9357WV-2*XX-9TSW | Nylon 9T UL 94V-0 | Brass | Matte tin | X9357H |
| X9357WV-2*XX-N2V01 | Nylon 66 UL 94V-2 | Brass | Gold-Flash | |
| X9357WV-2*XX-N2SN | Nylon 66 UL 94V-2 | Brass | Tin-Plated | |
| X9357WV-2*XXG-N2V01 | Nylon 66 UL 94V-2 GF15% | Brass | Gold-Flash | |
| X9357WV-2*XXG-N2SN | Nylon 66 UL 94V-2 GF15% | Brass | Tin-Plated | |
| | | | | |

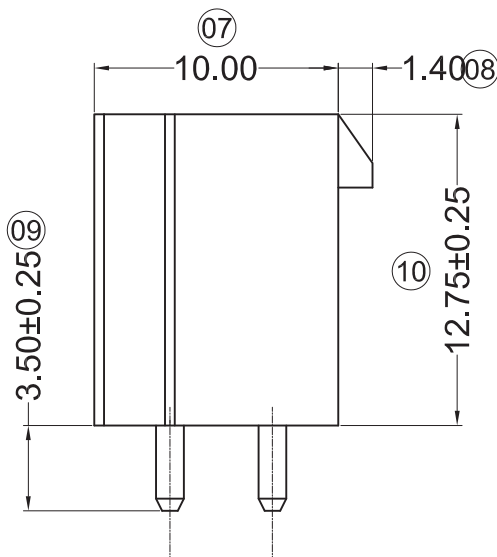
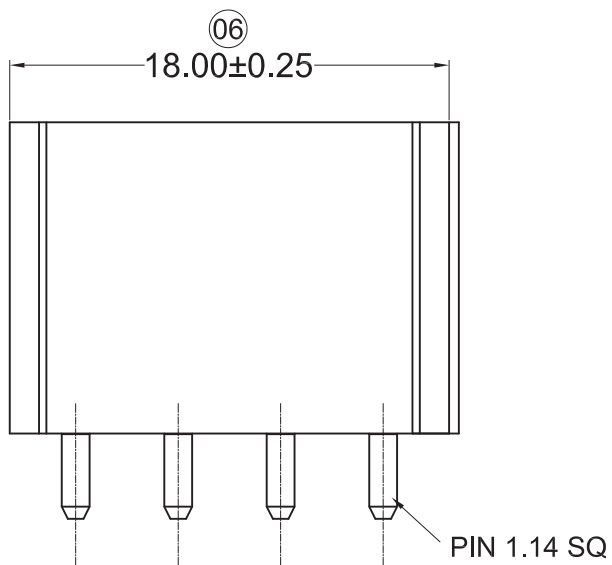
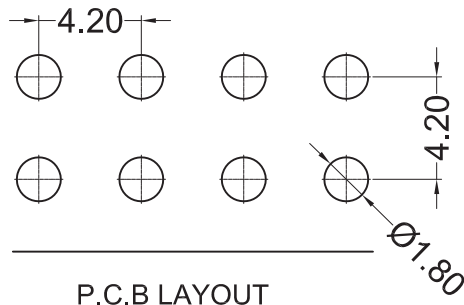
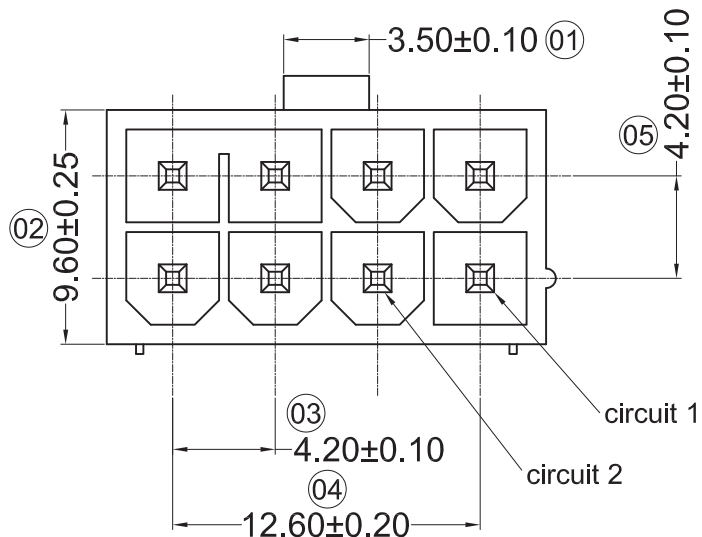
For and on behalf of
XKB INDUSTRIAL PRECISION CO., LIMITED
香港星坤工業精密有限公司

Authorized Signature(s)

| | | | |
|------|------|------------|-----------------------------------|
| DSND | DATE | SCALE: N/A | MODEL TYPE: X9357WV-2*XXX-XXXX |
| DWN | DATE | VIEW: | PART NO.: |
| CHKD | DATE | UNIT: mm | 4.20 mm Crimp Style Connectors |
| APPD | DATE | SIZE: A4 | DWG NO.: |
| | | | WEIGHT 1.0g |
| | | | SHEET 1/1 |
| | | | REVISION A0 |

XKB INDUSTRIAL PRECISION CO., LIMITED

1 2 3 4 5 6 7 8



■ Specifications :

- Voltage rating: 600V AC / DC
- Current rating: 9A AC / DC
- Withstanding voltage: 1500V AC/minute
- Temperature range: -25°C~+85°C
- Insulation resistance: ≥1000MΩ
- Contact resistance: ≤10mΩ

X9357 W V X-2*04 EH2 X - XX SN XX

- ① Series No.
 ② Category: W-wafer
 ③ Welding Board Angle: V-180°
 ④ Welding Way: Blank-DIP
 ⑤ Row No.-Pin No.: 2*XX-Double
 ⑥ Plug the Pin & Special NO.
 EH2-interlinked hole With small buckle
 F-Halogen free Black
 ⑦ Material:
 N0-PA66 94V-0 ; N2-PA66 94V-2
 ⑧ Planting Category:
 SN-Bright tin plating 70u"
 SW-Fog Tin plating
 ⑨ Color: Blank-natural color

| | | | | |
|-----------------------|-------------------------------|---------------|-------------|-----------------------|
| X9357WV-2*04EH2F-N2SN | PA66 UL 94V-2 Halogen free | Brass | Tin-Plated | X9357H |
| X9357WV-2*04EH2-N2SN | PA66 UL 94V-2 | | | |
| PART NO | Material | Material(Pin) | Finish(Pin) | Suitable XKB Terminal |

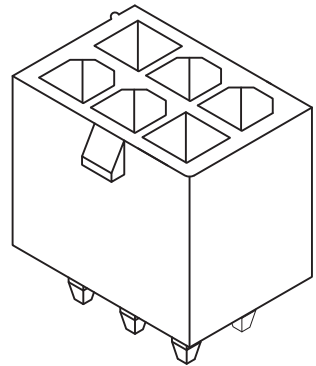
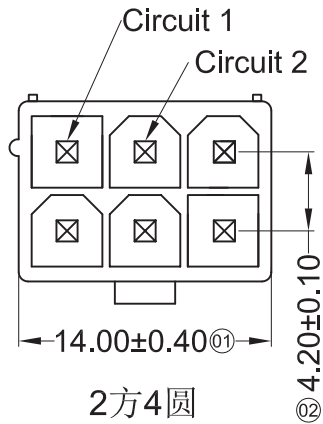
For and on behalf of
XKB INDUSTRIAL PRECISION CO., LIMITED
香港星坤工業精密有限公司

| | | | | | | |
|------|-------------|------|---------|----------|------------------------|------|
| △ X | | | | | ANGULAR | ±5° |
| △ X | | | | | L ≤ 4 | ±0.2 |
| △ X | | | | | 4 < L ≤ 16 | ±0.3 |
| MARK | DESCRIPTION | DATE | REVISED | APPROVED | 16 < L ≤ 63 | ±0.4 |
| | | | | | L > 63 | ±0.5 |
| | | | | | UNSPECIFIED TOLERANCES | |

| | | | |
|------|------|------------|--------------------------------------|
| DSND | DATE | SCALE: N/A | MODEL TYPE: X9357WV-2*04EH2X-XXSN |
| DWN | DATE | VIEW: | PART NO.: |
| CHKD | DATE | UNIT: mm | 4.20mm Crimp Style Connectors |
| APPD | DATE | SIZE: A4 | DWG NO.: |
| | | | WEIGHT |
| | | | 1.0g |
| | | | SHEET |
| | | | 1/1 |
| | | | REVISION |
| | | | A0 |

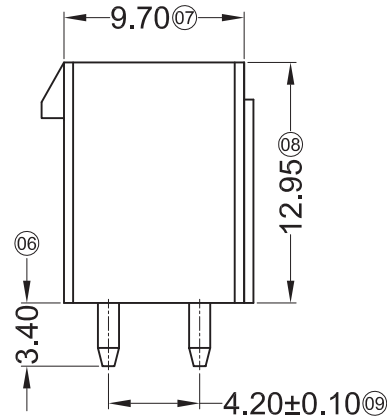
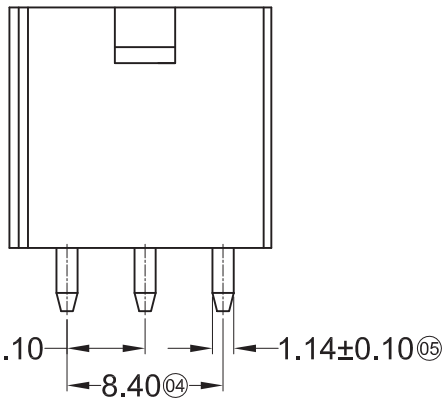
Authorized Signature(s)

XKB INDUSTRIAL PRECISION CO., LIMITED



Specifications :

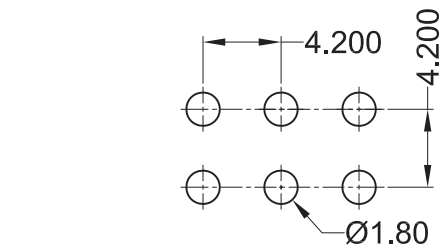
- Voltage rating: 600V AC / DC
- Current rating: 9A AC / DC
- Withstanding voltage: 1500V AC/minute
- Temperature range: -25°C~+85°C
- Insulation resistance: ≥1000MΩ
- Contact resistance: ≤10mΩ
- After environmental testing: ≤20mΩ



X9357 W V X-2*03 A-XX XX XX

① ② ③ ④ ⑤ ⑥ ⑦ ⑧ ⑨

- ① Series No.
- ② Category: W-WAFER
- ③ Welding Board Angle: V- Stright 180° ;
- ④ Welding Way: Blank-DIP
- ⑤ Row No.-Pin No.: 2*03-2*03P
- ⑥ Plug the Pin & Special No.: A-2方4圆
- ⑦ Material: N0-PA66 94V-0 ; N2-PA66 94V-2
- ⑧ Plating Category: SN-Bright Tin Plating;V01-Gold Flash
- ⑨ Color : Blank-Natural Color



Recommended P.C.B Layout
General Tolerance±0.05

| | | | | |
|---------------------|-------------------|---------------|-------------|-----------------------|
| X9357WV-2*03A-N0V01 | Nylon 66 UL 94V-0 | Brass | Gold-Flash | X9357H |
| X9357WV-2*03A-N0SN | Nylon 66 UL 94V-0 | | Tin-Plated | |
| X9357WV-2*03A-N2V01 | Nylon 66 UL 94V-2 | | Gold-Flash | |
| X9357WV-2*03A-N2SN | Nylon 66 UL 94V-2 | | Tin-Plated | |
| PART NO | Material | Material(Pin) | Finish(Pin) | Suitable XKB Terminal |

For and on behalf of
XKB INDUSTRIAL PRECISION CO., LIMITED
香港星坤工業精密有限公司

| | | | | | | | | | | | | | |
|------|-------------|------|---------|----------|--|------------------------|------|--|--|------|--------|------------|-----------------------------------|
| △ X | | | | | | ANGULAR | ±5° | DSND | | DATE | | SCALE: N/A | MODEL TYPE: X9357WV-2*03A-XXXX |
| △ X | | | | | | L ≤ 4 | ±0.2 | DWN | | DATE | | VIEW: | PART NO.: |
| △ X | | | | | | 4 < L ≤ 16 | ±0.3 | CHKD | | DATE | | UNIT: mm | 4.20 mm Crimp Style Connectors |
| MARK | DESCRIPTION | DATE | REVISED | APPROVED | | 16 < L ≤ 63 | ±0.4 | APPD | | DATE | | SIZE: A4 | DWG NO.: |
| | | | | | | L > 63 | ±0.5 | | | | | | |
| | | | | | | UNSPECIFIED TOLERANCES | | XKB INDUSTRIAL PRECISION CO., LIMITED | | | WEIGHT | SHEET | REVISION |
| | | | | | | | | | | | 1.0g | 1/1 | A0 |

Authorized Signature(s)

1 2 3 4 5 6 7 8

A

B

C

D

E

F

A

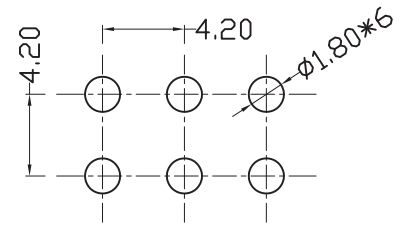
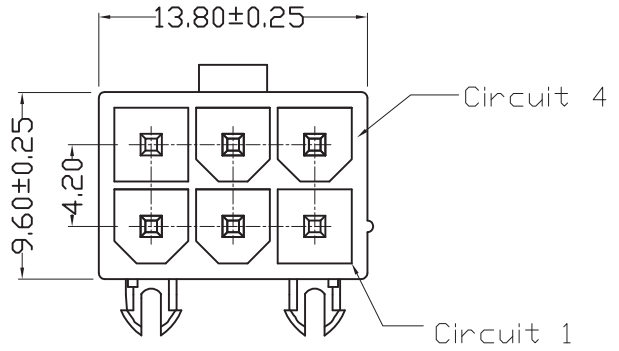
B

C

D

E

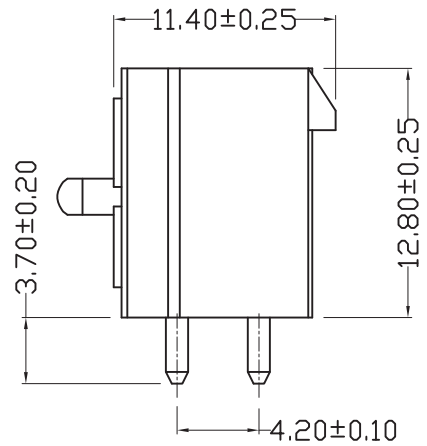
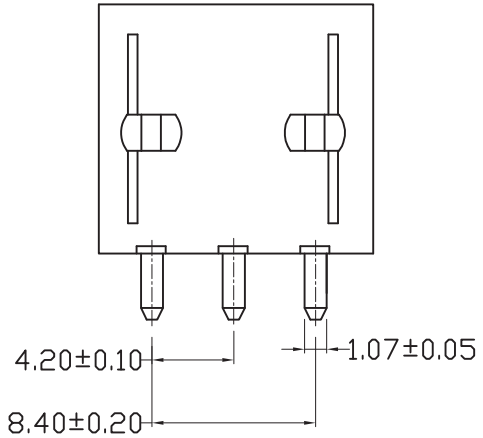
F



RECOMMEND P.C.B LAYOUT
TOP VIEW

- Specifications(规格):
- Voltage rating(额定电压): 600V AC / DC
 - Current rating(额定电流): 9A AC / DC
 - Withstanding voltage(耐压值): 1500V AC/minute
 - Temperature range(工作温度): -25°C~+85°C
 - Insulation resistance(绝缘电阻): ≥1000MΩ
 - Contact resistance(接触电阻): ≤10mΩ
 - After environmental testing(环境测试后): ≤20mΩ

- Solder Process Data (焊接过程参数):
- Duration at Max. Process Temperature(Seconds):30
 - Lead-free Process Capability: SMC & Wave Capable(TH only)
 - Max. Cycles at Max. Process Temperature: 3
 - Process Temperature max. °C: 265°C



X9357 W V X-2*03 AS- LP SN XX
① ② ③ ④ ⑤ ⑥ ⑦ ⑧ ⑨

- ①系列
- ②类别: W-WAFER类
- ③外观形态: V-180°
- ④成型方式: 空码-DIP
- ⑤PIN数: 双排-2*XX
- ⑥特殊码: AS-2方4圆, 带定位柱
- ⑦材质: LP-LCP 94V-0
- ⑧电镀类别: SN-镀亮锡(70U")
- ⑨颜色: 空码-本色或普通色

| | | | | |
|---------------------|--------------|---------------|-------------|-----------------------|
| X9357WV-2*03AS-LPSN | LCP UL 94V-0 | Brass | Tin-Plated | X9357H |
| PART NO | Material | Material(Pin) | Finish(Pin) | Suitable XKB Terminal |

For and on behalf of
XKB INDUSTRIAL PRECISION CO., LIMITED
香港星坤工業精密有限公司

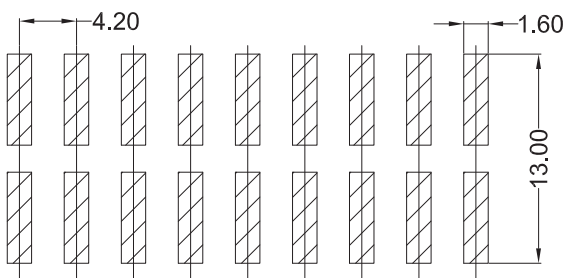
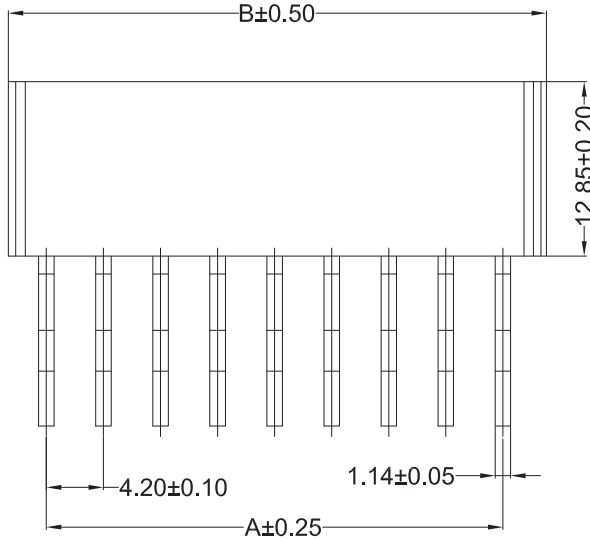
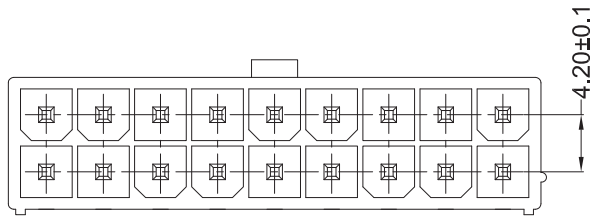
| | | | | | | |
|------|-------------|------|---------|----------|------------------------|------|
| △ X | | | | | ANGULAR | ±5° |
| △ X | | | | | L ≤ 4 | ±0.2 |
| △ X | | | | | 4 < L ≤ 16 | ±0.3 |
| MARK | DESCRIPTION | DATE | REVISED | APPROVED | 16 < L ≤ 63 | ±0.4 |
| | | | | | L > 63 | ±0.5 |
| | | | | | UNSPECIFIED TOLERANCES | |

| | | | | | |
|------|--|------|--|------------|------------------------------------|
| DSND | | DATE | | SCALE: N/A | MODEL TYPE: X9357WV-2*03AS-LPSN |
| DWN | | DATE | | VIEW: | PART NO.: |
| CHKD | | DATE | | UNIT: mm | 4.20 mm Crimp Style Connectors |
| APPD | | DATE | | SIZE: A4 | DWG NO.: |
| | | | | | WEIGHT 1.0g |
| | | | | | SHEET 1/1 |
| | | | | | REVISION A0 |

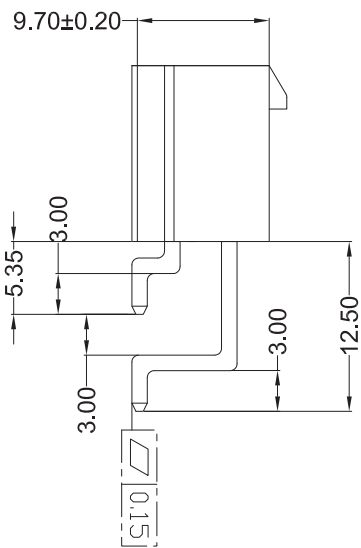
REVISIONS
Authorized Signature(s)

XKB INDUSTRIAL PRECISION CO., LIMITED

1 2 3 4 5 6 7 8



P.C.B LAYOUT



■ Specifications(规格):

- Voltage rating(额定电压): 250V AC / DC
- Current rating(额定电流): 7A AC / DC
- Withstanding voltage(耐压值): 1500V AC/minute
- Temperature range(工作温度): -25°C~+85°C
- Insulation resistance(绝缘电阻): ≥1000MΩ
- Contact resistance(接触电阻): ≤10mΩ
- After environmental testing(环境测试后): ≤20mΩ

X9357 W R S-2*XX X-XX XX XX

- ① 系列
- ② 类别: W-WAFER类
- ③ 外观形态:
R-90°(带脚式)
- ④ 成型方式:
S-SMT
- ⑤ PIN数:
双排-2*XX
- ⑥ 空码-普通规格 A-带定位柱
- ⑦ 材质:
N0-PA66 94V-0
- ⑧ 电镀类别:
SN-镀亮锡(70u")
- ⑨ 颜色:
空码-本色

| Poles | Dimensions (mm) | |
|-------|-----------------|-------|
| | A | B |
| 1 | --- | 5.60 |
| 2 | 4.20 | 9.80 |
| 3 | 8.40 | 14.00 |
| 4 | 12.60 | 18.20 |
| 5 | 16.80 | 22.40 |
| 6 | 21.00 | 26.60 |
| 7 | 25.20 | 30.80 |
| 8 | 29.40 | 35.00 |
| 9 | 33.60 | 39.20 |
| 10 | 37.80 | 43.40 |
| 11 | 42.00 | 47.60 |
| 12 | 46.20 | 51.80 |

| | | | | |
|--------------------|-------------------|---------------|------------------|-----------------------|
| X9357WRS-2*XX-N0SN | Nylon 66 UL 94V-2 | Brass | Tin-Plated | X9357H or 9357T |
| Part No | Material | Material(Pin) | Finish(Terminal) | Suitable XKB Terminal |

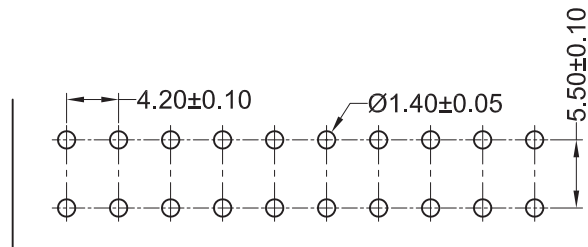
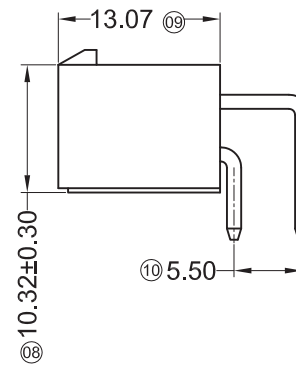
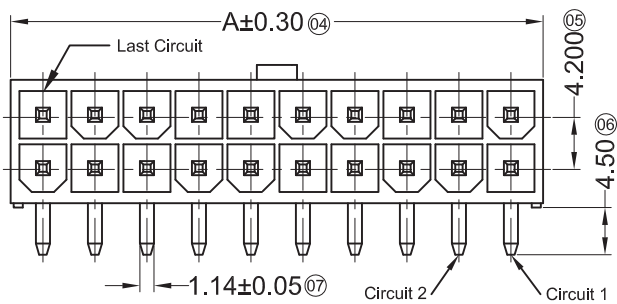
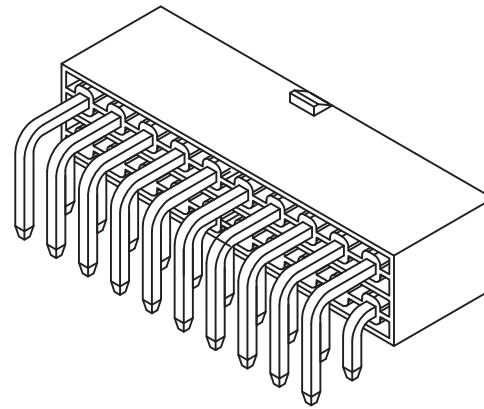
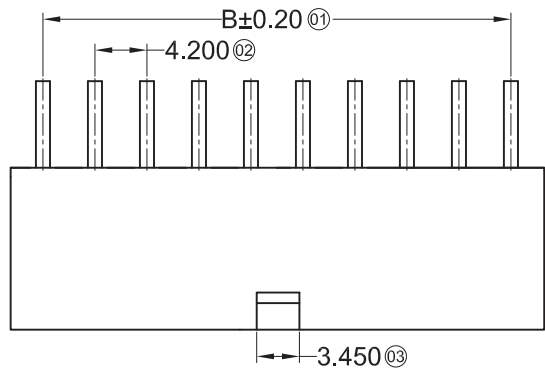
For and on behalf of
XKB INDUSTRIAL PRECISION CO., LIMITED
香港星坤工業精密有限公司

| MARK | DESCRIPTION | DATE | REVISED | APPROVED | UNSPECIFIED TOLERANCES |
|------|-------------|------|---------|----------|------------------------|
| △ X | | | | | ANGULAR ±5° |
| △ X | | | | | L ≤ 4 ±0.2 |
| △ X | | | | | 4 < L ≤ 16 ±0.3 |
| | | | | | 16 < L ≤ 63 ±0.4 |
| | | | | | L > 63 ±0.5 |

| | | | |
|------|------|------------|-----------------------------------|
| DSND | DATE | SCALE: N/A | MODEL TYPE: X9357WRS-2*XX-N0SN |
| DWN | DATE | VIEW: | PART NO.: |
| CHKD | DATE | UNIT: mm | 4.20 mm Crimp Style Connectors |
| APPD | DATE | SIZE: A4 | DWG NO.: |
| | | | WEIGHT 1.0g |
| | | | SHEET 1/1 |
| | | | REVISION A0 |

Authorized Signature(s)

XKB INDUSTRIAL PRECISION CO., LIMITED



P.C.B. HOLE DIMENSION

■ Specifications :

- Voltage rating: 600V AC / DC
- Current rating: 9A AC / DC
- Withstanding voltage: 1500V AC/minute
- Temperature range: -25°C~+85°C
- Insulation resistance: ≥1000MΩ
- Contact resistance: ≤10mΩ
- After environmental testing: ≤20mΩ

X9357 W R X-2*XX Y-XX XX XX

01 02 03 04 05 06 07 08 09

- 01 Series No.
- 02 Category: W-wafer
- 03 Welding Board Angle: R-90°
- 04 Welding Way: Blank-DIP
- 05 Row No.-Pin No.: 2*XX-Double Row
- 06 Plug the Pin & Special NO.: Y-Without gluten
- 07 Material: N0-PA66 94V-0 N2-PA66 94V-2
- 08 Planting Category:
V**-All Gold-Plated *01-Gold Flash
SN-Bright tin plating 70u"
- 09 Color: Blank-Natural color

| Poles | Dimensions(mm) | | Poles | Dimensions(mm) | |
|-------|----------------|-------|-------|----------------|-------|
| | A | B | | A | B |
| 02 | 6.05 | --- | 14 | 31.25 | 25.20 |
| 04 | 10.25 | 4.20 | 16 | 35.45 | 29.40 |
| 06 | 14.45 | 8.40 | 18 | 39.65 | 33.60 |
| 08 | 18.65 | 12.60 | 20 | 43.86 | 37.80 |
| 10 | 22.85 | 16.80 | 22 | 48.05 | 42.00 |
| 12 | 27.05 | 21.00 | 24 | 52.25 | 46.20 |

| | | | | |
|---------------------|-------------------|---------------|-------------|-----------------------|
| X9357WR-2*XXY-N0V01 | Nylon 66 UL 94V-0 | Brass | Gold-Flash | X9357H |
| X9357WR-2*XXY-N0SN | Nylon 66 UL 94V-0 | Brass | Tin-Plated | |
| X9357WR-2*XXY-N2V01 | Nylon 66 UL 94V-2 | Brass | Gold-Flash | |
| X9357WR-2*XXY-N2SN | Nylon 66 UL 94V-2 | Brass | Tin-Plated | |
| PART NO | Material | Material(Pln) | Finish(Pln) | Suitable XKB Terminal |

For and on behalf of
XKB INDUSTRIAL PRECISION CO., LIMITED
 香港星坤工業精密有限公司

| | |
|------|--|
| △ X | |
| △ X | |
| △ X | |
| MARK | |

| DESCRIPTION | DATE | REVISED | APPROVED | UNSPECIFIED TOLERANCES |
|-------------------------|------|---------|----------|------------------------|
| REVISIONS | | | | |
| Authorized Signature(s) | | | | |

| | | | |
|------|------|------------|-----------------------------------|
| DSND | DATE | SCALE: N/A | MODEL TYPE: X9357WR-2*XXY-XXXX |
| DWN | DATE | VIEW: | PART NO.: |
| CHKD | DATE | UNIT: mm | 4.20 mm Crimp Style Connectors |
| APPD | DATE | SIZE: A4 | DWG NO.: |
| | | | WEIGHT 1.0g |
| | | | SHEET 1/1 |
| | | | REVISION A0 |

XKB INDUSTRIAL PRECISION CO., LIMITED

1 2 3 4 5 6 7 8

A

B

C

D

E

F

A

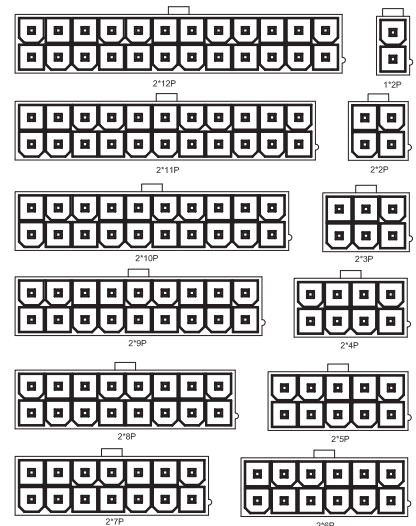
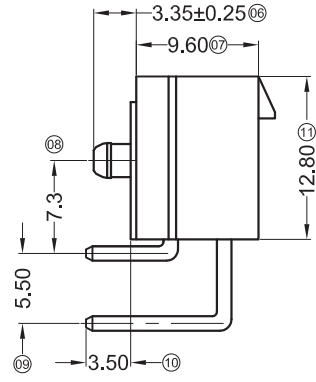
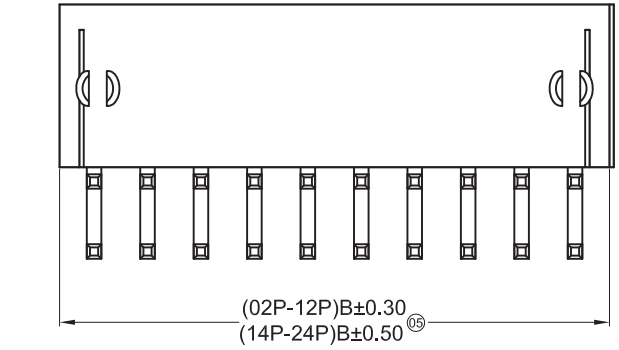
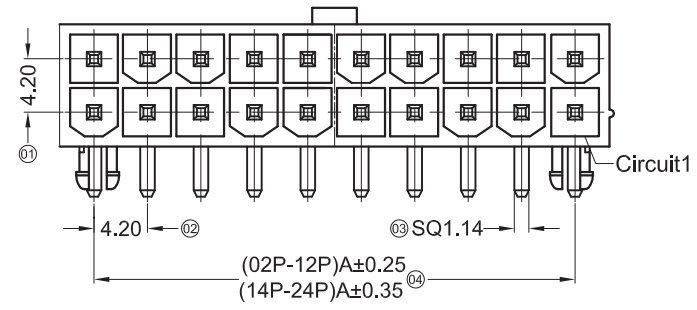
B

C

D

E

F



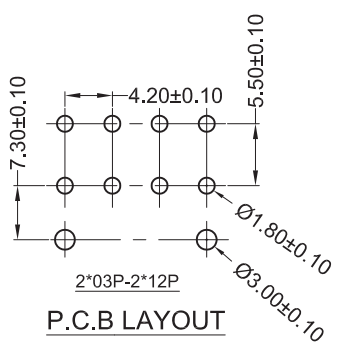
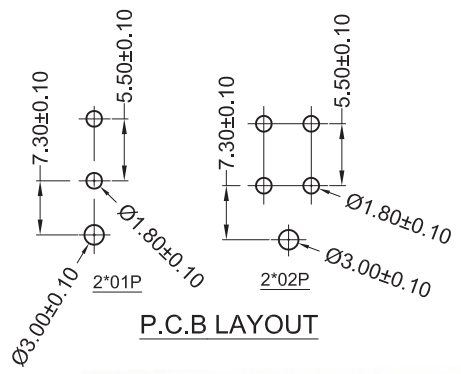
| Poles | Dimensions(mm) | |
|-------|----------------|-------|
| | A | B |
| 2*01 | --- | 5.40 |
| 2*02 | 4.20 | 9.60 |
| 2*03 | 8.40 | 13.80 |
| 2*04 | 12.60 | 18.00 |
| 2*05 | 16.80 | 22.20 |
| 2*06 | 21.00 | 26.40 |
| 2*07 | 25.20 | 30.60 |
| 2*08 | 29.40 | 34.80 |
| 2*09 | 33.60 | 39.00 |
| 2*10 | 37.80 | 43.20 |
| 2*11 | 42.00 | 47.40 |
| 2*12 | 46.20 | 51.60 |

■ Specifications :

- Voltage rating: 600V AC / DC
- Current rating: 9A AC / DC
- Withstanding voltage: 1500V AC/minute
- Temperature range: -25°C~+85°C
- Insulation resistance: ≥1000MΩ
- Contact resistance: ≤10mΩ
- After environmental testing: ≤20mΩ

X9357 W R X-2*XX SX-XX SN XX

- ⑪ Series No.
- ⑫ Category: W-wafer
- ⑬ Welding Board Angle: R-90°
- ⑭ Welding Way: Blank-DIP ;
- ⑮ Row No.-Pin No.: 2*XX-Double row
- ⑯ Special NO.
- S-With positioning column F-halogen free
- ⑰ Material: N0-PA66 94V-0 ; N2-PA66 94V-2 ; LP-LCP 94V-0
- ⑱ Planting Category: SN-Bright tin plating 70u"
- ⑳ Color: Blank-natural color
BK-BLACK BL-BLUE RE-RED



| | | | | |
|-----------------------|-----------------------------------|---------------|-------------|-----------------------|
| X9357WR-2*XXS-LPSN | LCP UL 94V-0 | Brass | Tin-Plated | X9357H |
| X9357WR-2*XXSF-N0SNBK | Nylon 66 UL 94V-0 Halogen Free | | | |
| X9357WR-2*XXS-N0SNXX | Nylon 66 UL 94V-0 | | | |
| X9357WR-2*XXS-N2SNXX | Nylon 66 UL 94V-2 | | | |
| PART NO | Material | Material(Pin) | Finish(Pin) | Suitable XKB Terminal |

For and on behalf of
XKB INDUSTRIAL PRECISION CO., LIMITED
 香港星坤工業精密有限公司

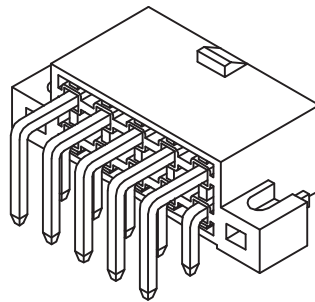
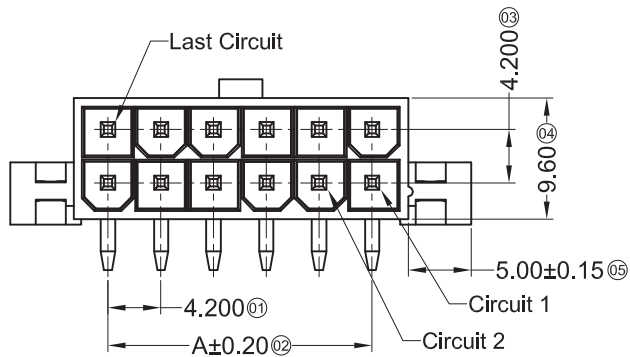
| MARK | DESCRIPTION | DATE | REVISED | APPROVED | UNSPECIFIED TOLERANCES |
|------|-------------|------|---------|----------|------------------------|
| △ X | | | | | ANGULAR ±5° |
| △ X | | | | | L ≤ 4 ±0.2 |
| △ X | | | | | 4 < L ≤ 16 ±0.3 |
| | | | | | 16 < L ≤ 63 ±0.4 |
| | | | | | L > 63 ±0.5 |

| | | | |
|------|------|------------|-----------------------------------|
| DSND | DATE | SCALE: N/A | MODEL TYPE: X9357WR-2*XXS-XXSN |
| DWN | DATE | VIEW: | PART NO.: |
| CHKD | DATE | UNIT: mm | 4.20mm Crimp Style Connectors |
| APPD | DATE | SIZE: A4 | DWG NO.: |
| | | | WEIGHT 1.0g |
| | | | SHEET 1/1 |
| | | | REVISION A0 |

Authorized Signature(s)

XKB INDUSTRIAL PRECISION CO., LIMITED

1 2 3 4 5 6 7 8



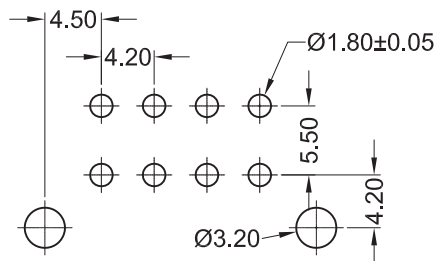
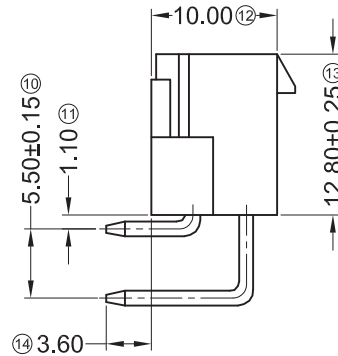
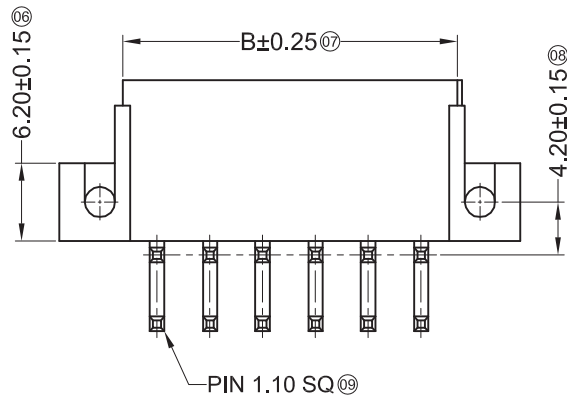
Specifications :

- Voltage rating: 600V AC / DC
- Current rating: 9A AC / DC
- Withstanding voltage: 1500V AC/minute
- Temperature range: -25°C~+85°C
- Insulation resistance: ≥1000MΩ
- Contact resistance: ≤10mΩ
- After environmental testing: ≤20mΩ

X9357 W R X-2*XX ES-XX SN XX

① ② ③ ④ ⑤ ⑥ ⑦ ⑧ ⑨

- ① Series No.
- ② Category: W-wafer
- ③ Welding Board Angle: R-Right Angle 90°
- ④ Welding Way: Blank-DIP
- ⑤ Row No.-Pin No.: 2*XX-2*01P~2*12P
- ⑥ Plug the Pin & Special No.:
ES-With Ears and Screw Holes
- ⑦ Material: N0-PA66 94V-0 ; N2-PA66 94V-2
- ⑧ Plating Category: SN-Bright tin plating
- ⑨ Color: Blank-Natural Color



Recommended P.C.B Layout
General Tolerance±0.10

| Poles | Dimensions(mm) | | Poles | Dimensions(mm) | |
|-------|----------------|-------|-------|----------------|-------|
| | A | B | | A | B |
| 2*01 | --- | 5.40 | 2*07 | 25.20 | 30.60 |
| 2*02 | 4.20 | 9.60 | 2*08 | 29.40 | 34.80 |
| 2*03 | 8.40 | 13.80 | 2*09 | 33.60 | 39.00 |
| 2*04 | 12.60 | 18.00 | 2*10 | 37.80 | 43.20 |
| 2*05 | 16.80 | 22.20 | 2*11 | 42.00 | 47.40 |
| 2*06 | 21.00 | 26.40 | 2*12 | 46.20 | 51.60 |

| | | | | |
|---------------------|-------------------|---------------|-------------|-----------------------|
| X9357WR-2*XXES-N0SN | Nylon 66 UL 94V-0 | Brass | Tin-Plated | X9357H |
| X9357WR-2*XXES-N2SN | Nylon 66 UL 94V-2 | Brass | Tin-Plated | |
| PART N0 | Material | Material(Pin) | Finish(Pin) | Suitable XKB Terminal |

For and on behalf of
XKB INDUSTRIAL PRECISION CO., LIMITED
香港星坤工業精密有限公司

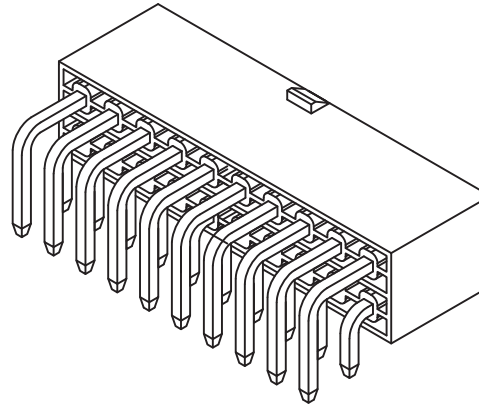
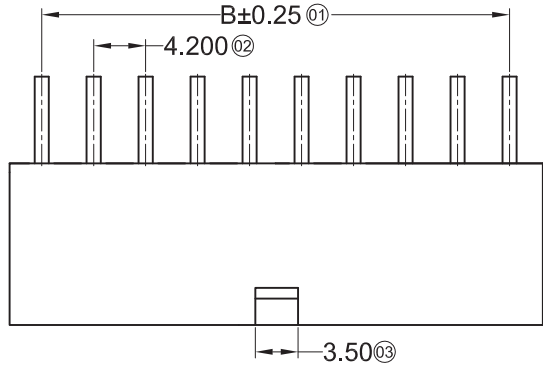
Authorized Signature(s)

| | | | |
|------|------|------------|------------------------------------|
| DSND | DATE | SCALE: N/A | MODEL TYPE: X9357WR-2*XXES-XXSN |
| DWN | DATE | VIEW: | PART NO.: |
| CHKD | DATE | UNIT: mm | 4.20 mm Crimp Style Connectors |
| APPD | DATE | SIZE: A4 | DWG NO.: |
| | | | WEIGHT 1.0g |
| | | | SHEET 1/1 |
| | | | REVISION A0 |

XKB INDUSTRIAL PRECISION CO., LIMITED

UNSPECIFIED TOLERANCES

| MARK | DESCRIPTION | DATE | REVISED | APPROVED | ANGULAR | ±5° |
|------|-------------|------|---------|----------|-------------|------|
| △ X | | | | | L ≤ 4 | ±0.2 |
| △ X | | | | | 4 < L ≤ 16 | ±0.3 |
| △ X | | | | | 16 < L ≤ 63 | ±0.4 |
| | | | | | L > 63 | ±0.5 |



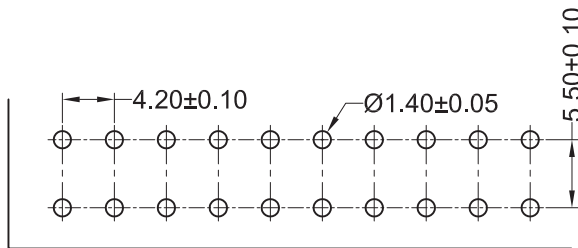
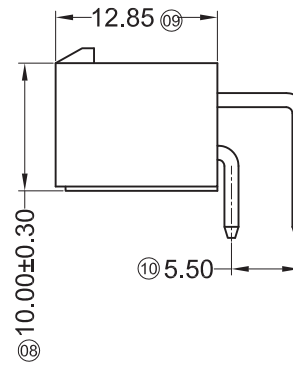
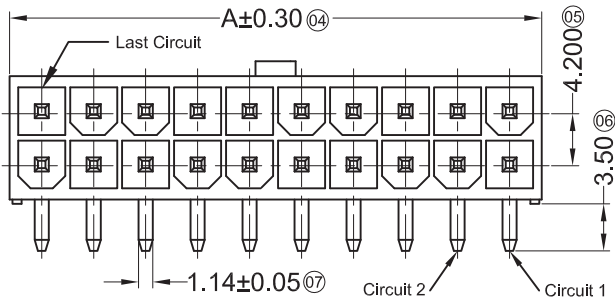
■ Specifications :

- Voltage rating: 600V AC / DC
- Current rating: 9A AC / DC
- Withstanding voltage: 1500V AC/minute
- Temperature range: -25°C~+85°C
- Insulation resistance: ≥1000MΩ
- Contact resistance: ≤10mΩ
- After environmental testing: ≤20mΩ

X9357 W R X-2*XX DF-XX XX XX

① ② ③ ④ ⑤ ⑥ ⑦ ⑧ ⑨

- ① Series No.
- ② Category: W-wafer
- ③ Welding Board Angle: R-90°
- ④ Welding Way: Blank-DIP
- ⑤ Row No.-Pin No.: 2*XX-Double Row
- ⑥ Plug the Pin & Special NO.:
D-Without gluten ; DIP=3,50mm ,F-HF
- ⑦ Material: N0-PA66 94V-0 N2-PA66 94V-2
- ⑧ Planting Category:
V**-All Gold-Plated *01-Gold Flash
SN-Bright tin plating 70u"
- ⑨ Color: Blank-Natural color ; BK-Black



P.C.B. HOLE DIMENSION

| Poles | Dimensions(mm) | | Poles | Dimensions(mm) | |
|-------|----------------|-------|-------|----------------|-------|
| | A | B | | A | B |
| 02 | 5.40 | --- | 14 | 25.20 | 30.60 |
| 04 | 9.60 | 4.20 | 16 | 29.40 | 34.80 |
| 06 | 13.80 | 8.40 | 18 | 33.60 | 39.00 |
| 08 | 18.00 | 12.60 | 20 | 37.80 | 43.20 |
| 10 | 22.20 | 16.80 | 22 | 42.00 | 47.40 |
| 12 | 26.40 | 21.00 | 24 | 46.20 | 51.60 |

| | | | | |
|------------------------|-------------------|---------------|-------------|-----------------------|
| X9357WR-2*XXD-N0V01 | Nylon 66 UL 94V-0 | Brass | Gold-Flash | X9357H |
| X9357WR-2*XXD-N0SN | Nylon 66 UL 94V-0 | Brass | Tin-Plated | |
| X9357WR-2*XXD-N2V01 | Nylon 66 UL 94V-2 | Brass | Gold-Flash | |
| X9357WR-2*XXDX-N2SNXXX | Nylon 66 UL 94V-2 | Brass | Tin-Plated | |
| PART NO | Material | Material(Pln) | Finlsh(Pln) | Suitable XKB Terminal |

For and on behalf of
XKB INDUSTRIAL PRECISION CO., LIMITED
 香港星坤工業精密有限公司

Authorized Signature(s)

| | | | |
|------|------|------------|--------------------------------------|
| DSND | DATE | SCALE: N/A | MODEL TYPE: X9357WR-2*XXD-XXXXXXX |
| DWN | DATE | VIEW: | PART NO.: |
| CHKD | DATE | UNIT: mm | 4.20 mm Crimp Style Connectors |
| APPD | DATE | SIZE: A4 | DWG NO.: |
| | | | WEIGHT 1.0g |
| | | | SHEET 1/1 |
| | | | REVISION A0 |

XKB INDUSTRIAL PRECISION CO., LIMITED

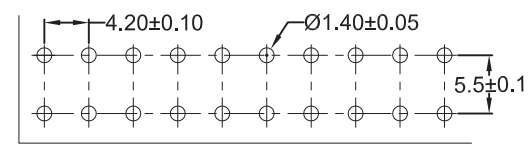
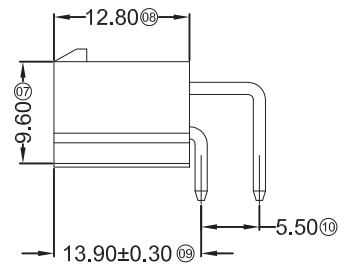
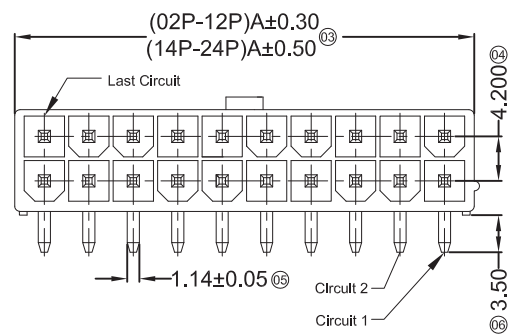
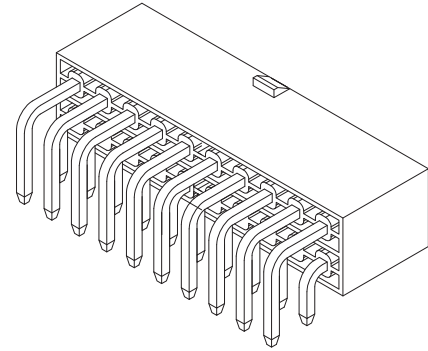
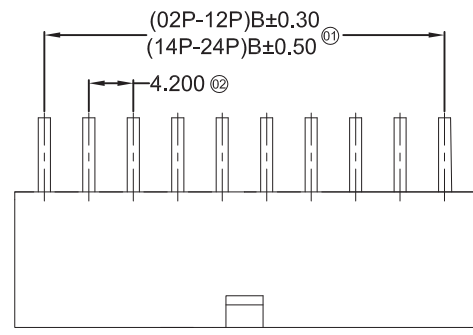
| MARK | DESCRIPTION | DATE | REVISED | APPROVED | UNSPECIFIED TOLERANCES |
|------|-------------|------|---------|----------|------------------------|
| △ X | | | | | ANGULAR ±5° |
| △ X | | | | | L ≤ 4 ±0.2 |
| △ X | | | | | 4 < L ≤ 16 ±0.3 |
| | | | | | 16 < L ≤ 63 ±0.4 |
| | | | | | L > 63 ±0.5 |

X9357 WR X - 2*XX X - XX XX XX
 ①② ③④ ⑤ ⑥ ⑦ ⑧ ⑨

■ Specifications :

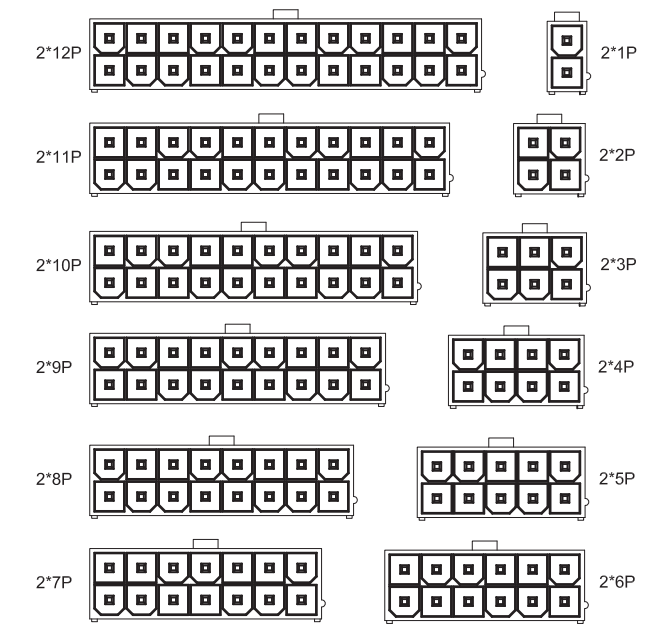
- Voltage rating: 600V AC / DC
- Current rating: 9A AC / DC
- Withstanding voltage: 1500V AC/minute
- Temperature range: -25°C~+85°C
- Insulation resistance: ≥1000MΩ
- Contact resistance: ≤10mΩ
- After environmental testing: ≤20mΩ

- ① Series No.
- ② Category: W-wafer
- ③ Welding Board Angle: R-90°
- ④ Welding Way: Blank-DIP
- ⑤ Row No.-Pin No.: 2*XX-Double
- ⑥ Plug the Pin & Special NO. : F-HF
- ⑦ Material:
N0-PA66 94V-0 ; N2-PA66 94V-2
LP-LCP 94V-0 ; 6T-PA6T 94V-0 ; 9T-PA9T 94V-0
- ⑧ Planting Category:
V:All Gold-Plated *01-Gold Flash ;
SN-Bright tin plating 70u"
- ⑨ Color:
Blank-Natural Color BK-Black



P.C.B. HOLE DIMENSION

| Poles | Dimensions(mm) | | Poles | Dimensions(mm) | |
|-------|----------------|-------|-------|----------------|-------|
| | A | B | | A | B |
| 2*01 | 5.60 | — | 2*07 | 30.80 | 25.20 |
| 2*02 | 9.80 | 4.20 | 2*08 | 35.00 | 29.40 |
| 2*03 | 14.00 | 8.40 | 2*09 | 39.20 | 33.60 |
| 2*04 | 18.20 | 12.60 | 2*10 | 43.40 | 37.80 |
| 2*05 | 22.40 | 16.80 | 2*11 | 47.60 | 42.00 |
| 2*06 | 26.60 | 21.00 | 2*12 | 51.80 | 46.20 |



| PART NO | Material | Material(Pin) | Finish(Pin) | Suitable XKB | Qty/Bag |
|-----------------------|-------------------|---------------|-------------|--------------|----------|
| X9357WR-2*XXX-N0V01XX | Nylon 66 UL 94V-0 | Brass | Gold-Flash | x 9357H | 1,000Pcs |
| X9357WR-2*XXX-N0SNXX | Nylon 66 UL 94V-0 | Brass | Tin-Plated | | |
| X9357WR-2*XXX-N2V01XX | Nylon 66 UL 94V-2 | Brass | Gold-Flash | | |
| X9357WR-2*XXX-N2SNXX | Nylon 66 UL 94V-2 | Brass | Tin-Plated | | |

For and on behalf of
XKB INDUSTRIAL PRECISION CO., LIMITED
 香港星坤工業精密有限公司

| | | | | | | | | | | | | | |
|------|-------------|------|---------|----------|--|------------------------|------|------|--|------|--|------------|-----------------------------------|
| △ X | | | | | | ANGULAR | ±5° | DSND | | DATE | | SCALE: N/A | MODEL TYPE: X9357WR-2*XXX-XXXX |
| △ X | | | | | | L ≤ 4 | ±0.2 | DWN | | DATE | | VIEW: | PART NO.: |
| △ X | | | | | | 4 < L ≤ 16 | ±0.3 | CHKD | | DATE | | UNIT: mm | 4.20mm Crimp Style Connectors |
| MARK | DESCRIPTION | DATE | REVISED | APPROVED | | 16 < L ≤ 63 | ±0.4 | APPD | | DATE | | SIZE: A4 | DWG NO.: |
| | | | | | | L > 63 | ±0.5 | | | | | | |
| | | | | | | UNSPECIFIED TOLERANCES | | | | | | | WEIGHT |
| | | | | | | | | | | | | | 1.0g |
| | | | | | | | | | | | | | SHEET |
| | | | | | | | | | | | | | 1/1 |
| | | | | | | | | | | | | | REVISION |
| | | | | | | | | | | | | | A0 |

XKB INDUSTRIAL PRECISION CO., LIMITED

Authorized Signature(s)

1 2 3 4 5 6 7 8

A

B

C

D

E

F

A

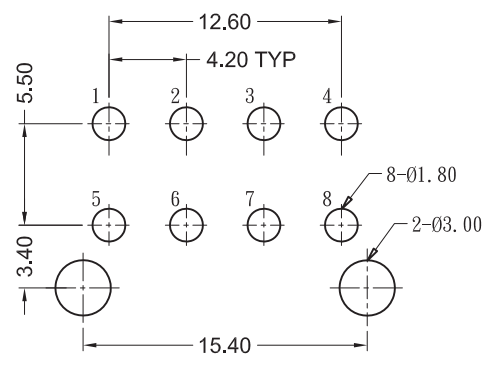
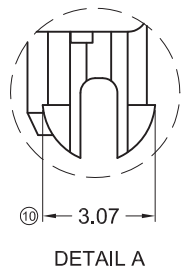
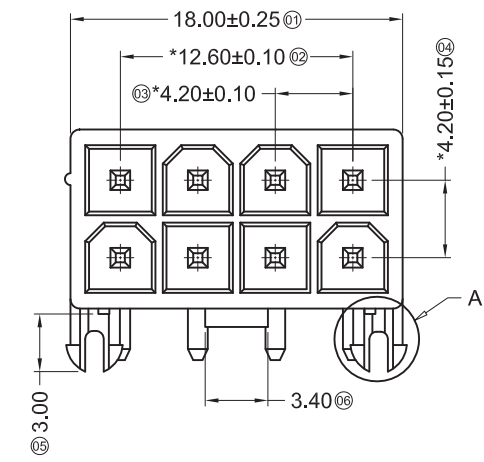
B

C

D

E

F



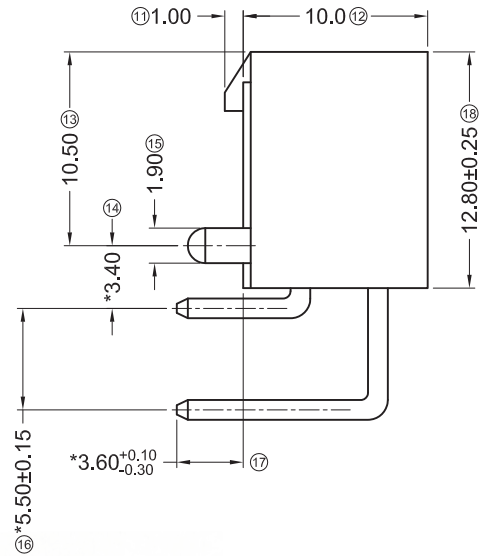
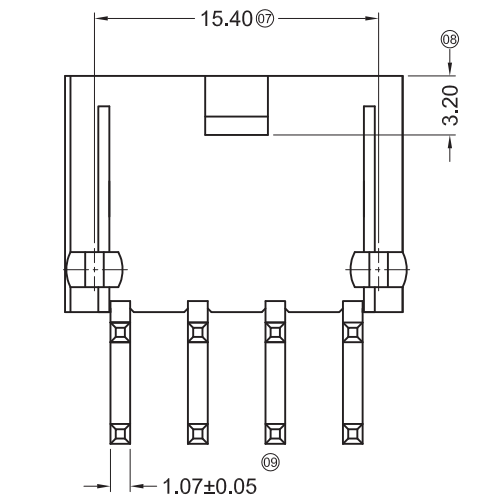
RECOMMEND P. C. B LAYOUT
TOLERANCE: ±0.05

■ Specifications(规格):

- Voltage rating(额定电压): 600V AC / DC
- Current rating(额定电流): 9A AC / DC
- Withstanding voltage(耐压值): 1500V AC/minute
- Temperature range(工作温度): -25°C~+85°C
- Insulation resistance(绝缘电阻): ≥1000MΩ
- Contact resistance(接触电阻): ≤10mΩ
- After environmental testing(环境测试后): ≤20mΩ
- Mark "*" Indicate Dimensions Need To Controlled In Emphasis(带 "*" 标记表示尺寸需要重点控制)

X9357 W R X-2*04 SE2 -XX XX XX
① ② ③ ④ ⑤ ⑥ ⑦ ⑧ ⑨

- ① 系列
- ② 类别: W-WAFER类
- ③ 外观形态: R- Right Angle 90°
- ④ 成型方式: S-SMT
- ⑤ PIN数: 2*04-2*04P
- ⑥ 特殊码: SE2-连孔带柱, 反扣
- ⑦ 材质: N0-PA66 94V-0 ; LP-LCP 94V-0
- ⑧ 电镀类别: SW-镀雾锡; SN-镀亮锡
- ⑨ 颜色: 空码-本色



| | | | | |
|----------------------|---------------|---------------|-------------------|--------------|
| X9357WR-2*04SE2-LPSN | LCP UL 94V-0 | Brass | Tin Plating | X9357H |
| X9357WR-2*04SE2-N0SW | PA66 UL 94V-0 | | Matte tin Plating | |
| PART NO | Material | Material(Pin) | Finish(Pin) | Suitable XKB |

For and on behalf of
XKB INDUSTRIAL PRECISION CO., LIMITED
香港星坤工業精密有限公司

| | | | | | | |
|------|-------------|------|---------|----------|------------------------|------|
| △ X | | | | | ANGULAR | ±5° |
| △ X | | | | | L ≤ 4 | ±0.2 |
| △ X | | | | | 4 < L ≤ 16 | ±0.3 |
| MARK | DESCRIPTION | DATE | REVISED | APPROVED | 16 < L ≤ 63 | ±0.4 |
| | | | | | L > 63 | ±0.5 |
| | | | | | UNSPECIFIED TOLERANCES | |

| | | | | | | | |
|------|--|------|--|------------|-------------------------------------|-------|----------|
| DSND | | DATE | | SCALE: N/A | MODEL TYPE: X9357WR-2*04SE2-XXXX | | |
| DWN | | DATE | | VIEW: | PART NO.: | | |
| CHKD | | DATE | | UNIT: mm | 4.20 mm Crimp Style Connectors | | |
| APPD | | DATE | | SIZE: A4 | DWG NO.: | | |
| | | | | | WEIGHT | SHEET | REVISION |
| | | | | | 1.0g | 1/1 | A0 |

XKB INDUSTRIAL PRECISION CO., LIMITED

1 2 3 4 5 6 7 8

1 2 3 4 5 6 7 8

A

B

C

D

E

F

A

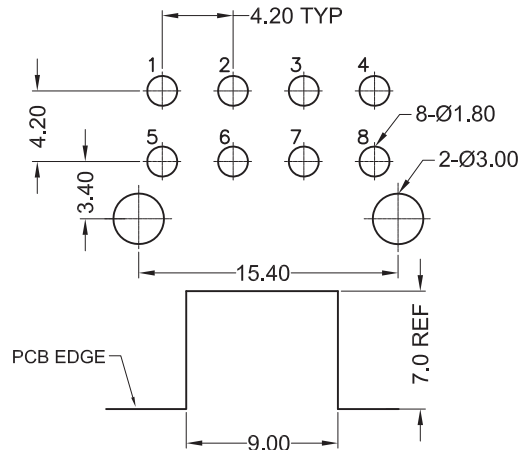
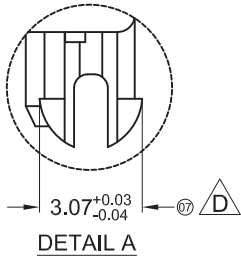
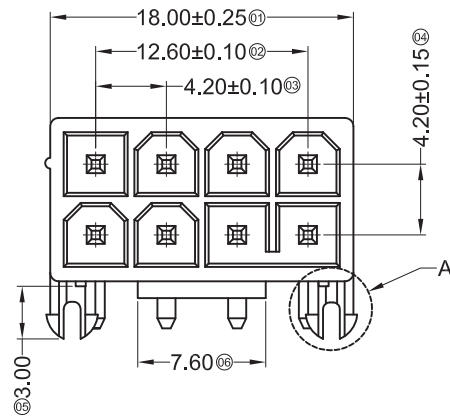
B

C

D

E

F



Recommended P.C.B Layout
General Tolerance±0.05

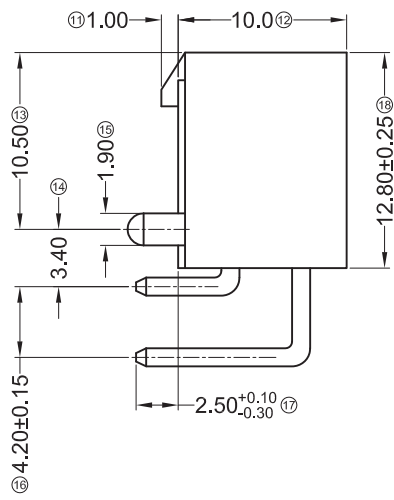
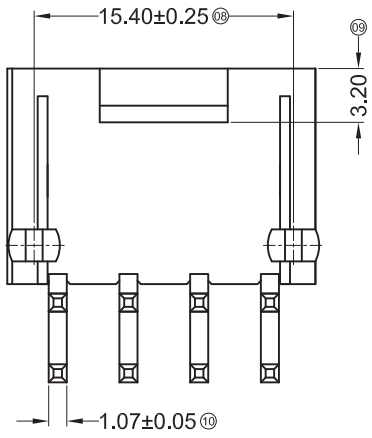
Specifications :

- Voltage rating: 600V AC / DC
- Current rating: 9A AC / DC
- Withstanding voltage: 1500V AC/minute
- Temperature range: -25°C~+85°C
- Insulation resistance: ≥1000MΩ
- Contact resistance: ≤10mΩ
- After environmental testing: ≤20mΩ

X9357 W R X-2*04 FH-LP SW XX

① ② ③ ④ ⑤ ⑥ ⑦ ⑧ ⑨

- ① Series No.
- ② Category: W-wafer
- ③ Welding Board Angle: R- Right Angle 90°
- ④ Welding Way: Blank-DIP
- ⑤ Row No.-Pin No.: 2*04-2*04P
- ⑥ Plug the Pin & Special No.:
FH-Mounting peg with linked holes,
With Post, Reversrd Lock,
- ⑦ Material: LP-LCP 94V-0
- ⑧ Planting Category: SW-Matte tin plating
- ⑨ Color: Blank-Natural Color Black



| | | | | |
|---------------------|-----------------------------|---------------|-----------------|-----------------------|
| X9357WR-2*04FH-LPSW | LCP UL 94V-0 (halogen free) | Brass | MatteTin-Plated | X9357H |
| PART NO | Material | Material(Pin) | Finish(Pin) | Suitable XKB Terminal |

For and on behalf of
XKB INDUSTRIAL PRECISION CO., LIMITED
香港星坤工業精密有限公司

Authorized Signature(s)

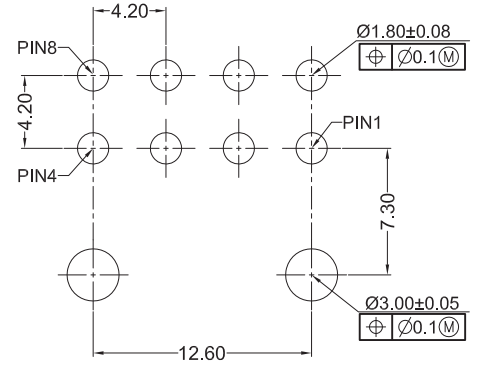
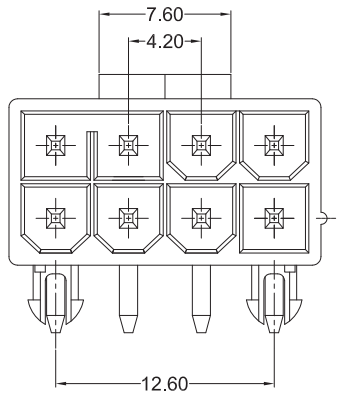
| | | | |
|------|------|------------|------------------------------------|
| DSND | DATE | SCALE: N/A | MODEL TYPE: X9357WR-2*04FH-LPSW |
| DWN | DATE | VIEW: | PART NO.: |
| CHKD | DATE | UNIT: mm | 4.20 mm Crimp Style Connectors |
| APPD | DATE | SIZE: A4 | DWG NO.: |
| | | WEIGHT | SHEET |
| | | 1.0g | 1/1 |
| | | REVISION | |
| | | A0 | |

| | | | | | | |
|------|-------------|------|---------|----------|------------------------|------|
| △ X | | | | | ANGULAR | ±5° |
| △ X | | | | | L ≤ 4 | ±0.2 |
| △ X | | | | | 4 < L ≤ 16 | ±0.3 |
| MARK | DESCRIPTION | DATE | REVISED | APPROVED | 16 < L ≤ 63 | ±0.4 |
| | | | | | L > 63 | ±0.5 |
| | | | | | UNSPECIFIED TOLERANCES | |

1 2 3 4 5 6 7 8

1 2 3 4 5 6 7 8

A



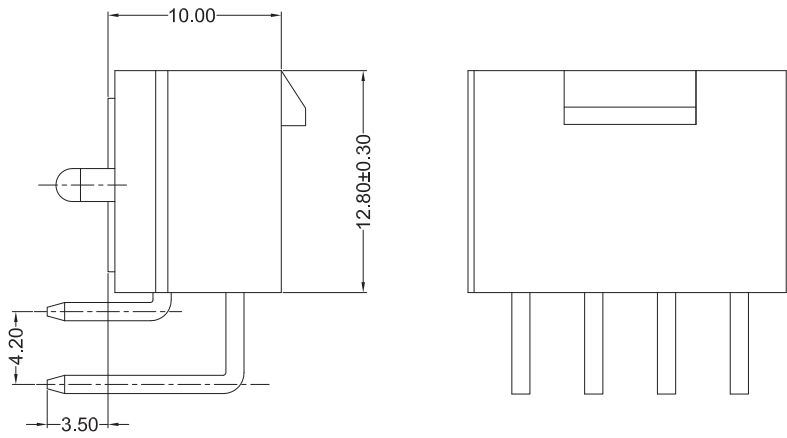
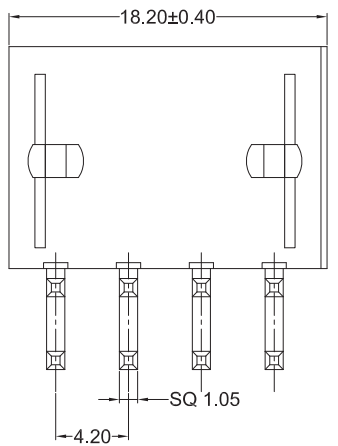
RECOMMENDED P.C.B. HOLE LAYOUT
(TOLERANCE:±0.05)

- Specifications(规格):
- Voltage rating(额定电压): 600V AC / DC
 - Current rating(额定电流): 9A AC / DC
 - Withstanding voltage(耐压值): 1500V AC/minute
 - Temperature range(工作温度): -25°C~+85°C
 - Insulation resistance(绝缘电阻): ≥1000MΩ
 - Contact resistance(接触电阻): ≤10mΩ
 - After environmental testing(环境测试后): ≤20mΩ

X9357 W R X-2*04 EH-XX SX XX
① ② ③ ④ ⑤ ⑥ ⑦ ⑧ ⑨

- ① 系列
- ② 类别: W-WAFER类
- ③ 外观形态:
V-180° R-90°(带脚式)
- ④ 成型方式:
空码-DIP S-SMT W-公母连体
- ⑤ PIN数:
单排-XX 双排-2*XX
- ⑥ 特殊码:
EH-连孔带定位柱
- ⑦ 材质:
N2-PA66 LP-LCP 94V-2 94V-0
- ⑧ 电镀类别:
SW-镀雾锡 SN-镀亮锡(70U")
- ⑨ 颜色:
空码-本色或普通色

C



D

E

| | | | | |
|---------------------|-------------------|---------------|-----------------|-----------------------|
| X9357WR-2*04EH-LPSN | LCP UL 94V-0 | Brass | Tin-Plated | X9357H |
| X9357WR-2*04EH-N2SW | Nylon 66 UL 94V-2 | Brass | Tin Plating Fog | X9357H |
| PART NO | Material | Material(Pin) | Flnsh(PIn) | Suitable XKB Terminal |

For and on behalf of
XKB INDUSTRIAL PRECISION CO., LIMITED
香港星坤工業精密有限公司

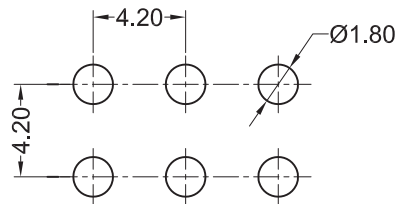
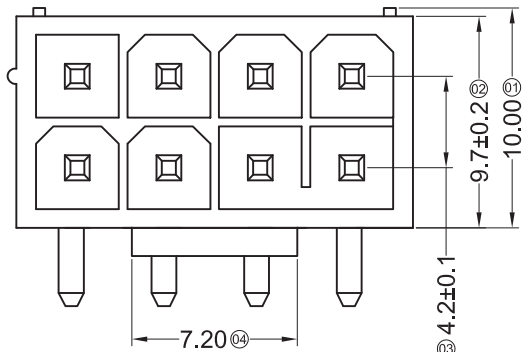
F

| | | | | | | |
|------|-------------|------|---------|----------|------------------------|------|
| △ X | | | | | ANGULAR | ±5° |
| △ X | | | | | L ≤ 4 | ±0.2 |
| △ X | | | | | 4 < L ≤ 16 | ±0.3 |
| MARK | DESCRIPTION | DATE | REVISED | APPROVED | 16 < L ≤ 63 | ±0.4 |
| | | | | | L > 63 | ±0.5 |
| | | | | | UNSPECIFIED TOLERANCES | |

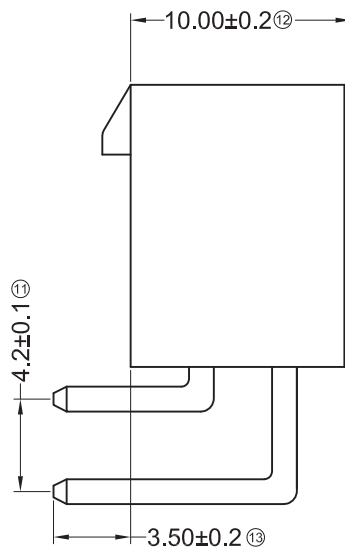
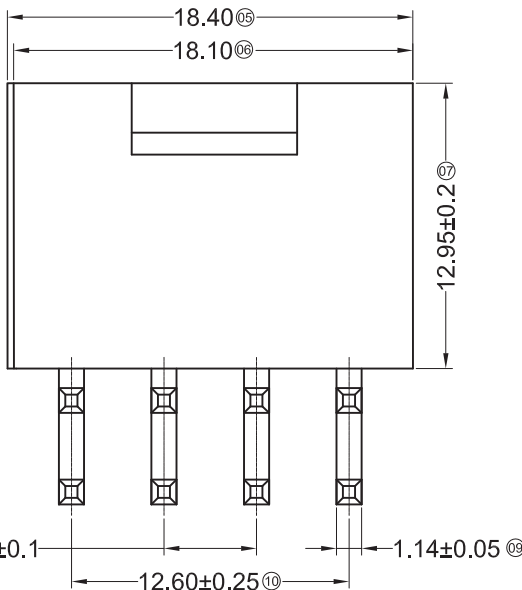
| | | | | | | |
|------|--|------|--|------------|------------------------------------|----------|
| DSND | | DATE | | SCALE: N/A | MODEL TYPE: X9357WR-2*04EH-XXXX | |
| DWN | | DATE | | VIEW: | PART NO.: | |
| CHKD | | DATE | | UNIT: mm | 4.20 mm Crimp Style Connectors | |
| APPD | | DATE | | SIZE: A4 | DWG NO.: | |
| | | | | WEIGHT | SHEET | REVISION |
| | | | | 1.0g | 1/1 | A0 |

XKB INDUSTRIAL PRECISION CO., LIMITED

1 2 3 4 5 6 7 8



P.C.B LAYOUT



Specifications :

- Voltage rating: 600V AC / DC
- Current rating: 9A AC / DC
- Withstanding voltage: 1500V AC/minute
- Temperature range: -25°C~+85°C
- Insulation resistance: ≥1000MΩ
- Contact resistance: ≤10mΩ
- After environmental testing: ≤20mΩ

X9357 W R X-2*04 CP- N2 SN XX

① ② ③ ④ ⑤ ⑥ ⑦ ⑧ ⑨

- ① Series No.
- ② Category: W-Wafer
- ③ Welding Board Angle: R-90°
- ④ Welding Way: Blank-DIP
- ⑤ Row No.-Pin No.: 2*04-Double Row
- ⑥ Plug the Pin & Special NO.
CP-the 7P-8P Connected Without the Positioning Column
- ⑦ Material: N2-PA66 94V-2
- ⑧ Planting Category:
SN-Bright tin plating 70u"
SW-Fog Tin plating
- ⑨ Color: Blank-natural color

| | | | | |
|---------------------|-------------------|---------------|-------------|-----------------------|
| X9357WR-2*04CP-N2SN | Nylon 66 UL 94V-2 | Brass | Tin-Plated | X9357H |
| PART NO | Material | Material(Pin) | Finish(Pin) | Suitable XKB Terminal |

For and on behalf of
XKB INDUSTRIAL PRECISION CO., LIMITED
 香港星坤工業精密有限公司

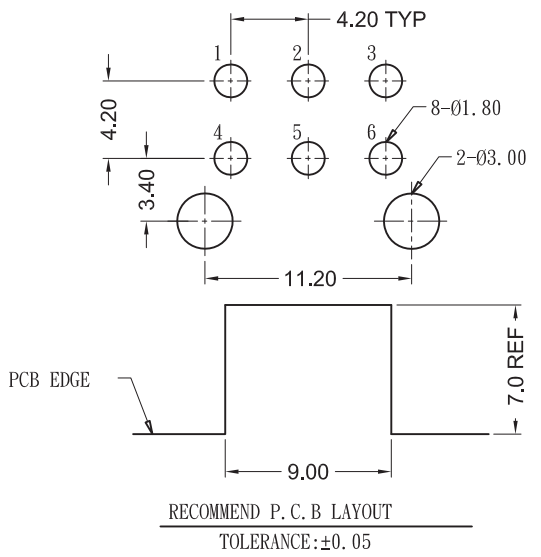
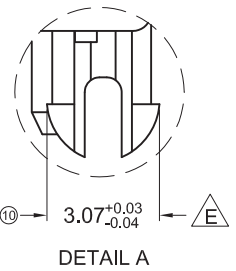
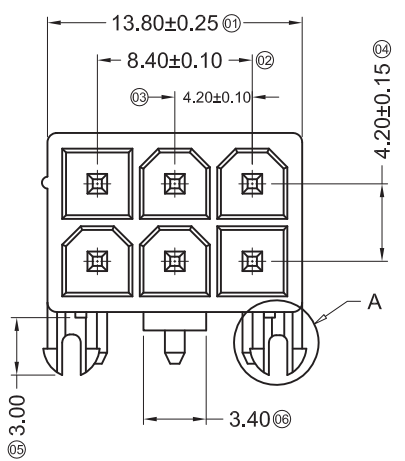
Authorized Signature(s)

| | | | |
|------|------|------------|------------------------------------|
| DSND | DATE | SCALE: N/A | MODEL TYPE: X9357WR-2*04CP-N2SN |
| DWN | DATE | VIEW: | PART NO.: |
| CHKD | DATE | UNIT: mm | 4.20 mm Crimp Style Connectors |
| APPD | DATE | SIZE: A4 | DWG NO.: |
| | | | WEIGHT |
| | | | 1.0g |
| | | | SHEET |
| | | | 1/1 |
| | | | REVISION |
| | | | A0 |

XKB INDUSTRIAL PRECISION CO., LIMITED

1 2 3 4 5 6 7 8

A

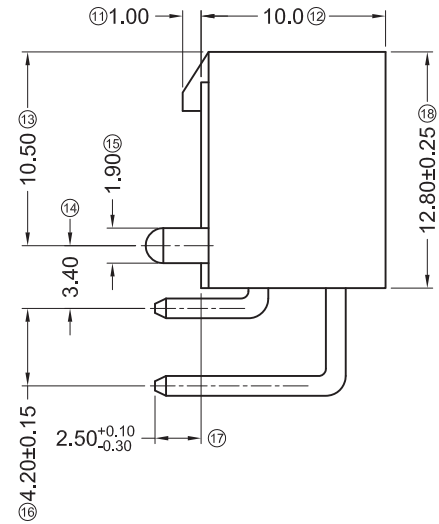
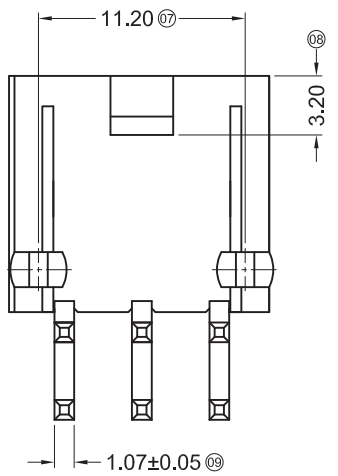


- Specifications :
- Voltage rating: 600V AC / DC
 - Current rating: 9A AC / DC
 - Withstanding voltage: 1500V AC/minute
 - Temperature range: -25°C~+85°C
 - Insulation resistance: ≥1000MΩ
 - Contact resistance: ≤10mΩ
 - After environmental testing: ≤20mΩ

X9357 W R X-2*03 SE-LP SW XX
 ① ② ③ ④ ⑤ ⑥ ⑦ ⑧ ⑨

- ① Series No.
- ② Category: W-wafer
- ③ Welding Board Angle: R- Right Angle 90°
- ④ Welding Way: Blank-DIP
- ⑤ Row No.-Pin No.: 2*03-2*03P
- ⑥ Plug the Pin & Special No.: SE-With Post, Reversd Lock, the 5th Pin Foolproof
- ⑦ Material: LP-LCP 94V-0
- ⑧ Plating Category: SW-Matte tin plating
- ⑨ Color: Blank-Natural Color Black

C



| | | | | |
|---------------------|--------------|---------------|-------------------|-----------------------|
| X9357WR-2*03SE-LPSW | LCP UL 94V-0 | Brass | Matte tin Plating | X9357H |
| PART NO | Material | Material(Pin) | Finish(Pin) | Suitable XKB Terminal |

For and on behalf of
XKB INDUSTRIAL PRECISION CO., LIMITED
 香港星坤工業精密有限公司

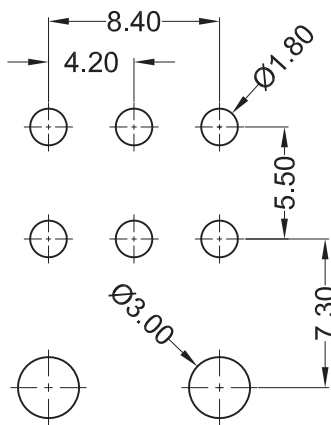
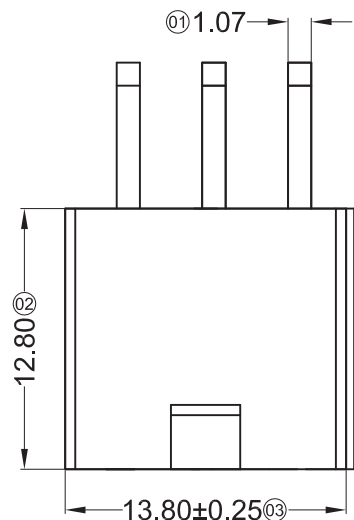
F

| | | | | | | |
|------|-------------|------|---------|----------|------------------------|------|
| △ X | | | | | ANGULAR | ±5° |
| △ X | | | | | L ≤ 4 | ±0.2 |
| △ X | | | | | 4 < L ≤ 16 | ±0.3 |
| MARK | DESCRIPTION | DATE | REVISED | APPROVED | 16 < L ≤ 63 | ±0.4 |
| | | | | | L > 63 | ±0.5 |
| | | | | | UNSPECIFIED TOLERANCES | |

| | | | | | | |
|------|--|------|--|------------|------------------------------------|----------|
| DSND | | DATE | | SCALE: N/A | MODEL TYPE: X9357WR-2*03SE-LPSW | |
| DWN | | DATE | | VIEW: | PART NO.: | |
| CHKD | | DATE | | UNIT: mm | 4.20 mm Crimp Style Connector: | |
| APPD | | DATE | | SIZE: A4 | DWG NO.: | |
| | | | | WEIGHT | SHEET | REVISION |
| | | | | 1.0g | 1/1 | A0 |

XKB INDUSTRIAL PRECISION CO., LIMITED

1 2 3 4 5 6 7 8



Recommended P.C.B Layout
General Tolerance±0.05

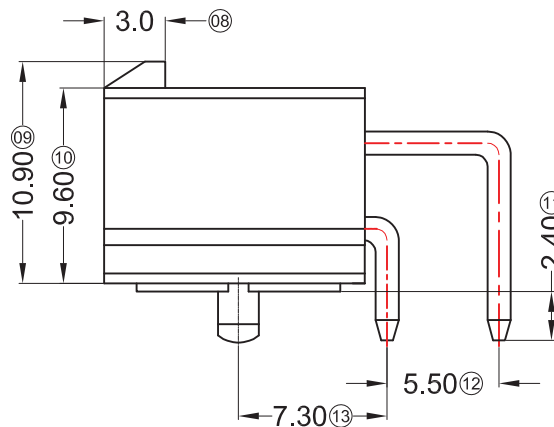
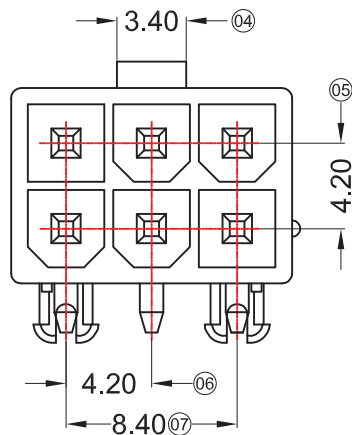
■ Specifications :

- Voltage rating: 600V AC / DC
- Current rating: 9A AC / DC
- Withstanding voltage: 1500V AC/minute
- Temperature range: -25°C~+85°C
- Insulation resistance: ≥1000MΩ
- Contact resistance: ≤10mΩ
- After environmental testing: ≤20mΩ

X9357 W R X-2*03 SB1-9T SW XX

① ② ③ ④ ⑤ ⑥ ⑦ ⑧ ⑨

- ① 系列
- ② 类别: W-Wafer
- ③ 外观形态: R- Right Angle 90°
- ④ 成型方式: 空码-DIP
- ⑤ PIN数: 2*03-2*03P
- ⑥ 空码位置及特殊码:
SB1-带定位柱、第五PIN防呆, 插板2.40mm
- ⑦ 材质: 9T-PA9T 94V-0
- ⑧ 电镀类别: SW-镀雾锡
- ⑨ 颜色: 空码-黑色



| | | | | |
|----------------------|-------------------|---------------|-------------|-----------------------|
| X9357WR-2*03SB1-9TSW | Nylon 9T UL 94V-0 | Brass | Matte tin | X9357H |
| PART NO | Material | Material(Pin) | Finish(Pin) | Suitable XKB Terminal |

For and on behalf of
XKB INDUSTRIAL PRECISION CO., LIMITED
香港星坤工業精密有限公司

| | |
|------|--|
| △ X | |
| △ X | |
| △ X | |
| MARK | |

| DESCRIPTION | DATE | REVISED | APPROVED |
|-------------|------|---------|----------|
|-------------|------|---------|----------|

REVISIONS
Authorized Signature(s)

| | |
|------------------------|------|
| ANGULAR | ±5° |
| L ≤ 4 | ±0.2 |
| 4 < L ≤ 16 | ±0.3 |
| 16 < L ≤ 63 | ±0.4 |
| L > 63 | ±0.5 |
| UNSPECIFIED TOLERANCES | |

| | | | |
|------|------|------------|-------------------------------------|
| DSND | DATE | SCALE: N/A | MODEL TYPE: X9357WR-2*03SB1-9TSW |
| DWN | DATE | VIEW: | PART NO.: |
| CHKD | DATE | UNIT: mm | 4.20 mm Crimp Style Connectors |
| APPD | DATE | SIZE: A4 | DWG NO.: |
| | | WEIGHT | SHEET |
| | | 1.0g | 1/1 |
| | | REVISION | |
| | | A0 | |

XKB INDUSTRIAL PRECISION CO., LIMITED

X-ON Electronics

Largest Supplier of Electrical and Electronic Components

Click to view similar products for [Headers & Wire Housings](#) category:

Click to view products by [XKB](#) manufacturer:

Other Similar products are found below :

[57102-F02-18ULF](#) [58102-G61-06LF](#) [0009485154](#) [009176003701906](#) [0050291907](#) [02.125.8002.8](#) [609-3404](#) [61062-3](#) [622-0430](#) [622-3653LF](#)
[63453-116](#) [636-1030](#) [636-1427](#) [636-3427](#) [636-4007](#) [641938-9](#) [644827-2](#) [65495-038](#) [65692-001LF](#) [65781-018](#) [65781-047](#) [65817-010LF](#)
[65817-015LF](#) [66207-023LF](#) [67016-026LF](#) [67095-007LF](#) [68631-112](#) [68645-018](#) [68648-049](#) [699319-000](#) [70.362.1628.0](#) [70-4210](#) [70-4226B](#)
[70-4853B](#) [707-5020](#) [707-5028](#) [71.350.2428.0](#) [71961-016LF](#) [733-134](#) [754199-000](#) [760-3052](#) [787-8014-00](#) [FCN-367T-T012/H](#) [80.063.4001.1](#)
[800-90-010-10-002000](#) [801-43-002-10-013000](#) [801-43-006-10-002000](#) [803-41-018-10-001000](#) [803-43-014-20-001000](#) [803-43-024-10-001000](#)